

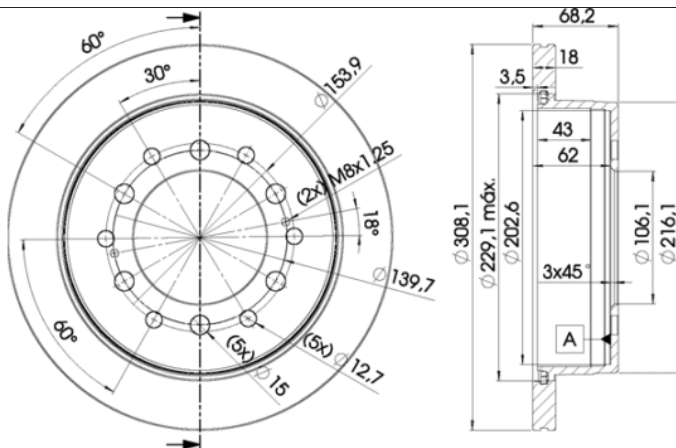
LISTA DE APLICACIONES - BUYERS GUIDE

78BD2919-2



Weight: 12.796

O.E.M.	MAKE
42431-60130	TOYOTA
42431-60190	TOYOTA
42431-60200	TOYOTA
42431-60201	LEXUS
42431-60270	LEXUS



78BD2919-2

E1 90R-02C0656/0121



Ø312x18x68.3

MAKE
LANDWIND (JMC)
LEXUS
TOYOTA
TOYOTA (FAW)



Trac.	CC	Kw	CV
-------	----	----	----



Front / Rear

LANDWIND (JMC)

X9 01.02-							Closed Off-Road Vehicle ()		
2.0	Gasolina	RWD	1997	84	114	01.03-12.13		■	
2.4	Gasolina	RWD	2351	92	125	12.02-12.08		■	
2.4 A las 4 ruedas	Gasolina	4WD	2351	92	125	12.02-12.14		■	
2.8 TD	Diesel	RWD	2771	62	84	01.06-12.08		■	
2.8 TD A las 4 ruedas	Diesel	4WD	2771	62	84	01.06-12.08		■	
2.8 TD	Diesel	RWD	2771	68	91	12.02-12.06		■	
2.8 TD A las 4 ruedas	Diesel	4WD	2771	68	91	12.02-12.06		■	

LEXUS

GX (J12) 11.01-12.09							SUV (Executive SUV-J Segment)		
470 4WD (2UZ-FE)	Gasolina	4WD	4663	196	267	09.05-11.09		■	
470 (UZJ120) (2UZ-FE)	Gasolina	4WD	4664	175	238	11.01-11.09		■	
470 (UZJ120) (2UZ-FE)	Gasolina	4WD	4664	199	271	11.01-11.09		■	

TOYOTA

4RUNNER IV (N21) 08.02-12.09							SUV (Executive SUV-J Segment)		
4.0 (GRN210) (1GR-FE)	Gasolina	RWD	3956	174	237	09.05-09.09		■	
4.0 (GRN215) (1GR-FE)	Gasolina	4WD	3956	174	237	09.05-09.09		■	
4.0 EFI 4WD (GRN215) (1GR-FE)	Gasolina	4WD	3956	183	249	01.03-12.09		■	
4.7 (UZ210_) (2UZ-FE)	Gasolina	RWD	4663	175	238	08.02-09.06		■	
4.7 4WD (UZ215_) (2UZ-FE)	Gasolina	4WD	4663	175	238	08.02-09.06		■	
4.7 (UZ210) (2UZ-FE)	Gasolina	RWD	4663	194	264	01.05-12.09		■	
4.7 4WD (UZ215) (2UZ-FE)	Gasolina	4WD	4663	194	264	01.05-12.09		■	

LISTA DE APLICACIONES - BUYERS GUIDE

FJ CRUISER (GSJ1_) 06.05-					SUV (Compact SUV-J Segment)			
4.0 (GSJ15) (1GR-FE)		Gasolina	RWD	3956	176	239	06.05-10.09	■
4.0 4WD (GSJ15) (1GR-FE)		Gasolina	4WD	3956	176	239	06.05-12.09	■
4.0 4WD (GSJ15_) (1GR-FE)		Gasolina	4WD	3956	178	242	01.06-01.18	■
HiLux SUV VI / SW4 (_N1_, _N2_) 01.95-08.05					SUV (Pick-Up Truck)			
2.7 EFI (RZN149)		Gasolina	RWD	2694	107	145	08.01-07.04	■
3.4 EFI 4WD (VZN185)		Gasolina	4WD	3378	136	185	11.95-07.00	■
2.4 TD 4WD (LN165)		Diesel	4WD	2446	66	90	08.97-07.01	■
HILUX VI (_N1_) 08.94-03.06					Pickup (Pick-Up Truck)			
3.4 EFI (VZN167R, VZN172R)		Gasolina	RWD	3378	131	178	08.01-07.05	■
3.4 EFI 4WD (VZN167, VZN172)		Gasolina	4WD	3378	131	178	08.01-07.05	■
LAND CRUISER 80 (_J8_) 01.90-02.01					Closed Off-Road Vehicle (Confort SUV-J Segment)			
4.0 (FJ80_, FJ80R, FJ80G) (3F-E)		Gasolina	4WD	3956	115	156	01.90-10.92	■
LAND CRUISER 90 (_J9_) 04.95-					Closed Off-Road Vehicle (Large SUV-J Segment)			
2.7 (RZJ95, RZJ90) (3RZ-FE)		Gasolina	4WD	2694	110	150	06.95-08.02	■
3.4 i 24V (VZJ90_, VZJ95_, VZJ90R, VZJ95R, VZJ90W,...) (5VZ-FE)		Gasolina	4WD	3378	131	178	03.96-08.02	■
3.0 TD (KZJ90_, KZJ95_, KZJ90R, KZJ95R, KZJ90W, KZJ95W) (1KZ-TE)		Diesel	4WD	2982	92	125	04.96-12.02	■
3.0 TD (KZJ95)		Diesel	4WD	2982	96	131	03.00-02.03	■
3.0 D-4D 4WD (KDJ90_, KDJ95_, KDJ90W, KDJ95W) (1KD-FTV)		Diesel	4WD	2982	120	163	08.00-08.02	■
3.0 D-4D (KDJ90, KDJ95, KZJ9_, LJ9_, RZJ9_, VZJ9_) (1KD-FTV)		Diesel	4WD	2982	125	170	02.00-08.02	■
LAND CRUISER PRADO (_J12_) 09.02-12.10					Closed Off-Road Vehicle (Large SUV-J Segment)			
2.7 (RZJ120, RZJ125) (2TR-FE)		Gasolina	4WD	2694	112	152	09.02-08.04	■
2.7 (RZJ120, RZJ125) (3RZ-FE)		Gasolina	4WD	2694	112	152	09.02-08.04	■
2.7 (TRJ120, TRJ125) (2TR-FE)		Gasolina	4WD	2694	120	163	11.03-02.10	■
3.4 (VZJ121, VZJ125, VZJ120)		Gasolina	4WD	3378	136	185	09.02-07.05	■
4.0 (GRJ120)		Gasolina	4WD	3956	173	235	11.04-06.09	■
4.0 (GRJ120, GRJ125, GRJ121) (1GR-FE)		Gasolina	4WD	3956	183	249	12.02-12.10	■
4.0 (GRJ120) (1GR-FE)		Gasolina	4WD	3956	203	276	08.05-07.09	■
4.0 V6 VVT-i (GRJ125) (1GR-FE)		Gasolina	4WD	3956	207	282	01.03-07.09	■
3.0 D (KZJ120_, KZJ120R)		Diesel	4WD	2982	96	131	08.05-07.09	■
3.0 D (KDJ120, KZJ120) (1KZ-TE)		Diesel	4WD	2982	98	133	02.03-07.09	■
3.0 D-4D (KDJ120, KDJ125, KDJ121) (1KD-FTV)		Diesel	4WD	2982	120	163	09.02-08.09	■
3.0 D-4D (KDJ120, KDJ125, KDJ121) (1KD-FTV)		Diesel	4WD	2982	122	166	07.04-08.09	■
3.0 D-4D (KDJ120, KDJ125, KDJ121) (1KD-FTV)		Diesel	4WD	2982	127	173	09.02-12.10	■
3.0 D-4D (KDJ120_) (1KD-FTV)		Diesel	4WD	2982	150	204	08.06-07.09	■
3.0 D (LJ120, LJ125) (5L-E)		Diesel	4WD	2986	70	95	09.02-02.10	■
SEQUOIA (_K3_, _K4_) 05.00-10.07					SUV (Luxury Crossover SUV-J Segment)			
4.7 (UCK35) (2UZ-FE)		Gasolina	RWD	4664	201	273	05.04-10.07	■
4.7 4WD (UCK35) (2UZ-FE)		Gasolina	4WD	4664	201	273	05.04-10.07	■
4.7 (UCK35_)		Gasolina	RWD	4664	206	280	09.04-10.07	■
TOYOTA (FAW)								
PRADO (_J12_) 01.03-06.10					Closed Off-Road Vehicle (Off-Road SUV-J Segment)			
4.0 A las 4 ruedas (GRJ120, GRJ121, GRJ125) (1GR-FE)		Gasolina	4WD	3956	179	243	10.03-06.10	■