

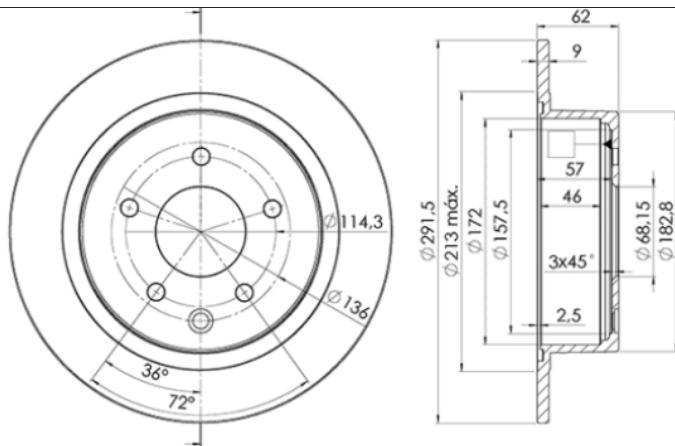
LISTA DE APLICACIONES - BUYERS GUIDE

78BD2931-2



Weight: 9.644

O.E.M.	MAKE
43206-8J102	NISSAN
43206-9W000	NISSAN
43206-9W100	NISSAN
43206-9Y000	NISSAN
43206-A00A	NISSAN
43206-JA00A	NISSAN
43206-JD00A	NISSAN



78BD2931-2

E1 90R-02C0453/0108



Ø292x9x62

MAKE
INFINITI
MITSUBISHI
NISSAN
NISSAN (DFAC)
SAMSUNG



Trac.	CC	Kw	CV
-------	----	----	----



Front / Rear

INFINITI

ESQ (JF15) 09.14-							SUV (Mini SUV-J Segment)	
1.6	Gasolina	FWD	1598	85	116	09.14-	■	
1.6 AWD (MR16DDT)	Gasolina	4WD	1618	147	200	09.14-	■	

MITSUBISHI

OUTLANDER II (CW_W) 09.05-12.12							SUV (Compact SUV-J Segment)	
2.4 4WD (CW5W) (4B12)	Gasolina	4WD	2360	125	170	09.07-11.12	■	

NISSAN

ALTIMA III (L31) 08.01-04.07							Saloon (Executive car-E Segment)	
2.5 (QR25DE)	Gasolina	FWD	2488	121	165	08.01-09.06	■	
2.5 (QR25DE)	Gasolina	FWD	2488	130	177	08.01-12.06	■	

ALTIMA IV (CL32) 10.06-12.13							Coupe (Executive car-E Segment)	
2.5 (QR25DE)	Gasolina	FWD	2488	131	178	09.09-06.13	■	
3.5 (VQ35DE)	Gasolina	FWD	3498	201	273	04.07-06.13	■	
3.5 CVTC (VQ35DE)	Gasolina	FWD	3498	210	286	01.10-12.13	■	
2.5 Hybrid (CL32HV) (QR25DE)	Gasol./el éc.	FWD	2488	148	201	04.07-06.13	■	

ALTIMA IV (L32) 10.06-07.13							Saloon (Executive car-E Segment)	
2.5 (QR25DE)	Gasolina	FWD	2488	128	174	10.06-07.13	■	
2.5 (QR25DE)	Gasolina	FWD	2488	138	188	01.10-07.12	■	
3.5 (VQ35DE)	Gasolina	FWD	3498	201	273	10.06-07.13	■	
3.5 CVTC	Gasolina	FWD	3498	210	286	01.10-07.12	■	
2.5 Hybrid (L32HV)	Gasol./el éc.	FWD	2488	148	201	10.06-07.11	■	

LISTA DE APLICACIONES - BUYERS GUIDE

ALTIMA V / TEANA III (L33) 05.12-					Saloon (Executive car-E Segment)			
2.5 (QR25DE)		Gasolina	FWD	2488	132	180	01.13-	■
2.5 (QR25DE)		Gasolina	FWD	2488	134	182	05.12-	■
3.5 (VQ35DE)		Gasolina	FWD	3498	199	271	11.12-	■
3.5 (VQ35DE)		Gasolina	FWD	3498	201	273	08.12-	■
ALTIMA VI / TEANA IV (L34) 08.18-					Saloon (Executive car-E Segment)			
2.0		Gasolina	FWD	1997	185	252	08.18-	■
2.5		Gasolina	FWD	2488	140	190	08.18-	■
2.5 AWD		Gasolina	4WD	2488	140	190	08.18-	■
BLUEBIRD SYLPHY / SYLPHY III (B17) 07.12-					Saloon (Compact car-C Segment)			
1.6 (HR16DE)		Gasolina	FWD	1598	85	116	08.12-	■
1.6		Gasolina	FWD	1598	86	117	05.13-	■
1.8 (MRA8DE)		Gasolina	FWD	1798	96	131	08.12-	■
JUKE (F15) 06.10-					SUV Van (Mini SUV-J Segment)			
CVTC		Gasolina	FWD	1598	86	117	03.13-12.19	■
1.6	Great Britain	Gasolina	FWD	1618	140	190	03.13-12.19	■
dCi		Diesel	FWD	1461	81	110	06.10-12.19	■
JUKE (F15) 06.10-					SUV (Mini SUV-J Segment)			
1.2 DIG-T (HRA2DDT)		Gasolina	FWD	1197	85	115	05.14-12.19	■
1.6 (HR16DE)		Gasolina	FWD	1598	69	94	05.13-12.19	■
1.6 CVTC		Gasolina	FWD	1598	72	98	08.14-12.19	■
1.6 (HR16DE)		Gasolina	FWD	1598	83	113	07.18-12.19	■
1.6 (HR16DE)		Gasolina	FWD	1598	85	116	03.16-12.19	■
1.6 (HR16DE)		Gasolina	FWD	1598	86	117	06.10-12.19	■
1.6 DIG-T (MR16DDT)	Great Britain	Gasolina	FWD	1618	140	190	06.10-12.19	■
1.6 DIG-T 4x4 (MR16DDT)	Great Britain	Gasolina	4WD	1618	140	190	06.10-12.19	■
1.6 DIG-T NISMO (MR16DDT)		Gasolina	FWD	1618	147	200	11.12-12.19	■
1.6 DIG-T NISMO 4x4 (MR16DDT)		Gasolina	4WD	1618	147	200	11.12-12.19	■
1.6 DIG-T NISMO RS		Gasolina	FWD	1618	157	214	11.15-12.19	■
1.6 DIG-T NISMO RS (MR16DDT)		Gasolina	FWD	1618	160	218	08.14-12.19	■
1.6 LPG (HR16DE)		Gasol./Gas (LPG)	FWD	1598	80	109	09.18-12.19	■
1.6 LPG (HR16DE)		Gasol./Gas (LPG)	FWD	1598	85	116	01.12-12.19	■
1.5 dCi (K9K 410)		Diesel	FWD	1461	81	110	06.10-12.19	■
1.5 dCi (K9K 636)		Diesel	FWD	1461	81	110	06.10-12.19	■
1.5 dCi (K9K 646)		Diesel	FWD	1461	81	110	06.10-12.19	■
1.5 dCi (K9K 896)		Diesel	FWD	1461	81	110	06.10-12.19	■
MAXIMA VI (A34) 01.03-12.08					Saloon (Executive car-E Segment)			
3.5 (VQ35DE)		Gasolina	FWD	3498	190	258	09.06-12.08	■
3.5		Gasolina	FWD	3498	197	268	09.03-12.06	■
3.5		Gasolina	FWD	3498	213	290	01.04-12.08	■
NV200 02.10-					Van (LCVs-N1 Segment)			
e-NV (ME0N) (EM57)		Eléctrico	FWD		80	109	05.14-	■
NV200 EVALIA 07.10-					Bus (Minibus-M2-Segment)			
e-NV (ME0M) (EM57)		Eléctrico	FWD		80	109	07.14-	■
PULSAR (C12) 08.10-					Hatchback (Supermini car-B Segment)			
1.6 CVTC (HR16DE)		Gasolina	FWD	1598	80	109	01.14-	■
1.6 (HR16DE)		Gasolina	FWD	1598	85	116	08.12-	■

LISTA DE APLICACIONES - BUYERS GUIDE

1.6 (MR16DDT)		Gasolina	FWD	1618	140	190	02.13-	■	
1.8 (MRA8DE)		Gasolina	FWD	1798	96	131	08.12-	■	
PULSAR / SYLPHI (C13) 10.14-							Hatchback (Large family car-D Segment)		
1.2 DIG-T (HRA2DDT)		Gasolina	FWD	1197	85	115	10.14-	■	
1.6 CVTC (HR16DE)		Gasolina	FWD	1598	86	117	08.12-	■	
1.5 dCi (K9K)		Diesel	FWD	1461	81	110	10.14-	■	
QASHQAI / QASHQAI +2 I / DUALIS (J10, NJ10) 11.06-01.15							SUV (Compact SUV-J Segment)		
1.6		Gasolina	FWD	1598	81	110	02.07-12.13	■	
1.6 (HR16DE)		Gasolina	FWD	1598	84	114	02.07-12.13	■	
1.6 (HR16DE)		Gasolina	FWD	1598	86	117	11.10-12.13	■	
2.0 (MR20DE)		Gasolina	FWD	1997	102	139	02.07-12.13	■	
2.0 Alas 4 ruedas (MR20DE)		Gasolina	4WD	1997	102	139	02.07-12.13	■	
2.0		Gasolina	FWD	1997	103	140	02.07-	■	
2.0 (MR20DE)		Gasolina	FWD	1997	103	140	01.10-04.14	■	
2.0 Alas 4 ruedas		Gasolina	FWD	1997	103	140	02.07-	■	
2.0 Alas 4 ruedas		Gasolina	4WD	1997	103	140	01.10-04.14	■	
2.0 (MR20DE)		Gasolina	FWD	1997	104	141	02.07-12.13	■	
2.0 Alas 4 ruedas (MR20DE)		Gasolina	4WD	1997	104	141	02.07-12.13	■	
1.5 dCi (K9K 282)		Diesel	FWD	1461	76	103	08.08-01.10	■	
1.5 dCi (K9K 292)		Diesel	FWD	1461	76	103	08.08-01.10	■	
1.5 dCi (K9K 282)		Diesel	FWD	1461	78	106	11.06-11.13	■	
1.5 dCi (K9K 292)		Diesel	FWD	1461	78	106	11.06-11.13	■	
1.5 dCi (K9K 430)		Diesel	FWD	1461	81	110	01.10-12.13	■	
1.6 dCi (R9M)		Diesel	FWD	1598	96	130	10.11-12.13	■	
1.6 dCi A las 4 ruedas (R9M)		Diesel	4WD	1598	96	130	10.11-12.13	■	
2.0 dCi (M1D)		Diesel	FWD	1995	110	150	02.07-12.13	■	
2.0 dCi (M9R)		Diesel	FWD	1995	110	150	02.07-12.13	■	
2.0 dCi A las 4 ruedas (M1D)		Diesel	4WD	1995	110	150	02.07-12.13	■	
2.0 dCi A las 4 ruedas (M9R)		Diesel	4WD	1995	110	150	02.07-12.13	■	
QASHQAI / QASHQAI +2 I VAN (J10) 12.06-04.14							SUV Van (Compact SUV-J Segment)		
2.0		Gasolina	FWD	1997	104	141	03.13-04.14	■	
2.0 Alas 4 ruedas		Gasolina	4WD	1997	104	141	03.13-04.14	■	
SENTRA VII / PULSAR / TSURA / TSURU (B17) 08.12-							Saloon (Compact car-C Segment)		
1.6 (HR16DE)		Gasolina	FWD	1598	86	117	08.14-	■	
1.8 (MRA8DE)		Gasolina	FWD	1798	96	131	08.12-	■	
TEANA (J31) 02.03-09.08							Saloon (Executive car-E Segment)		
2.0 (QR20DE)		Gasolina	FWD	1998	103	140	10.03-06.08	■	
2.0		Gasolina	FWD	1998	110	150	09.04-09.08	■	
2.3 (VQ23DE)		Gasolina	FWD	2349	127	173	10.03-06.08	■	
2.5 FOUR A las 4 ruedas (TNJ31)		Gasolina	4WD	2488	118	160	02.03-09.08	■	
3.5 (PJ31) (VQ35DE)		Gasolina	FWD	3498	170	231	10.03-06.08	■	
3.5		Gasolina	FWD	3498	180	245	09.04-09.08	■	
TEANA II / MAXIMA (J32) 01.07-							Saloon (Executive car-E Segment)		
2.0		Gasolina	FWD	1997	100	136	02.13-09.13	■	
2.5		Gasolina	FWD	2488	123	167	03.10-01.13	■	
2.5 FOUR A las 4 ruedas (QR25DE)		Gasolina	4WD	2488	123	167	06.08-12.12	■	
2.5 (VQ25DE)		Gasolina	FWD	2496	134	182	07.08-09.13	■	
2.5		Gasolina	FWD	2496	136	185	07.08-09.13	■	
3.5 (VQ35DE)		Gasolina	FWD	3498	183	249	07.08-09.13	■	

LISTA DE APLICACIONES - BUYERS GUIDE

3.5 (VQ35DE)		Gasolina	FWD	3498	185	252	01.09-03.11	■	
TEANA III / ALTIMA V (J33, L33) 09.13-					Saloon (Executive car-E Segment)				
2.5 (L33L, L33R, L33T) (QR25DE)		Gasolina	FWD	2488	127	173	09.13-	■	
2.5 (QR25)		Gasolina	FWD	2488	134	182	01.14-	■	
3.5 CVTC		Gasolina	FWD	3498	183	249	01.14-	■	
TIIDA II / LATIO (SC12) 01.09-					Saloon (Compact car-C Segment)				
1.6		Gasolina	FWD	1598	79	107	09.16-	■	
NISSAN (DFAC)									
QASCHQAI (J10) 12.07-					SUV (Compact SUV-J Segment)				
2.0		Gasolina	FWD	1997	102	139	03.08-12.11	■	
2.0 4x4		Gasolina	4WD	1997	102	139	03.08-12.11	■	
2.0		Gasolina	FWD	1997	106	144	01.11-	■	
2.0 Alas 4 ruedas		Gasolina	4WD	1997	106	144	01.11-12.15	■	
2.0		Gasolina	FWD	1997	110	150	10.15-	■	
TEANA (J31) 09.04-12.08					Saloon (Executive car-E Segment)				
2.0 (MR20DE)		Gasolina	FWD	1998	100	134	04.06-06.08	■	
2.0 (QR 20 DE)		Gasolina	FWD	1998	100	134	04.06-06.08	■	
2.0 (MR20DE)		Gasolina	FWD	1998	104	141	11.10-12.13	■	
2.3 (VQ 23 DE)		Gasolina	FWD	2349	127	173	09.04-06.08	■	
2.5 (VQ25DE)		Gasolina	FWD	2496	136	185	11.10-12.13	■	
3.5 (VQ35DE)		Gasolina	FWD	3498	180	245	09.04-06.08	■	
3.5 (VQ35DE)		Gasolina	FWD	3498	185	252	06.08-11.10	■	
TIIDA II / LATIO (C12) 05.11-					Hatchback (Compact car-C Segment)				
1.6 (HR16DE)		Gasolina	FWD	1598	93	126	05.11-12.15	■	
1.6 GTS (MR16)		Gasolina	FWD	1618	140	190	06.11-12.15	■	
SAMSUNG									
SM5 II (A34R) 09.04-12.10					Saloon ()				
2.0 (MR20DE)		Gasolina	FWD	1998	100	136	01.08-12.09	■	
2.0 (MR20DE)		Gasolina	FWD	1998	105	143	01.05-12.09	■	