

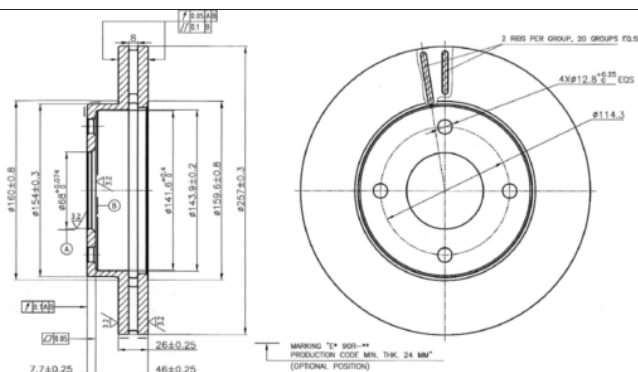
LISTA DE APLICACIONES - BUYERS GUIDE

78BD2938-2



Weight: 12.480

O.E.M.	MAKE
402063LG0A	NISSAN
402063LG0B	NISSAN
40206JX00A	NISSAN
40206JX00C	NISSAN
D02063LG0B	NISSAN



78BD2938-2

E1 90R-02C0452/0104



Ø257x26x53.7

MAKE
NISSAN
NISSAN (ZHENGZHOU)



Trac.	CC	Kw	CV	Hourglass Icon	Front / Rear
-------	----	----	----	----------------	--------------

NISSAN

NV200 02.10-

Van (LCVs-N1 Segment)

Model	Engine	Trac.	CC	Kw	CV	Year	Icon
1.6 16V (VM20, M20N, M20, M20L, M20M) (HR16DE)	Gasolina	FWD	1598	81	110	02.10-	■
1.5 dCi 85 (M20, M20N, M20M) (K9K 400)	Diesel	FWD	1461	63	86	02.10-	■
1.5 dCi 85 (M20, M20N, M20M) (K9K 608)	Diesel	FWD	1461	63	86	02.10-	■
1.5 dCi 85 (M20, M20N, M20M) (K9K 628)	Diesel	FWD	1461	63	86	02.10-	■
1.5 dCi 90 (M20, M20N, M20M) (K9K 892)	Diesel	FWD	1461	66	90	04.11-	■
1.5 dCi 110 (M20, M20N, M20M) (K9K 636)	Diesel	FWD	1461	81	110	04.11-	■
1.5 dCi 110 (M20, M20N, M20M) (K9K 646)	Diesel	FWD	1461	81	110	04.11-	■

NV200 EVALIA 07.10-

Bus (Minibus-M2-Segment)

Model	Engine	Trac.	CC	Kw	CV	Year	Icon
1.5	Gasolina	FWD	1498	80	109	01.12-	■
1.6 16V (M20, M20M) (HR16DE)	Gasolina	FWD	1598	81	110	07.10-	■
1.5 dCi 85 (M20, M20M, M20K, M20KK) (K9K 400)	Diesel	FWD	1461	63	86	07.10-	■
1.5 dCi 85 (M20, M20M, M20K, M20KK) (K9K 608)	Diesel	FWD	1461	63	86	07.10-	■
1.5 dCi 85 (M20, M20M, M20K, M20KK) (K9K 628)	Diesel	FWD	1461	63	86	07.10-	■
1.5 dCi 90 (M20, M20M) (K9K 892)	Diesel	FWD	1461	66	90	04.11-	■
1.5 dCi 110 (M20, M20M) (K9K 636)	Diesel	FWD	1461	81	110	04.11-	■
1.5 dCi 110 (M20, M20M) (K9K 646)	Diesel	FWD	1461	81	110	04.11-	■

NISSAN (ZHENGZHOU)

NV200 (M20) 06.10-

MPV (Large MPV-M1 Segment)

Model	Engine	Trac.	CC	Kw	CV	Year	Icon
1.6	Gasolina	FWD	1598	83	113	09.12-	■