

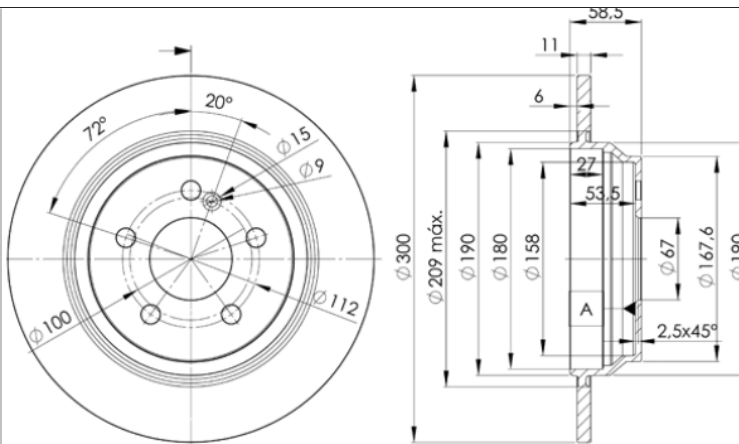
LISTA DE APLICACIONES - BUYERS GUIDE

78BD3055-2



Weight: 10.572

O.E.M.	MAKE
220 423 0112	MERCEDES-BENZ



78BD3055-2

E1 90R-02C0453/0099



Ø300x11x58.5

MAKE
MERCEDES-BENZ



Trac.	CC	Kw	CV
-------	----	----	----



Front / Rear

MERCEDES-BENZ

S-Class IV (W220, V220) 09.98-12.06

Saloon (Luxury car-F Segment)

S 280 (220.063, 220.163) (M 112.922)	Gasolina	RWD	2799	150	204	10.98-08.05	■
S 320 (220.065, 220.165) (M 112.944)	Gasolina	RWD	3199	165	224	10.98-08.05	■
S 350, S 350 L (220.067, 220.167) (M 112.972)	Gasolina	RWD	3724	180	245	09.02-08.05	■
S 350 4-matic (220.087, 220.187) (M 112.975)	Gasolina	4WD	3724	180	245	06.03-08.05	■