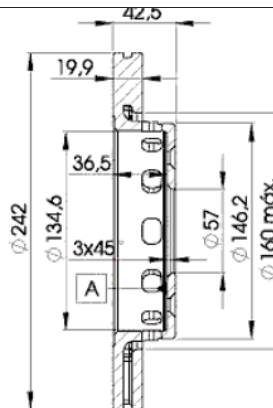
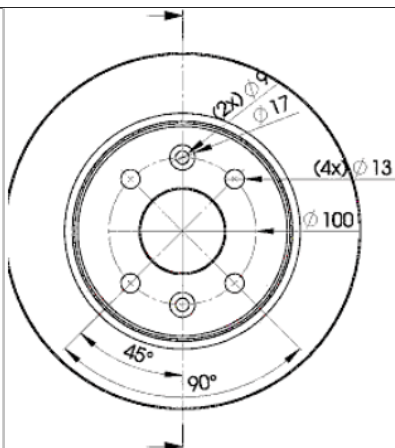


# LISTA DE APLICACIONES - BUYERS GUIDE

## 78BD3253-2



Weight: 8.880



## 78BD3253-2



Ø243x20x43.5

**MAKE**

KIA

O.E.M.	MAKE
OK20A-33-251	KIA
OK20A-33-251A	KIA
OK2AA-33-251A	KIA
OK2AA-33-251B	KIA
OK2AA-33-251C	KIA
OK20A-33-251	KIA
OK2AZ-33-251	KIA



Trac.	CC	Kw	CV
-------	----	----	----



Front / Rear

**KIA**

							<b>Hatchback (Compact car-C Segment)</b>	
<b>SEPHIA / MENTOR (FA) 01.95-10.97</b>								
1.5 i (B5)		Gasolina	FWD	1498	59	80	02.96-10.97	■
1.6 i (B6)		Gasolina	FWD	1598	59	80	01.95-10.97	■
1.8 i 16V (TP)		Gasolina	FWD	1793	82	112	01.95-10.97	■
<b>SEPHIA / MENTOR (FA) 01.92-09.01</b>							<b>Saloon (Compact car-C Segment)</b>	
1.5 i (B5)		Gasolina	FWD	1498	59	80	02.96-10.97	■
1.5 i		Gasolina	FWD	1498	68	92	01.92-10.94	■
1.6 i (B6)		Gasolina	FWD	1598	59	80	09.93-10.97	■
1.8 i 16V (TP)		Gasolina	FWD	1793	82	112	01.95-10.97	■
<b>SHUMA / MENTOR / SEPHIA (FB) 09.96-02.02</b>							<b>Hatchback (Compact car-C Segment)</b>	
1.5 i 16V (AFB242) (BFD)	02/98-	Gasolina	FWD	1498	65	88	10.97-03.01	■
1.6 (GA6D)		Gasolina	FWD	1594	75	101	01.01-12.01	■
1.8 i 16V (T8)		Gasolina	FWD	1793	81	110	10.97-03.01	■
1.8 i 16V (TED)		Gasolina	FWD	1793	81	110	10.97-03.01	■
<b>SHUMA / MENTOR / SEPHIA (FB) 03.96-10.01</b>							<b>Saloon (Compact car-C Segment)</b>	
1.5 (B5)		Gasolina	FWD	1498	59	80	03.96-12.98	■
1.5 i 16V (AFB222) (BFD)	02/98-	Gasolina	FWD	1498	65	88	10.97-10.01	■