

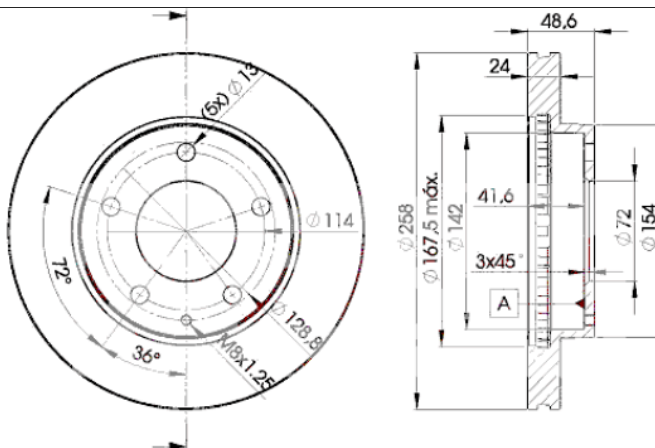
LISTA DE APLICACIONES - BUYERS GUIDE

78BD3258-2



Weight: 10.664

O.E.M.	MAKE
3 395 510	FORD
3 898 529	FORD
3 958 455	FORD
4 146 389	FORD
F32Z-1125-A	FORD
GA2Y-33-25X	MAZDA
GA4Y-33-251XAMF	MAZDA
GA4Y-33-25X	MAZDA
GA4Y-33-25XA	MAZDA
GA4Y-33-25XH	MAZDA
GA4Y-33-25XJ	MAZDA
GA5Y-33-25X	MAZDA
GA5Y-33-25XD	MAZDA
GA5Y-33-25XE	MAZDA
GA5Y-33-25XF	MAZDA



78BD3258-2

E1 90R-02C0452/0077



Ø258x24x48.5

MAKE
EUNOS
FORD ASIA & OCEANIA
FORD USA
HAIMA (FAW)
MAZDA
MAZDA (HAINAN)



Trac.	CC	Kw	CV
-------	----	----	----



Front / Rear

EUNOS

500 (CA) 01.92-10.99

Saloon (Luxury car-F Segment)

1.6 (B6EW)	Gasolina	FWD	1597	79	107	04.94-10.99	■
1.6 (B69N)	Gasolina	FWD	1597	83	113	01.92-03.94	■
2.0 (CA12) (KF27)	Gasolina	FWD	1995	105	143	01.92-10.99	■

ROADSTER I (NA) 06.89-04.98

Convertible (Sports car-S Segment)

1.8 (NA8C) (BP (DOHC))	Gasolina	RWD	1840	96	130	08.89-12.97	■
------------------------	----------	-----	------	----	-----	-------------	---

FORD ASIA & OCEANIA

TELSTAR 02.91-10.00

Saloon (Executive car-E Segment)

2.0	Gasolina	FWD	1991	86	117	08.91-10.98	■
-----	----------	-----	------	----	-----	-------------	---

FORD USA

PROBE (ECP) 09.92-03.98

Coupe (Sports car-S Segment)

2.0 16V (FS)	-12/96	Gasolina	FWD	1991	85	116	10.93-03.98	■
2.5 V6 24V (KL)	-07/97	Gasolina	FWD	2497	119	162	10.93-03.98	■
2.5 V6 24V (KL)	-07/97	Gasolina	FWD	2497	120	163	12.94-03.98	■

HAIMA (FAW)

3 08.06-

Saloon (Compact car-C Segment)

1.6 (HM479Q-A)	Gasolina	FWD	1598	88	120	06.07-12.12	■
1.8 (FP-DE)	Gasolina	FWD	1839	90	122	06.07-12.10	■
1.8 (HM483Q)	Gasolina	FWD	1839	90	122	06.07-12.10	■

MAZDA

626 IV / CAPELLA Station Wagon (GV) 09.87-10.98

Estate (Executive car-E Segment)

2.0 D Complex (GVFW) (RF-CX)	Diesel	FWD	1998	55	75	05.93-11.96	■
------------------------------	--------	-----	------	----	----	-------------	---

LISTA DE APLICACIONES - BUYERS GUIDE

2.0 D (GVFW) (RFG5)		Diesel	FWD	1998	60	82	11.94-09.97	■
626 V / CAPELLA / TELSTAR (GE) 08.91-08.98				Hatchback (Executive car-E Segment)				
1.8 (GE8P) (FP01LP)		Gasolina	FWD	1840	66	90	08.94-04.97	■
1.8 (GE8P) (FP01)		Gasolina	FWD	1840	74	101	08.93-12.96	■
1.8 (GE8P) (FP)		Gasolina	FWD	1840	77	105	08.91-04.97	■
2.0 i (GE10S1) (FS)		Gasolina	FWD	1991	85	115	08.91-04.97	■
2.0 i 4WD (GE10S1) (FS)		Gasolina	4WD	1991	85	116	04.92-04.97	■
2.5 24V (GE5P) (KL)		Gasolina	FWD	2497	120	163	08.94-04.97	■
2.5 24V (GE5P) (KL)		Gasolina	FWD	2497	121	165	01.92-04.97	■
2.0 D GLX Complex (GEFP) (RF55)		Diesel	FWD	1998	55	75	01.93-04.97	■
626 V / CAPELLA / TELSTAR (GE) 08.91-08.98				Saloon (Executive car-E Segment)				
1.8 i (GE8P) (FP01LP)		Gasolina	FWD	1840	66	90	08.94-04.97	■
1.8 i (GE8P) (FP)		Gasolina	FWD	1840	77	105	08.91-04.97	■
1.8 i (FP)		Gasolina	FWD	1840	78	106	05.94-06.97	■
2.0 i (GE10S1) (FS)		Gasolina	FWD	1991	85	115	01.92-04.97	■
2.0 i 4WD (GE10S1) (FS)		Gasolina	4WD	1991	85	116	04.92-04.97	■
2.5 24V (KL-ZE)		Gasolina	FWD	2497	121	165	01.92-04.97	■
2.0 D GLX Complex (GEFP) (RF55)		Diesel	FWD	1998	55	75	10.92-04.97	■
2.0 D (RF55)		Diesel	FWD	1998	56	76	05.94-06.97	■
626 VII / CAPELLA (GF) 05.97-12.02				Hatchback (Executive car-E Segment)				
1.8 (GF8P) (FPY3)		Gasolina	FWD	1840	66	90	05.97-12.99	■
1.9 (FPY3)		Gasolina	FWD	1840	66	90	05.97-12.99	■
1.9 (FP)		Gasolina	FWD	1840	74	100	12.99-10.02	■
1.9 (GF8P) (FP)		Gasolina	FWD	1840	74	100	12.99-10.02	■
2.0 (GFEP) (FS)		Gasolina	FWD	1991	85	115	05.97-10.02	■
2.0 H.P. (GFEP) (FS2C)		Gasolina	FWD	1991	100	136	02.98-10.02	■
2.0 DITD (GFFP) (RF3F)		Diesel	FWD	1998	66	90	04.98-10.02	■
2.0 Turbo DI (GFFP) (RF4F)		Diesel	FWD	1998	74	101	04.98-10.02	■
2.0 TD (GFFP) (RF4F)		Diesel	FWD	1998	81	110	10.00-10.02	■
626 VII / CAPELLA (GF) 05.97-05.06				Saloon (Executive car-E Segment)				
1.6 (GF6P) (B6EW)		Gasolina	FWD	1597	79	107	07.97-07.99	■
1.8 (GF8P) (FPY3)		Gasolina	FWD	1840	66	90	05.97-12.99	■
1.9 (FPY3)		Gasolina	FWD	1840	66	90	05.97-12.99	■
1.8 (GF8P) (FP9A)		Gasolina	FWD	1840	74	100	12.99-10.02	■
1.9 (FP9A)		Gasolina	FWD	1840	74	100	12.99-10.02	■
2.0 (GFEP, GF12) (FS)		Gasolina	FWD	1991	85	115	05.97-10.02	■
2.0 (GFEP) (FS2C)		Gasolina	FWD	1991	100	136	04.98-10.02	■
2.0 DITD (GFFP) (RF3F)		Diesel	FWD	1998	66	90	04.98-10.02	■
2.0 Turbo DI (GFFP) (RF4F)		Diesel	FWD	1998	74	101	04.98-10.02	■
2.0 TD (GFFP) (RF4F)		Diesel	FWD	1998	81	110	10.00-10.02	■
626 VII / CAPELLA Station Wagon (GW) 01.98-05.03				Estate (Executive car-E Segment)				
1.8 (GW8W) (FPY3)		Gasolina	FWD	1840	66	90	02.98-01.00	■
1.9 (FPY3)		Gasolina	FWD	1840	66	90	02.98-01.00	■
1.8 (GW8W) (FP9A)		Gasolina	FWD	1840	74	100	01.00-10.02	■
2.0 (GWEW) (FS)		Gasolina	FWD	1991	85	116	02.98-10.02	■
2.0 H.P. (GWEW) (FS2C)		Gasolina	FWD	1991	100	136	02.98-10.02	■
MX-5 (NA) 09.89-04.98				Convertible (Sports car-S Segment)				
1.8 (NA8C) (BPF1)		Gasolina	RWD	1839	96	131	09.93-12.97	■

LISTA DE APLICACIONES - BUYERS GUIDE

MX-6 (GD) 10.87-01.97					Coupe (Sports car-S Segment)			
2.0		Gasolina	FWD	1991	85	116	09.95-01.97	■
2.0 (FS)	-10/95	Gasolina	FWD	1991	85	115	02.92-02.97	■
2.5 i 24V (GE20L) (KL)	-10/95	Gasolina	FWD	2497	120	163	08.94-02.97	■
2.5 24V (GE10L) (KL)	-10/95	Gasolina	FWD	2497	121	165	02.92-09.97	■
2.5 (KL)		Gasolina	FWD	2497	122	166	09.92-01.97	■
2.5 24V (KL)		Gasolina	FWD	2497	123	167	02.93-11.95	■
PREMACY (CP_) 01.99-06.05					Box Body/MPV (Compact MPV-M1 Segment)			
1.8 (CP19)		Gasolina	FWD	1840	74	101	07.99-06.05	■
1.8 (CP19)		Gasolina	FWD	1840	84	114	07.99-03.05	■
2.0 (CP19)		Gasolina	FWD	1991	96	131	08.01-06.05	■
DiTD (CP19)		Diesel	FWD	1998	74	101	08.00-06.05	■
PREMACY (CP) 01.99-03.05					MPV (Compact MPV-M1 Segment)			
1.9 (CP8W) (FP)		Gasolina	FWD	1840	74	100	07.99-03.05	■
1.9 (CP10P) (FP)	-09/04	Gasolina	FWD	1840	84	114	07.99-03.05	■
2.0 (CP10S) (FS7E)	-09/04	Gasolina	FWD	1991	96	131	11.01-03.05	■
2.0 (CP10S) (FS7G)	-09/04	Gasolina	FWD	1991	96	131	11.01-03.05	■
2.0 TD (RF3F)		Diesel	FWD	1998	66	90	10.99-07.00	■
2.0 TD (RF4F)	-09/04	Diesel	FWD	1998	74	101	07.00-03.05	■
XEDOS 6 / EUNOS 500 (CA) 01.92-10.99					Saloon (Luxury car-F Segment)			
1.6 16V (B6EW)	-01/99	Gasolina	FWD	1597	79	107	04.94-10.99	■
1.6 16V (B69N)		Gasolina	FWD	1597	83	113	01.92-03.94	■
1.8		Gasolina	FWD	1839	85	116	04.94-10.99	■
2.0 V6 (CAEP) (KF1)	-01/99	Gasolina	FWD	1995	103	140	06.94-10.99	■
2.0 V6 (CAEP) (KF1)		Gasolina	FWD	1995	106	144	01.92-05.94	■
MAZDA (HAINAN)								
PREMACY 01.01-02.07					MPV (Compact MPV-M1 Segment)			
1.8		Gasolina	FWD	1839	90	121	01.01-02.07	■