

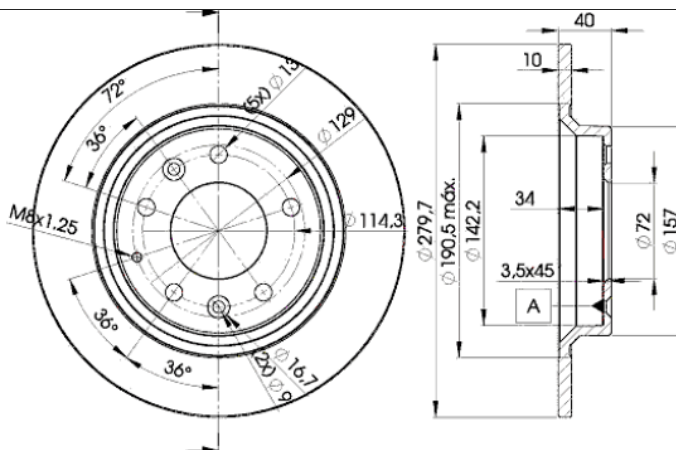
# LISTA DE APLICACIONES - BUYERS GUIDE

## 78BD3268-2



Weight: 8.544

O.E.M.	MAKE
GF3Y-26-251	MAZDA
GF3Y-26-251A	MAZDA
GFYY-26-251	MAZDA
N123-26-251	MAZDA
N123-26-251A	MAZDA
NF47-26-251	MAZDA



## 78BD3268-2

**E1 90R-02C0415/0088**



Ø280x10x40

MAKE
BESTURN (FAW)
ISUZU
MAZDA
MAZDA (HAINAN)



Trac.	CC	Kw	CV	Hourglass icon	Front / Rear
-------	----	----	----	----------------	--------------

### BESTURN (FAW)

							Saloon (Executive car-E Segment)		
<b>B50 05.09-</b>									
1.6 (BWH)		Gasolina	FWD	1595	76	103	05.09-	■	
<b>B70 01.06-12.14</b>							Saloon (Executive car-E Segment)		
1.8		Gasolina	FWD	1796	137	186	05.14-12.20	■	
1.8 (CA4GD5)		Gasolina	FWD	1798	102	139	06.12-12.14	■	
2.0 (CA4GD1)		Gasolina	FWD	1999	108	147	05.14-12.20	■	
<b>X80 05.13-</b>							SUV ()		
2.0		Gasolina	FWD	1999	108	147	05.13-	■	
2.3		Gasolina	FWD	2259	118	160	05.13-12.14	■	

### ISUZU

							Coupe (Sport compact car-C Segment)		
<b>IMPULSE II 01.90-12.93</b>									
1.6 (4XE1-V)		Gasolina	FWD	1588	71	97	01.90-12.93	■	

### MAZDA

							Hatchback (Compact car-C Segment)		
<b>323 F VIII / 323 ASTINA / 323 F-P / ETUDE / FAMILIA (BJ) 09.98-07.04</b>									
2.0 (BJFW) (FS7E)	sports chassis	Gasolina	FWD	1991	96	131	01.01-05.04	■	
2.0 (BJFW) (FS7G)	sports chassis	Gasolina	FWD	1991	96	131	01.01-05.04	■	
<b>323 S VIII / 323 PROTEGÉ / ETUDE / FAMILIA (BJ) 05.98-07.04</b>							Saloon (Compact car-C Segment)		
2.0 (BJFP) (FS7E)		Gasolina	FWD	1991	96	131	01.01-05.04	■	
2.0 (BJFP) (FS7G)		Gasolina	FWD	1991	96	131	01.01-05.04	■	
2.0 (BJ10S) (FS)		Gasolina	FWD	1991	98	133	02.00-05.04	■	

# LISTA DE APLICACIONES - BUYERS GUIDE

<b>6 / ATENZA (GG) 08.02-12.08</b>					<b>Hatchback (Executive car-E Segment)</b>			
1.8 (L813)		Gasolina	FWD	1798	88	120	08.02-08.07	■
2.0 (GGES) (LF17)		Gasolina	FWD	1999	104	141	08.02-08.07	■
2.0 (GGES) (LF18)		Gasolina	FWD	1999	104	141	08.02-08.07	■
2.0 (GGES) (LFF7)		Gasolina	FWD	1999	108	147	03.05-08.07	■
2.3 (GG3S) (L3C1)		Gasolina	FWD	2261	122	166	08.02-08.07	■
3.0 (AJ)		Gasolina	FWD	2967	162	220	01.04-12.07	■
3.0 (AJ)		Gasolina	FWD	2967	164	223	01.05-12.07	■
2.0 DI (GG14) (RF5C)		Diesel	FWD	1998	89	121	08.02-08.07	■
2.0 DI (GG14) (RF5C)		Diesel	FWD	1998	100	136	08.02-08.07	■
2.0 DI (GG14) (RF7J)		Diesel	FWD	1998	105	143	06.05-08.07	■
<b>6 / ATENZA (GG) 06.02-12.08</b>					<b>Saloon (Executive car-E Segment)</b>			
1.8 (L813)		Gasolina	FWD	1798	88	120	08.02-08.07	■
1.8 (L829)		Gasolina	FWD	1798	88	120	08.02-08.07	■
2.0 (GGEP, GG10) (LF17)		Gasolina	FWD	1999	104	141	06.02-08.07	■
2.0 (GGEP, GG10) (LF18)		Gasolina	FWD	1999	104	141	06.02-08.07	■
2.0 (GGEP, GG10) (LFF7)		Gasolina	FWD	1999	108	147	03.05-08.07	■
2.3		Gasolina	FWD	2261	119	162	07.03-02.05	■
2.3 (L3C1)		Gasolina	FWD	2261	120	163	03.05-07.07	■
2.3 (GG3P) (L3C1)		Gasolina	FWD	2261	122	166	06.02-08.07	■
2.3 MPS Turbo (GG3P) (L3KG)		Gasolina	4WD	2261	191	260	12.05-08.07	■
2.0 DI (GG14) (RF5C)		Diesel	FWD	1998	89	121	08.02-08.07	■
2.0 DI (GG14) (RF5C)		Diesel	FWD	1998	100	136	06.02-08.07	■
2.0 DI (GG14) (RF7J)		Diesel	FWD	1998	105	143	06.05-08.07	■
<b>6 / ATENZA Station Wagon (GY) 01.02-02.08</b>					<b>Estate (Executive car-E Segment)</b>			
1.8 (L813)		Gasolina	FWD	1798	88	120	08.02-08.07	■
2.0 (GYEW) (LF17)		Gasolina	FWD	1999	104	141	08.02-08.07	■
2.0 (GYEW) (LF18)		Gasolina	FWD	1999	104	141	08.02-08.07	■
2.0 (GYEW) (LFF7)		Gasolina	FWD	1999	108	147	03.05-08.07	■
2.3 AWD (GY3W) (L3C1)		Gasolina	4WD	2261	119	162	11.02-08.07	■
2.3 (GY3W, GY10) (L3C1)		Gasolina	FWD	2261	122	166	01.02-02.08	■
2.0 CiTD		Diesel	RWD	1998	89	121	10.02-02.05	■
2.0 DI (GY19) (RF5C)		Diesel	FWD	1998	89	121	08.02-08.07	■
2.0 CiTD		Diesel	RWD	1998	100	136	10.02-02.05	■
2.0 DI (GY19) (RF5C)		Diesel	FWD	1998	100	136	08.02-02.05	■
2.0 DI (GY19) (RF7J)		Diesel	FWD	1998	105	143	06.05-08.07	■
<b>6 II / ATENZA (GH) 12.07-07.13</b>					<b>Estate (Executive car-E Segment)</b>			
1.8 MZR (L813)		Gasolina	FWD	1798	88	120	02.08-07.13	■
2.0 MZR (GHEFW, GH10F) (LF17)		Gasolina	FWD	1999	108	147	12.07-07.13	■
2.0 MZR (GHEFW) (LFDE)		Gasolina	FWD	1999	114	155	01.10-07.13	■
2.5 MZR (GH5FW) (L5-VE)		Gasolina	FWD	2488	125	170	02.08-07.13	■
2.0 MZR-CD (GH14) (RF7J)		Diesel	FWD	1998	103	140	12.07-12.10	■
2.2 MZR-CD (GH10) (R2AA)		Diesel	FWD	2183	132	180	01.10-07.13	■
2.2 MZR-CD (GH10) (R2BF)		Diesel	FWD	2184	92	125	01.09-12.10	■
2.2 D (GH10) (R2BF)		Diesel	FWD	2184	95	129	01.10-07.13	■
2.2 MZR-CD (GH10) (R2AA)		Diesel	FWD	2184	120	163	08.08-07.13	■
2.2 MZR-CD (GH10) (R2AA)		Diesel	FWD	2184	136	185	08.08-12.11	■
<b>6 II / ATENZA (GH) 08.07-07.13</b>					<b>Hatchback (Executive car-E Segment)</b>			
1.8 MZR (L813)		Gasolina	FWD	1798	88	120	08.07-07.13	■

# LISTA DE APLICACIONES - BUYERS GUIDE

2.0 MZR (GHEFS) (LF17)		Gasolina	FWD	1999	108	147	08.07-07.13	■	
2.0 MZR (GHEFS) (LFDE)		Gasolina	FWD	1999	114	155	01.10-12.12	■	
2.5 MZR (GH5FS) (L5-VE)		Gasolina	FWD	2488	125	170	08.07-03.13	■	
2.0 MZR-CD (GH14) (RF7J)		Diesel	FWD	1998	103	140	08.07-10.09	■	
2.2 MZR-CD (GH10) (R2BF)		Diesel	FWD	2184	92	125	01.09-12.12	■	
2.2 D (GH10) (R2BF)		Diesel	FWD	2184	95	129	01.10-12.12	■	
2.2 MZR-CD (GH10) (R2AA)		Diesel	FWD	2184	120	163	01.09-12.12	■	
2.2 MZR-CD (GH10) (R2AA)		Diesel	FWD	2184	132	180	01.10-12.12	■	
2.2 MZR-CD (GH10) (R2AA)		Diesel	FWD	2184	136	185	01.09-12.12	■	
<b>6 II / ATENZA (GH) 08.07-12.13</b>					<b>Saloon (Executive car-E Segment)</b>				
1.8 MZR (L813)		Gasolina	FWD	1798	88	120	08.07-07.13	■	
2.0 MZR (GHEFP, GH10F) (LF4J)		Gasolina	FWD	1999	108	147	08.07-12.12	■	
2.0 MZR (GHEFP, GH10F) (LF4K)		Gasolina	FWD	1999	108	147	08.07-12.12	■	
2.0 MZR (GHEFP, GH10F) (LFYA)		Gasolina	FWD	1999	108	147	08.07-12.12	■	
2.0 MZR (GHEFP, GH10F) (LFYB)		Gasolina	FWD	1999	108	147	08.07-12.12	■	
2.0 MZR (GHEFP) (LFDE)		Gasolina	FWD	1999	114	155	01.10-12.12	■	
2.5 MZR (GH5FS, GH5FP) (L5-VE)		Gasolina	FWD	2488	125	170	08.07-07.13	■	
3.7		Gasolina	FWD	3726	203	272	09.08-12.12	■	
2.0 MZR-CD (GH14) (RF7J)		Diesel	FWD	1998	103	140	08.07-10.10	■	
2.2 D (GH10) (R2AA)		Diesel	FWD	2183	132	180	01.10-07.13	■	
2.2 MZR-CD (GH10) (R2BF)		Diesel	FWD	2184	92	125	01.09-12.12	■	
2.2 D (GH10) (R2BF)		Diesel	FWD	2184	95	129	01.10-12.12	■	
2.2 MZR-CD (GH10) (R2AA)		Diesel	FWD	2184	120	163	01.09-12.12	■	
2.2 MZR-CD (GH10) (R2AA)		Diesel	FWD	2184	136	185	01.09-12.12	■	
<b>626 VII / CAPELLA Station Wagon (GW) 01.98-05.03</b>					<b>Estate (Executive car-E Segment)</b>				
1.9 (FP9A)		Gasolina	FWD	1840	74	100	01.00-10.02	■	
2.0 DITD (GWFW) (RF3F)		Diesel	FWD	1998	66	90	09.99-10.02	■	
2.0 Turbo DI (GWFW) (RF4F)		Diesel	FWD	1998	74	101	04.98-10.02	■	
2.0 TD (GWFW) (RF4F)		Diesel	FWD	1998	81	110	10.00-10.02	■	
<b>MX-5 III (NC) 03.05-12.14</b>					<b>Convertible (Sports car-S Segment)</b>				
1.8 (NC18) (L828)		Gasolina	RWD	1798	93	126	03.05-12.14	■	
1.8 (NC18) (L831)		Gasolina	RWD	1798	93	126	03.05-12.14	■	
2.0 (NC18) (LFG7)		Gasolina	RWD	1999	118	160	07.05-12.16	■	
2.0 (NC18) (LFG8)		Gasolina	RWD	1999	118	160	07.05-12.16	■	
2.0 (NC18) (LFY7)		Gasolina	RWD	1999	118	160	07.05-12.16	■	
2.0 (NC18) (LFZD)		Gasolina	RWD	1999	118	160	07.05-12.16	■	
2.0 (NCEC) (LFY7)		Gasolina	RWD	1999	123	167	10.08-12.14	■	
2.0		Gasolina	RWD	1999	127	173	03.05-12.07	■	
<b>PREMACY (CP_) 01.99-06.05</b>					<b>Box Body/MPV (Compact MPV-M1 Segment)</b>				
1.8 (CP19)		Gasolina	FWD	1840	74	101	07.99-06.05	■	
1.8 (CP19)		Gasolina	FWD	1840	84	114	07.99-03.05	■	
2.0 (CP19)		Gasolina	FWD	1991	96	131	08.01-06.05	■	
DiTD (CP19)		Diesel	FWD	1998	74	101	08.00-06.05	■	
<b>PREMACY (CP) 01.99-03.05</b>					<b>MPV (Compact MPV-M1 Segment)</b>				
1.9 (CP8W) (FP)		Gasolina	FWD	1840	74	100	07.99-03.05	■	
<b>MAZDA (HAINAN)</b>									
<b>PREMACY 01.01-02.07</b>					<b>MPV (Compact MPV-M1 Segment)</b>				
1.8		Gasolina	FWD	1839	90	121	01.01-02.07	■	