

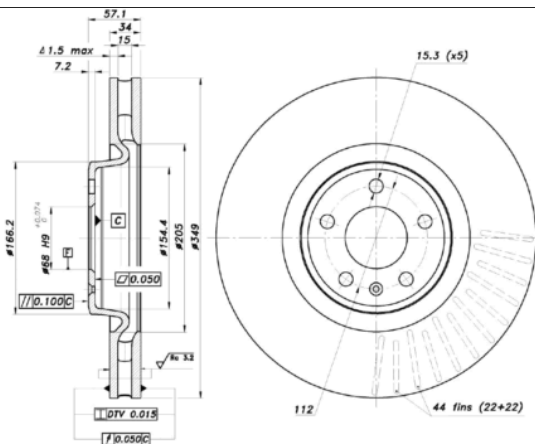
# LISTA DE APLICACIONES - BUYERS GUIDE

## 78BD3322-1



Weight: 12.540

| O.E.M.      | MAKE |
|-------------|------|
| 4M0615301AB | VW   |
| 4M0615301AN | VW   |
| 4M0615301P  | AUDI |
| 80A615301D  | AUDI |
| 80A615301G  | VW   |



## 78BD3322-1



Ø349x34x57.1

| MAKE |
|------|
| AUDI |
| VW   |



| Trac. | CC | Kw | CV |
|-------|----|----|----|
|-------|----|----|----|



Front / Rear

### AUDI

|  |                                |  |               |     |      | Estate (Compact executive car-D Segment) |     |             |   |  |
|--|--------------------------------|--|---------------|-----|------|--|-----|-------------|---|--|
| <b>A4 V Allroad B9 (8WH, 8WJ) 01.16-</b> |                                |  |               |     |      |  |     |             |   |  |
| 45 TFSI quattro (DMTA)                   |                                |  | Gasolina      | 4WD | 1984 | 195                                      | 265 | 10.22-      | ■ |  |
| 45 TFSI Mild hybrid quattro (DKNA)       | PR 1LJ, PR 1LL, PR 1ZA, PR 1ZC |  | Gasol./el éc. | 4WD | 1984 | 180                                      | 245 | 07.18-      | ■ |  |
| 45 TFSI Mild hybrid quattro (DDWA)       | PR 1LJ, PR 1LL, PR 1ZC         |  | Gasol./el éc. | 4WD | 1984 | 183                                      | 249 | 02.20-      | ■ |  |
| 2.0 TFSI Mild Hybrid quattro (DDWA)      | PR 1LJ, PR 1LL, PR 1ZA, PR 1ZC |  | Gasol./el éc. | 4WD | 1984 | 185                                      | 252 | 11.18-10.19 | ■ |  |
| 45 TFSI Mild hybrid quattro (DMTA)       | PR 1LJ, PR 1LL, PR 1ZA, PR 1ZC |  | Gasol./el éc. | 4WD | 1984 | 195                                      | 265 | 08.20-      | ■ |  |
| 40 TDI Mild Hybrid quattro (DTPA)        | PR 1LJ, PR 1LL, PR 1ZA, PR 1ZC |  | Diesel/el éc. | 4WD | 1968 | 150                                      | 204 | 09.20-      | ■ |  |
| 50 TDI Mild Hybrid quattro               | PR 1LJ, PR 1LL, PR 1ZA, PR 1ZC |  | Diesel/el éc. | 4WD | 2967 | 210                                      | 286 | 08.20-      | ■ |  |
| 40 TDI quattro (DETA)                    | PR 1LJ, PR 1LL, PR 1ZA, PR 1ZC |  | Diesel        | 4WD | 1968 | 140                                      | 190 | 01.20-      | ■ |  |
| 45 TDI quattro (DCPE)                    | PR 1LJ, PR 1LL, PR 1ZA, PR 1ZC |  | Diesel        | 4WD | 2967 | 170                                      | 231 | 07.18-      | ■ |  |
| 3.0 TDI quattro (CRTC)                   | PR 1LJ, PR 1LL, PR 1ZA, PR 1ZC |  | Diesel        | 4WD | 2967 | 200                                      | 272 | 01.16-08.18 | ■ |  |
| 3.0 TDI quattro (DCPC)                   | PR 1LJ, PR 1LL, PR 1ZA, PR 1ZC |  | Diesel        | 4WD | 2967 | 210                                      | 286 | 07.18-10.19 | ■ |  |
| 50 TDI quattro (DCPC)                    | PR 1LJ, PR 1LL, PR 1ZA, PR 1ZC |  | Diesel        | 4WD | 2967 | 210                                      | 286 | 11.19-      | ■ |  |
| <b>A4 V B9 (8W2, 8WC) 05.15-</b>         |                                |  |               |     |      | Saloon (Compact executive car-D Segment) |     |             |   |  |
| S4 TFSi quattro (CWGD)                   | PR 1LJ, PR 1LL, PR 1ZC         |  | Gasolina      | 4WD | 2995 | 260                                      | 354 | 05.16-      | ■ |  |
| 35 TFSI Mild Hybrid (DLVB)               | PR 1LJ, PR 1LL, PR 1ZA, PR 1ZC |  | Gasol./el éc. | FWD | 1984 | 110                                      | 150 | 12.18-      | ■ |  |
| 40 TFSI Mild Hybrid (DEMA)               | PR 1LJ, PR 1LL, PR 1ZA, PR 1ZC |  | Gasol./el éc. | FWD | 1984 | 140                                      | 190 | 05.17-      | ■ |  |

## LISTA DE APLICACIONES - BUYERS GUIDE

|  |                                |               |     |      |     |     |   |   |  |
|--|--------------------------------|---------------|-----|------|-----|-----|---|---|--|
| 40 TFSI Mild Hybrid (DKYA)             | PR 1LJ, PR 1LL, PR 1ZA, PR 1ZC | Gasol./el éc. | FWD | 1984 | 140 | 190 | 05.17-  | ■ |  |
| 40 TFSI Mild Hybrid (DLVA)             | PR 1LJ, PR 1LL, PR 1ZA, PR 1ZC | Gasol./el éc. | FWD | 1984 | 140 | 190 | 05.17-  | ■ |  |
| 40 TFSI Mild Hybrid                    | PR 1LJ, PR 1LL, PR 1ZA, PR 1ZC | Gasol./el éc. | FWD | 1984 | 150 | 204 | 06.20-  | ■ |  |
| 40 TFSI Mild Hybrid quattro (DMSA)     | PR 1LJ, PR 1LL, PR 1ZA, PR 1ZC | Gasol./el éc. | 4WD | 1984 | 150 | 204 | 06.20-  | ■ |  |
| 45 TFSI Mild Hybrid (DKNA)             | PR 1LJ, PR 1LL, PR 1ZA, PR 1ZC | Gasol./el éc. | FWD | 1984 | 180 | 245 | 07.18-11.19                                     | ■ |  |
| 45 TFSI Mild hybrid quattro (DKNA)     | PR 1LJ, PR 1LL, PR 1ZA, PR 1ZC | Gasol./el éc. | 4WD | 1984 | 180 | 245 | 07.18-11.19                                     | ■ |  |
| 45 TFSI Mild hybrid quattro (DDWA)     | PR 1LJ, PR 1LL, PR 1ZA, PR 1ZC | Gasol./el éc. | 4WD | 1984 | 183 | 249 | 02.20-  | ■ |  |
| 2.0 TFSI Mild Hybrid (DDWA)            | PR 1LJ, PR 1LL, PR 1ZA, PR 1ZC | Gasol./el éc. | FWD | 1984 | 185 | 252 | 05.17-11.19                                     | ■ |  |
| 2.0 TFSI Mild Hybrid quattro (DDWA)    | PR 1LJ, PR 1LL, PR 1ZA, PR 1ZC | Gasol./el éc. | 4WD | 1984 | 185 | 252 | 05.17-11.19                                     | ■ |  |
| 45 TFSI Mild hybrid quattro (DMTA)     | PR 1LJ, PR 1LL, PR 1ZA, PR 1ZC | Gasol./el éc. | 4WD | 1984 | 195 | 265 | 08.20-  | ■ |  |
| 40 TDI Mild Hybrid                     | PR 1LJ, PR 1LL, PR 1ZA, PR 1ZC | Diesel/el éc. | FWD | 1968 | 150 | 204 | 09.20-  | ■ |  |
| 40 TDI Mild Hybrid quattro (DTPA)      | PR 1LJ, PR 1LL, PR 1ZA, PR 1ZC | Diesel/el éc. | 4WD | 1968 | 150 | 204 | 05.20-  | ■ |  |
| 50 TDI Mild Hybrid quattro             | PR 1LJ, PR 1LL, PR 1ZA, PR 1ZC | Diesel/el éc. | 4WD | 2967 | 210 | 286 | 08.20-  | ■ |  |
| S4 TDI Mild Hybrid quattro             | PR 1LJ, PR 1LL, PR 1ZC         | Diesel/el éc. | 4WD | 2967 | 251 | 341 | 01.21-  | ■ |  |
| S4 TDI Mild Hybrid quattro (DEWB)      | PR 1LJ, PR 1LL, PR 1ZC         | Diesel/el éc. | 4WD | 2967 | 255 | 347 | 05.19-  | ■ |  |
| 45 TDI quattro (DCPE)                  | PR 1LJ, PR 1LL, PR 1ZA, PR 1ZC | Diesel        | 4WD | 2967 | 170 | 231 | 07.18-  | ■ |  |
| 50 TDI quattro (DCPC)                  | PR 1LJ, PR 1LL, PR 1ZA, PR 1ZC | Diesel        | 4WD | 2967 | 210 | 286 | 07.18-  | ■ |  |
| <b>A4 V B9 Avant (8W5, 8WD) 08.15-</b> |                                |               |     |      |     |     | <b>Estate (Compact executive car-D Segment)</b> |   |  |
| S4 TFSi quattro (CWGD)                 | PR 1LJ, PR 1LL, PR 1ZC         | Gasolina      | 4WD | 2995 | 260 | 354 | 05.16-  | ■ |  |
| 40 TFSI Mild Hybrid (DMSA)             | PR 1LJ, PR 1LL, PR 1ZA, PR 1ZC | Gasol./el éc. | FWD | 1984 | 150 | 204 | 06.20-  | ■ |  |
| 40 TFSI Mild Hybrid quattro (DMSA)     | PR 1LJ, PR 1LL, PR 1ZA, PR 1ZC | Gasol./el éc. | 4WD | 1984 | 150 | 204 | 06.20-  | ■ |  |
| 45 TFSI Mild Hybrid (DKNA)             | PR 1LJ, PR 1LL, PR 1ZA, PR 1ZC | Gasol./el éc. | FWD | 1984 | 180 | 245 | 07.18-10.19                                     | ■ |  |
| 45 TFSI Mild hybrid quattro (DKNA)     | PR 1LJ, PR 1LL, PR 1ZA, PR 1ZC | Gasol./el éc. | 4WD | 1984 | 180 | 245 | 07.18-10.19                                     | ■ |  |
| 45 TFSI Mild hybrid quattro (DDWA)     | PR 1LJ, PR 1LL, PR 1ZA, PR 1ZC | Gasol./el éc. | 4WD | 1984 | 183 | 249 | 02.20-  | ■ |  |
| 2.0 TFSI Mild Hybrid (DDWA)            | PR 1LJ, PR 1LL, PR 1ZA, PR 1ZC | Gasol./el éc. | FWD | 1984 | 185 | 252 | 05.17-10.19                                     | ■ |  |
| 2.0 TFSI Mild Hybrid quattro (DDWA)    | PR 1LJ, PR 1LL, PR 1ZA, PR 1ZC | Gasol./el éc. | 4WD | 1984 | 185 | 252 | 05.17-06.18                                     | ■ |  |
| 45 TFSI Mild hybrid quattro (DMTA)     | PR 1LJ, PR 1LL, PR 1ZA, PR 1ZC | Gasol./el éc. | 4WD | 1984 | 195 | 265 | 08.20-  | ■ |  |
| 40 TDI Mild Hybrid                     | PR 1LJ, PR 1LL, PR 1ZA, PR 1ZC | Diesel/el éc. | FWD | 1968 | 150 | 204 | 09.20-  | ■ |  |
| 40 TDI Mild Hybrid quattro (DTPA)      | PR 1LJ, PR 1LL, PR 1ZA, PR 1ZC | Diesel/el éc. | 4WD | 1968 | 150 | 204 | 05.20-  | ■ |  |
| 50 TDI Mild Hybrid quattro             | PR 1LJ, PR 1LL, PR 1ZA, PR 1ZC | Diesel/el éc. | 4WD | 2967 | 210 | 286 | 08.20-  | ■ |  |
| S4 TDI Mild Hybrid quattro             | PR 1LJ, PR 1LL, PR 1ZC         | Diesel/el éc. | 4WD | 2967 | 251 | 341 | 01.21-  | ■ |  |
| S4 TDI Mild Hybrid quattro (DEWB)      | PR 1LJ, PR 1LL, PR 1ZC         | Diesel/el éc. | 4WD | 2967 | 255 | 347 | 05.19-  | ■ |  |
| 45 TDI quattro (DCPE)                  | PR 1LJ, PR 1LL, PR 1ZA, PR 1ZC | Diesel        | 4WD | 2967 | 170 | 231 | 07.18-  | ■ |  |
| 3.0 TDI quattro (CRTC)                 | PR 1LJ, PR 1LL, PR 1ZA, PR 1ZC | Diesel        | 4WD | 2967 | 200 | 272 | 08.15-08.18                                     | ■ |  |
| 50 TDI quattro (DCPC)                  | PR 1LJ, PR 1LL, PR 1ZA, PR 1ZC | Diesel        | 4WD | 2967 | 210 | 286 | 07.18-  | ■ |  |

# LISTA DE APLICACIONES - BUYERS GUIDE

| <b>A5 II (F57, F5E) 11.16-</b>      |  |               |     |      |     | <b>Convertible (Compact executive car-D Segment)</b> |             |   |  |
|-------------------------------------|--|---------------|-----|------|-----|--|-------------|---|--|
| 2.0 40 TFSI (CVKB,DKYA)             |  | Gasolina      | FWD | 1984 | 140 | 190  | 06.17-12.20 | ■ |  |
| 2.0 TFSI (CVKB)                     | PR 1LL, PR 1ZA, PR 1ZC, PR 1ZK                 | Gasolina      | FWD | 1984 | 140 | 190  | 03.17-12.19 | ■ |  |
| 2.0 TFSI (DKYA)                     | PR 1LL, PR 1ZA, PR 1ZC, PR 1ZK                 | Gasolina      | FWD | 1984 | 140 | 190  | 03.17-12.19 | ■ |  |
| 40 TFSI (DMSA)                      | PR 1LJ, PR 1LL, PR 1ZA, PR 1ZC, PR 1ZK         | Gasolina      | FWD | 1984 | 150 | 204  | 11.20-      | ■ |  |
| 2.0 45 TFSI quattro (CYRB,DLHB)     |  | Gasolina      | 4WD | 1984 | 185 | 252  | 06.17-      | ■ |  |
| 2.0 TFSI (CYRB)                     | PR 1LL, PR 1ZA, PR 1ZC, PR 1ZK                 | Gasolina      | FWD | 1984 | 185 | 252  | 03.17-12.19 | ■ |  |
| 2.0 TFSI quattro (CYMC)             | PR 1LL, PR 1ZA, PR 1ZC, PR 1ZK                 | Gasolina      | 4WD | 1984 | 185 | 252  | 11.16-      | ■ |  |
| 2.0 TFSI quattro (CYRB)             | PR 1LL, PR 1ZA, PR 1ZC, PR 1ZK                 | Gasolina      | 4WD | 1984 | 185 | 252  | 11.16-      | ■ |  |
| S5 TFSI quattro (CWGD)              | PR 1LL, PR 1ZA, PR 1ZC, PR 1ZK                 | Gasolina      | 4WD | 2995 | 260 | 354  | 03.17-      | ■ |  |
| 35 TFSI Mild Hybrid (DMSB)          | PR 1LJ, PR 1LL, PR 1ZA, PR 1ZC, PR 1ZK         | Gasol./el éc. | FWD | 1984 | 110 | 150  | 06.20-      | ■ |  |
| 40 TFSI Mild Hybrid (DEMA)          | PR 1LJ, PR 1LL, PR 1ZA, PR 1ZC, PR 1ZK         | Gasol./el éc. | FWD | 1984 | 140 | 190  | 05.17-      | ■ |  |
| 40 TFSI Mild Hybrid (DKYA)          | PR 1LJ, PR 1LL, PR 1ZA, PR 1ZC, PR 1ZK         | Gasol./el éc. | FWD | 1984 | 140 | 190  | 05.17-      | ■ |  |
| 40 TFSI Mild Hybrid (DLVA)          | PR 1LJ, PR 1LL, PR 1ZA, PR 1ZC, PR 1ZK         | Gasol./el éc. | FWD | 1984 | 140 | 190  | 05.17-      | ■ |  |
| 40 TFSI Mild Hybrid (DMSA)          | PR 1LJ, PR 1LL, PR 1ZA, PR 1ZC, PR 1ZK         | Gasol./el éc. | FWD | 1984 | 150 | 204  | 07.20-      | ■ |  |
| 40 TFSI Mild Hybrid quattro (DMSA)  | PR 1LJ, PR 1LL, PR 1ZA, PR 1ZC, PR 1ZK         | Gasol./el éc. | 4WD | 1984 | 150 | 204  | 06.20-      | ■ |  |
| 45 TFSI Mild Hybrid (DKNA)          | PR 1LJ, PR 1LL, PR 1ZA, PR 1ZC, PR 1ZK         | Gasol./el éc. | FWD | 1984 | 180 | 245  | 07.18-12.19 | ■ |  |
| 45 TFSI Mild hybrid quattro (DKNA)  | PR 1LJ, PR 1LL, PR 1ZA, PR 1ZC, PR 1ZK         | Gasol./el éc. | 4WD | 1984 | 180 | 245  | 07.18-12.19 | ■ |  |
| 45 TFSI Mild hybrid quattro (DDWB)  | PR 1LJ, PR 1LL, PR 1ZA, PR 1ZC, PR 1ZK         | Gasol./el éc. | 4WD | 1984 | 183 | 249  | 06.21-      | ■ |  |
| 2.0 TFSI Mild Hybrid (DDWA)         | PR 1LJ, PR 1LL, PR 1ZA, PR 1ZC, PR 1ZK         | Gasol./el éc. | FWD | 1984 | 185 | 252  | 05.17-12.19 | ■ |  |
| 2.0 TFSI Mild Hybrid quattro (DDWA) | PR 1LJ, PR 1LL, PR 1ZA, PR 1ZC, PR 1ZK         | Gasol./el éc. | 4WD | 1984 | 185 | 252  | 05.17-      | ■ |  |
| 2.0 TFSI Mild Hybrid quattro (DLHB) | PR 1LJ, PR 1LL, PR 1ZA, PR 1ZC, PR 1ZK         | Gasol./el éc. | 4WD | 1984 | 185 | 252  | 05.17-      | ■ |  |
| 45 TFSI Mild hybrid quattro         | PR 1LJ, PR 1LL, PR 1ZA, PR 1ZC, PR 1ZK         | Gasol./el éc. | 4WD | 1984 | 195 | 265  | 06.20-      | ■ |  |
| 30 TDI Mild Hybrid                  | PR 1LJ, PR 1LL, PR 1ZA, PR 1ZC, PR 1ZK         | Diesel/el éc. | FWD | 1968 | 100 | 136  | 07.18-      | ■ |  |
| 40 TDI Mild Hybrid                  | PR 1LJ, PR 1LL, PR 1ZA, PR 1ZC, PR 1ZK         | Diesel/el éc. | FWD | 1968 | 150 | 204  | 09.20-      | ■ |  |
| 40 TDI Mild Hybrid quattro          | PR 1LJ, PR 1LL, PR 1ZA, PR 1ZC, PR 1ZK         | Diesel/el éc. | 4WD | 1968 | 150 | 204  | 09.20-      | ■ |  |
| 2.0 TDI (DEUA)                      | PR 1LL, PR 1ZA, PR 1ZC, PR 1ZK                 | Diesel        | FWD | 1968 | 110 | 150  | 08.17-12.19 | ■ |  |
| 35 TDI (DEZE)                       | PR 1LL, PR 1ZA, PR 1ZC, PR 1ZK                 | Diesel        | FWD | 1968 | 120 | 163  | 10.19-      | ■ |  |
| 2.0 TDI (DETA)                      | PR 1LL, PR 1ZA, PR 1ZC, PR 1ZK                 | Diesel        | FWD | 1968 | 140 | 190  | 11.16-12.19 | ■ |  |
| 2.0 TDI quattro (DETA)              | PR 1LL, PR 1ZA, PR 1ZC, PR 1ZK                 | Diesel        | 4WD | 1968 | 140 | 190  | 03.17-      | ■ |  |
| 40 TDI (DETA)                       | PR 1LI, PR 1LJ, PR 1LL, PR 1ZA, PR 1ZC, PR 1ZK | Diesel        | FWD | 1968 | 140 | 190  | 11.16-12.19 | ■ |  |
| 40 TDI quattro (DETA)               | PR 1LJ, PR 1LL, PR 1ZA, PR 1ZC, PR 1ZK         | Diesel        | 4WD | 1968 | 140 | 190  | 03.17-      | ■ |  |
| 3.0 TDI (CSWB)                      | PR 1LL, PR 1ZA, PR 1ZC, PR 1ZK                 | Diesel        | FWD | 2967 | 160 | 218  | 03.17-08.18 | ■ |  |
| 3.0 TDI quattro (CSWB)              | PR 1LL, PR 1ZA, PR 1ZC, PR 1ZK                 | Diesel        | 4WD | 2967 | 160 | 218  | 12.16-08.18 | ■ |  |
| 3.0 TDI quattro (DCPC)              | PR 1LL, PR 1ZA, PR 1ZC, PR 1ZK                 | Diesel        | 4WD | 2967 | 210 | 286  | 11.16-12.19 | ■ |  |
| 50 TDI quattro (DCPC)               | PR 1LJ, PR 1LL, PR 1ZA, PR 1ZC, PR 1ZK         | Diesel        | 4WD | 2967 | 210 | 286  | 11.16-12.19 | ■ |  |

# LISTA DE APLICACIONES - BUYERS GUIDE

| <b>A5 II (F53, F5P) 06.16-</b>      |  |               |     |      |     |     | <b>Coupe (Compact executive car-D Segment)</b> |   |  |  |
|-------------------------------------|--|---------------|-----|------|-----|-----|--|---|--|--|
| 1.4 TFSI (CVNA)                     | PR 1LL, PR 1ZA, PR 1ZC, PR 1ZK         | Gasolina      | FWD | 1395 | 110 | 150 | 11.16-02.20                                    | ■ |  |  |
| 35 TFSI                             | PR 1LJ, PR 1LL, PR 1ZA, PR 1ZC, PR 1ZK | Gasolina      | FWD | 1984 | 110 | 150 | 03.20-   | ■ |  |  |
| 2.0 40 TFSI (DVKB,DKYA)             |  | Gasolina      | FWD | 1984 | 140 | 190 | 06.17-12.20                                    | ■ |  |  |
| 2.0 TFSI (CVKB)                     | PR 1LL, PR 1ZA, PR 1ZC, PR 1ZK         | Gasolina      | FWD | 1984 | 140 | 190 | 09.16-   | ■ |  |  |
| 2.0 TFSI (DKYA)                     | PR 1LL, PR 1ZA, PR 1ZC, PR 1ZK         | Gasolina      | FWD | 1984 | 140 | 190 | 09.16-   | ■ |  |  |
| 40 TFSI (DMSA)                      | PR 1LJ, PR 1LL, PR 1ZA, PR 1ZC, PR 1ZK | Gasolina      | FWD | 1984 | 150 | 204 | 11.20-   | ■ |  |  |
| 2.0 TFSI quattro (CYRC)             | PR 1LL, PR 1ZA, PR 1ZC, PR 1ZK         | Gasolina      | 4WD | 1984 | 183 | 249 | 06.16-02.20                                    | ■ |  |  |
| 2.0 45 TFSI quattro (CYRB,DLHB)     | PR 1LJ, PR 1LL, PR 1ZA, PR 1ZC, PR 1ZK | Gasolina      | 4WD | 1984 | 185 | 252 | 06.17-   | ■ |  |  |
| 2.0 TFSI (CYRB)                     | PR 1LL, PR 1ZA, PR 1ZC, PR 1ZK         | Gasolina      | FWD | 1984 | 185 | 252 | 11.16-02.20                                    | ■ |  |  |
| 2.0 TFSI quattro (CYMC)             | PR 1LL, PR 1ZA, PR 1ZC, PR 1ZK         | Gasolina      | 4WD | 1984 | 185 | 252 | 06.16-   | ■ |  |  |
| 2.0 TFSI quattro (CYRB)             | PR 1LL, PR 1ZA, PR 1ZC, PR 1ZK         | Gasolina      | 4WD | 1984 | 185 | 252 | 06.16-   | ■ |  |  |
| S5 TFSI quattro (CWGD)              | PR 1LL, PR 1ZA, PR 1ZC, PR 1ZK         | Gasolina      | 4WD | 2995 | 260 | 354 | 07.16-   | ■ |  |  |
| 35 TFSI Mild Hybrid (DLVB)          | PR 1LJ, PR 1LL, PR 1ZA, PR 1ZC, PR 1ZK | Gasol./el éc. | FWD | 1984 | 110 | 150 | 02.19-   | ■ |  |  |
| 35 TFSI Mild Hybrid (DMSB)          | PR 1LJ, PR 1LL, PR 1ZA, PR 1ZC, PR 1ZK | Gasol./el éc. | FWD | 1984 | 110 | 150 | 02.19-   | ■ |  |  |
| 40 TFSI Mild Hybrid (DEMA)          | PR 1LL, PR 1ZA, PR 1ZC, PR 1ZK         | Gasol./el éc. | FWD | 1984 | 140 | 190 | 05.17-   | ■ |  |  |
| 40 TFSI Mild Hybrid (DHDA)          | PR 1LL, PR 1ZA, PR 1ZC, PR 1ZK         | Gasol./el éc. | FWD | 1984 | 140 | 190 | 05.17-   | ■ |  |  |
| 40 TFSI Mild Hybrid (DKYA)          | PR 1LL, PR 1ZA, PR 1ZC, PR 1ZK         | Gasol./el éc. | FWD | 1984 | 140 | 190 | 05.17-   | ■ |  |  |
| 40 TFSI Mild Hybrid (DLVA)          | PR 1LL, PR 1ZA, PR 1ZC, PR 1ZK         | Gasol./el éc. | FWD | 1984 | 140 | 190 | 05.17-   | ■ |  |  |
| 40 TFSI Mild Hybrid                 | PR 1LL, PR 1ZA, PR 1ZC, PR 1ZK         | Gasol./el éc. | FWD | 1984 | 150 | 204 | 07.20-   | ■ |  |  |
| 40 TFSI Mild Hybrid quattro         | PR 1LL, PR 1ZA, PR 1ZC, PR 1ZK         | Gasol./el éc. | 4WD | 1984 | 150 | 204 | 07.20-   | ■ |  |  |
| 45 TFSI Mild Hybrid (DKNA)          | PR 1LL, PR 1ZA, PR 1ZC, PR 1ZK         | Gasol./el éc. | FWD | 1984 | 180 | 245 | 07.18-08.20                                    | ■ |  |  |
| 45 TFSI Mild hybrid quattro (DKNA)  | PR 1LJ, PR 1LL, PR 1ZA, PR 1ZC, PR 1ZK | Gasol./el éc. | 4WD | 1984 | 180 | 245 | 07.18-08.20                                    | ■ |  |  |
| 45 TFSI Mild hybrid quattro (DDWB)  | PR 1LL, PR 1ZA, PR 1ZC, PR 1ZK         | Gasol./el éc. | 4WD | 1984 | 183 | 249 | 11.19-   | ■ |  |  |
| 2.0 TFSI Mild Hybrid (DDWA)         | PR 1LL, PR 1ZA, PR 1ZC, PR 1ZK         | Gasol./el éc. | FWD | 1984 | 185 | 252 | 05.17-02.20                                    | ■ |  |  |
| 2.0 TFSI Mild Hybrid quattro (DDWA) | PR 1LL, PR 1ZA, PR 1ZC, PR 1ZK         | Gasol./el éc. | 4WD | 1984 | 185 | 252 | 05.17-02.20                                    | ■ |  |  |
| 2.0 TFSI Mild Hybrid quattro (DLHB) | PR 1LL, PR 1ZA, PR 1ZC, PR 1ZK         | Gasol./el éc. | 4WD | 1984 | 185 | 252 | 05.17-02.20                                    | ■ |  |  |
| 45 TFSI Mild hybrid quattro         | PR 1LL, PR 1ZA, PR 1ZC, PR 1ZK         | Gasol./el éc. | 4WD | 1984 | 195 | 265 | 10.19-   | ■ |  |  |
| 30 TDI Mild Hybrid (DEZB)           | PR 1LJ, PR 1LL, PR 1ZA, PR 1ZC, PR 1ZK | Diesel/el éc. | FWD | 1968 | 100 | 136 | 10.19-   | ■ |  |  |
| 40 TDI Mild Hybrid                  | PR 1LJ, PR 1LL, PR 1ZA, PR 1ZC, PR 1ZK | Diesel/el éc. | FWD | 1968 | 150 | 204 | 09.20-   | ■ |  |  |
| 40 TDI Mild Hybrid quattro          | PR 1LL, PR 1ZA, PR 1ZC, PR 1ZK         | Diesel/el éc. | 4WD | 1968 | 150 | 204 | 09.20-   | ■ |  |  |
| 50 TDI Mild Hybrid quattro          | PR 1LL, PR 1ZA, PR 1ZC, PR 1ZK         | Diesel/el éc. | 4WD | 2967 | 210 | 286 | 08.20-   | ■ |  |  |
| S5 TDI Mild Hybrid quattro          | PR 1LL, PR 1ZA, PR 1ZC, PR 1ZK         | Diesel/el éc. | 4WD | 2967 | 251 | 341 | 01.21-   | ■ |  |  |
| S5 TDI Mild Hybrid quattro (DEWB)   | PR 1LJ, PR 1LL, PR 1ZA, PR 1ZC, PR 1ZK | Diesel/el éc. | 4WD | 2967 | 255 | 347 | 12.18-02.20                                    | ■ |  |  |
| 35 TDI (CZHA)                       | PR 1LJ, PR 1LL, PR 1ZA, PR 1ZC, PR 1ZK | Diesel        | FWD | 1968 | 110 | 150 | 05.17-02.20                                    | ■ |  |  |

# LISTA DE APLICACIONES - BUYERS GUIDE

|  |  |                  |     |      |  |     |             |   |  |
|--|--|------------------|-----|------|--|-----|-------------|---|--|
| 35 TDI (DEUA)                            | PR 1LJ, PR 1LL, PR 1ZA, PR 1ZC, PR 1ZK         | Diesel           | FWD | 1968 | 110  | 150 | 05.17-02.20 | ■ |  |
| 35 TDI (DEZE)                            | PR 1LJ, PR 1LL, PR 1ZA, PR 1ZC, PR 1ZK         | Diesel           | FWD | 1968 | 120  | 163 | 08.19-      | ■ |  |
| 2.0 TDI (DESA)                           | PR 1LL, PR 1ZA, PR 1ZC, PR 1ZK                 | Diesel           | FWD | 1968 | 140  | 190 | 07.16-      | ■ |  |
| 2.0 TDI (DETA)                           | PR 1LL, PR 1ZA, PR 1ZC, PR 1ZK                 | Diesel           | FWD | 1968 | 140  | 190 | 07.16-      | ■ |  |
| 2.0 TDI quattro (DESA)                   | PR 1LL, PR 1ZA, PR 1ZC, PR 1ZK                 | Diesel           | 4WD | 1968 | 140  | 190 | 10.16-      | ■ |  |
| 2.0 TDI quattro (DETA)                   | PR 1LL, PR 1ZA, PR 1ZC, PR 1ZK                 | Diesel           | 4WD | 1968 | 140  | 190 | 10.16-      | ■ |  |
| 40 TDI (DESA)                            | PR 1LI, PR 1LJ, PR 1LL, PR 1ZA, PR 1ZC, PR 1ZK | Diesel           | FWD | 1968 | 140  | 190 | 06.16-      | ■ |  |
| 40 TDI (DETA)                            | PR 1LI, PR 1LJ, PR 1LL, PR 1ZA, PR 1ZC, PR 1ZK | Diesel           | FWD | 1968 | 140  | 190 | 06.16-      | ■ |  |
| 40 TDI quattro (DETA)                    | PR 1LI, PR 1LJ, PR 1LL, PR 1ZA, PR 1ZC, PR 1ZK | Diesel           | 4WD | 1968 | 140  | 190 | 10.16-      | ■ |  |
| 3.0 TDI (CSWB)                           | PR 1LL, PR 1ZA, PR 1ZC, PR 1ZK                 | Diesel           | FWD | 2967 | 160  | 218 | 11.16-08.18 | ■ |  |
| 3.0 TDI quattro (CSWB)                   | PR 1LL, PR 1ZA, PR 1ZC, PR 1ZK                 | Diesel           | 4WD | 2967 | 160  | 218 | 07.16-08.18 | ■ |  |
| 45 TDI quattro (DCPE)                    | PR 1LJ, PR 1LL, PR 1ZA, PR 1ZC, PR 1ZK         | Diesel           | 4WD | 2967 | 170  | 231 | 07.18-02.20 | ■ |  |
| 3.0 TDI quattro (CRTC)                   | PR 1LL, PR 1ZA, PR 1ZC, PR 1ZK                 | Diesel           | 4WD | 2967 | 200  | 272 | 02.17-12.17 | ■ |  |
| 3.0 TDI quattro (DCPC)                   | PR 1LL, PR 1ZA, PR 1ZC, PR 1ZK                 | Diesel           | 4WD | 2967 | 210  | 286 | 01.17-02.20 | ■ |  |
| 50 TDI quattro (DCPC)                    | PR 1LJ, PR 1LL, PR 1ZA, PR 1ZC, PR 1ZK         | Diesel           | 4WD | 2967 | 210  | 286 | 01.17-02.20 | ■ |  |
| <b>A5 II Sportback (F5A, F5F) 06.16-</b> |  |                  |     |      | <b>Hatchback (Compact executive car-D Segment)</b> |     |             |   |  |
| 1.4 TFSI (CVNA)                          | PR 1LL, PR 1ZA, PR 1ZC, PR 1ZK                 | Gasolina         | FWD | 1395 | 110  | 150 | 01.17-02.20 | ■ |  |
| 2.0 TFSI (CVKB)                          | PR 1LL, PR 1ZA, PR 1ZC, PR 1ZK                 | Gasolina         | FWD | 1984 | 140  | 190 | 01.17-      | ■ |  |
| 2.0 TFSI (DKYA)                          | PR 1LL, PR 1ZA, PR 1ZC, PR 1ZK                 | Gasolina         | FWD | 1984 | 140  | 190 | 01.17-      | ■ |  |
| 40 TFSI (CVKB,DKYA)                      |  | Gasolina         | FWD | 1984 | 140  | 190 | 06.17-12.20 | ■ |  |
| 40 TFSI (DMSA)                           | PR 1LJ, PR 1LL, PR 1ZA, PR 1ZC, PR 1ZK         | Gasolina         | FWD | 1984 | 150  | 204 | 11.20-      | ■ |  |
| 40 TFSI quattro (DMSA)                   | PR 1LJ, PR 1LL, PR 1ZA, PR 1ZC, PR 1ZK         | Gasolina         | 4WD | 1984 | 150  | 204 | 11.20-      | ■ |  |
| 2.0 TFSI quattro (CYRC)                  | PR 1LL, PR 1ZA, PR 1ZC, PR 1ZK                 | Gasolina         | 4WD | 1984 | 183  | 249 | 09.16-02.20 | ■ |  |
| 2.0 TFSI (CYRB)                          | PR 1LJ, PR 1LL, PR 1ZA, PR 1ZC, PR 1ZK         | Gasolina         | FWD | 1984 | 185  | 252 | 11.16-02.20 | ■ |  |
| 2.0 TFSI quattro (CYMC)                  | PR 1LJ, PR 1LL, PR 1ZA, PR 1ZC, PR 1ZK         | Gasolina         | 4WD | 1984 | 185  | 252 | 09.16-      | ■ |  |
| 2.0 TFSI quattro (CYRB)                  | PR 1LJ, PR 1LL, PR 1ZA, PR 1ZC, PR 1ZK         | Gasolina         | 4WD | 1984 | 185  | 252 | 09.16-      | ■ |  |
| 45 TFSI (CYRB)                           |  | Gasolina         | FWD | 1984 | 185  | 250 | 06.17-02.20 | ■ |  |
| 45 TFSI quattro (CYRB,DLHB)              |  | Gasolina         | 4WD | 1984 | 185  | 252 | 06.17-      | ■ |  |
| 45 TFSI quattro (DMTA)                   |  | Gasolina         | 4WD | 1984 | 195  | 265 | 09.22-      | ■ |  |
| S5 TFSI quattro (CWGD)                   | PR 1LL, PR 1ZA, PR 1ZC, PR 1ZK                 | Gasolina         | 4WD | 2995 | 260  | 354 | 09.16-      | ■ |  |
| 2.0 TFSI g-tron (CVLA)                   | PR 1LL, PR 1ZA, PR 1ZC, PR 1ZK                 | Gasol./Gas (CNG) | FWD | 1984 | 125  | 170 | 02.17-02.20 | ■ |  |
| 40 TFSI g-tron (CVLA)                    | PR 1LJ, PR 1LL, PR 1ZA, PR 1ZC, PR 1ZK         | Gasol./Gas (CNG) | FWD | 1984 | 125  | 170 | 02.17-      | ■ |  |
| 35 TFSI Mild Hybrid (DLVB)               | PR 1LJ, PR 1LL, PR 1ZA, PR 1ZC, PR 1ZK         | Gasol./eléc.     | FWD | 1984 | 110  | 150 | 08.18-      | ■ |  |
| 35 TFSI Mild Hybrid (DMSB)               | PR 1LJ, PR 1LL, PR 1ZA, PR 1ZC, PR 1ZK         | Gasol./eléc.     | FWD | 1984 | 110  | 150 | 08.18-      | ■ |  |
| 40 TFSI Mild Hybrid (DMSA)               | PR 1LJ, PR 1LL, PR 1ZA, PR 1ZC, PR 1ZK         | Gasol./eléc.     | FWD | 1984 | 150  | 204 | 06.20-      | ■ |  |
| 40 TFSI Mild Hybrid quattro (DMSA)       | PR 1LJ, PR 1LL, PR 1ZA, PR 1ZC, PR 1ZK         | Gasol./eléc.     | 4WD | 1984 | 150  | 204 | 06.20-      | ■ |  |

## LISTA DE APLICACIONES - BUYERS GUIDE

|                                    |  |               |     |      |     |     |   |   |  |
|------------------------------------|--|---------------|-----|------|-----|-----|---|---|--|
| 45 TFSI Mild Hybrid (DKNA)         | PR 1LJ, PR 1LL, PR 1ZA, PR 1ZC, PR 1ZK         | Gasol./el éc. | FWD | 1984 | 180 | 245 | 07.18-02.20                             | ■ |  |
| 45 TFSI Mild hybrid quattro (DKNA) | PR 1LJ, PR 1LL, PR 1ZA, PR 1ZC, PR 1ZK         | Gasol./el éc. | 4WD | 1984 | 180 | 245 | 02.19-02.20                             | ■ |  |
| 45 TFSI Mild hybrid quattro (DDWB) | PR 1LJ, PR 1LL, PR 1ZA, PR 1ZC, PR 1ZK         | Gasol./el éc. | 4WD | 1984 | 183 | 249 | 06.21-                                  | ■ |  |
| 45 TFSI Mild hybrid quattro        | PR 1LJ, PR 1LL, PR 1ZA, PR 1ZC, PR 1ZK         | Gasol./el éc. | 4WD | 1984 | 195 | 265 | 10.19-                                  | ■ |  |
| 30 TDI Mild Hybrid (DEZB)          | PR 1LJ, PR 1LL, PR 1ZA, PR 1ZC, PR 1ZK         | Diesel/el éc. | FWD | 1968 | 100 | 136 | 10.19-                                  | ■ |  |
| 40 TDI Mild Hybrid                 | PR 1LJ, PR 1LL, PR 1ZA, PR 1ZC, PR 1ZK         | Diesel/el éc. | FWD | 1968 | 150 | 204 | 09.20-                                  | ■ |  |
| 40 TDI Mild Hybrid quattro         | PR 1LJ, PR 1LL, PR 1ZA, PR 1ZC, PR 1ZK         | Diesel/el éc. | 4WD | 1968 | 150 | 204 | 09.20-                                  | ■ |  |
| 50 TDI Mild Hybrid quattro (DMGA)  | PR 1LJ, PR 1LL, PR 1ZA, PR 1ZC, PR 1ZK         | Diesel/el éc. | 4WD | 2967 | 210 | 286 | 08.20-                                  | ■ |  |
| S5 TDI Mild Hybrid quattro         | PR 1LJ, PR 1LL, PR 1ZA, PR 1ZC, PR 1ZK         | Diesel/el éc. | 4WD | 2967 | 251 | 341 | 01.21-                                  | ■ |  |
| S5 TDI Mild Hybrid quattro (DEWB)  | PR 1LJ, PR 1LL, PR 1ZA, PR 1ZC, PR 1ZK         | Diesel/el éc. | 4WD | 2967 | 255 | 347 | 12.18-02.20                             | ■ |  |
| 2.0 TDI (DEUB)                     | PR 1LL, PR 1ZA, PR 1ZC, PR 1ZK                 | Diesel        | FWD | 1968 | 100 | 136 | 05.17-02.20                             | ■ |  |
| 35 TDI (DEUA)                      | PR 1LI, PR 1LJ, PR 1LL, PR 1ZA, PR 1ZC, PR 1ZK | Diesel        | FWD | 1968 | 110 | 150 | 01.17-02.20                             | ■ |  |
| 35 TDI (DEZE)                      | PR 1LJ, PR 1LL, PR 1ZA, PR 1ZC, PR 1ZK         | Diesel        | FWD | 1968 | 120 | 163 | 08.19-                                  | ■ |  |
| 2.0 TDI (DESA)                     | PR 1LL, PR 1ZA, PR 1ZC, PR 1ZK                 | Diesel        | FWD | 1968 | 140 | 190 | 09.16-                                  | ■ |  |
| 2.0 TDI (DETA)                     | PR 1LL, PR 1ZA, PR 1ZC, PR 1ZK                 | Diesel        | FWD | 1968 | 140 | 190 | 09.16-                                  | ■ |  |
| 2.0 TDI quattro (DESA)             | PR 1LL, PR 1ZA, PR 1ZC, PR 1ZK                 | Diesel        | 4WD | 1968 | 140 | 190 | 10.16-                                  | ■ |  |
| 2.0 TDI quattro (DETA)             | PR 1LL, PR 1ZA, PR 1ZC, PR 1ZK                 | Diesel        | 4WD | 1968 | 140 | 190 | 10.16-                                  | ■ |  |
| 40 TDI (DESA)                      | PR 1LI, PR 1LJ, PR 1LL, PR 1ZA, PR 1ZC, PR 1ZK | Diesel        | FWD | 1968 | 140 | 190 | 09.16-                                  | ■ |  |
| 40 TDI (DETA)                      | PR 1LI, PR 1LJ, PR 1LL, PR 1ZA, PR 1ZC, PR 1ZK | Diesel        | FWD | 1968 | 140 | 190 | 09.16-                                  | ■ |  |
| 40 TDI quattro (DETA)              | PR 1LI, PR 1LJ, PR 1LL, PR 1ZA, PR 1ZC, PR 1ZK | Diesel        | 4WD | 1968 | 140 | 190 | 08.16-                                  | ■ |  |
| 3.0 TDI (CSWB)                     | PR 1LL, PR 1ZA, PR 1ZC, PR 1ZK                 | Diesel        | FWD | 2967 | 160 | 218 | 03.17-08.18                             | ■ |  |
| 3.0 TDI quattro (CSWB)             | PR 1LJ, PR 1LL, PR 1ZA, PR 1ZC, PR 1ZK         | Diesel        | 4WD | 2967 | 160 | 218 | 09.16-                                  | ■ |  |
| 45 TDI quattro (DCPE)              | PR 1LJ, PR 1LL, PR 1ZA, PR 1ZC, PR 1ZK         | Diesel        | 4WD | 2967 | 170 | 231 | 07.18-02.20                             | ■ |  |
| 3.0 TDI quattro (CRTC)             | PR 1LL, PR 1ZA, PR 1ZC, PR 1ZK                 | Diesel        | 4WD | 2967 | 200 | 272 | 02.17-12.17                             | ■ |  |
| 3.0 TDI quattro (DCPC)             | PR 1LL, PR 1ZA, PR 1ZC, PR 1ZK                 | Diesel        | 4WD | 2967 | 210 | 286 | 01.17-02.20                             | ■ |  |
| 50 TDI quattro (DCPC)              | PR 1LJ, PR 1LL, PR 1ZA, PR 1ZC, PR 1ZK         | Diesel        | 4WD | 2967 | 210 | 286 | 01.17-02.20                             | ■ |  |
| <b>A6 V C8 Avant (4A5) 05.18-</b>  |  |               |     |      |     |     | <b>Estate (Executive car-E Segment)</b> |   |  |
| 40 TFSI 12V                        | PR 1ZA, PR 1ZY, PR FM0, not ceramic brakes     | Gasolina      | FWD | 1984 | 140 | 190 | 04.20-                                  | ■ |  |
| 40 TFSI (DMTC)                     | PR 1ZA, PR 1ZY, PR FM0, not ceramic brakes     | Gasolina      | FWD | 1984 | 150 | 204 | 09.20-                                  | ■ |  |
| 45 TFSI                            | PR 1ZA, PR 1ZY, PR FM0, not ceramic brakes     | Gasolina      | FWD | 1984 | 180 | 245 | 04.20-                                  | ■ |  |
| 45 TFSI quattro                    | PR 1ZA, PR 1ZY, PR FM0, not ceramic brakes     | Gasolina      | 4WD | 1984 | 195 | 265 | 10.22-                                  | ■ |  |
| 40 TFSI Mild Hybrid                | PR 1ZA, PR 1ZY, PR FM0, not ceramic brakes     | Gasol./el éc. | FWD | 1984 | 140 | 190 | 02.19-                                  | ■ |  |
| 40 TFSI Mild Hybrid                | PR 1ZA, PR 1ZY, PR FM0, not ceramic brakes     | Gasol./el éc. | FWD | 1984 | 150 | 204 | 01.21-                                  | ■ |  |
| 45 TFSI Mild Hybrid (DKNA)         | PR 1ZA, PR 1ZY, PR FM0, not ceramic brakes     | Gasol./el éc. | FWD | 1984 | 180 | 245 | 08.18-                                  | ■ |  |
| 45 TFSI Mild Hybrid (DLHA)         | PR 1ZA, PR 1ZY, PR FM0, not ceramic brakes     | Gasol./el éc. | FWD | 1984 | 180 | 245 | 08.18-                                  | ■ |  |

# LISTA DE APLICACIONES - BUYERS GUIDE

|                                     |  |               |     |      |     |     |   |   |  |
|-------------------------------------|--|---------------|-----|------|-----|-----|---|---|--|
| 45 TFSI Mild hybrid quattro (DKNA)  | PR 1ZA, PR 1ZY, PR FM0, not ceramic brakes | Gasol./el éc. | 4WD | 1984 | 180 | 245 | 08.18-                                  | ■ |  |
| 45 TFSI Mild hybrid quattro (DLHA)  | PR 1ZA, PR 1ZY, PR FM0, not ceramic brakes | Gasol./el éc. | 4WD | 1984 | 180 | 245 | 08.18-                                  | ■ |  |
| 45 TFSI Mild Hybrid (DMTA)          | PR 1ZA, PR 1ZY, PR FM0, not ceramic brakes | Gasol./el éc. | FWD | 1984 | 195 | 265 | 05.20-                                  | ■ |  |
| 45 TFSI Mild hybrid quattro (DMTA)  | PR 1ZA, PR 1ZY, PR FM0, not ceramic brakes | Gasol./el éc. | 4WD | 1984 | 195 | 265 | 05.20-                                  | ■ |  |
| 50 TFSI e quattro                   | PR 1ZA, PR 1ZY, PR FM0, not ceramic brakes | Gasol./el éc. | 4WD | 1984 | 220 | 299 | 02.21-                                  | ■ |  |
| 55 TFSI e quattro (DLGA)            | PR 1ZA, PR 1ZY, PR FM0, not ceramic brakes | Gasol./el éc. | 4WD | 1984 | 270 | 367 | 04.20-                                  | ■ |  |
| 55 TFSI e quattro (DLGA)            | PR 1ZA, PR 1ZY, PR FM0, not ceramic brakes | Gasol./el éc. | 4WD | 1984 | 270 | 367 | 02.21-                                  | ■ |  |
| S6 TFSI Mild Hybrid quattro         | PR 1ZA, PR 1ZY, PR FM0, not ceramic brakes | Gasol./el éc. | 4WD | 2894 | 331 | 450 | 01.20-                                  | ■ |  |
| 55 TFSI Mild Hybrid quattro (DLZA)  | PR 1ZA, PR 1ZY, PR FM0, not ceramic brakes | Gasol./el éc. | 4WD | 2995 | 250 | 340 | 05.18-                                  | ■ |  |
| 30 TDI Mild Hybrid (DEZF)           | PR 1ZA, PR 1ZY, PR FM0, not ceramic brakes | Diesel/el éc. | FWD | 1968 | 100 | 136 | 01.19-                                  | ■ |  |
| 35 TDI Mild Hybrid (DEZD)           | PR 1ZA, PR 1ZY, PR FM0, not ceramic brakes | Diesel/el éc. | FWD | 1968 | 120 | 163 | 03.19-                                  | ■ |  |
| 40 TDI Mild Hybrid                  | PR 1ZA, PR 1ZY, PR FM0, not ceramic brakes | Diesel/el éc. | FWD | 1968 | 140 | 190 | 02.19-                                  | ■ |  |
| 40 TDI Mild Hybrid (DFBA)           | PR 1ZA, PR 1ZY, PR FM0, not ceramic brakes | Diesel/el éc. | FWD | 1968 | 150 | 204 | 05.18-                                  | ■ |  |
| 40 TDI Mild Hybrid quattro (DFBA)   | PR 1ZA, PR 1ZY, PR FM0, not ceramic brakes | Diesel/el éc. | 4WD | 1968 | 150 | 204 | 07.18-                                  | ■ |  |
| 45 TDI Mild Hybrid quattro (DDVF)   | PR 1ZA, PR 1ZY, PR FM0, not ceramic brakes | Diesel/el éc. | 4WD | 2967 | 155 | 211 | 07.18-                                  | ■ |  |
| 45 TDI Mild Hybrid quattro (DDVE)   | PR 1ZA, PR 1ZY, PR FM0, not ceramic brakes | Diesel/el éc. | 4WD | 2967 | 170 | 231 | 05.18-                                  | ■ |  |
| 45 TDI Mild Hybrid quattro          | PR 1ZA, PR 1ZY, PR FM0, not ceramic brakes | Diesel/el éc. | 4WD | 2967 | 180 | 245 | 01.21-                                  | ■ |  |
| 50 TDI Mild Hybrid quattro (DDVB)   | PR 1ZA, PR 1ZY, PR FM0, not ceramic brakes | Diesel/el éc. | 4WD | 2967 | 210 | 286 | 05.18-                                  | ■ |  |
| S6 TDI Mild Hybrid quattro          | PR 1ZA, PR 1ZY, PR FM0, not ceramic brakes | Diesel/el éc. | 4WD | 2967 | 253 | 344 | 11.20-                                  | ■ |  |
| S6 TDI Mild Hybrid quattro (DEWA)   | PR 1ZA, PR 1ZY, PR FM0, not ceramic brakes | Diesel/el éc. | 4WD | 2967 | 257 | 349 | 03.19-                                  | ■ |  |
| 45 TDI quattro                      | PR 1ZA, PR 1ZY, PR FM0, not ceramic brakes | Diesel        | 4WD | 2967 | 183 | 249 | 07.19-                                  | ■ |  |
| <b>A6 V Allroad C8 (4AH) 11.18-</b> |  |               |     |      |     |     | <b>Estate (Executive car-E Segment)</b> |   |  |
| 55 TFSI Mild Hybrid quattro (DLZA)  | PR 1ZA, PR 1ZY, PR FM0, not ceramic brakes | Gasol./el éc. | 4WD | 2995 | 250 | 340 | 11.19-                                  | ■ |  |
| 40 TDI Mild Hybrid quattro          | PR 1ZA, PR 1ZY, PR FM0, not ceramic brakes | Diesel/el éc. | 4WD | 1968 | 150 | 204 | 09.20-                                  | ■ |  |
| 45 TDI Mild Hybrid quattro (DDVE)   | PR 1ZA, PR 1ZY, PR FM0, not ceramic brakes | Diesel/el éc. | 4WD | 2967 | 170 | 231 | 11.18-                                  | ■ |  |
| 45 TDI Mild Hybrid quattro          | PR 1ZA, PR 1ZY, PR FM0, not ceramic brakes | Diesel/el éc. | 4WD | 2967 | 180 | 245 | 01.21-                                  | ■ |  |
| 50 TDI Mild Hybrid quattro (DDVB)   | PR 1ZA, PR 1ZY, PR FM0, not ceramic brakes | Diesel/el éc. | 4WD | 2967 | 210 | 286 | 11.18-                                  | ■ |  |
| 55 TDI Mild Hybrid quattro          | PR 1ZA, PR 1ZY, PR FM0, not ceramic brakes | Diesel/el éc. | 4WD | 2967 | 253 | 344 | 11.20-                                  | ■ |  |
| 55 TDI Mild Hybrid quattro (DEWA)   | PR 1ZA, PR 1ZY, PR FM0, not ceramic brakes | Diesel/el éc. | 4WD | 2967 | 257 | 349 | 03.19-                                  | ■ |  |
| 45 TDI quattro                      | PR 1ZA, PR 1ZY, PR FM0, not ceramic brakes | Diesel        | 4WD | 2967 | 183 | 249 | 08.19-                                  | ■ |  |
| <b>A6 V C8 (4A2) 02.18-</b>         |  |               |     |      |     |     | <b>Saloon (Executive car-E Segment)</b> |   |  |
| 40 TFSI (DMTC)                      | PR 1ZA, PR 1ZY, PR FM0, not ceramic brakes | Gasolina      | FWD | 1984 | 150 | 204 | 09.20-                                  | ■ |  |
| 45 TFSI                             | PR 1ZA, PR 1ZY, PR FM0, not ceramic brakes | Gasolina      | FWD | 1984 | 185 | 252 | 11.19-                                  | ■ |  |
| 45 TFSI quattro (DLHB)              | PR 1ZA, PR 1ZY, PR FM0, not ceramic brakes | Gasolina      | 4WD | 1984 | 185 | 252 | 11.19-                                  | ■ |  |
| 40 TFSI Mild Hybrid                 | PR 1ZA, PR 1ZY, PR FM0, not ceramic brakes | Gasol./el éc. | FWD | 1984 | 140 | 190 | 02.19-                                  | ■ |  |

# LISTA DE APLICACIONES - BUYERS GUIDE

|  |  |               |     |      |     |  |        |   |  |
|--|--|---------------|-----|------|-----|--|--------|---|--|
| 40 TFSI Mild Hybrid                              | PR 1ZA, PR 1ZY, PR FM0, not ceramic brakes | Gasol./el éc. | FWD | 1984 | 150 | 204  | 01.21- | ■ |  |
| 45 TFSI Mild Hybrid (DKNA)                       | PR 1ZA, PR 1ZY, PR FM0, not ceramic brakes | Gasol./el éc. | FWD | 1984 | 180 | 245  | 08.18- | ■ |  |
| 45 TFSI Mild Hybrid (DLHA)                       | PR 1ZA, PR 1ZY, PR FM0, not ceramic brakes | Gasol./el éc. | FWD | 1984 | 180 | 245  | 08.18- | ■ |  |
| 45 TFSI Mild hybrid quattro (DKNA)               | PR 1ZA, PR 1ZY, PR FM0, not ceramic brakes | Gasol./el éc. | 4WD | 1984 | 180 | 245  | 08.18- | ■ |  |
| 45 TFSI Mild hybrid quattro (DLHA)               | PR 1ZA, PR 1ZY, PR FM0, not ceramic brakes | Gasol./el éc. | 4WD | 1984 | 180 | 245  | 08.18- | ■ |  |
| 45 TFSI Mild Hybrid (DMTA)                       | PR 1ZA, PR 1ZY, PR FM0, not ceramic brakes | Gasol./el éc. | FWD | 1984 | 195 | 265  | 05.20- | ■ |  |
| 45 TFSI Mild hybrid quattro (DMTA)               | PR 1ZA, PR 1ZY, PR FM0, not ceramic brakes | Gasol./el éc. | 4WD | 1984 | 195 | 265  | 05.20- | ■ |  |
| 50 TFSI e quattro (DLGA)                         | PR 1ZA, PR 1ZY, PR FM0, not ceramic brakes | Gasol./el éc. | 4WD | 1984 | 220 | 299  | 11.19- | ■ |  |
| 50 TFSI e quattro                                | PR 1ZA, PR 1ZY, PR FM0, not ceramic brakes | Gasol./el éc. | 4WD | 1984 | 220 | 299  | 02.21- | ■ |  |
| 55 TFSI e quattro (DLGA)                         | PR 1ZA, PR 1ZY, PR FM0, not ceramic brakes | Gasol./el éc. | 4WD | 1984 | 270 | 367  | 11.19- | ■ |  |
| 55 TFSI e quattro                                | PR 1ZA, PR 1ZY, PR FM0, not ceramic brakes | Gasol./el éc. | 4WD | 1984 | 270 | 367  | 02.21- | ■ |  |
| S6 TFSI Mild Hybrid quattro                      | PR 1ZA, PR 1ZY, PR FM0, not ceramic brakes | Gasol./el éc. | 4WD | 2894 | 331 | 450  | 01.20- | ■ |  |
| 55 TFSI Mild Hybrid quattro (DLZA)               | PR 1ZA, PR 1ZY, PR FM0, not ceramic brakes | Gasol./el éc. | 4WD | 2995 | 250 | 340  | 02.18- | ■ |  |
| 30 TDI Mild Hybrid (DEZF)                        | PR 1ZA, PR 1ZY, PR FM0, not ceramic brakes | Diesel/el éc. | FWD | 1968 | 100 | 136  | 01.19- | ■ |  |
| 35 TDI Mild Hybrid (DEZD)                        | PR 1ZA, PR 1ZY, PR FM0, not ceramic brakes | Diesel/el éc. | FWD | 1968 | 120 | 163  | 03.19- | ■ |  |
| 40 TDI Mild Hybrid (DFBA)                        | PR 1ZA, PR 1ZY, PR FM0, not ceramic brakes | Diesel/el éc. | FWD | 1968 | 150 | 204  | 07.18- | ■ |  |
| 40 TDI Mild Hybrid quattro                       | PR 1ZA, PR 1ZY, PR FM0, not ceramic brakes | Diesel/el éc. | 4WD | 1968 | 150 | 204  | 07.18- | ■ |  |
| 45 TDI Mild Hybrid quattro (DDVF)                | PR 1ZA, PR 1ZY, PR FM0, not ceramic brakes | Diesel/el éc. | 4WD | 2967 | 155 | 211  | 07.18- | ■ |  |
| 45 TDI Mild Hybrid quattro                       | PR 1ZA, PR 1ZY, PR FM0, not ceramic brakes | Diesel/el éc. | 4WD | 2967 | 180 | 245  | 01.21- | ■ |  |
| 50 TDI Mild Hybrid quattro (DDVB)                | PR 1ZA, PR 1ZY, PR FM0, not ceramic brakes | Diesel/el éc. | 4WD | 2967 | 210 | 286  | 02.18- | ■ |  |
| S6 TDI Mild Hybrid quattro                       | PR 1ZA, PR 1ZY, PR FM0, not ceramic brakes | Diesel/el éc. | 4WD | 2967 | 253 | 344  | 01.21- | ■ |  |
| S6 TDI Mild Hybrid quattro (DEWA)                | PR 1ZA, PR 1ZY, PR FM0, not ceramic brakes | Diesel/el éc. | 4WD | 2967 | 257 | 349  | 03.19- | ■ |  |
| 40 TDI   | PR 1ZA, PR 1ZY, PR FM0, not ceramic brakes | Diesel        | FWD | 1968 | 140 | 190  | 02.19- | ■ |  |
| 45 TDI quattro                                   | PR 1ZA, PR 1ZY, PR FM0, not ceramic brakes | Diesel        | 4WD | 2967 | 183 | 249  | 07.19- | ■ |  |
| <b>A7 II Sportback (4KA) 10.17-</b>              |  |               |     |      |     | <b>Hatchback (Executive car-E Segment)</b> |        |   |  |
| S7 TDI Mild Hybrid quattro (DEWA)                | PR 1ZA, not ceramic brakes                 | Diesel/el éc. | 4WD | 2967 | 257 | 349  | 03.19- | ■ |  |
| <b>A8 IV D5 (4N2, 4N8, 4NC, 4NL, 4NX) 06.17-</b> |  |               |     |      |     | <b>Saloon (Luxury car-F Segment)</b>       |        |   |  |
| 45 TFSI quattro                                  | PR 1LA, PR 1LZ, PR 1ZK, not ceramic brakes | Gasolina      | 4WD | 1984 | 195 | 265  | 08.22- | ■ |  |
| 50 TFSI Mild Hybrid quattro (4N8) (CZSA)         | PR 1LA, PR 1ZK                             | Gasol./el éc. | 4WD | 2995 | 210 | 286  | 07.18- | ■ |  |
| 60 TFSI e quattro (CZSE)                         | PR 1LA, PR 1ZK                             | Gasol./el éc. | 4WD | 2995 | 330 | 449  | 10.19- | ■ |  |
| 60 TFSI e quattro                                | PR 1LA, PR 1LZ, PR 1ZK, not ceramic brakes | Gasol./el éc. | 4WD | 2995 | 340 | 462  | 11.21- | ■ |  |
| 60 TFSI Mild Hybrid quattro (CXYA)               | PR 1LA, PR 1ZK                             | Gasol./el éc. | 4WD | 3996 | 338 | 460  | 05.18- | ■ |  |
| S8 TFSI Mild Hybrid quattro (CWWB)               | PR 1LA, PR 1ZK                             | Gasol./el éc. | 4WD | 3996 | 420 | 571  | 02.19- | ■ |  |
| 60 TDI Mild Hybrid quattro (CVXB)                | PR 1LA, PR 1ZK                             | Diesel/el éc. | 4WD | 3956 | 320 | 435  | 11.19- | ■ |  |
| 45 TDI quattro (CVMD)                            | PR 1LA, PR 1ZK                             | Diesel        | 4WD | 2967 | 183 | 249  | 01.19- | ■ |  |

# LISTA DE APLICACIONES - BUYERS GUIDE

| Q5 II (FYB, FYG) 05.16-             |  |               |     |      |     |     | SUV Van (Luxury Crossover SUV-J Segment) |   |  |  |
|-------------------------------------|--|---------------|-----|------|-----|-----|--|---|--|--|
| 3.0 SQ5 TDI Mild Hybrid quattro     | PR 1LL, PR 1ZA, PR 1ZC, PR 1ZK                 | Diesel/el éc. | 4WD | 2967 | 255 | 347 | 02.19-11.20                              | ■ |  |  |
| 3.0 TDI quattro                     | PR 1LJ, PR 1LL, PR 1ZA, PR 1ZC, PR 1ZK, PR 1ZL | Diesel        | 4WD | 2967 | 210 | 286 | 07.17-11.20                              | ■ |  |  |
| Q5 II (FYB, FYG) 05.16-             |  |               |     |      |     |     | SUV (Luxury Crossover SUV-J Segment)     |   |  |  |
| 2.0 TFSI quattro (DAXC)             | PR 1LJ, PR 1LL, PR 1ZA, PR 1ZC, PR 1ZK, PR 1ZL | Gasolina      | 4WD | 1984 | 183 | 249 | 01.17-11.20                              | ■ |  |  |
| 2.0 TFSI quattro (DAXB)             | PR 1LJ, PR 1LL, PR 1ZA, PR 1ZC, PR 1ZK, PR 1ZL | Gasolina      | 4WD | 1984 | 185 | 252 | 06.16-11.20                              | ■ |  |  |
| 2.0 TFSI quattro (DAYB)             | PR 1LJ, PR 1LL, PR 1ZA, PR 1ZC, PR 1ZK, PR 1ZL | Gasolina      | 4WD | 1984 | 185 | 252 | 06.16-11.20                              | ■ |  |  |
| SQ5 TFSI quattro (CWGD)             | PR 1LL, PR 1ZA, PR 1ZC, PR 1ZK                 | Gasolina      | 4WD | 2995 | 260 | 354 | 11.16-                                   | ■ |  |  |
| 40 TFSI Mild Hybrid quattro         | PR 1LL, PR 1ZA, PR 1ZC, PR 1ZK                 | Gasol./el éc. | 4WD | 1984 | 150 | 204 | 10.21-                                   | ■ |  |  |
| 45 TFSI Mild hybrid quattro (DGKB)  | PR 1LL, PR 1ZA, PR 1ZC, PR 1ZK                 | Gasol./el éc. | 4WD | 1984 | 180 | 245 | 12.18-                                   | ■ |  |  |
| 45 TFSI Mild hybrid quattro (DNNTA) | PR 1LL, PR 1ZA, PR 1ZC, PR 1ZK                 | Gasol./el éc. | 4WD | 1984 | 180 | 245 | 12.18-                                   | ■ |  |  |
| 45 TFSI Mild hybrid quattro (DGKB)  | PR 1LJ, PR 1LL, PR 1ZA, PR 1ZC, PR 1ZK, PR 1ZL | Gasol./el éc. | 4WD | 1984 | 183 | 249 | 09.20-                                   | ■ |  |  |
| 45 TFSI Mild hybrid quattro (DPUA)  | PR 1LJ, PR 1LL, PR 1ZA, PR 1ZC, PR 1ZK, PR 1ZL | Gasol./el éc. | 4WD | 1984 | 195 | 265 | 08.20-                                   | ■ |  |  |
| 45 TFSI Mild hybrid quattro (DPVA)  | PR 1LJ, PR 1LL, PR 1ZA, PR 1ZC, PR 1ZK, PR 1ZL | Gasol./el éc. | 4WD | 1984 | 195 | 265 | 08.20-                                   | ■ |  |  |
| 50 TFSI e quattro (DLGA)            | PR 1LJ, PR 1LL, PR 1ZA, PR 1ZC, PR 1ZK, PR 1ZL | Gasol./el éc. | 4WD | 1984 | 220 | 299 | 04.19-                                   | ■ |  |  |
| 50 TFSI e quattro                   | PR 1LJ, PR 1LL, PR 1ZA, PR 1ZC, PR 1ZK, PR 1ZL | Gasol./el éc. | 4WD | 1984 | 220 | 299 | 02.21-                                   | ■ |  |  |
| 55 TFSI e quattro (DLGA)            | PR 1LL, PR 1ZA, PR 1ZC, PR 1ZK                 | Gasol./el éc. | 4WD | 1984 | 270 | 367 | 08.19-                                   | ■ |  |  |
| 55 TFSI e quattro                   | PR 1LJ, PR 1LL, PR 1ZA, PR 1ZC, PR 1ZK, PR 1ZL | Gasol./el éc. | 4WD | 1984 | 270 | 367 | 02.21-                                   | ■ |  |  |
| SQ5 TFSI Mild Hybrid quattro (CWGD) |  | Gasol./el éc. | 4WD | 2995 | 260 | 354 | 07.21-                                   | ■ |  |  |
| 30 TDI Mild Hybrid (DEZB)           | PR 1LL, PR 1ZA, PR 1ZC, PR 1ZK                 | Diesel/el éc. | FWD | 1968 | 100 | 136 | 09.19-                                   | ■ |  |  |
| 35 TDI Mild Hybrid (DEZE)           | PR 1LL, PR 1ZA, PR 1ZC, PR 1ZK                 | Diesel/el éc. | FWD | 1968 | 120 | 163 | 09.19-                                   | ■ |  |  |
| 40 TDI Mild Hybrid quattro (DFBA)   | PR 1LL, PR 1ZA, PR 1ZC, PR 1ZK                 | Diesel/el éc. | 4WD | 1968 | 150 | 204 | 09.19-                                   | ■ |  |  |
| 50 TDI Mild Hybrid quattro (DMGA)   | PR 1LJ, PR 1LL, PR 1ZA, PR 1ZC, PR 1ZK, PR 1ZL | Diesel/el éc. | 4WD | 2967 | 210 | 286 | 06.20-                                   | ■ |  |  |
| SQ5 TDI Mild Hybrid quattro         | PR 1LJ, PR 1LL, PR 1ZA, PR 1ZC, PR 1ZK, PR 1ZL | Diesel/el éc. | 4WD | 2967 | 251 | 341 | 01.21-                                   | ■ |  |  |
| SQ5 TDI Mild Hybrid quattro (DEWB)  | PR 1LL, PR 1ZA, PR 1ZC, PR 1ZK                 | Diesel/el éc. | 4WD | 2967 | 255 | 347 | 02.19-09.20                              | ■ |  |  |
| 2.0 TDI (DEUB)                      | PR 1LL, PR 1ZA, PR 1ZC, PR 1ZK                 | Diesel        | FWD | 1968 | 100 | 136 | 01.17-11.20                              | ■ |  |  |
| 2.0 TDI (DEUA)                      | PR 1LL, PR 1ZA, PR 1ZC, PR 1ZK                 | Diesel        | FWD | 1968 | 110 | 150 | 01.17-11.20                              | ■ |  |  |
| 2.0 TDI quattro (DETB)              | PR 1LL, PR 1ZA, PR 1ZC, PR 1ZK                 | Diesel        | 4WD | 1968 | 120 | 163 | 06.16-08.18                              | ■ |  |  |
| 35 TDI                              | PR 1LL, PR 1ZA, PR 1ZC, PR 1ZK                 | Diesel        | FWD | 1968 | 120 | 163 | 10.21-                                   | ■ |  |  |
| 35 TDI quattro (DETB)               | PR 1LL, PR 1ZA, PR 1ZC, PR 1ZK                 | Diesel        | 4WD | 1968 | 120 | 163 | 08.18-11.20                              | ■ |  |  |
| 2.0 TDI quattro (DESA)              | PR 1LL, PR 1ZA, PR 1ZC, PR 1ZK                 | Diesel        | 4WD | 1968 | 140 | 190 | 06.16-08.18                              | ■ |  |  |
| 2.0 TDI quattro (DETA)              | PR 1LL, PR 1ZA, PR 1ZC, PR 1ZK                 | Diesel        | 4WD | 1968 | 140 | 190 | 06.16-08.18                              | ■ |  |  |
| 40 TDI quattro (DESA)               | PR 1LL, PR 1ZA, PR 1ZC, PR 1ZK                 | Diesel        | 4WD | 1968 | 140 | 190 | 10.18-                                   | ■ |  |  |
| 40 TDI quattro (DETA)               | PR 1LL, PR 1ZA, PR 1ZC, PR 1ZK                 | Diesel        | 4WD | 1968 | 140 | 190 | 10.18-                                   | ■ |  |  |
| 45 TDI quattro (DCPE)               | PR 1LL, PR 1ZA, PR 1ZC, PR 1ZK                 | Diesel        | 4WD | 2967 | 170 | 231 | 08.18-11.20                              | ■ |  |  |

# LISTA DE APLICACIONES - BUYERS GUIDE

|                                     |  |               |     |      |     |     |   |   |  |
|-------------------------------------|--|---------------|-----|------|-----|-----|---|---|--|
| 3.0 TDI quattro (DCPC)              | PR 1LJ, PR 1LL, PR 1ZA, PR 1ZC, PR 1ZK, PR 1ZL     | Diesel        | 4WD | 2967 | 210 | 286 | 07.17-11.20                                     | ■ |  |
| 50 TDI quattro (DCPC)               | PR 1LJ, PR 1LL, PR 1ZA, PR 1ZC, PR 1ZK, PR 1ZL     | Diesel        | 4WD | 2967 | 210 | 286 | 03.19-11.20                                     | ■ |  |
| <b>Q5 II Sportback (FYT) 11.20-</b> |  |               |     |      |     |     | <b>SUV (Luxury Crossover SUV-J Segment)</b>     |   |  |
| SQ5 TFSI quattro                    | PR 1LJ, PR 1LL, PR 1ZA, PR 1ZC, PR 1ZK, PR 1ZL     | Gasolina      | 4WD | 2995 | 260 | 354 | 03.21-  | ■ |  |
| 40 TFSI Mild Hybrid quattro         | PR 1LL, PR 1ZA, PR 1ZC, PR 1ZK                     | Gasol./el éc. | 4WD | 1984 | 150 | 204 | 10.21-  | ■ |  |
| 45 TFSI Mild hybrid quattro         | PR 1LJ, PR 1LL, PR 1ZA, PR 1ZC, PR 1ZK, PR 1ZL     | Gasol./el éc. | 4WD | 1984 | 183 | 249 | 04.21-  | ■ |  |
| 45 TFSI Mild hybrid quattro         | PR 1LJ, PR 1LL, PR 1ZA, PR 1ZC, PR 1ZK, PR 1ZL     | Gasol./el éc. | 4WD | 1984 | 195 | 265 | 11.20-  | ■ |  |
| 50 TFSI e quattro                   | PR 1LJ, PR 1LL, PR 1ZA, PR 1ZC, PR 1ZK, PR 1ZL     | Gasol./el éc. | 4WD | 1984 | 220 | 299 | 02.21-  | ■ |  |
| 2.0 55 TFSI e quattro               | PR 1LJ, PR 1LL, PR 1ZA, PR 1ZC, PR 1ZK, PR 1ZL     | Gasol./el éc. | 4WD | 1984 | 270 | 367 | 07.21-  | ■ |  |
| 55 TFSI e quattro                   | PR 1LJ, PR 1LL, PR 1ZA, PR 1ZC, PR 1ZK, PR 1ZL     | Gasol./el éc. | 4WD | 1984 | 270 | 367 | 06.21-  | ■ |  |
| SQ5 TFSI quattro                    | PR 1LJ, PR 1LL, PR 1ZA, PR 1ZC, PR 1ZK, PR 1ZL     | Gasol./el éc. | 4WD | 2995 | 260 | 354 | 09.22-  | ■ |  |
| 35 TDI Mild Hybrid                  | PR 1LJ, PR 1LL, PR 1ZA, PR 1ZC, PR 1ZK, PR 1ZL     | Diesel/el éc. | FWD | 1968 | 120 | 163 | 04.21-  | ■ |  |
| 40 TDI Mild Hybrid quattro          | PR 1LJ, PR 1LL, PR 1ZA, PR 1ZC, PR 1ZK, PR 1ZL     | Diesel/el éc. | 4WD | 1968 | 150 | 204 | 11.20-  | ■ |  |
| 50 TDI Mild Hybrid quattro          | PR 1LJ, PR 1LL, PR 1ZA, PR 1ZC, PR 1ZK, PR 1ZL     | Diesel/el éc. | 4WD | 2967 | 210 | 286 | 02.21-  | ■ |  |
| SQ5 TDI Mild Hybrid quattro         | PR 1LJ, PR 1LL, PR 1ZA, PR 1ZC, PR 1ZK, PR 1ZL     | Diesel/el éc. | 4WD | 2967 | 251 | 341 | 02.21-  | ■ |  |
| 40 TDI quattro (DESA)               | PR 1LJ, PR 1LL, PR 1ZA, PR 1ZC, PR 1ZK, PR 1ZL     | Diesel        | 4WD | 1968 | 140 | 190 | 04.22-  | ■ |  |
| <b>Q7 II (4MB, 4MG) 01.15-</b>      |  |               |     |      |     |     | <b>SUV Van (Luxury Crossover SUV-J Segment)</b> |   |  |
| 3.0 45 TDI Mild Hybrid quattro      | PR 1ZA, PR 1ZK, not ceramic brakes                 | Diesel/el éc. | 4WD | 2967 | 170 | 231 | 07.18-12.19                                     | ■ |  |
| 3.0 50 TDI Mild Hybrid quattro      | PR 1ZA, PR 1ZK, not ceramic brakes                 | Diesel/el éc. | 4WD | 2967 | 210 | 286 | 07.18-12.19                                     | ■ |  |
| 3.0 TDI quattro                     | PR 1ZA, PR 1ZK, not ceramic brakes                 | Diesel        | 4WD | 2967 | 160 | 218 | 08.15-12.19                                     | ■ |  |
| 3.0 TDI quattro                     | PR 1LL, PR 1ZC, not ceramic brakes                 | Diesel        | 4WD | 2967 | 200 | 272 | 01.15-12.19                                     | ■ |  |
| <b>Q7 II (4MB, 4MG, 4MQ) 01.15-</b> |  |               |     |      |     |     | <b>SUV (Luxury Crossover SUV-J Segment)</b>     |   |  |
| 45 TFSI quattro                     | PR 1LX, PR 1LZ, PR 1ZA, PR 1ZK, not ceramic brakes | Gasolina      | 4WD | 1984 | 180 | 245 | 03.20-  | ■ |  |
| 2.0 TFSI quattro (CYMC)             | PR 1ZA, PR 1ZK, not ceramic brakes                 | Gasolina      | 4WD | 1984 | 185 | 252 | 08.15-  | ■ |  |
| 2.0 TFSI quattro (CYRB)             | PR 1ZA, PR 1ZK, not ceramic brakes                 | Gasolina      | 4WD | 1984 | 185 | 252 | 08.15-  | ■ |  |
| 45 TFSI quattro                     |  | Gasolina      | 4WD | 1984 | 195 | 265 | 11.22-  | ■ |  |
| 3.0 TFSI quattro (CREC)             | PR 1ZA, PR 1ZK, not ceramic brakes                 | Gasolina      | 4WD | 2995 | 245 | 333 | 01.15-12.19                                     | ■ |  |
| 55 TFSI quattro (DCBD)              | PR 1LX, PR 1LZ, PR 1ZA, PR 1ZK, not ceramic brakes | Gasolina      | 4WD | 2995 | 250 | 340 | 03.20-  | ■ |  |
| 55 TFSI quattro (DCBE)              | PR 1LX, PR 1LZ, PR 1ZA, PR 1ZK                     | Gasolina      | 4WD | 2995 | 250 | 340 | 01.21-  | ■ |  |
| SQ7 quattro (DCUE)                  | PR 1LX, PR 1LZ, PR 1ZA, PR 1ZK                     | Gasolina      | 4WD | 3996 | 373 | 507 | 02.20-  | ■ |  |
| 2.0 TFSI e-tron quattro (CVJA)      | PR 1ZA, PR 1ZK, not ceramic brakes                 | Gasol./el éc. | 4WD | 1984 | 270 | 367 | 02.16-12.19                                     | ■ |  |
| 55 TFSI Mild Hybrid quattro (DCBD)  | PR 1LX, PR 1LZ, PR 1ZA, PR 1ZK, not ceramic brakes | Gasol./el éc. | 4WD | 2995 | 250 | 340 | 07.19-  | ■ |  |
| 55 TFSI e quattro                   | PR 1LX, PR 1LZ, PR 1ZA, PR 1ZK, not ceramic brakes | Gasol./el éc. | 4WD | 2995 | 280 | 381 | 11.19-  | ■ |  |
| 60 TFSI e quattro (DCBE)            | PR 1LX, PR 1LZ, PR 1ZA, PR 1ZK, not ceramic brakes | Gasol./el éc. | 4WD | 2995 | 335 | 455 | 11.19-  | ■ |  |
| 60 TFSI e quattro                   | PR 1LX, PR 1LZ, PR 1ZA, PR 1ZK, not ceramic brakes | Gasol./el éc. | 4WD | 2995 | 340 | 462 | 10.20-  | ■ |  |

## LISTA DE APLICACIONES - BUYERS GUIDE

|                                      |                                    |               |     |      |   |     |             |   |
|--------------------------------------|------------------------------------|---------------|-----|------|---|-----|-------------|---|
| 45 TDI Mild Hybrid quattro (DHXC)    | PR 1ZA, PR 1ZK, not ceramic brakes | Diesel/el éc. | 4WD | 2967 | 170   | 231 | 07.18-      | ■ |
| 50 TDI Mild Hybrid quattro (DHXA)    | PR 1ZA, PR 1ZK, not ceramic brakes | Diesel/el éc. | 4WD | 2967 | 210   | 286 | 07.18-      | ■ |
| 3.0 TDI e-tron quattro (CVZA)        | PR 1ZA, PR 1ZK, not ceramic brakes | Diesel/el éc. | 4WD | 2967 | 275   | 374 | 08.15-12.19 | ■ |
| 3.0 TDI quattro (CZZB)               | PR 1ZA, PR 1ZK, not ceramic brakes | Diesel        | 4WD | 2967 | 155   | 211 | 08.15-12.19 | ■ |
| 3.0 TDI quattro (CRTE)               | PR 1ZA, PR 1ZK, not ceramic brakes | Diesel        | 4WD | 2967 | 160   | 218 | 06.15-12.19 | ■ |
| 3.0 TDI quattro (CZZA)               | PR 1ZA, PR 1ZK, not ceramic brakes | Diesel        | 4WD | 2967 | 160   | 218 | 06.15-12.19 | ■ |
| 3.0 TDI quattro (CVMD)               | PR 1ZA, PR 1ZK, not ceramic brakes | Diesel        | 4WD | 2967 | 183   | 249 | 06.15-12.19 | ■ |
| 45 TDI quattro                       | PR 1ZA, PR 1ZK, not ceramic brakes | Diesel        | 4WD | 2967 | 183   | 249 | 07.19-      | ■ |
| 3.0 TDI quattro (CUEA)               | PR 1ZA, PR 1ZK, not ceramic brakes | Diesel        | 4WD | 2967 | 190   | 258 | 08.15-12.19 | ■ |
| 3.0 TDI quattro (CRTC)               | PR 1ZA, PR 1ZK, not ceramic brakes | Diesel        | 4WD | 2967 | 200   | 272 | 01.15-12.19 | ■ |
| <b>VW</b>                            |                                    |               |     |      |   |     |             |   |
| <b>TOUAREG III (CR7, RC8) 11.17-</b> |                                    |               |     |      | <b>SUV (Luxury Crossover SUV-J Segment)</b> |     |             |   |
| 2.0 TSI 4motion                      | PR 1ZA, PR 1ZK                     | Gasolina      | 4WD | 1984 | 180   | 245 | 08.18-11.22 | ■ |
| 2.0 TFSI 4motion (CYRC)              | PR 1ZA, PR 1ZK                     | Gasolina      | 4WD | 1984 | 183   | 249 | 05.18-11.23 | ■ |
| 2.0 TSI 4motion                      | PR 1ZA, PR 1ZK                     | Gasolina      | 4WD | 1984 | 185   | 252 | 09.18-11.23 | ■ |
| 2.0 TSI 4motion                      | PR 1ZA, PR 1ZK                     | Gasolina      | 4WD | 1984 | 195   | 265 | 06.23-      | ■ |
| 3.0 TSI 4motion (DCBE)               | PR 1ZA, PR 1ZK                     | Gasolina      | 4WD | 2995 | 250   | 340 | 03.18-      | ■ |
| eHybrid 4motion (DFKA)               | PR 1ZA, PR 1ZK                     | Gasol./el éc. | 4WD | 1984 | 270   | 367 | 11.20-06.22 | ■ |
| 3.0 eHybrid 4motion                  | PR 1ZA, PR 1ZK                     | Gasol./el éc. | 4WD | 2995 | 280   | 381 | 11.20-      | ■ |
| 3.0 R 4motion                        | PR 1ZA, PR 1ZK                     | Gasol./el éc. | 4WD | 2995 | 340   | 462 | 09.20-      | ■ |
| 3.0 TDI 4motion (DEND)               | PR 1ZA, PR 1ZK                     | Diesel        | 4WD | 2967 | 170   | 231 | 05.18-      | ■ |
| 3.0 TDI 4motion (CVMD)               | PR 1ZA, PR 1ZK                     | Diesel        | 4WD | 2967 | 183   | 249 | 01.18-11.23 | ■ |
| 3.0 TDI 4motion                      | PR 1ZA, PR 1ZK                     | Diesel        | 4WD | 2967 | 190   | 258 | 11.17-      | ■ |
| 3.0 TDI 4motion (DENA)               | PR 1ZA, PR 1ZK                     | Diesel        | 4WD | 2967 | 210   | 286 | 11.17-      | ■ |
| 4.0 V8 TDI 4motion (DMVB)            | PR 1ZA, PR 1ZK                     | Diesel        | 4WD | 3956 | 310   | 421 | 06.19-11.21 | ■ |