

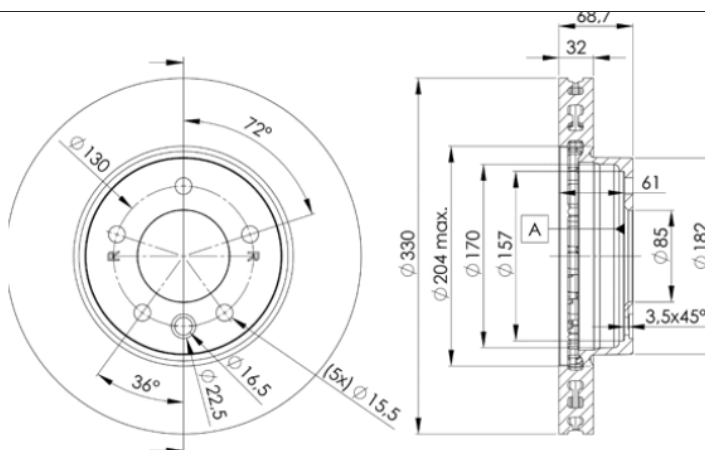
# LISTA DE APLICACIONES - BUYERS GUIDE

## 78BD3327-1



Weight: 11.252

O.E.M.	MAKE
7L6 615 302 D	VW
7L6 615 302 J	VW
7L6 615 302 N	VW
955 351 402 40	PORSCHE
955 351 402 41	PORSCHE



## 78BD3327-1

**E1** 90R-02C0452/0120



Ø330x32x68.7

MAKE
PORSCHE
VW



Trac.	CC	Kw	CV
-------	----	----	----



Front / Rear

### PORSCHE

							SUV (Luxury Crossover SUV-J Segment)			
<b>CAYENNE I (9PA) 05.02-12.10</b>										
3.2 (M02.2Y)		Gasolina	4WD	3189	177	241	08.03-09.07	■		
3.2 (M02.2Y)	Rim 17	Gasolina	4WD	3189	184	250	10.03-09.07	■		
3.6 (M 55.01)	Rim 17	Gasolina	4WD	3598	213	290	02.07-09.10	■		
S 4.5 (M 48.00)	Rim 17	Gasolina	4WD	4511	250	340	09.02-09.07	■		
Turbo 4.5 (M 48.50)	Rim 17	Gasolina	4WD	4511	331	450	09.02-09.07	■		
3.0 TDI (M 05.9D)	PR 1LK	Diesel	4WD	2967	176	240	02.09-09.10	■		

### VW

							SUV (Luxury Crossover SUV-J Segment)		
<b>TOUAREG (7LA, 7L6, 7L7) 10.02-12.13</b>									
3.2 V6 (AZZ)	PR 1LC, PR 1LE	Gasolina	4WD	3189	162	220	10.02-11.06	■	
3.2 V6 (BAA)	PR 1LC, PR 1LE	Gasolina	4WD	3189	162	220	10.02-11.06	■	
3.2 V6 (BKJ)	PR 1LC, PR 1LE	Gasolina	4WD	3189	162	220	10.02-11.06	■	
3.2 V6 (BMV)	PR 1LC, PR 1LE	Gasolina	4WD	3189	162	220	10.02-11.06	■	
3.2 V6 (BMX)	PR 1LC, PR 1LE	Gasolina	4WD	3189	162	220	10.02-11.06	■	
3.2 V6 (BRJ)	PR 1LC, PR 1LE	Gasolina	4WD	3189	162	220	10.02-11.06	■	
3.2 V6 (BMV)	PR 1LC, PR 1LE	Gasolina	4WD	3189	177	241	11.04-11.06	■	
3.6 V6 FSI (BHK)	PR 1LC, PR 1LE	Gasolina	4WD	3597	206	280	10.05-05.10	■	
3.6 V6 FSI (BHL)	PR 1LC, PR 1LE	Gasolina	4WD	3597	206	280	10.05-05.10	■	
4.2 V8 FSI (BAR)	PR 1LC, PR 1LE	Gasolina	4WD	4163	257	350	06.06-05.10	■	
4.2 V8 (AXQ)	PR 1LC, PR 1LE	Gasolina	4WD	4172	228	310	12.02-11.06	■	
6.0 W12 (BJN)	PR 1LC, PR 1LE	Gasolina	4WD	5998	331	450	08.04-05.10	■	
6.0 W12 (CFRA)	PR 1LC, PR 1LE	Gasolina	4WD	5998	331	450	08.04-05.10	■	
2.5 R5 TDI (BLK)	PR 1LC, PR 1LE	Diesel	4WD	2461	120	163	08.03-05.10	■	

# LISTA DE APLICACIONES - BUYERS GUIDE

2.5 R5 TDI (BPD)	PR 1LC, PR 1LE	Diesel	4WD	2461	120	163	08.03-05.10	■	
2.5 R5 TDI (BAC)	PR 1LC, PR 1LE	Diesel	4WD	2461	128	174	01.03-05.10	■	
2.5 R5 TDI (BPE)	PR 1LC, PR 1LE	Diesel	4WD	2461	128	174	01.03-05.10	■	
3.0 TDI (BUN)	PR 1LC, PR 1LE	Diesel	4WD	2967	155	211	04.06-05.10	■	
3.0 TDI (CASB)	PR 1LC, PR 1LE	Diesel	4WD	2967	155	211	04.06-05.10	■	
3.0 V6 TDI (BKS)	PR 1LC, PR 1LE	Diesel	4WD	2967	165	225	11.04-05.10	■	
3.0 V6 TDI (CATA)	PR 1LC, PR 1LE	Diesel	4WD	2967	165	225	11.04-05.10	■	
3.0 V6 TDI (CASA)	PR 1LC, PR 1LE	Diesel	4WD	2967	176	240	11.07-05.10	■	
3.0 V6 TDI (CASC)	PR 1LC, PR 1LE	Diesel	4WD	2967	176	240	11.07-05.10	■	
5.0 V10 TDI (AYH)	PR 1LC, PR 1LE	Diesel	4WD	4921	230	313	10.02-05.10	■	
5.0 V10 TDI (BKW)	PR 1LC, PR 1LE	Diesel	4WD	4921	230	313	10.02-05.10	■	
5.0 V10 TDI (BLE)	PR 1LC, PR 1LE	Diesel	4WD	4921	230	313	10.02-05.10	■	
5.0 V10 TDI (BWF)	PR 1LC, PR 1LE	Diesel	4WD	4921	230	313	10.02-05.10	■	
5.0 R50 TDI (CBWA)	PR 1LC, PR 1LE	Diesel	4WD	4921	257	350	08.07-05.10	■	
<b>TOUAREG II (7P5) 01.10-12.18</b>							<b>SUV Van (Luxury Crossover SUV-J Segment)</b>		
3.0 TDI 4motion	PR 1LC, PR 1LE	Diesel	4WD	2967	180	245	05.11-12.14	■	
<b>TOUAREG II (7P5, 7P6) 01.10-</b>							<b>SUV (Luxury Crossover SUV-J Segment)</b>		
3.0 V6 TSI (CJTA)	PR 1LA, PR 1LC, PR 1LE	Gasolina	4WD	2995	213	290	08.10-03.18	■	
3.0 V6 TSI (CYJA)		Gasolina	4WD	2995	235	320	01.15-03.18	■	
3.6 V6 FSI (CMTA)	PR 1LC	Gasolina	4WD	3597	183	249	08.10-03.18	■	
3.6 V6 FSI (CGRA)	PR 1LA, PR 1LC, PR 1LE	Gasolina	4WD	3597	206	280	04.10-03.18	■	
4.2 V8 FSI (CGNA)	PR 1LC, PR 1LE	Gasolina	4WD	4163	265	360	01.11-03.18	■	
3.0 V6 TSI Hybrid (CGEA)	PR 1LA, PR 1LC, PR 1LE	Gasol./el éc.	4WD	2995	279	379	04.10-03.18	■	
3.0 V6 TSI Hybrid (CGFA)	PR 1LA, PR 1LC, PR 1LE	Gasol./el éc.	4WD	2995	279	379	04.10-03.18	■	
3.0 V6 TDI (CASD)	PR 1LA, PR 1LC, PR 1LE	Diesel	4WD	2967	150	204	01.10-03.18	■	
3.0 V6 TDI (CJMA)	PR 1LA, PR 1LC, PR 1LE	Diesel	4WD	2967	150	204	01.10-03.18	■	
3.0 V6 TDI (CRCD)	PR 1LA, PR 1LC, PR 1LE	Diesel	4WD	2967	150	204	01.10-03.18	■	
3.0 V6 TDI (CVWA)	PR 1LA, PR 1LC, PR 1LE	Diesel	4WD	2967	150	204	01.10-03.18	■	
3.0 V6 TDI (CATA)	PR 1LA, PR 1LC, PR 1LE	Diesel	4WD	2967	165	225	06.10-03.18	■	
3.0 V6 TDI (CASA)	PR 1LA, PR 1LC, PR 1LE	Diesel	4WD	2967	176	240	01.10-03.18	■	
3.0 V6 TDI (CNRB)	PR 1LA, PR 1LC, PR 1LE	Diesel	4WD	2967	176	240	01.10-03.18	■	
3.0 V6 TDI (CJGD)	PR 1LC, PR 1LE	Diesel	4WD	2967	180	245	05.11-03.18	■	
3.0 V6 TDI (CRCA)	PR 1LC, PR 1LE	Diesel	4WD	2967	180	245	05.11-03.18	■	
3.0 V6 TDI (CVVA)		Diesel	4WD	2967	193	262	09.14-03.18	■	
4.2 V8 TDI (CKDA)	PR 1LA, PR 1LC, PR 1LE	Diesel	4WD	4134	250	340	01.10-03.18	■	