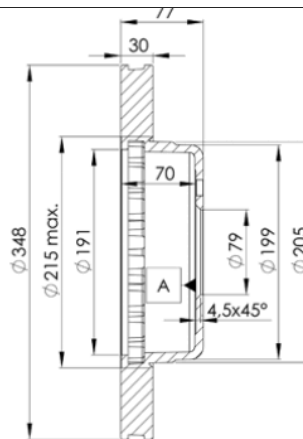
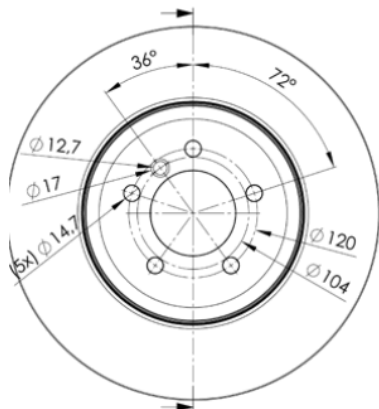


78BD3402-2



Weight: 23.552

O.E.M.	MAKE
34 11 6 763 824	BMW



78BD3402-2



Ø348x30x77

MAKE
BMW



Trac.	CC	Kw	CV
-------	----	----	----



Front / Rear

BMW

5 Serie V (E60) 12.01-03.10							Saloon (Executive car-E Segment)			
535i (N54 B30 A)		Gasolina	RWD	2979	225	306	04.06-12.09	■		
540 i (N62 B40 A)		Gasolina	RWD	4000	220	299	09.05-02.07	■		
550i (N62 B48 B)		Gasolina	RWD	4799	270	367	09.05-12.09	■		
5 Serie V Touring (E61) 03.04-12.10							Estate (Executive car-E Segment)			
530 xi (N53 B30 A)		Gasolina	4WD	2996	200	272	09.06-09.08	■		
550i (N62 B48 A)		Gasolina	RWD	4799	270	367	07.05-12.10	■		
550i (N62 B48 B)		Gasolina	RWD	4799	270	367	07.05-12.10	■		
6 Serie II (E64) 03.04-12.10							Convertible (Grand Tourer-S Segment)			
645 Ci (N62 B44 A)		Gasolina	RWD	4398	245	333	04.04-08.05	■		
650 i (N62 B48 B)		Gasolina	RWD	4799	270	367	09.05-08.10	■		
6 Serie II (E63) 09.03-12.13							Coupe (Grand Tourer-S Segment)			
645 Ci (N62 B44 A)		Gasolina	RWD	4398	245	333	09.03-08.05	■		
650 i (N62 B48 B)		Gasolina	RWD	4799	270	367	09.05-08.10	■		