

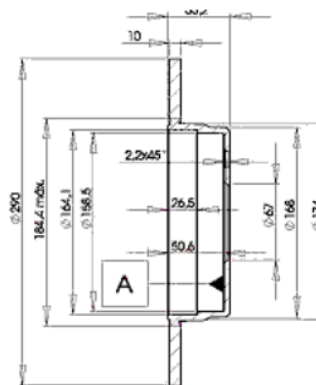
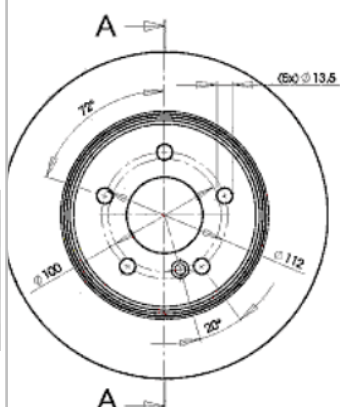
LISTA DE APLICACIONES - BUYERS GUIDE

78BD3412-2



Weight: 9.500

O.E.M.	MAKE
124 423 11 12	MERCEDES-BENZ
203 423 04 12	MERCEDES-BENZ
210 423 03 12	MERCEDES-BENZ
210 423 06 12	MERCEDES-BENZ
210 423 10 12	MERCEDES-BENZ



78BD3412-2

E1 90R-02C0453/0106



Ø290x10x55

MAKE
MERCEDES-BENZ



Trac.	CC	Kw	CV
-------	----	----	----



Front / Rear

MERCEDES-BENZ

C-Class (W202) 03.93-05.00

Saloon (Executive car-E Segment)

C 36 AMG (202.028) (M 104.941 (AMG 3.6))	vehicles with ABS	Gasolina	RWD	3606	206	280	05.94-05.00	■
--	-------------------	----------	-----	------	-----	-----	-------------	---

C-Class II (CL203) 03.01-06.11

Coupe (Compact executive car-D Segment)

C 350 (203.756) (M 272.960)		Gasolina	RWD	3498	200	272	01.05-05.08	■
C 30 CDI AMG (203.718) (OM 612.990)	vehicles with ABS	Diesel	RWD	2950	170	231	09.02-05.08	■

C-Class II (W203) 05.00-12.07

Saloon (Compact executive car-D Segment)

C 240 (203.061) (M 112.912)		Gasolina	RWD	2597	125	170	05.00-02.07	■
C 240 4-matic (203.081) (M 112.916)		Gasolina	4WD	2597	125	170	07.02-02.07	■
C 280 (203.054) (M 272.940)		Gasolina	RWD	2996	170	231	01.05-02.07	■
C 280 4-matic (203.092) (M 272.941)		Gasolina	4WD	2996	170	231	01.05-02.07	■
C 320 (203.064) (M 112.946)		Gasolina	RWD	3199	160	218	05.00-02.07	■
C 320 4-matic (203.084) (M 112.953)		Gasolina	4WD	3199	160	218	07.02-02.07	■
3.5 (203.056) (M 272.960)		Gasolina	RWD	3498	170	231	01.05-02.07	■
C 350 (203.056) (M 272.960)		Gasolina	RWD	3498	200	272	01.05-02.07	■
C 350 4-matic (203.087) (M 272.960)		Gasolina	4WD	3498	200	272	01.05-02.07	■
C 350 4-matic (203.087) (M 272.970)		Gasolina	4WD	3498	200	272	01.05-02.07	■
C 270 CDI (203.016) (OM 612.962)		Diesel	RWD	2685	120	163	12.00-02.07	■
C 270 CDI (203.016) (OM 612.962)		Diesel	RWD	2685	125	170	12.00-02.07	■
C 320 CDI (203.020) (OM 642.910)		Diesel	RWD	2987	165	224	01.05-02.07	■

C-Class II T-Model (S203) 03.01-08.07

Estate (Compact executive car-D Segment)

C 180 Kompressor (203.246) (M 271.946)		Gasolina	RWD	1796	105	143	05.02-08.07	■
C 200 Kompressor (203.245) (M 271.940)		Gasolina	RWD	1796	120	163	05.02-08.07	■

LISTA DE APLICACIONES - BUYERS GUIDE

C 200 CGI Kompressor (203.743) (M 271.942)		Gasolina	RWD	1796	125	170	07.03-08.07	■	
C 230 Kompressor (203.240) (M 271.948)		Gasolina	RWD	1796	141	192	02.04-08.07	■	
C 180 (203.235) (M 111.951)		Gasolina	RWD	1998	95	129	03.01-05.02	■	
C 200 Kompressor (203.245) (M 111.955)		Gasolina	RWD	1998	120	163	03.01-05.02	■	
C 230 (203.252) (M 272.920)		Gasolina	RWD	2496	150	204	01.05-08.07	■	
C 240 (203.261) (M 112.912)		Gasolina	RWD	2597	125	170	03.01-08.07	■	
C 240 4-matic (203.281) (M 112.916)		Gasolina	4WD	2597	125	170	07.02-08.07	■	
C 280 (203.254) (M 272.940)		Gasolina	RWD	2996	170	231	01.05-08.07	■	
C 280 4-matic (203.292) (M 272.941)		Gasolina	4WD	2996	170	231	01.05-08.07	■	
C 320 (203.264) (M 112.946)		Gasolina	RWD	3199	160	218	03.01-08.07	■	
C 320 4-matic (203.284) (M 112.953)		Gasolina	4WD	3199	160	218	07.02-08.07	■	
C 32 AMG Kompressor (203.765) (M 112.961)	vehicles with ABS	Gasolina	RWD	3199	260	354	03.01-08.07	■	
C 350 (203.256) (M 272.960)		Gasolina	RWD	3498	200	272	01.05-08.07	■	
C 350 4-matic (203.287) (M 272.970)		Gasolina	4WD	3498	200	272	01.05-08.07	■	
C 200 CDI (203.204) (OM 611.962)		Diesel	RWD	2148	75	102	03.01-08.07	■	
C 200 CDI (203.204) (OM 646.962)		Diesel	RWD	2148	75	102	03.01-08.07	■	
C 200 CDI (203.204) (OM 611.962)		Diesel	RWD	2148	85	116	03.01-08.07	■	
C 200 CDI (203.207) (OM 646.962)		Diesel	RWD	2148	90	122	04.03-08.07	■	
C 200 CDI (203.207) (OM 646.963)		Diesel	RWD	2148	90	122	04.03-08.07	■	
C 220 CDI (203.206, 203.208) (OM 611.962)		Diesel	RWD	2148	105	143	03.01-08.07	■	
C 220 CDI (203.208) (OM 646.963)		Diesel	RWD	2148	110	150	02.04-08.07	■	
C 270 CDI (203.216) (OM 612.962)		Diesel	RWD	2685	120	163	03.01-08.07	■	
C 270 CDI (203.216) (OM 612.962)		Diesel	RWD	2685	125	170	03.01-08.07	■	
C 320 CDI (203.220) (OM 642.910)		Diesel	RWD	2987	165	224	06.05-08.07	■	
C-Class III T-Model (S204) 08.07-08.14							Estate (Compact executive car-D Segment)		
C 180 Kompressor (204.246) (M 271.952)		Gasolina	RWD	1796	115	156	08.07-08.14	■	
C 200 CDI (204.207) (OM 646.811)		Diesel	RWD	2148	100	136	08.07-12.09	■	
CLC-Class (CL203) 05.08-06.11							Coupe (Compact executive car-D Segment)		
CLC 230 (203.752) (M 272.920)		Gasolina	RWD	2496	150	204	05.08-06.11	■	
CLC 250 (203.752) (M 272.920)		Gasolina	RWD	2496	150	204	06.09-06.11	■	
CLK-Class (A208) 03.98-03.02							Convertible (Executive car-E Segment)		
CLK 200 Kompressor (208.445) (M 111.944)		Gasolina	RWD	1998	141	192	03.98-06.00	■	
CLK 230 Kompressor (208.448) (M 111.973)		Gasolina	RWD	2295	142	193	03.98-06.00	■	
CLK 230 Kompressor (208.448) (M 111.975)		Gasolina	RWD	2295	142	193	03.98-06.00	■	
CLK 320 (208.465) (M 112.940)	vehicles with ABS	Gasolina	RWD	3199	160	218	03.98-03.02	■	
CLK 430 (208.470) (M 113.943)		Gasolina	RWD	4266	205	279	09.98-03.02	■	
CLK-Class (C208) 06.97-12.03							Coupe (Executive car-E Segment)		
CLK 320 (208.365) (M 112.940)	vehicles with ABS	Gasolina	RWD	3199	160	218	06.97-06.02	■	
CLK 430 (208.370) (M 113.943)		Gasolina	RWD	4266	205	279	07.98-06.02	■	
CLK-Class II (A209) 06.02-12.13							Convertible (Executive car-E Segment)		
CLK 200 Kompressor (209.442) (M 271.940)	vehicles with ABS	Gasolina	RWD	1796	120	163	02.03-03.10	■	
CLK 200 Kompressor (209.442) (M 271.955)		Gasolina	RWD	1796	135	184	10.06-03.10	■	
CLK 240 (209.461) (M 112.912)	vehicles with ABS	Gasolina	RWD	2597	125	170	02.03-03.10	■	
CLK 280 (209.454) (M 272.940)		Gasolina	RWD	2996	170	231	01.05-03.10	■	
CLK 320 (209.465) (M 112.955)	vehicles with ABS	Gasolina	RWD	3199	160	218	02.03-03.10	■	
CLK 350 (209.456) (M 272.960)		Gasolina	RWD	3498	200	272	01.05-03.10	■	
CLK 320 CDI (209.420) (OM 642.910)		Diesel	RWD	2987	165	224	03.05-03.10	■	

LISTA DE APLICACIONES - BUYERS GUIDE

CLK-Class II (C209) 05.02-12.13						Coupe (Executive car-E Segment)			
CLK 200 CGI (209.343) (M 271.942)	vehicles with ABS	Gasolina	RWD	1796	125	170	07.03-05.09	■	
CLK 200 Kompressor (209.442) (M 271.955)		Gasolina	RWD	1796	135	184	10.06-05.09	■	
CLK 240 (209.361) (M 112.912)		Gasolina	RWD	2597	120	163	06.02-05.09	■	
CLK 240 (209.361) (M 112.912)	vehicles with ABS	Gasolina	RWD	2597	125	170	06.02-05.09	■	
CLK 280 (209.354) (M 272.940)		Gasolina	RWD	2996	170	231	01.05-05.09	■	
CLK 320 (209.365) (M 112.955)	vehicles with ABS	Gasolina	RWD	3199	160	218	06.02-05.09	■	
CLK 350 (209.356) (M 272.960)		Gasolina	RWD	3498	200	272	01.05-05.09	■	
CLK 220 CDI (209.308) (OM 646.966)		Diesel	RWD	2148	110	150	01.05-05.09	■	
CLK 270 CDI (209.316) (OM 612.967)		Diesel	RWD	2685	120	163	02.03-06.05	■	
CLK 270 CDI (209.316) (OM 612.962)	vehicles with ABS	Diesel	RWD	2685	125	170	10.02-05.09	■	
CLK 270 CDI (209.316) (OM 612.967)	vehicles with ABS	Diesel	RWD	2685	125	170	10.02-05.09	■	
CLK 320 CDI (209.320) (OM 642.910)		Diesel	RWD	2987	165	224	01.05-05.09	■	
E-Class II (W210) 06.95-08.03						Saloon (Executive car-E Segment)			
E 200 Kompressor (210.048) (M 111.947)		Gasolina	RWD	1998	137	186	06.97-03.02	■	
E 240 (210.061) (M 112.911)	vehicles with ESP, Long Wheelbase	Gasolina	RWD	2398	125	170	06.97-08.00	■	
E 240 (210.062) (M 112.914)	vehicles with ESP, Long Wheelbase	Gasolina	RWD	2597	125	170	08.00-03.02	■	
E 280 (210.053) (M 104.945)		Gasolina	RWD	2799	142	193	01.96-06.97	■	
E 280 (210.063) (M 112.921)		Gasolina	RWD	2799	150	204	12.96-03.02	■	
E 280 4-matic (210.081) (M 112.921)		Gasolina	4WD	2799	150	204	12.96-03.02	■	
E 320 (210.055) (M 104.995)		Gasolina	RWD	3199	162	220	06.95-06.97	■	
E 320 (210.065) (M 112.941)		Gasolina	RWD	3199	165	224	06.97-03.02	■	
E 320 4-matic (210.082) (M 112.941)		Gasolina	4WD	3199	165	224	06.97-03.02	■	
E 36 AMG		Gasolina	RWD	3606	200	272	04.96-01.98	■	
E 420 (210.072) (M 119.985)		Gasolina	RWD	4196	205	279	01.96-06.97	■	
E 430 (210.070) (M 113.940)		Gasolina	RWD	4266	205	279	06.97-03.02	■	
E 430 4-matic (210.083) (M 113.940)		Gasolina	4WD	4266	205	279	05.99-03.02	■	
E 50 AMG (210.072) (M 119.985 (AMG 5.0))		Gasolina	RWD	4973	255	347	02.96-08.97	■	
E 270 CDI (210.016) (OM 612.961)		Diesel	RWD	2685	120	163	07.99-03.02	■	
E 270 CDI (210.016) (OM 612.961)		Diesel	RWD	2685	125	170	07.99-03.02	■	
E 300 Turbo-D (210.025) (OM 606.962)		Diesel	RWD	2996	130	177	12.96-07.99	■	
E 320 CDI (210.026) (OM 613.961)		Diesel	RWD	3222	145	197	07.99-03.02	■	
E-Class II T-Model (S210) 06.96-03.03						Estate (Executive car-E Segment)			
E 290 T Turbo-D (210.217) (OM 602.982)		Diesel	RWD	2874	95	129	06.96-07.99	■	
E-Class T-Model (S124) 06.93-06.96						Estate (Executive car-E Segment)			
E 36 T AMG (124.092) (M 104.992 (AMG 3.6))		Gasolina	RWD	3606	200	272	05.94-06.96	■	
SL-Class IV (R230) 10.01-12.13						Convertible (Grand Tourer-S Segment)			
350 (230.456) (M 272.966)		Gasolina	RWD	3498	200	272	03.06-01.12	■	
SLK-Class II (R171) 03.04-12.15						Convertible (Sports car-S Segment)			
200 Kompressor (171.445) (M 271.944)	AMG Sports Package	Gasolina	RWD	1796	120	163	03.04-02.11	■	
200 Kompressor (171.445) (M 271.954)	sports chassis	Gasolina	RWD	1796	135	184	01.08-02.11	■	
280 (171.454) (M 272.942)	AMG Sports Package	Gasolina	RWD	2996	170	231	01.05-02.11	■	
350 (171.456) (M 272.963)		Gasolina	RWD	3498	200	272	06.04-02.11	■	