

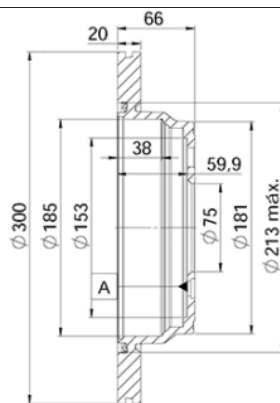
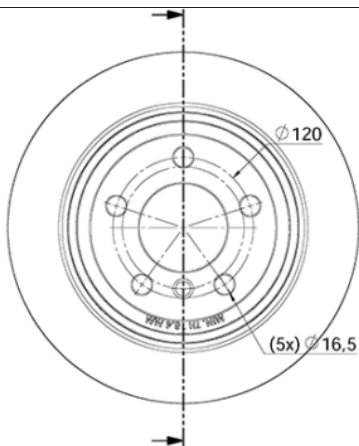
# LISTA DE APLICACIONES - BUYERS GUIDE

## 78BD3418-2



Weight: 13.556

O.E.M.	MAKE
34 21 6 792 229	BMW
34 21 6 864 900	BMW
6792229	BMW
6864900	BMW



## 78BD3418-2

**E1 90R-02C0656/0123**



Ø300x20x66

**MAKE**

BMW



Trac.	CC	Kw	CV
-------	----	----	----



Front / Rear

### BMW

3 Serie VI (F30, F80) 11.11-10.18							Saloon (Compact executive car-D Segment)				
320i (N13 B16 A)		Gasolina	RWD	1598	125	170	11.12-06.16				■
320i (N20 B20 A)		Gasolina	RWD	1997	135	184	03.12-10.18				■
320i (N20 B20 B)		Gasolina	RWD	1997	135	184	03.12-10.18				■
320i (N20 B20 D)		Gasolina	RWD	1997	135	184	03.12-10.18				■
320 i xDrive (N20 B20 A)	not M technique, not Performance brak	Gasolina	4WD	1997	135	184	07.12-10.18				■
320 i xDrive (N20 B20 B)	not M technique, not Performance brak	Gasolina	4WD	1997	135	184	07.12-10.18				■
328i (N20 B20 A)		Gasolina	RWD	1997	160	218	11.11-06.15				■
328i (N20 B20 A)	not M technique, not Performance brak	Gasolina	RWD	1997	180	245	11.11-10.18				■
328i (N20 B20 C)	not M technique, not Performance brak	Gasolina	RWD	1997	180	245	11.11-10.18				■
328i (N26 B20 A)	not M technique, not Performance brak	Gasolina	RWD	1997	180	245	11.11-10.18				■
328 i xDrive (N20 B20 A)	not M technique, not Performance brak	Gasolina	4WD	1997	180	245	07.12-08.16				■
328 i xDrive (N26 B20 A)	not M technique, not Performance brak	Gasolina	4WD	1997	180	245	07.12-08.16				■
320i (B48 B20 A)	not M technique	Gasolina	RWD	1998	135	184	07.15-10.18				■
320 i xDrive (B48 B20 A)	not M technique, not Performance brak	Gasolina	4WD	1998	135	184	07.15-10.18				■
330i (B46 B20 B)	not M technique	Gasolina	RWD	1998	185	252	07.15-10.18				■
330i (B48 B20 B)	not M technique	Gasolina	RWD	1998	185	252	07.15-10.18				■
330 i xDrive (B46 B20 B)	not M technique	Gasolina	4WD	1998	185	252	07.15-10.18				■
330 i xDrive (B48 B20 A)	not M technique	Gasolina	4WD	1998	185	252	07.15-10.18				■
330 i xDrive (B48 B20 B)	not M technique	Gasolina	4WD	1998	185	252	07.15-10.18				■

# LISTA DE APLICACIONES - BUYERS GUIDE

330 e (B48 B20 A)	not M technique, not Performance brak	Gasol./el éc.	RWD	1998	135	184	11.15-10.18	■
330 e (B48 B20 A)	not M technique, not Performance brak	Gasol./el éc.	RWD	1998	185	252	11.15-10.18	■
318 d xDrive (N47 D20 C)	not M technique, not Performance brak	Diesel	4WD	1995	105	143	07.13-06.15	■
318 d xDrive (B47 D20 A)	not M technique	Diesel	4WD	1995	110	150	07.15-02.18	■
320 d xDrive (N47 D20 C)	not M technique, not Performance brak	Diesel	4WD	1995	135	184	08.12-06.15	■
320 d xDrive (B47 D20 A)	not M technique	Diesel	4WD	1995	140	190	07.15-10.18	■
320 d xDrive (N47 D20 C)	not M technique, not Performance brak	Diesel	4WD	1995	147	200	08.12-06.15	■
325 d (B47 D20 B)	not M technique, not Performance brak	Diesel	RWD	1995	165	224	03.16-02.18	■
<b>3 Serie VI GRAN TURISMO (F34) 07.12-</b>					<b>Hatchback (Compact executive car-D Segment)</b>			
320i (N20 B20 A)	not M technique, not Performance brak	Gasolina	RWD	1997	135	184	03.13-06.16	■
320i (N20 B20 B)	not M technique, not Performance brak	Gasolina	RWD	1997	135	184	03.13-06.16	■
320 i xDrive (N20 B20 A)	not M technique, not Performance brak	Gasolina	4WD	1997	135	184	11.12-06.16	■
320 i xDrive (N20 B20 B)	not M technique, not Performance brak	Gasolina	4WD	1997	135	184	11.12-06.16	■
328i (N20 B20 A)	not M technique, not Performance brak	Gasolina	RWD	1997	180	245	03.13-06.16	■
328i (N26 B20 A)	not M technique, not Performance brak	Gasolina	RWD	1997	180	245	03.13-06.16	■
328 i xDrive (N20 B20 A)	not M technique	Gasolina	4WD	1997	180	245	07.13-06.16	■
328 i xDrive (N26 B20 A)	not M technique	Gasolina	4WD	1997	180	245	07.13-06.16	■
330 i xDrive (B48 B20 B)		Gasolina	4WD	1998	183	249	07.16-	■
330i (B48 B20 B)		Gasolina	RWD	1998	185	252	07.16-	■
330 i xDrive (B46 B20 B)		Gasolina	4WD	1998	185	252	07.16-	■
330 i xDrive (B48 B20 B)		Gasolina	4WD	1998	185	252	07.16-	■
318 d (N47 D20 C)	not M technique	Diesel	RWD	1995	105	143	03.13-06.15	■
318 d (B47 D20 A)	not M technique, not Performance brak	Diesel	RWD	1995	110	150	07.15-	■
320 d (N47 D20 C)	not M technique, not Performance brak	Diesel	RWD	1995	135	184	03.13-06.15	■
320 d xDrive (N47 D20 C)	not M technique, not Performance brak	Diesel	4WD	1995	135	184	07.13-06.15	■
320 d (B47 D20 A)	not M technique, not Performance brak	Diesel	RWD	1995	140	190	07.15-	■
320 d xDrive (B47 D20 A)	not M technique, not Performance brak	Diesel	4WD	1995	140	190	07.15-	■
320 d (N47 D20 C)	not M technique, not Performance brak	Diesel	RWD	1995	147	200	03.13-06.15	■
320 d xDrive (N47 D20 C)	not M technique, not Performance brak	Diesel	4WD	1995	147	200	07.13-06.15	■
325 d (B47 D20 B)		Diesel	RWD	1995	165	224	07.16-02.18	■
<b>3 Serie VI Touring (F31) 07.12-06.19</b>					<b>Estate (Compact executive car-D Segment)</b>			
318i (B38 B15 A)	not M technique	Gasolina	RWD	1499	100	136	07.15-06.19	■
320i (N20 B20 B)		Gasolina	RWD	1997	135	184	11.12-06.15	■
320 i xDrive (N20 B20 B)	not M technique, not Performance brak	Gasolina	4WD	1997	135	184	03.13-06.15	■
328i (N20 B20 A)	not M technique, not Performance brak	Gasolina	RWD	1997	180	245	07.12-06.15	■
328 i xDrive (N20 B20 A)	not M technique, not Performance brak	Gasolina	4WD	1997	180	245	03.13-06.16	■
320i (B48 B20 A)	not M technique, not Performance brak	Gasolina	RWD	1998	135	184	07.15-06.19	■
320 i xDrive (B48 B20 A)	not M technique, not Performance brak	Gasolina	4WD	1998	135	184	07.15-06.19	■
330i (B48 B20 A)	not M technique	Gasolina	RWD	1998	185	252	07.15-06.19	■

# LISTA DE APLICACIONES - BUYERS GUIDE

330 i xDrive (B48 B20 A)	not M technique	Gasolina	4WD	1998	185	252	07.15-06.19	■	
330 i xDrive (B48 B20 B)	not M technique	Gasolina	4WD	1998	185	252	07.15-06.19	■	
316 d (B47 D20 A)	not M technique, not Performance brak	Diesel	RWD	1995	85	116	11.12-06.19	■	
316 d (N47 D20 C)	not M technique, not Performance brak	Diesel	RWD	1995	85	116	11.12-06.19	■	
318 d xDrive (N47 D20 C)	not M technique, not Performance brak	Diesel	4WD	1995	105	143	07.13-06.15	■	
318 d (B47 D20 A)	not M technique, not Performance brak	Diesel	RWD	1995	110	150	07.15-06.19	■	
318 d xDrive (B47 D20 A)	not M technique	Diesel	4WD	1995	110	150	07.15-02.18	■	
320 d (N47 D20 C)	not M technique	Diesel	RWD	1995	135	184	07.12-02.16	■	
320 d xDrive (N47 D20 C)	not M technique, not Performance brak	Diesel	4WD	1995	135	184	03.13-06.15	■	
320 d (B47 D20 A)	not M technique, not Performance brak	Diesel	RWD	1995	140	190	07.15-06.19	■	
320 d xDrive (B47 D20 A)	not M technique, not Performance brak	Diesel	4WD	1995	140	190	07.15-06.19	■	
320 d (N47 D20 C)	not M technique, not Performance brak	Diesel	RWD	1995	147	200	07.12-02.16	■	
320 d xDrive (N47 D20 C)	not M technique, not Performance brak	Diesel	4WD	1995	147	200	03.13-06.15	■	
325 d (N47 D20 D)		Diesel	RWD	1995	160	218	03.13-02.16	■	
325 d (B47 D20 B)	not M technique	Diesel	RWD	1995	165	224	03.16-02.18	■	
<b>3 Serie VI Touring Van (F31) 07.12-06.19</b>					<b>Estate Van (Compact executive car-D Segment)</b>				
330i (B48 B20 A)	not M technique	Gasolina	RWD	1998	185	252	07.15-06.19	■	
340 i (B58 B30 A)		Gasolina	RWD	2998	240	326	07.15-06.19	■	
<b>4 Serie (F33, F83) 10.13-</b>					<b>Convertible (Compact executive car-D Segment)</b>				
420 i (N20 B20 B)	not M technique	Gasolina	RWD	1997	135	184	07.14-02.16	■	
428 i (N20 B20 A)	not M technique, not Performance brak	Gasolina	RWD	1997	180	245	11.13-02.17	■	
428 i (N26 B20 A)	not M technique, not Performance brak	Gasolina	RWD	1997	180	245	11.13-02.17	■	
428 i xDrive (N20 B20 A)	not M technique, not Performance brak	Gasolina	4WD	1997	180	245	03.14-02.16	■	
428 i xDrive (N26 B20 A)	not M technique, not Performance brak	Gasolina	4WD	1997	180	245	03.14-02.16	■	
430 i (B46 B20 B)	not M technique	Gasolina	RWD	1998	185	252	03.16-07.20	■	
430 i (B48 B20 B)	not M technique	Gasolina	RWD	1998	185	252	03.16-07.20	■	
430 i xDrive (B46 B20 B)	not M technique	Gasolina	4WD	1998	185	252	03.16-07.20	■	
430 i xDrive (B48 B20 B)	not M technique	Gasolina	4WD	1998	185	252	03.16-07.20	■	
420 D (N47 D20 C)	not M technique, not Performance brak	Diesel	RWD	1995	135	184	10.13-06.15	■	
420 D (B47 D20 A)	not M technique, not Performance brak	Diesel	RWD	1995	140	190	07.15-07.20	■	
420 D (N47 D20 C)	not M technique, not Performance brak	Diesel	RWD	1995	147	200	10.13-06.15	■	
420 D		Diesel	RWD	1995	151	205	07.15-07.20	■	
425 d (N47 D20 D)		Diesel	RWD	1995	155	211	07.14-02.16	■	
425 d (N47 D20 D)	not M technique	Diesel	RWD	1995	160	218	07.14-02.16	■	
425 d (B47 D20 B)	not M technique	Diesel	RWD	1995	165	224	03.16-02.18	■	
430 d (N57 D30 A)	not M technique	Diesel	RWD	2993	190	258	07.14-07.20	■	
<b>4 Serie (F32, F82) 07.13-</b>					<b>Coupe (Compact executive car-D Segment)</b>				
418 i (B38 B15 A)	not M technique	Gasolina	RWD	1499	100	136	03.16-06.20	■	
418 i (B38 B15 A)	not M technique, not Performance brak	Gasolina	RWD	1499	100	136	07.15-12.20	■	
420 i (N20 B20 A)		Gasolina	RWD	1997	135	184	11.13-02.17	■	
420 i (N20 B20 B)		Gasolina	RWD	1997	135	184	11.13-02.17	■	
420 i (N20 B20 B)	not M technique	Gasolina	RWD	1997	135	184	03.14-02.17	■	

## LISTA DE APLICACIONES - BUYERS GUIDE

420 i xDrive (N20 B20 A)	not M technique, not Performance brak	Gasolina	4WD	1997	135	184	11.13-02.16	■
420 i xDrive (N20 B20 B)	not M technique, not Performance brak	Gasolina	4WD	1997	135	184	11.13-02.16	■
420 i xDrive (N20 B20 B)	not M technique	Gasolina	4WD	1997	135	184	07.14-02.16	■
428 i (N20 B20 A)	not M technique	Gasolina	RWD	1997	180	245	07.13-02.17	■
428 i (N26 B20 A)	not M technique	Gasolina	RWD	1997	180	245	07.13-02.17	■
428 i (N20 B20 A)	not M technique, not Performance brak	Gasolina	RWD	1997	180	245	03.14-06.16	■
428 i (N26 B20 A)	not M technique, not Performance brak	Gasolina	RWD	1997	180	245	03.14-06.16	■
428 i xDrive (N20 B20 A)	not M technique	Gasolina	4WD	1997	180	245	07.13-02.16	■
428 i xDrive (N26 B20 A)	not M technique	Gasolina	4WD	1997	180	245	07.13-02.16	■
428 i xDrive (N20 B20 A)	not M technique, not Performance brak	Gasolina	4WD	1997	180	245	03.14-02.16	■
428 i xDrive (N26 B20 A)	not M technique, not Performance brak	Gasolina	4WD	1997	180	245	03.14-02.16	■
420 i (B48 B20 A)	not M technique	Gasolina	RWD	1998	135	184	03.16-06.20	■
420 i xDrive (B48 B20 A)	not M technique	Gasolina	4WD	1998	135	184	03.16-06.20	■
430 i (B48 B20 B)		Gasolina	RWD	1998	183	249	03.16-06.20	■
430 i xDrive (B48 B20 B)		Gasolina	4WD	1998	183	249	03.16-06.20	■
430 i xDrive (B48 B20 B)		Gasolina	4WD	1998	183	249	03.16-05.21	■
430 i (B46 B20 B)	not M technique	Gasolina	RWD	1998	185	252	03.16-06.20	■
430 i (B48 B20 B)	not M technique	Gasolina	RWD	1998	185	252	03.16-06.20	■
430 i (B46 B20 B)	not M technique, not Performance brak	Gasolina	RWD	1998	185	252	03.16-05.21	■
430 i (B48 B20 B)	not M technique, not Performance brak	Gasolina	RWD	1998	185	252	03.16-05.21	■
430 i xDrive (B46 B20 B)	not M technique, not Performance brak	Gasolina	4WD	1998	185	252	03.16-06.20	■
430 i xDrive (B48 B20 B)	not M technique, not Performance brak	Gasolina	4WD	1998	185	252	03.16-06.20	■
430 i xDrive (B46 B20 B)	not M technique, not Performance brak	Gasolina	4WD	1998	185	252	03.16-05.21	■
430 i xDrive (B48 B20 B)	not M technique, not Performance brak	Gasolina	4WD	1998	185	252	03.16-05.21	■
418 D (B47 D20 A)	not M technique, not Performance brak	Diesel	RWD	1995	110	150	03.15-10.17	■
420 d xDrive (N47 D20 C)	not M technique, not Performance brak	Diesel	4WD	1995	135	184	11.13-02.15	■
420 d xDrive (N47 D20 C)	not M technique	Diesel	4WD	1995	135	184	03.14-02.15	■
420 D (N47 D20 C)	not M technique, not Performance brak	Diesel	RWD	1995	147	200	03.14-02.15	■
420 d xDrive (N47 D20 C)	not M technique, not Performance brak	Diesel	4WD	1995	147	200	11.13-03.15	■
420 d xDrive (N47 D20 C)	not M technique, not Performance brak	Diesel	4WD	1995	147	200	03.14-02.15	■
425 d (B47 D20 B)		Diesel	RWD	1995	155	211	03.16-02.18	■
425 d (B47 D20 B)	not M technique	Diesel	RWD	1995	165	224	03.16-10.17	■
425 d (B47 D20 B)	not M technique, not Performance brak	Diesel	RWD	1995	165	224	03.16-02.18	■