

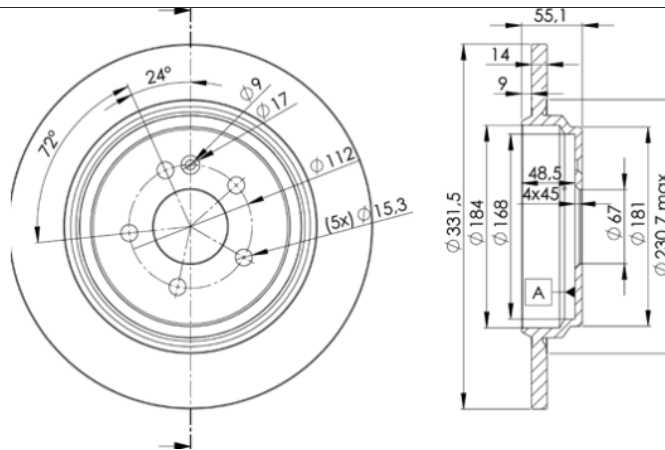
# LISTA DE APLICACIONES - BUYERS GUIDE

## 78BD3505-2



Weight: 16.496

O.E.M.	MAKE
163 423 0012	MERCEDES-BENZ



## 78BD3505-2



Ø331.5x14x55.1

MAKE
MERCEDES-BENZ



Trac.	CC	Kw	CV
-------	----	----	----



### MERCEDES-BENZ

#### M-Class (W163) 02.98-12.06

#### SUV (Executive SUV-J Segment)

ML 230 (163.136) (M 111.977)	ch. a289560,x754620	Gasolina	4WD	2295	110	150	02.98-06.05	■
ML 320 (163.154) (M 112.942)	ch. a289560,x754620	Gasolina	4WD	3199	160	218	02.98-06.03	■
ML 350 (163.157) (M 112.970)	ch. a289560,x754620	Gasolina	4WD	3724	173	235	02.03-06.05	■
ML 350 (163.157) (M 112.970)	ch. a289560,x754620	Gasolina	4WD	3724	180	245	08.02-06.05	■
ML 430 (163.172) (M 113.942)	09/98-, -ch X707755	Gasolina	4WD	4266	200	272	02.98-06.05	■
ML 500 (163.175) (M 113.964)		Gasolina	4WD	4966	215	292	09.01-06.05	■
ML 500 (163.175) (M 113.965)		Gasolina	4WD	4966	215	292	09.01-06.05	■
ML 55 AMG (163.174) (M 113.981)		Gasolina	4WD	5439	255	347	02.00-06.05	■
ML 270 CDI (163.113) (OM 612.963)	ch- A28960, ch. a289560,x754620	Diesel	4WD	2685	120	163	12.99-06.05	■
ML 400 CDI (163.128) (OM 628.963)		Diesel	4WD	3996	184	250	09.01-06.05	■