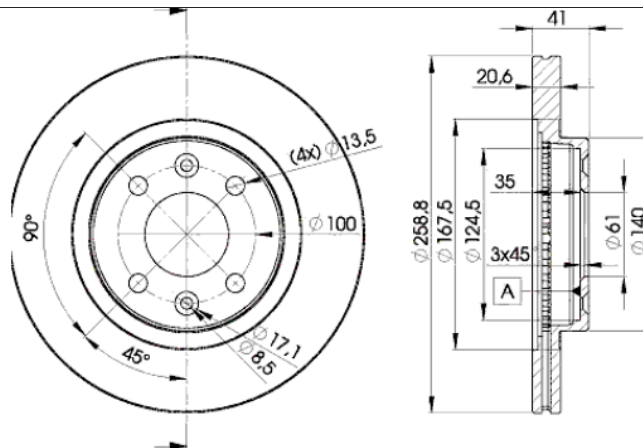


LISTA DE APLICACIONES - BUYERS GUIDE

78BD3550-2



Weight: 9.936



78BD3550-2



Ø259x20.6x41

O.E.M.	MAKE
4020600Q0E	NISSAN
4020600Q0K	NISSAN
40206-00QAA	NISSAN
402062984R	DACIA
60 01 548 578	DACIA
77 00 780 892	RENAULT
77 00 813 549	RENAULT
77 00 842 131	RENAULT
77 01 204 228	RENAULT
77 01 204 304	RENAULT
77 01 204 828	RENAULT
77 01 205 653	DACIA
77 01 206 339	DACIA
82 01 464 598	RENAULT
8671013532	DACIA
8671016876	DACIA

MAKE
DACIA
LADA
MAHINDRA
MAHINDRA RENAULT
NISSAN
RENAULT



Trac.	CC	Kw	CV
-------	----	----	----



Front / Rear

DACIA

LOGAN (US_) 03.08-					Pickup (Compact car-C Segment)			
1.4 (K7J 710)		Gasolina	FWD	1390	55	75	01.09-	■
1.6 MPI 85 (K7M 800)		Gasolina	FWD	1598	62	84	05.10-	■
1.6 16V (US1Y) (K4M 690)		Gasolina	FWD	1598	77	105	01.10-08.13	■
1.6 BiFuel (K7M 800)		Gasol./Gas (LPG)	FWD	1598	62	84	05.10-	■
1.5 dCi (US00, US0J, US0Y) (K9K 794)		Diesel	FWD	1461	48	65	04.08-12.12	■
1.5 dCi (K9K 892)		Diesel	FWD	1461	55	75	05.10-	■
1.5 dCi (K9K 892)		Diesel	FWD	1461	65	88	05.10-	■

LOGAN (LS_) 08.04-					Saloon (Compact car-C Segment)			
1.2 16V (LS1N, LS02, BS02) (D4F 732)	06/09-	Gasolina	FWD	1149	55	75	02.06-	■
1.6 MPI 85 (K7M 800)		Gasolina	FWD	1598	62	84	05.10-	■
1.6 (LS0B, LS0D, LS0F, LS0H) (K7M 710)		Gasolina	FWD	1598	64	87	09.04-	■
1.6 16V (LS09, LS0L, LS0M, LS0P, LS0V, LS18, LS1S, LS1V,...) (K4M 690)		Gasolina	FWD	1598	77	105	02.06-	■
1.6 16V (LS09, LS0L, LS0M, LS0P, LS0V, LS18, LS1S, LS1V,...) (K4M 694)		Gasolina	FWD	1598	77	105	02.06-	■
1.6 16V (LS09, LS0L, LS0M, LS0P, LS0V, LS18, LS1S, LS1V,...) (K4M 696)		Gasolina	FWD	1598	77	105	02.06-	■
1.6 16V (LS09, LS0L, LS0M, LS0P, LS0V, LS18, LS1S, LS1V,...) (K4M 697)		Gasolina	FWD	1598	77	105	02.06-	■
1.6 16V (LS09, LS0L, LS0M, LS0P, LS0V, LS18, LS1S, LS1V,...) (K4M 698)		Gasolina	FWD	1598	77	105	02.06-	■
1.2 16V LPG (D4F 734)		Gasol./Gas (LPG)	FWD	1149	55	75	02.06-	■
1.4 MPI LPG (LS0C) (K7J 710)		Gasol./Gas (LPG)	FWD	1390	55	75	02.06-12.12	■
1.4 MPI LPG (LS0C) (K7J 714)		Gasol./Gas (LPG)	FWD	1390	55	75	02.06-12.12	■

LISTA DE APLICACIONES - BUYERS GUIDE

1.6 BiFuel (K7M 718)		Gasol./Gas (LPG)	FWD	1598	62	84	05.10-	■	
1.6 LPG (K7M 718)		Gasol./Gas (LPG)	FWD	1598	64	87	08.04-03.11	■	
1.0 Hi-Flex (LS0R, LS1G) (D4D 760)		Gasol./Etanol	FWD	999	56	76	01.11-10.12	■	
1.6 16V Flexifuel (K4M 696)		Gasol./Etanol	FWD	1598	77	105	07.10-	■	
1.5 dCi (LS0J, LS0Y) (K9K 790)		Diesel	FWD	1461	48	65	09.05-	■	
1.5 dCi (LS04) (K9K 892)		Diesel	FWD	1461	55	75	05.10-12.12	■	
1.5 dCi (LS04) (K9K 892)		Diesel	FWD	1461	65	88	05.10-	■	
LOGAN EXPRESS (FS_) 10.07-							Estate Van (Compact car-C Segment)		
1.6 MPI 85 (K7M 800)		Gasolina	FWD	1598	62	84	05.10-	■	
1.6 LPG (K7M 818)		Gasol./Gas (LPG)	FWD	1598	62	84	05.10-12.12	■	
1.5 dCi (FS0Y, FS00, FS0J)		Diesel	FWD	1461	48	65	10.07-12.12	■	
1.5 dCi (FS0K) (K9K 792)		Diesel	FWD	1461	50	68	03.09-	■	
1.5 dCi (K9K 892)		Diesel	FWD	1461	55	75	05.10-	■	
1.5 dCi (FS0W) (K9K 796)		Diesel	FWD	1461	63	86	03.09-	■	
1.5 dCi (K9K 892)		Diesel	FWD	1461	65	88	05.10-	■	
LOGAN MCV (KS_) 02.07-							Estate (Compact car-C Segment)		
1.4 (K7J 710)		Gasolina	FWD	1390	55	75	02.07-	■	
1.6 MPI 85 (K7M 800)		Gasolina	FWD	1598	62	84	05.10-	■	
1.6 (KS0B, KS0D, KS0F) (K7M 710)		Gasolina	FWD	1598	64	87	02.07-06.13	■	
1.6 BiFuel (K7M 718)		Gasol./Gas (LPG)	FWD	1598	62	84	05.10-	■	
1.6 BiFuel (K7M 710)		Gasol./Gas (LPG)	FWD	1598	64	87	11.08-	■	
1.6 16V Hi-Flex (K4M 690)		Gasol./Etanol	FWD	1598	77	105	11.09-	■	
1.5 dCi (K9K 790)		Diesel	FWD	1461	48	65	04.08-06.13	■	
1.5 dCi (KS0K) (K9K 792)		Diesel	FWD	1461	50	68	02.07-	■	
1.5 dCi (KS04) (K9K 892)		Diesel	FWD	1461	55	75	05.10-06.13	■	
1.5 dCi (KS0W) (K9K 796)		Diesel	FWD	1461	63	86	09.07-12.12	■	
1.5 dCi (KS04) (K9K 892)		Diesel	FWD	1461	65	88	05.10-	■	
SANDERO (BS_) 06.08-							Hatchback (Compact car-C Segment)		
1.2 16V (D4F 732)		Gasolina	FWD	1149	55	75	11.08-06.13	■	
1.6 MPI 85 (BS03) (K7M 800)		Gasolina	FWD	1598	62	84	05.10-06.13	■	
1.6 16V (K4M 690)		Gasolina	FWD	1598	77	105	07.11-12.12	■	
1.6 16V (K4M 694)		Gasolina	FWD	1598	77	105	07.11-12.12	■	
1.2 16V LPG (D4F 732)		Gasol./Gas (LPG)	FWD	1149	55	75	11.08-06.13	■	
1.4 MPI LPG (K7J 714)		Gasol./Gas (LPG)	FWD	1390	53	72	01.09-12.12	■	
1.6 LPG (BS03) (K7M 818)		Gasol./Gas (LPG)	FWD	1598	60	82	01.11-12.12	■	
1.6 LPG (K7M 818)		Gasol./Gas (LPG)	FWD	1598	62	84	05.10-10.12	■	
1.6 LPG (K7M 718)		Gasol./Gas (LPG)	FWD	1598	64	87	06.08-12.12	■	
1.0 Hi-Flex (D4D 760)		Gasol./Etanol	FWD	999	56	76	01.11-12.12	■	
1.6 Hi-Flex (BS1H) (K7M 732)		Gasol./Etanol	FWD	1598	64	87	06.08-12.12	■	
1.5 dCi (K9K 790)		Diesel	FWD	1461	48	65	11.08-12.12	■	
1.5 dCi (K9K 892)		Diesel	FWD	1461	55	75	05.10-06.13	■	
1.5 dCi (K9K 796)		Diesel	FWD	1461	63	86	11.08-12.12	■	
1.5 dCi (K9K 892)		Diesel	FWD	1461	65	88	05.10-06.13	■	

LISTA DE APLICACIONES - BUYERS GUIDE

LADA

LARGUS (KS0_, RS0_, KSA_) 03.12-					Estate Van (Compact car-C Segment)			
1.6 (KS045, RS045) (21129)	Gasolina	FWD	1597	78	106	09.17-	■	
1.6 (KS0Y5, RS0Y5) (K4M)	Gasolina	FWD	1598	75	102	04.16-	■	
1.6 CNG (KSA45) (21129)	Gasol./Gas (CNG)	FWD	1597	69	94	11.18-	■	
LARGUS (KS0_, RS0_, KSA_) 03.12-					Estate (Compact car-C Segment)			
1.6 (KS035, RS035) (11189)	Gasolina	FWD	1597	64	87	04.16-03.21	■	
1.6 (KS045, RS045) (21129)	Gasolina	FWD	1597	78	106	09.17-	■	
1.6 (RS0Y5, KS0Y5) (K7M)	Gasolina	FWD	1598	62	84	03.12-	■	
1.6 (KS0Y5, RS0Y5) (K4M)	Gasolina	FWD	1598	77	105	03.12-	■	
1.6 CNG (KSA45) (21129)	Gasol./Gas (CNG)	FWD	1597	69	94	11.18-	■	
LARGUS (FS0_, FSA_) 03.12-					Van (LCVs-N1 Segment)			
1.6 (FS035) (11189)	Gasolina	FWD	1597	64	87	06.16-	■	
1.6 (FS045) (21129)	Gasolina	FWD	1597	78	106	09.17-	■	
1.6 (FS015) (K7M)	Gasolina	FWD	1598	62	84	03.12-	■	
1.6 (FS0Y5) (K4M)	Gasolina	FWD	1598	77	105	03.12-	■	
1.6 CNG (FSA45) (21129)	Gasol./Gas (CNG)	FWD	1597	69	94	11.18-	■	

MAHINDRA

VERITO 01.11-					Saloon (Compact car-C Segment)			
1.4	Gasolina	FWD	1390	56	76	01.11-	■	
1.5 dCi	Diesel	RWD	1461	48	66	01.11-	■	
VERITO VIBE 06.13-					Saloon (Compact car-C Segment)			
1.5 dCi	Diesel	RWD	1461	48	66	06.13-	■	

MAHINDRA RENAULT

LOGAN 04.07-					Saloon (Compact car-C Segment)			
1.4	Gasolina	FWD	1390	55	75	04.07-	■	
1.4 CNG	Gasolina	FWD	1390	55	75	12.10-	■	
1.6 CNG	Gasolina	FWD	1598	63	86	04.07-	■	
1.6 CNG	Gasolina	FWD	1598	63	86	04.07-	■	
1.5 D	Diesel	RWD	1461	48	65	04.07-	■	
VERITO 03.11-					Saloon (Compact car-C Segment)			
1.4	Gasolina	FWD	1390	56	76	03.11-	■	
1.5 D	Diesel	RWD	1461	48	65	03.11-	■	

NISSAN

KUBISTAR (X76) 08.03-10.09					MPV (Large MPV-M1 Segment)			
1.2	Gasolina	FWD	1149	44	60	08.03-10.09	■	
1.2 16V	Gasolina	FWD	1149	55	75	04.06-10.09	■	
1.6 16V	Gasolina	FWD	1598	70	95	08.03-10.09	■	
1.5 dCi	Diesel	FWD	1461	42	57	08.03-10.09	■	
1.5 dCi	Diesel	FWD	1461	45	61	08.05-10.09	■	
1.5 dCi	Diesel	FWD	1461	48	65	08.03-10.09	■	
1.5 dCi 70	Diesel	FWD	1461	50	68	04.06-10.09	■	
1.5 dCi	Diesel	FWD	1461	60	82	08.03-10.09	■	
1.5 dCi 85	Diesel	FWD	1461	62	85	04.06-10.09	■	

LISTA DE APLICACIONES - BUYERS GUIDE

KUBISTAR (X76) 08.03-					Van (LCVs-N1 Segment)			
1.2 (D7F 764)		Gasolina	FWD	1149	44	60	08.03-	■
1.2 16V (D4F 712)		Gasolina	FWD	1149	55	75	04.06-	■
1.4 (K7J 700)		Gasolina	FWD	1390	55	75	08.03-10.09	■
1.6 16V (K4M 752)		Gasolina	FWD	1598	70	95	08.03-10.09	■
1.5 dCi (K9K 710)		Diesel	FWD	1461	42	57	08.03-10.09	■
1.5 dCi (K9K 714)		Diesel	FWD	1461	42	57	08.03-10.09	■
1.5 dCi (K9K 710)		Diesel	FWD	1461	45	61	08.05-10.09	■
1.5 dCi (K9K 714)		Diesel	FWD	1461	45	61	08.05-10.09	■
1.5 dCi (K9K 704)		Diesel	FWD	1461	48	65	08.03-	■
1.5 dCi 70 (K9K 700)		Diesel	FWD	1461	50	68	09.05-10.09	■
1.5 dCi 70 (K9K 716)		Diesel	FWD	1461	50	68	09.05-10.09	■
1.5 dCi (K9K 722)		Diesel	FWD	1461	60	82	08.03-10.09	■
dCi 85 (K9K 276)		Diesel	FWD	1461	62	84	04.06-10.09	■
dCi 85 (K9K 718)		Diesel	FWD	1461	62	84	04.06-10.09	■
RENAULT								
CLIO (B/C57_, 5/357_) 05.90-08.99					Hatchback (Supermini car-B Segment)			
1.8 16V (C57D) (F7P 722)		Gasolina	FWD	1764	99	135	01.91-03.96	■
Williams (B/C57M) (F7R 700)		Gasolina	FWD	1998	108	147	01.94-09.98	■
CLIO II (SB0/1/2_) 09.98-					Hatchback Van (LCVs-N1 Segment)			
1.2 (SB0A, SB0F, SB1K, SB2D) (D7F 720)	06/01-	Gasolina	FWD	1149	43	58	09.98-	■
1.2 (SB0A, SB0F, SB1K, SB2D) (D7F 726)	06/01-	Gasolina	FWD	1149	43	58	09.98-	■
1.2 (SB0A, SB0F, SB1K, SB2D) (D7F 746)	06/01-	Gasolina	FWD	1149	43	58	09.98-	■
1.2 (SB0A, SB0F, SB10) (D7F 722)	06/01-	Gasolina	FWD	1149	44	60	03.99-10.03	■
1.2 (SB0A, SB0F, SB10) (D7F 726)	06/01-	Gasolina	FWD	1149	44	60	03.99-10.03	■
1.2 (SB0A, SB0F, SB10) (D7F 746)	06/01-	Gasolina	FWD	1149	44	60	03.99-10.03	■
1.6 (SB0H) (K4M 746)		Gasolina	FWD	1598	79	107	11.03-	■
1.5 dCi (SB3M)		Diesel	FWD	1461	47	64	06.05-12.10	■
1.5 dCi (SB07) (K9K 700)		Diesel	FWD	1461	48	65	06.01-	■
1.5 dCi (SB07) (K9K 704)		Diesel	FWD	1461	48	65	06.01-	■
1.5 dCi (K9K 714)		Diesel	FWD	1461	50	68	04.04-	■
1.5 dCi (K9K 702)		Diesel	FWD	1461	59	80	06.01-10.04	■
1.5 dCi (K9K 702)		Diesel	FWD	1461	60	82	11.03-	■
1.5 dCi (K9K 710)		Diesel	FWD	1461	60	82	11.03-	■
1.5 dCi (K9K 716)		Diesel	FWD	1461	60	82	11.03-	■
1.9 D (SB0E) (F8Q 630)	06/01-	Diesel	FWD	1870	47	64	09.98-	■
1.9 DTi (SB0U) (F9Q 780)		Diesel	FWD	1870	59	80	02.00-05.01	■
CLIO II (BB_, CB_) 03.98-					Hatchback (Supermini car-B Segment)			
1.2 (BB0A, BB0F, BB10, BB1K, BB28, BB2D, BB2H, CB0A,...) (D7F 710)	06/01-	Gasolina	FWD	1149	43	58	09.98-02.10	■
1.2 (BB0A, BB0F, BB10, BB1K, BB28, BB2D, BB2H, CB0A,...) (D7F 720)	06/01-	Gasolina	FWD	1149	43	58	09.98-02.10	■
1.2 (BB0A, BB0F, BB10, BB1K, BB28, BB2D, BB2H, CB0A,...) (D7F 722)	06/01-	Gasolina	FWD	1149	43	58	09.98-02.10	■
1.2 (BB0A, BB0F, BB10, BB1K, BB28, BB2D, BB2H, CB0A,...) (D7F 726)	06/01-	Gasolina	FWD	1149	43	58	09.98-02.10	■
1.2 (BB0A, BB0F, BB10, BB1K, BB28, BB2D, BB2H, CB0A,...) (D7F 746)	06/01-	Gasolina	FWD	1149	43	58	09.98-02.10	■
1.2 (BB0A, BB0F, BB10, BB1K, BB28, BB2D, BB2H, CB0A,...) (D7F 764)	06/01-	Gasolina	FWD	1149	43	58	09.98-02.10	■
1.2 (BB0A, BB0F, BB10, BB1K, BB28, BB2D, BB2H, CB0A,...) (D7F 766)	06/01-	Gasolina	FWD	1149	43	58	09.98-02.10	■
1.2		Gasolina	FWD	1149	55	75	06.01-	■

LISTA DE APLICACIONES - BUYERS GUIDE

1.2 16V (BB05, BB0W, BB11, BB27, BB2T, BB2U, BB2V, CB05,... (D4F 706)		Gasolina	FWD	1149	55	75	06.01-08.16	■
1.2 16V (BB05, BB0W, BB11, BB27, BB2T, BB2U, BB2V, CB05,... (D4F 712)		Gasolina	FWD	1149	55	75	06.01-08.16	■
1.2 16V (BB05, BB0W, BB11, BB27, BB2T, BB2U, BB2V, CB05,... (D4F 714)		Gasolina	FWD	1149	55	75	06.01-08.16	■
1.2 16V (BB05, BB0W, BB11, BB27, BB2T, BB2U, BB2V, CB05,... (D4F 722)		Gasolina	FWD	1149	55	75	06.01-08.16	■
1.2 16V (BB05, BB0W, BB11, BB27, BB2T, BB2U, BB2V, CB05,... (D4F 728)		Gasolina	FWD	1149	55	75	06.01-08.16	■
1.4 (B/CB0C, B/CB0S) (E7J 634)	06/01-	Gasolina	FWD	1390	55	75	09.98-05.05	■
1.4 (B/CB0C, B/CB0S) (E7J 635)	06/01-	Gasolina	FWD	1390	55	75	09.98-05.05	■
1.4 (B/CB0C, B/CB0S) (E7J 780)	06/01-	Gasolina	FWD	1390	55	75	09.98-05.05	■
1.4 (B/CB0C, B/CB0S) (K7J 700)	06/01-	Gasolina	FWD	1390	55	75	09.98-05.05	■
1.4 16V (B/CB0P, BB13) (K4J 710)	05/01-, -05/01, vehicles with ABS	Gasolina	FWD	1390	72	98	02.00-07.08	■
1.4 16V (B/CB0P, BB13) (K4J 711)	05/01-, -05/01, vehicles with ABS	Gasolina	FWD	1390	72	98	02.00-07.08	■
1.4 16V (B/CB0P, BB13) (K4J 712)	05/01-, -05/01, vehicles with ABS	Gasolina	FWD	1390	72	98	02.00-07.08	■
1.4 16V (B/CB0P, BB13) (K4J 713)	05/01-, -05/01, vehicles with ABS	Gasolina	FWD	1390	72	98	02.00-07.08	■
1.4 16V (B/CB0P, BB13) (K4J 715)	05/01-, -05/01, vehicles with ABS	Gasolina	FWD	1390	72	98	02.00-07.08	■
1.6 (B/CB0D, BB00) (K7M 744)	06/01-	Gasolina	FWD	1598	66	90	09.98-05.05	■
1.6 (B/CB0D, BB00) (K7M 745)	06/01-	Gasolina	FWD	1598	66	90	09.98-05.05	■
1.6 (B/CB0D, BB00) (K7M 746)	06/01-	Gasolina	FWD	1598	66	90	09.98-05.05	■
1.6 16V (BB01, BB0H, BB0T, BB14, BB1D, BB1R, BB2KL, BB3G... (K4M 708)	06/01-	Gasolina	FWD	1598	79	107	09.98-04.05	■
1.6 16V (BB01, BB0H, BB0T, BB14, BB1D, BB1R, BB2KL, BB3G... (K4M 740)	06/01-	Gasolina	FWD	1598	79	107	09.98-04.05	■
1.6 16V (BB01, BB0H, BB0T, BB14, BB1D, BB1R, BB2KL, BB3G... (K4M 742)	06/01-	Gasolina	FWD	1598	79	107	09.98-04.05	■
1.6 16V (BB01, BB0H, BB0T, BB14, BB1D, BB1R, BB2KL, BB3G... (K4M 743)	06/01-	Gasolina	FWD	1598	79	107	09.98-04.05	■
1.6 16V (BB01, BB0H, BB0T, BB14, BB1D, BB1R, BB2KL, BB3G... (K4M 744)	06/01-	Gasolina	FWD	1598	79	107	09.98-04.05	■
1.6 16V (BB01, BB0H, BB0T, BB14, BB1D, BB1R, BB2KL, BB3G... (K4M 745)	06/01-	Gasolina	FWD	1598	79	107	09.98-04.05	■
1.6 16V (BB01, BB0H, BB0T, BB14, BB1D, BB1R, BB2KL, BB3G... (K4M 748)	06/01-	Gasolina	FWD	1598	79	107	09.98-04.05	■
1.6 (BB01, BB1J) (K4M 740)		Gasolina	FWD	1598	81	110	06.99-02.09	■
1.6 (BB01, BB1J) (K4M 748)		Gasolina	FWD	1598	81	110	06.99-02.09	■
1.6 16V		Gasolina	FWD	1598	82	112	03.99-12.08	■
1.2 LPG (D7F 764)		Gasol./Gas (LPG)	FWD	1149	43	58	09.98-06.09	■
1.2 LPG (D7F 766)		Gasol./Gas (LPG)	FWD	1149	43	58	09.98-06.09	■
1.6 Flex (K4M 740)		Gasol./Etanol	FWD	1598	81	110	05.00-12.06	■
1.6 Flex (K4M 748)		Gasol./Etanol	FWD	1598	81	110	05.00-12.06	■
1.6 Hi-Flex (CB0H) (K4M 748)		Gasol./Etanol	FWD	1598	86	117	01.05-02.10	■
1.5 dCi (K9K 704)		Diesel	FWD	1461	42	57	06.01-12.06	■
1.5 dCi (B/CB3M) (K9K 740)		Diesel	FWD	1461	47	64	06.05-12.10	■
1.5 dCi (B/CB07) (K9K 700)		Diesel	FWD	1461	48	65	06.01-07.09	■
1.5 dCi (B/CB07) (K9K 704)		Diesel	FWD	1461	48	65	06.01-07.09	■
1.5 dCi (B/C2J) (K9K 700)		Diesel	FWD	1461	50	68	08.04-12.12	■
1.5 dCi (B/C2J) (K9K 714)		Diesel	FWD	1461	50	68	08.04-12.12	■
1.5 dCi (B/CB03) (K9K 702)		Diesel	FWD	1461	59	80	06.01-10.03	■
1.5 dCi (B/CB08) (K9K 702)		Diesel	FWD	1461	60	82	06.01-04.05	■
1.5 dCi (BB3N, CB3N) (K9K 718)		Diesel	FWD	1461	62	84	02.07-06.09	■

LISTA DE APLICACIONES - BUYERS GUIDE

1.5 dCi (K9K 712)		Diesel	FWD	1461	74	100	10.03-04.05	■
1.9 dTi (B/CB0U) (F9Q 780)		Diesel	FWD	1870	59	80	12.99-05.05	■
1.9 dTi (B/CB0U) (F9Q 782)		Diesel	FWD	1870	59	80	12.99-05.05	■
KANGOO (KC0/1_) 08.97-				MPV (Mini MPV-M1 Segment)				
1.0 RN		Gasolina	FWD	999	43	58	01.02-01.07	■
1.0 (D4D 700)		Gasolina	FWD	999	50	70	01.02-01.07	■
1.0 (D4D 720)		Gasolina	FWD	999	50	70	01.02-01.07	■
1.2 (KC0A, KC0K, KC0F, KC01) (D7F 710)	vehicles with ABS	Gasolina	FWD	1149	43	58	08.97-	■
1.2 (KC0A, KC0K, KC0F, KC01) (D7F 720)	vehicles with ABS	Gasolina	FWD	1149	43	58	08.97-	■
1.2 (KC0A, KC0K, KC0F, KC01) (D7F 722)	vehicles with ABS	Gasolina	FWD	1149	43	58	08.97-	■
1.2 (KC0A, KC0K, KC0F, KC01) (D7F 726)	vehicles with ABS	Gasolina	FWD	1149	43	58	08.97-	■
1.2 (KC0A, KC0K, KC0F, KC01) (D7F 744)	vehicles with ABS	Gasolina	FWD	1149	43	58	08.97-	■
1.2 (KC0A, KC0K, KC0F, KC01) (D7F 746)	vehicles with ABS	Gasolina	FWD	1149	43	58	08.97-	■
1.2 16V (KC05, KC06, KC03, KC0T, KC0W, KC1D) (D4F 712)	vehicles with ABS	Gasolina	FWD	1149	55	75	06.01-	■
1.2 16V (KC05, KC06, KC03, KC0T, KC0W, KC1D) (D4F 714)	vehicles with ABS	Gasolina	FWD	1149	55	75	06.01-	■
1.2 16V (KC05, KC06, KC03, KC0T, KC0W, KC1D) (D4F 716)	vehicles with ABS	Gasolina	FWD	1149	55	75	06.01-	■
1.2 16V (KC05, KC06, KC03, KC0T, KC0W, KC1D) (D4F 730)	vehicles with ABS	Gasolina	FWD	1149	55	75	06.01-	■
1.4 (KC0C, KC0H, KC0B, KC0M) (E7J 634)	vehicles with ABS	Gasolina	FWD	1390	55	75	08.97-	■
1.4 (KC0C, KC0H, KC0B, KC0M) (E7J 635)	vehicles with ABS	Gasolina	FWD	1390	55	75	08.97-	■
1.4 (KC0C, KC0H, KC0B, KC0M) (E7J 780)	vehicles with ABS	Gasolina	FWD	1390	55	75	08.97-	■
1.4 (KC0C, KC0H, KC0B, KC0M) (K7J 700)	vehicles with ABS	Gasolina	FWD	1390	55	75	08.97-	■
1.4 (KC0C, KC0H, KC0B, KC0M) (K7J 701)	vehicles with ABS	Gasolina	FWD	1390	55	75	08.97-	■
1.6 (KC00) (K7M 746)	vehicles with ABS	Gasolina	FWD	1598	66	90	09.99-06.01	■
1.6 16V (K4M 706)	vehicles with ABS	Gasolina	FWD	1598	70	95	06.01-03.18	■
1.6 16V (K4M 730)	vehicles with ABS	Gasolina	FWD	1598	70	95	06.01-03.18	■
1.6 16V (K4M 750)	vehicles with ABS	Gasolina	FWD	1598	70	95	06.01-03.18	■
1.6 16V (K4M 752)	vehicles with ABS	Gasolina	FWD	1598	70	95	06.01-03.18	■
1.6 16V (K4M 753)	vehicles with ABS	Gasolina	FWD	1598	70	95	06.01-03.18	■
1.6 16V bivalent (K4M 850)	vehicles with ABS	Gasol./Gas (CNG)	FWD	1598	60	82	06.05-	■
Elect'road RE (5DC 700)		Eléctrico	FWD		22	30	01.02-12.04	■
1.5 dCi (K9K 704)	vehicles with ABS	Diesel	FWD	1461	42	57	07.03-	■
1.5 dCi (K9K 700)		Diesel	FWD	1461	45	61	04.05-06.10	■
1.5 dCi (K9K 702)		Diesel	FWD	1461	45	61	04.05-06.10	■
1.5 dCi (KC07) (K9K 700)	vehicles with ABS	Diesel	FWD	1461	48	65	12.01-	■
1.5 dCi (KC07) (K9K 704)	vehicles with ABS	Diesel	FWD	1461	48	65	12.01-	■
1.5 dCi (K9K 714)	vehicles with ABS	Diesel	FWD	1461	50	68	06.05-	■
1.5 dCi (KC08, KC09) (K9K 702)	vehicles with ABS	Diesel	FWD	1461	60	82	07.02-	■
1.5 dCi (KC08, KC09) (K9K 710)	vehicles with ABS	Diesel	FWD	1461	60	82	07.02-	■
1.5 dCi (K9K 718)	vehicles with ABS	Diesel	FWD	1461	62	84	06.05-	■
D 55 1.9 (KC0D) (F8Q 662)	vehicles with ABS	Diesel	FWD	1870	40	54	08.97-	■
D 65 1.9 (KC0E, KC02, KC0J, KC0N) (F8Q 630)	vehicles with ABS	Diesel	FWD	1870	47	64	08.97-06.01	■
D 65 1.9 (KC0E, KC02, KC0J, KC0N) (F8Q 632)	vehicles with ABS	Diesel	FWD	1870	47	64	08.97-06.01	■
1.9 RXED (F8Q 632)	vehicles with ABS	Diesel	FWD	1870	48	65	09.99-06.01	■
1.9 dTi (KC0U) (F9Q 780)	vehicles with ABS	Diesel	FWD	1870	59	80	02.00-	■
KANGOO EXPRESS (FC0/1_) 08.97-				Box Body/MPV (LCVs-N1 Segment)				
1.0	vehicles with ABS	Gasolina	FWD	998	40	54	07.03-	■
1.0 (D7D 700)		Gasolina	FWD	999	43	59	01.02-01.07	■

LISTA DE APLICACIONES - BUYERS GUIDE

1.0 (D4D 700)		Gasolina	FWD	999	50	70	01.02-01.07	■	
1.0 (D4D 720)		Gasolina	FWD	999	50	70	01.02-01.07	■	
1.2 (FC01, FC0A, FC0F) (D7F 710)	vehicles with ABS	Gasolina	FWD	1149	43	58	08.97-	■	
1.2 (FC01, FC0A, FC0F) (D7F 720)	vehicles with ABS	Gasolina	FWD	1149	43	58	08.97-	■	
1.2 (FC01, FC0A, FC0F) (D7F 722)	vehicles with ABS	Gasolina	FWD	1149	43	58	08.97-	■	
1.2 (FC01, FC0A, FC0F) (D7F 726)	vehicles with ABS	Gasolina	FWD	1149	43	58	08.97-	■	
1.2 (FC01, FC0A, FC0F) (D7F 744)	vehicles with ABS	Gasolina	FWD	1149	43	58	08.97-	■	
1.2 (FC01, FC0A, FC0F) (D7F 746)	vehicles with ABS	Gasolina	FWD	1149	43	58	08.97-	■	
1.2 (FC1A) (D7F 710)	vehicles with ABS	Gasolina	FWD	1149	44	60	07.98-07.01	■	
1.2 (FC1A) (D7F 722)	vehicles with ABS	Gasolina	FWD	1149	44	60	07.98-07.01	■	
1.2 (FC1A) (D7F 744)	vehicles with ABS	Gasolina	FWD	1149	44	60	07.98-07.01	■	
1.2 (FC1A) (D7F 764)	vehicles with ABS	Gasolina	FWD	1149	44	60	07.98-07.01	■	
1.2 (FC1A) (D7F 766)	vehicles with ABS	Gasolina	FWD	1149	44	60	07.98-07.01	■	
1.2 16V (FC05, FC0W, FC1D, FC1P, FC1K, FC0T) (D4F 712)	vehicles with ABS	Gasolina	FWD	1149	55	75	10.01-	■	
1.2 16V (FC05, FC0W, FC1D, FC1P, FC1K, FC0T) (D4F 714)	vehicles with ABS	Gasolina	FWD	1149	55	75	10.01-	■	
1.2 16V (FC05, FC0W, FC1D, FC1P, FC1K, FC0T) (D4F 730)	vehicles with ABS	Gasolina	FWD	1149	55	75	10.01-	■	
1.4 (FC0C, FC0B, FC0H, FC0M) (E7J 634)	vehicles with ABS	Gasolina	FWD	1390	55	75	08.97-06.08	■	
1.4 (FC0C, FC0B, FC0H, FC0M) (E7J 635)	vehicles with ABS	Gasolina	FWD	1390	55	75	08.97-06.08	■	
1.4 (FC0C, FC0B, FC0H, FC0M) (E7J 780)	vehicles with ABS	Gasolina	FWD	1390	55	75	08.97-06.08	■	
1.4 (FC0C, FC0B, FC0H, FC0M) (K7J 700)	vehicles with ABS	Gasolina	FWD	1390	55	75	08.97-06.08	■	
1.4 (FC0C, FC0B, FC0H, FC0M) (K7J 701)	vehicles with ABS	Gasolina	FWD	1390	55	75	08.97-06.08	■	
1.6 (K7M 746)		Gasolina	FWD	1598	66	90	09.99-06.01	■	
1.6 16V (K4M 706)	vehicles with ABS	Gasolina	FWD	1598	70	95	10.01-03.18	■	
1.6 16V (K4M 752)	vehicles with ABS	Gasolina	FWD	1598	70	95	10.01-03.18	■	
1.2 BiFuel (D7F 710)		Gasol./Gas (LPG)	FWD	1149	43	58	07.98-07.01	■	
1.2 BiFuel (D7F 744)		Gasol./Gas (LPG)	FWD	1149	43	58	07.98-07.01	■	
1.6 16V bivalent (K4M 850)		Gasol./Gas (CNG)	FWD	1598	60	82	06.05-	■	
1.6 Flex (FC1U, FC1Y, FC14, FC16, FC17) (K4M 850)		Gasol./Etanol	FWD	1598	72	98	03.07-12.18	■	
1.5 dCi (FC1R) (K9K 704)	vehicles with ABS	Diesel	FWD	1461	42	57	12.02-	■	
1.5 dCi (K9K 716)		Diesel	FWD	1461	45	61	10.05-	■	
1.5 dCi (FC07, FC1R) (K9K 700)	vehicles with ABS	Diesel	FWD	1461	48	65	12.01-	■	
1.5 dCi (FC07, FC1R) (K9K 702)	vehicles with ABS	Diesel	FWD	1461	48	65	12.01-	■	
1.5 dCi (FC07, FC1R) (K9K 704)	vehicles with ABS	Diesel	FWD	1461	48	65	12.01-	■	
1.5 dCi (FC1E) (K9K 714)	vehicles with ABS	Diesel	FWD	1461	50	68	06.05-	■	
1.5 dCi (FC08, FC09) (K9K 702)	vehicles with ABS	Diesel	FWD	1461	60	82	04.03-	■	
1.5 dCi (FC08, FC09) (K9K 710)	vehicles with ABS	Diesel	FWD	1461	60	82	04.03-	■	
1.5 dCi (FC1G) (K9K 718)	vehicles with ABS	Diesel	FWD	1461	62	84	06.05-	■	
D 55 1.9 (FC0D) (F8Q 662)	vehicles with ABS	Diesel	FWD	1870	40	54	08.97-	■	
D 65 1.9 (FC0E, FC02, FC0J, FC0N) (F8Q 630)	vehicles with ABS	Diesel	FWD	1870	47	64	08.97-	■	
D 65 1.9 (FC0E, FC02, FC0J, FC0N) (F8Q 632)	vehicles with ABS	Diesel	FWD	1870	47	64	08.97-	■	
1.9 D (FC0J) (F8Q 632)	vehicles with ABS	Diesel	FWD	1870	48	65	09.99-06.03	■	
1.9 dTi (FC0U) (F9Q 780)	vehicles with ABS	Diesel	FWD	1870	59	80	02.00-	■	
1.9 dCi (FC0V) (F9Q 782)	vehicles with ABS	Diesel	FWD	1870	62	84	07.03-	■	
1.9 dCi (FC0V) (F9Q 790)	vehicles with ABS	Diesel	FWD	1870	62	84	07.03-	■	
KANGOO II / GRAND KANGOO (KW0/1_) 02.08-					MPV (Mini MPV-M1 Segment)				
1.5 dCi		Diesel	FWD	1461	48	65	01.09-	■	
1.5 dCi 70 (KW0V, KW0A) (K9K 800)		Diesel	FWD	1461	50	68	02.08-	■	

LISTA DE APLICACIONES - BUYERS GUIDE

1.5 dCi 70 (KW0V, KW0A) (K9K 802)		Diesel	FWD	1461	50	68	02.08-	■	
LOGAN II MCV / TONDAR (K8_) 11.13-					Estate (Compact car-C Segment)				
1.6 (K7M 812)		Gasolina	FWD	1598	59	80	12.13-	■	
1.5 dCi (K9K 838)		Diesel	FWD	1461	62	84	12.13-	■	
1.5 dCi		Diesel	FWD	1461	66	90	12.13-	■	
LOGAN / TONDAR 90 (KS_) 04.07-					Estate (Compact car-C Segment)				
1.4 (K7J 710)		Gasolina	FWD	1390	55	75	10.07-	■	
1.5 dCi		Diesel	FWD	1461	48	65	06.11-	■	
1.5 dCi (K9K 792)	vehicles without ABS	Diesel	FWD	1461	50	68	04.07-	■	
1.5 dCi (K9K 796)		Diesel	FWD	1461	63	86	02.08-06.15	■	
1.5 dCi (KS04, KS1L)		Diesel	FWD	1461	66	90	06.11-06.15	■	
LOGAN / TONDAR 90 (LS_) 09.04-					Saloon (Compact car-C Segment)				
1.4 (K7J 710)		Gasolina	FWD	1390	55	75	09.04-	■	
1.6 (K7M 710)		Gasolina	FWD	1598	64	87	09.04-	■	
1.6 Flex		Gasolina	FWD	1598	70	95	11.07-08.12	■	
1.6		Gasolina	FWD	1598	74	101	09.14-	■	
1.6 (LS0L, LS09, LS0V, LS0P, LS18, LS1S, LS1V, LS1Y,... (K4M 690)		Gasolina	FWD	1598	77	105	04.07-10.13	■	
1.6 (LS0L, LS09, LS0V, LS0P, LS18, LS1S, LS1V, LS1Y,... (K4M 694)		Gasolina	FWD	1598	77	105	04.07-10.13	■	
1.6 (LS0L, LS09, LS0V, LS0P, LS18, LS1S, LS1V, LS1Y,... (K4M 696)		Gasolina	FWD	1598	77	105	04.07-10.13	■	
1.6 (LS0L, LS09, LS0V, LS0P, LS18, LS1S, LS1V, LS1Y,... (K4M 697)		Gasolina	FWD	1598	77	105	04.07-10.13	■	
1.6 (LS0L, LS09, LS0V, LS0P, LS18, LS1S, LS1V, LS1Y,... (K4M 698)		Gasolina	FWD	1598	77	105	04.07-10.13	■	
1.6 Flex		Gasolina	FWD	1598	82	112	07.07-	■	
1.4 LPG (K7J 714)		Gasol./Gas (LPG)	FWD	1390	53	72	02.08-10.13	■	
1.5 dCi (K9K 700)		Diesel	FWD	1461	48	65	04.06-10.13	■	
1.5 dCi (K9K 790)		Diesel	FWD	1461	48	65	04.06-10.13	■	
1.5 dCi (K9K 794)		Diesel	FWD	1461	48	65	04.06-10.13	■	
1.5 dCi (K9K 792)		Diesel	FWD	1461	50	68	04.07-	■	
1.5 dCi (K9K 796)		Diesel	FWD	1461	63	86	02.08-06.15	■	
LOGAN EXPRESS / TONDAR (US_) 04.07-					Estate Van (Compact car-C Segment)				
1.6 (K7M 710)		Gasolina	FWD	1598	64	87	04.07-	■	
1.5 dCi (K9K 792)		Diesel	FWD	1461	50	68	04.07-	■	
MEGANE (EA0/1_) 10.96-08.03					Convertible (Compact car-C Segment)				
1.4 16V (EA0D, EA1H, EA0W, EA10) (K4J 714)	-10/00	Gasolina	FWD	1390	70	95	03.99-08.03	■	
1.4 16V (EA0D, EA1H, EA0W, EA10) (K4J 750)	-10/00	Gasolina	FWD	1390	70	95	03.99-08.03	■	
1.6 e (EA0F) (K7M 702)	10/98-	Gasolina	FWD	1598	66	90	10.96-03.99	■	
1.6 e (EA0F) (K7M 703)	10/98-	Gasolina	FWD	1598	66	90	10.96-03.99	■	
2.0 (EA0G) (F3R 750)	-05/99	Gasolina	FWD	1998	84	114	04.97-08.03	■	
2.0 (EA0G) (F3R 798)	-05/99	Gasolina	FWD	1998	84	114	04.97-08.03	■	
MEGANE (BA0/1_) 08.95-12.04					Hatchback (Compact car-C Segment)				
1.4 Eco (BA0T) (E7J 624)	10/98-	Gasolina	FWD	1390	52	71	01.96-03.99	■	
1.4 e (BA0E, BA0V) (E7J 626)	10/98-	Gasolina	FWD	1390	55	75	01.96-08.03	■	
1.4 e (BA0E, BA0V) (E7J 764)	10/98-	Gasolina	FWD	1390	55	75	01.96-08.03	■	
1.4 16V (BA0D, BA1H, BA0W, BA10) (K4J 714)	-08/02	Gasolina	FWD	1390	70	95	03.99-08.03	■	
1.4 16V (BA0D, BA1H, BA0W, BA10) (K4J 750)	-08/02	Gasolina	FWD	1390	70	95	03.99-08.03	■	
1.6 i (BA0L) (K7M 720)	10/98-	Gasolina	FWD	1598	55	75	01.96-03.99	■	
1.6		Gasolina	FWD	1598	64	87	02.00-09.00	■	

LISTA DE APLICACIONES - BUYERS GUIDE

1.6 e (BA0F, BA0S) (K7M 702)	10/98-	Gasolina	FWD	1598	66	90	01.96-03.99	■
1.6 e (BA0F, BA0S) (K7M 703)	10/98-	Gasolina	FWD	1598	66	90	01.96-03.99	■
1.6 e (BA0F, BA0S) (K7M 790)	10/98-	Gasolina	FWD	1598	66	90	01.96-03.99	■
1.6 16V (BA04, BA0B, BA11, BA1J, BA16, BA19, BA1K, BA1V,... (K4M 700)	vehicles without ABS	Gasolina	FWD	1598	79	107	03.99-08.02	■
1.6 16V (BA04, BA0B, BA11, BA1J, BA16, BA19, BA1K, BA1V,... (K4M 701)	vehicles without ABS	Gasolina	FWD	1598	79	107	03.99-08.02	■
1.6 16V (BA04, BA0B, BA11, BA1J, BA16, BA19, BA1K, BA1V,... (K4M 706)	vehicles without ABS	Gasolina	FWD	1598	79	107	03.99-08.02	■
1.6 16V (BA04, BA0B, BA11, BA1J, BA16, BA19, BA1K, BA1V,... (K4M 708)	vehicles without ABS	Gasolina	FWD	1598	79	107	03.99-08.02	■
1.6 16V (BA04, BA0B, BA11, BA1J, BA16, BA19, BA1K, BA1V,... (K4M 709)	vehicles without ABS	Gasolina	FWD	1598	79	107	03.99-08.02	■
1.6 16V	vehicles without ABS	Gasolina	FWD	1598	81	110	11.01-12.08	■
2.0 i (BA0G) (F3R 750)	-02/99	Gasolina	FWD	1998	84	114	01.96-08.03	■
2.0 i (BA0G) (F3R 751)	-02/99	Gasolina	FWD	1998	84	114	01.96-08.03	■
2.0 (F3R 750)		Gasolina	FWD	1998	85	115	05.98-05.01	■
2.0 (F3R 751)		Gasolina	FWD	1998	85	115	05.98-05.01	■
2.0 (F3R 791)		Gasolina	FWD	1998	85	115	05.98-05.01	■
2.0 (F3R 796)		Gasolina	FWD	1998	85	115	05.98-05.01	■
2.0 (F3R 797)		Gasolina	FWD	1998	85	115	05.98-05.01	■
2.0 (F3R 798)		Gasolina	FWD	1998	85	115	05.98-05.01	■
1.6 LPG (K7M 702)		Gasol./Gas (LPG)	FWD	1598	66	90	08.95-03.99	■
1.6 LPG (K4M 704)		Gasol./Gas (LPG)	FWD	1598	80	109	10.00-08.02	■
1.6 LPG (K4M 712)		Gasol./Gas (LPG)	FWD	1598	80	109	10.00-08.02	■
1.9 D Eco (BA0A, BA0U, BA0R) (F8Q 620)	10/98-	Diesel	FWD	1870	47	64	01.96-08.03	■
1.9 D Eco (BA0A, BA0U, BA0R) (F8Q 622)	10/98-	Diesel	FWD	1870	47	64	01.96-08.03	■
1.9 D Eco (BA0A, BA0U, BA0R) (F8Q 624)	10/98-	Diesel	FWD	1870	47	64	01.96-08.03	■
1.9 DTI (F9Q 730)		Diesel	FWD	1870	60	82	02.00-09.00	■
1.9 dT (B/SA0K, B/SA0Y) (F8Q 784)		Diesel	FWD	1870	66	90	01.96-08.03	■
1.9 dT (B/SA0K, B/SA0Y) (F8Q 786)		Diesel	FWD	1870	66	90	01.96-08.03	■
1.9 D (F8Q 784)		Diesel	FWD	1870	69	94	04.96-02.01	■
1.9 TDI (F8Q 784)		Diesel	FWD	1870	69	94	09.96-08.03	■
1.9 dTi (BA08, BA0N) (F9Q 730)	-04/99	Diesel	FWD	1870	72	98	03.97-02.01	■
1.9 dTi (BA08, BA0N) (F9Q 731)	-04/99	Diesel	FWD	1870	72	98	03.97-02.01	■
1.9 dTi (BA08, BA0N) (F9Q 734)	-04/99	Diesel	FWD	1870	72	98	03.97-02.01	■
1.9 dTi (BA08, BA0N) (F9Q 736)	-04/99	Diesel	FWD	1870	72	98	03.97-02.01	■
1.9 DT (F8Q 784)		Diesel	FWD	1870	76	104	08.98-10.99	■
1.9 dCi (F9Q 732)		Diesel	FWD	1870	77	105	03.99-08.03	■
1.9 dCi (F9Q 738)		Diesel	FWD	1870	77	105	03.99-08.03	■
MEGANE Grandtour (KA0/1_) 03.99-08.03				Estate (Compact car-C Segment)				
1.4 e (KA0V) (E7J 626)		Gasolina	FWD	1390	55	75	03.99-08.03	■
1.4 16V (KA0D, KA1H, KA0W, KA10) (K4J 714)		Gasolina	FWD	1390	70	95	03.99-08.03	■
1.4 16V (KA0D, KA1H, KA0W, KA10) (K4J 750)		Gasolina	FWD	1390	70	95	03.99-08.03	■
1.6 e (KA0F) (K7M 702)		Gasolina	FWD	1598	66	90	03.99-08.03	■
1.6 e (KA0F) (K7M 703)		Gasolina	FWD	1598	66	90	03.99-08.03	■
1.6 16V (KA0B, KA04, KA11) (K4M 700)		Gasolina	FWD	1598	79	107	03.99-08.03	■
1.6 16V (KA0B, KA04, KA11) (K4M 701)		Gasolina	FWD	1598	79	107	03.99-08.03	■
1.6 16V (KA0B, KA04, KA11) (K4M 708)		Gasolina	FWD	1598	79	107	03.99-08.03	■
1.6 16V (KA0B, KA04, KA11) (K4M 709)		Gasolina	FWD	1598	79	107	03.99-08.03	■
1.6 BiFuel	vehicles without ABS	Gasolina	FWD	1598	79	107	04.01-07.03	■
1.9 D (KA0J, KA0R) (F8Q 622)		Diesel	FWD	1870	47	64	04.99-08.03	■

LISTA DE APLICACIONES - BUYERS GUIDE

1.9 D (KA0J, KA0R) (F8Q 790)		Diesel	FWD	1870	47	64	04.99-08.03	■	
MEGANE Classic (LA0/1_) 09.96-08.08				Saloon (Compact car-C Segment)					
1.4 (LA0E, LA0V) (E7J 626)	10/98-, -05/99	Gasolina	FWD	1390	55	75	09.96-08.03	■	
1.4 (LA0E, LA0V) (E7J 764)	10/98-, -05/99	Gasolina	FWD	1390	55	75	09.96-08.03	■	
1.4 16V (LA0D, LA1H, IA0W, LA10) (K4J 714)	-09/02	Gasolina	FWD	1390	70	95	03.99-08.03	■	
1.4 16V (LA0D, LA1H, IA0W, LA10) (K4J 750)	-09/02	Gasolina	FWD	1390	70	95	03.99-08.03	■	
1.6 i (LA0L) (K7M 720)		Gasolina	FWD	1598	55	75	09.96-03.99	■	
1.6 (K7M 704)		Gasolina	FWD	1598	64	87	02.00-09.00	■	
1.6 e (LA0F, LA0S) (K7M 702)	10/98-	Gasolina	FWD	1598	66	90	09.96-03.99	■	
1.6 e (LA0F, LA0S) (K7M 703)	10/98-	Gasolina	FWD	1598	66	90	09.96-03.99	■	
1.6 e (LA0F, LA0S) (K7M 790)	10/98-	Gasolina	FWD	1598	66	90	09.96-03.99	■	
1.6 16V (K4M 706)		Gasolina	FWD	1598	73	99	01.99-08.08	■	
1.6 16V (LA00, LA04, LA0B, LA11, LA16, LA19, LA1J, LA1K,...) (K4M 700)	-09/02, vehicles without ABS	Gasolina	FWD	1598	79	107	03.99-07.03	■	
1.6 16V (LA00, LA04, LA0B, LA11, LA16, LA19, LA1J, LA1K,...) (K4M 701)	-09/02, vehicles without ABS	Gasolina	FWD	1598	79	107	03.99-07.03	■	
1.6 16V (LA00, LA04, LA0B, LA11, LA16, LA19, LA1J, LA1K,...) (K4M 706)	-09/02, vehicles without ABS	Gasolina	FWD	1598	79	107	03.99-07.03	■	
1.6 16V (LA00, LA04, LA0B, LA11, LA16, LA19, LA1J, LA1K,...) (K4M 708)	-09/02, vehicles without ABS	Gasolina	FWD	1598	79	107	03.99-07.03	■	
1.6 16V (LA00, LA04, LA0B, LA11, LA16, LA19, LA1J, LA1K,...) (K4M 709)	-09/02, vehicles without ABS	Gasolina	FWD	1598	79	107	03.99-07.03	■	
1.6 16V	vehicles without ABS	Gasolina	FWD	1598	81	110	09.99-12.01	■	
2.0 i (LA07, LA0G) (F3R 750)	-05/99	Gasolina	FWD	1998	84	114	09.96-08.03	■	
2.0 i (LA07, LA0G) (F3R 751)	-05/99	Gasolina	FWD	1998	84	114	09.96-08.03	■	
2.0 i (LA07, LA0G) (F3R 752)	-05/99	Gasolina	FWD	1998	84	114	09.96-08.03	■	
2.0 i (LA07, LA0G) (F3R 791)	-05/99	Gasolina	FWD	1998	84	114	09.96-08.03	■	
2.0 i (LA07, LA0G) (F3R 796)	-05/99	Gasolina	FWD	1998	84	114	09.96-08.03	■	
2.0 i (LA07, LA0G) (F3R 797)	-05/99	Gasolina	FWD	1998	84	114	09.96-08.03	■	
2.0 i (LA07, LA0G) (F3R 798)	-05/99	Gasolina	FWD	1998	84	114	09.96-08.03	■	
2.0 (F3R 750)		Gasolina	FWD	1998	85	115	05.98-05.01	■	
2.0 (F3R 752)		Gasolina	FWD	1998	85	115	05.98-05.01	■	
2.0 (F3R 791)		Gasolina	FWD	1998	85	115	05.98-05.01	■	
2.0 (F3R 796)		Gasolina	FWD	1998	85	115	05.98-05.01	■	
2.0 (F3R 797)		Gasolina	FWD	1998	85	115	05.98-05.01	■	
2.0 (F3R 798)		Gasolina	FWD	1998	85	115	05.98-05.01	■	
2.0 RT (LA0G, LA07)		Gasolina	FWD	1998	112	152	10.96-02.99	■	
1.9 D (LA0A, LA0U, LA0R) (F8Q 620)	10/98-	Diesel	FWD	1870	47	64	09.96-08.03	■	
1.9 D (LA0A, LA0U, LA0R) (F8Q 622)	10/98-	Diesel	FWD	1870	47	64	09.96-08.03	■	
1.9 D (LA0A, LA0U, LA0R) (F8Q 624)	10/98-	Diesel	FWD	1870	47	64	09.96-08.03	■	
1.9 dT (LA0K, LA0Y) (F8Q 784)		Diesel	FWD	1870	66	90	09.96-08.03	■	
1.9 dT (LA0K, LA0Y) (F8Q 786)		Diesel	FWD	1870	66	90	09.96-08.03	■	
1.9 TDI (F8Q 784)	-02/99	Diesel	FWD	1870	69	94	09.96-08.03	■	
1.9 dTi (LA08, LA0N, LA0K) (F9Q 730)	-03/99	Diesel	FWD	1870	72	98	03.97-02.01	■	
1.9 dTi (LA08, LA0N, LA0K) (F9Q 731)	-03/99	Diesel	FWD	1870	72	98	03.97-02.01	■	
1.9 dTi (LA08, LA0N, LA0K) (F9Q 734)	-03/99	Diesel	FWD	1870	72	98	03.97-02.01	■	
1.9 dTi (LA08, LA0N, LA0K) (F9Q 736)	-03/99	Diesel	FWD	1870	72	98	03.97-02.01	■	
1.9 DT (F8Q 784)		Diesel	FWD	1870	76	104	08.98-10.99	■	
1.9 dCi (LA05) (F9Q 732)		Diesel	FWD	1870	77	105	03.99-07.03	■	
1.9 dCi (LA05) (F9Q 733)		Diesel	FWD	1870	77	105	03.99-07.03	■	
MEGANE Coach (DA0/1_) 03.96-08.03				Coupe (Compact car-C Segment)					
1.4 16V (DA0D, DA1H, DA0W, DA10) (K4J 700)	-09/00	Gasolina	FWD	1390	70	95	03.99-07.03	■	
1.4 16V (DA0D, DA1H, DA0W, DA10) (K4J 714)	-09/00	Gasolina	FWD	1390	70	95	03.99-07.03	■	

LISTA DE APLICACIONES - BUYERS GUIDE

1.4 16V (DA0D, DA1H, DA0W, DA10) (K4J 750)	-09/00	Gasolina	FWD	1390	70	95	03.99-07.03	■	
1.6 e (DA0F) (K7M 702)	11/97-	Gasolina	FWD	1598	66	90	03.96-03.99	■	
1.6 e (DA0F) (K7M 703)	11/97-	Gasolina	FWD	1598	66	90	03.96-03.99	■	
2.0 i (DA0G) (F3R 750)	-05/99	Gasolina	FWD	1998	84	114	03.96-08.03	■	
2.0 i (DA0G) (F3R 751)	-05/99	Gasolina	FWD	1998	84	114	03.96-08.03	■	
2.0 i (DA0G) (F3R 798)	-05/99	Gasolina	FWD	1998	84	114	03.96-08.03	■	
1.9 dTi (DA0N) (F9Q 731)	04/99-	Diesel	FWD	1870	72	98	03.97-02.01	■	
1.9 dTi (DA0N) (F9Q 734)	04/99-	Diesel	FWD	1870	72	98	03.97-02.01	■	
1.9 dTi (DA0N) (F9Q 736)	04/99-	Diesel	FWD	1870	72	98	03.97-02.01	■	
MEGANE Hatchback Van (SA0/1_) 08.95-07.03							Hatchback Van (Compact car-C Segment)		
1.9 (SA0U, SA0R, SA0A) (F8Q 620)	10/98-	Diesel	FWD	1870	47	64	08.95-09.00	■	
1.9 (SA0U, SA0R, SA0A) (F8Q 622)	10/98-	Diesel	FWD	1870	47	64	08.95-09.00	■	
1.9 (SA0U, SA0R, SA0A) (F8Q 624)	10/98-	Diesel	FWD	1870	47	64	08.95-09.00	■	
1.9 dCi (F9Q 738)		Diesel	FWD	1870	59	80	10.00-07.03	■	
MEGANE Kombi van (KA_) 02.00-07.03							Estate Van (Compact car-C Segment)		
1.4 (KA0D) (K4J 714)		Gasolina	FWD	1390	70	95	04.01-07.03	■	
1.4 (KA0D) (K4J 750)		Gasolina	FWD	1390	70	95	04.01-07.03	■	
1.6 (KA0B, KA04) (K4M 700)	vehicles without ABS	Gasolina	FWD	1598	79	107	04.01-07.03	■	
1.6 (KA0B, KA04) (K4M 701)	vehicles without ABS	Gasolina	FWD	1598	79	107	04.01-07.03	■	
1.6 (KA0B, KA04) (K4M 708)	vehicles without ABS	Gasolina	FWD	1598	79	107	04.01-07.03	■	
1.6 (KA0B, KA04) (K4M 709)	vehicles without ABS	Gasolina	FWD	1598	79	107	04.01-07.03	■	
1.6 BiFuel (KA0B) (K4M 712)	vehicles without ABS	Gasol./Gas (LPG)	FWD	1598	79	107	04.01-07.03	■	
1.6 BiFuel (KA04) (K4M 704)	vehicles without ABS	Gasol./Gas (LPG)	FWD	1598	80	109	04.01-07.03	■	
1.9 D (KA0R) (F8Q 622)		Diesel	FWD	1870	47	64	02.00-09.00	■	
1.9 dTi (KA1U) (F9Q 744)		Diesel	FWD	1870	59	80	04.01-07.03	■	
MEGANE Scenic (JA0/1_) 10.96-12.01							MPV (Compact MPV-M1 Segment)		
1.4 i (JA0E) (E7J 764)	-09/98	Gasolina	FWD	1390	55	75	01.97-09.99	■	
1.6 i (JA0L) (K7M 720)	-09/98, Manual Transmission	Gasolina	FWD	1598	55	75	01.97-09.99	■	
1.6 e (JA0F) (K7M 702)	-09/98, Manual Transmission	Gasolina	FWD	1598	66	90	10.96-10.99	■	
1.6 e (JA0F) (K7M 703)	-09/98, Manual Transmission	Gasolina	FWD	1598	66	90	10.96-10.99	■	
R 19 (B/C53_) 01.88-09.94							Hatchback (Compact car-C Segment)		
1.7 (B/C53C) (F3N 742)	vehicles with ABS	Gasolina	FWD	1721	66	90	09.88-04.92	■	
1.7 (B/C53C) (F3N 743)	vehicles with ABS	Gasolina	FWD	1721	66	90	09.88-04.92	■	
1.7 (F3N 746)	vehicles with ABS	Gasolina	FWD	1721	79	107	06.89-04.92	■	
1.8 16V (B/C53D) (F7P 704)		Gasolina	FWD	1764	99	135	06.89-04.92	■	
1.8 16V (F7P 700)		Gasolina	FWD	1764	101	137	06.89-04.92	■	
R 19 (L53_) 01.88-12.92							Saloon (Compact car-C Segment)		
1.7 (L53C) (F3N 742)	Automatic Transmiss.	Gasolina	FWD	1721	66	90	07.88-04.92	■	
1.7 (L53C) (F3N 743)	Automatic Transmiss.	Gasolina	FWD	1721	66	90	07.88-04.92	■	
1.7 (L533) (F2N 720)	Automatic Transmiss.	Gasolina	FWD	1721	68	92	09.88-12.92	■	
1.7 (L533) (F2N 721)	Automatic Transmiss.	Gasolina	FWD	1721	68	92	09.88-12.92	■	
1.7 (L53F) (F3N 746)		Gasolina	FWD	1721	79	107	08.88-12.92	■	
1.8 16V (L53D) (F7P 704)		Gasolina	FWD	1764	99	135	10.89-04.92	■	
1.8 16V (F7P 700)		Gasolina	FWD	1764	101	137	06.89-08.90	■	
R 19 II (D53_) 07.91-04.92							Convertible (Compact car-C Segment)		
1.8 16V (D53D) (F7P 704)		Gasolina	FWD	1764	99	135	04.92-06.96	■	
1.8 16V (D53D) (F7P 700)		Gasolina	FWD	1764	101	137	07.91-04.92	■	

LISTA DE APLICACIONES - BUYERS GUIDE

1.8 16V (D53D) (F7P 704)		Gasolina	FWD	1764	101	137	07.91-04.92	■	
1.8 16V (D53D) (F7P 704)		Gasolina	FWD	1764	101	137	05.92-04.94	■	
1.8 (853A) (F3P 706)		Gasolina	FWD	1794	66	90	09.93-06.96	■	
1.8 (853A) (F3P 760)		Gasolina	FWD	1794	66	90	09.93-06.96	■	
1.8 (D53Y) (F3P 706)		Gasolina	FWD	1794	69	94	04.92-01.96	■	
1.8 (D53Y) (F3P 707)		Gasolina	FWD	1794	69	94	04.92-01.96	■	
1.8		Gasolina	FWD	1794	86	117	01.95-06.01	■	
R 19 II (B/C53_) 01.91-06.01							Hatchback (Compact car-C Segment)		
1.7 (B/C53B) (F3N 740)		Gasolina	FWD	1721	54	73	04.92-12.95	■	
1.7 (B/C53B) (F3N 741)		Gasolina	FWD	1721	54	73	04.92-12.95	■	
1.7 (B/C53C) (F3N 743)		Gasolina	FWD	1721	66	90	04.92-12.95	■	
1.7 (F3N 746)		Gasolina	FWD	1721	79	107	05.92-09.94	■	
1.8 16V (B/C53D) (F7P 704)		Gasolina	FWD	1764	99	135	04.92-12.95	■	
1.8 16V (F7P 702)		Gasolina	FWD	1764	104	141	10.96-06.01	■	
1.8 (B/C53Y) (F3P 706)		Gasolina	FWD	1794	65	88	04.92-12.95	■	
1.8 (B/C53Y) (F3P 707)		Gasolina	FWD	1794	65	88	04.92-12.95	■	
1.8 (B/C53Y) (F3P 708)		Gasolina	FWD	1794	65	88	04.92-12.95	■	
1.8 (B/C53Y) (F3P 760)		Gasolina	FWD	1794	65	88	04.92-12.95	■	
1.8 (5/353A) (F3P 706)		Gasolina	FWD	1794	66	90	04.92-12.95	■	
1.8 (5/353A) (F3P 760)		Gasolina	FWD	1794	66	90	04.92-12.95	■	
1.8 (5/353F, B/C538) (F3P 682)		Gasolina	FWD	1794	79	107	05.94-12.95	■	
1.8 (5/353F, B/C538) (F3P 765)		Gasolina	FWD	1794	79	107	05.94-12.95	■	
1.8 (B/C538) (F3P 700)		Gasolina	FWD	1794	81	110	04.92-05.94	■	
1.9 dT (B/C53T) (F8Q 744)	02/95-	Diesel	FWD	1870	66	90	04.92-12.95	■	
R 19 II CHAMADE (L53_) 04.92-08.03							Saloon (Compact car-C Segment)		
1.6 (K7M 703)		Gasolina	FWD	1598	66	90	10.96-06.01	■	
1.7 (L533) (F2N 720)		Gasolina	FWD	1721	68	92	01.93-08.95	■	
1.7 (L533) (F2N 721)		Gasolina	FWD	1721	68	92	01.93-08.95	■	
1.8 16V (L53D) (F7P 704)		Gasolina	FWD	1764	99	135	04.92-12.95	■	
1.8 (L53Y) (F3P 704)		Gasolina	FWD	1794	65	88	04.92-12.95	■	
1.8 (L53Y) (F3P 705)		Gasolina	FWD	1794	65	88	04.92-12.95	■	
1.8 (L53Y) (F3P 706)		Gasolina	FWD	1794	65	88	04.92-12.95	■	
1.8 (L53Y) (F3P 707)		Gasolina	FWD	1794	65	88	04.92-12.95	■	
1.8 (L53Y) (F3P 708)		Gasolina	FWD	1794	65	88	04.92-12.95	■	
1.8 (L53Y) (F3P 760)		Gasolina	FWD	1794	65	88	04.92-12.95	■	
1.8 (453A/F) (F3P 706)		Gasolina	FWD	1794	66	90	04.92-12.95	■	
1.8 (453A/F) (F3P 760)		Gasolina	FWD	1794	66	90	04.92-12.95	■	
1.8 (F3P 765)		Gasolina	FWD	1794	67	91	05.92-09.94	■	
1.8 (F3P 700)		Gasolina	FWD	1794	79	107	05.92-11.95	■	
1.8 (F3P 706)		Gasolina	FWD	1794	79	107	05.92-11.95	■	
1.8 (L53V, L538) (F3P 682)		Gasolina	FWD	1794	79	107	05.94-12.95	■	
1.8 (L538) (F3P 700)		Gasolina	FWD	1794	81	110	04.92-05.94	■	
1.9 dT (L53T) (F8Q 744)	02/95-	Diesel	FWD	1870	66	90	04.92-12.95	■	
1.9 D (F8Q 740)	02/95-	Diesel	FWD	1870	68	92	05.92-11.95	■	
1.9 D (F8Q 744)	02/95-	Diesel	FWD	1870	68	92	05.92-11.95	■	
SANDERO/STEPWAY (BS_) 11.07-							Hatchback (Compact car-C Segment)		
1.4 (K7J 710)		Gasolina	FWD	1390	55	75	02.09-07.13	■	
1.6 (K7M 718)		Gasolina	FWD	1598	62	84	11.10-07.13	■	
1.6 (BS0H, BS0F) (K7M 710)		Gasolina	FWD	1598	64	87	02.09-10.12	■	
1.6		Gasolina	FWD	1598	66	90	05.09-	■	

LISTA DE APLICACIONES - BUYERS GUIDE

1.6 (K7M 710)		Gasolina	FWD	1598	75	102	12.07-07.13	■	
1.6 (K4M 697)		Gasolina	FWD	1598	76	103	12.07-07.13	■	
1.6 (K4M 690)		Gasolina	FWD	1598	77	105	05.12-12.12	■	
1.6 (BS0V, BS1V)		Gasolina	FWD	1598	82	112	09.09-12.15	■	
1.4 LPG (K7J 714)		Gasol./Gas (LPG)	FWD	1390	53	72	02.09-12.12	■	
1.6 Flex		Gasol./Etanol	FWD	1598	77	105	12.12-	■	
1.6 Flex (BS0V, BS1V, BS09)		Gasol./Etanol	FWD	1598	82	112	08.08-06.14	■	
THALIA II / SYMBOL (LU_) 09.08-					Saloon (Supermini car-B Segment)				
1.4 (K4J 712)		Gasolina	FWD	1390	72	98	01.09-12.11	■	
1.6 16V (K4M 743)		Gasolina	FWD	1598	77	105	09.08-03.13	■	
1.6 16V (LU1A, LU1B, LU1D, LU2M) (K4M 744)		Gasolina	FWD	1598	79	107	01.09-06.14	■	
1.6 16V (LU1A, LU1B, LU1D, LU2M) (K4M 745)		Gasolina	FWD	1598	79	107	01.09-06.14	■	
THALIA / SYMBOL (LB_) 02.98-					Saloon (Supermini car-B Segment)				
1.2 16V (D4F 706)		Gasolina	FWD	1149	55	75	04.02-02.09	■	
1.2 16V (D4F 712)		Gasolina	FWD	1149	55	75	04.02-02.09	■	
1.2 16V (D4F 728)		Gasolina	FWD	1149	55	75	04.02-02.09	■	
1.4 16V (K4J 712)		Gasolina	FWD	1390	72	98	08.00-02.09	■	
1.6 (K7M 746)		Gasolina	FWD	1598	66	90	03.98-10.08	■	
1.6 16V (K4M 740)		Gasolina	FWD	1598	79	107	07.00-02.09	■	
1.6 Flex		Gasolina	FWD	1598	81	110	11.04-02.09	■	
1.6 (K4M 736)		Gasolina	FWD	1598	82	112	01.04-12.08	■	
1.6 Authentique Hi-Flex (LB26, LB3E) (K4M 742)		Gasol./Etanol	FWD	1598	86	115	11.04-02.09	■	
1.6 Authentique Hi-Flex (LB26, LB3E) (K4M 743)		Gasol./Etanol	FWD	1598	86	115	11.04-02.09	■	
1.5 dCi (K9K 740)		Diesel	FWD	1461	47	64	06.05-02.09	■	
1.5 dCi (K9K 700)		Diesel	FWD	1461	48	65	04.02-02.09	■	
1.5 dCi (K9K 700)		Diesel	FWD	1461	50	68	02.03-02.09	■	
1.5 dCi (K9K 714)		Diesel	FWD	1461	50	68	02.03-02.09	■	
1.5 dCi (K9K 706)		Diesel	FWD	1461	58	79	04.04-02.09	■	
1.9 D (F8Q 630)		Diesel	FWD	1870	48	65	02.98-05.01	■	
TWINGO (S06_) 03.93-06.12					Hatchback Van (LCVs-N1 Segment)				
1.2 (S066, S068) (D7F 700)	09/00-	Gasolina	FWD	1149	43	58	05.96-08.04	■	
1.2 (S066, S068) (D7F 701)	09/00-	Gasolina	FWD	1149	43	58	05.96-08.04	■	
1.2 (S066, S068) (D7F 702)	09/00-	Gasolina	FWD	1149	43	58	05.96-08.04	■	
1.2 (S066, S068) (D7F 703)	09/00-	Gasolina	FWD	1149	43	58	05.96-08.04	■	
1.2 (S066, S068) (D7F 704)	09/00-	Gasolina	FWD	1149	43	58	05.96-08.04	■	
1.2 (S066, S068) (D7F 706)	09/00-	Gasolina	FWD	1149	43	58	05.96-08.04	■	
1.2	09/00-	Gasolina	FWD	1149	44	60	03.97-08.03	■	
TWINGO (C06_) 03.93-10.12					Hatchback (City car-A Segment)				
1.2 (C067) (D7F 700)	09/00-	Gasolina	FWD	1149	40	54	05.96-03.07	■	
1.2 (C067) (D7F 701)	09/00-	Gasolina	FWD	1149	40	54	05.96-03.07	■	
1.2 (C066, C068) (D7F 700)	09/00-	Gasolina	FWD	1149	43	58	05.96-06.07	■	
1.2 (C066, C068) (D7F 701)	09/00-	Gasolina	FWD	1149	43	58	05.96-06.07	■	
1.2 (C066, C068) (D7F 702)	09/00-	Gasolina	FWD	1149	43	58	05.96-06.07	■	
1.2 (C066, C068) (D7F 703)	09/00-	Gasolina	FWD	1149	43	58	05.96-06.07	■	
1.2 (C066, C068) (D7F 704)	09/00-	Gasolina	FWD	1149	43	58	05.96-06.07	■	
1.2 16V (C060) (D4F 708)		Gasolina	FWD	1149	44	60	08.04-06.07	■	
1.2 16V (C06C, C06D, C06K) (D4F 702)		Gasolina	FWD	1149	55	75	01.01-06.07	■	

LISTA DE APLICACIONES - BUYERS GUIDE

1.2 LPG (D7F 702)		Gasol./Gas (LPG)	FWD	1149	44	60	10.03-06.07	■	
1.2 LPG (D7F 708)		Gasol./Gas (LPG)	FWD	1149	44	60	10.03-06.07	■	
TWINGO II (CNO_) 09.10-09.14							Hatchback Van (City car-A Segment)		
1.2 (CN01, CN06) (D4F 770)		Gasolina	FWD	1149	55	75	09.10-09.14	■	
1.5 dCi (CN03) (K9K 820)		Diesel	FWD	1461	55	75	10.10-09.14	■	
TWINGO II (CN0_) 03.07-							Hatchback (City car-A Segment)		
1.2 (CN0D) (D7F 800)		Gasolina	FWD	1149	43	58	03.07-09.14	■	
1.2 16V (D4F 764)		Gasolina	RWD	1149	55	75	03.08-09.14	■	
1.2 16V (CN04, CN0B) (D4F 764)		Gasolina	FWD	1149	55	75	03.07-09.14	■	
1.2 16V (CN04, CN0B) (D4F 770)		Gasolina	FWD	1149	55	75	03.07-09.14	■	
1.2 16V (CN04, CN0B) (D4F 772)		Gasolina	FWD	1149	55	75	03.07-09.14	■	
1.2 16V (CN0K, CN0V, CN0A) (D4F 772)	08/07-	Gasolina	FWD	1149	56	76	03.07-10.10	■	
1.2 Turbo (CN0C, CN0F) (D4F 780)	08/07-	Gasolina	FWD	1149	74	100	03.07-09.14	■	
1.2 Turbo (CN0C, CN0F) (D4F 782)	08/07-	Gasolina	FWD	1149	74	100	03.07-09.14	■	
1.2 TCe 100 (CN0P) (D4F 780)		Gasolina	FWD	1149	75	102	02.11-08.13	■	
1.2 TCe 100 (CN0P) (D4F 782)		Gasolina	FWD	1149	75	102	02.11-08.13	■	
1.5 dCi (CN0E) (K9K 740)	08/07-	Diesel	FWD	1461	47	64	03.07-09.14	■	
1.5 dCi 75 (K9K 820)		Diesel	FWD	1461	55	75	10.10-08.14	■	
1.5 dCi (CN0U) (K9K 718)		Diesel	FWD	1461	62	84	04.08-09.14	■	
1.5 dCi 90 (K9K 820)		Diesel	FWD	1461	63	86	10.10-09.14	■	