

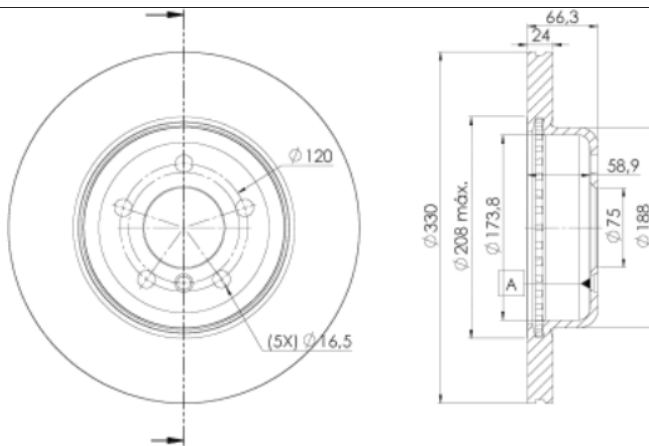
LISTA DE APLICACIONES - BUYERS GUIDE

78BD3555-2



Weight: 18.776

O.E.M.	MAKE
34 11 6 794 429	BMW
34106883506	BMW
34116896652	BMW
6794429	BMW
6883506	BMW
6896652	BMW



78BD3555-2



Ø330x24x66.3

MAKE
BMW
BMW (BRILLIANCE)



Trac.	CC	Kw	CV
-------	----	----	----



Front / Rear

BMW

5 Serie VI (F10) 01.09-10.16

Saloon (Executive car-E Segment)

520 i (N20 B16 A)		Gasolina	RWD	1592	125	170	07.13-10.16	■
520 i (N20 B20 A)		Gasolina	RWD	1997	120	163	09.11-10.16	■
520 i (N20 B20 B)		Gasolina	RWD	1997	120	163	09.11-10.16	■
520 i (N20 B20 A)		Gasolina	RWD	1997	135	184	09.11-10.16	■
520 i (N20 B20 B)		Gasolina	RWD	1997	135	184	09.11-10.16	■
528i (N20 B20 A)	SA S212A	Gasolina	RWD	1997	180	245	09.11-10.16	■
528 i xDrive (N20 B20 A)		Gasolina	4WD	1997	180	245	09.11-10.16	■
523 i (N52 B25 A)		Gasolina	RWD	2497	150	204	01.10-08.11	■
523 i (N52 B25 AF)		Gasolina	RWD	2497	150	204	01.10-08.11	■
523 i (N52 B25 B)		Gasolina	RWD	2497	150	204	01.10-08.11	■
523 i (N52 B25 BF)		Gasolina	RWD	2497	150	204	01.10-08.11	■
523 i (N53 B30 A)		Gasolina	RWD	2996	150	204	06.09-08.11	■
523 i (N53 B30 A)		Gasolina	RWD	2996	155	211	01.10-08.11	■
528i (N52 B30 A)	not high-speed brake	Gasolina	RWD	2996	179	243	10.09-08.11	■
530i (N52 B30 A)	SA S212A	Gasolina	RWD	2996	190	258	03.10-06.13	■
530i (N52 B30 AF)	SA S212A	Gasolina	RWD	2996	190	258	03.10-06.13	■
530i (N52 B30 BF)	SA S212A	Gasolina	RWD	2996	190	258	03.10-06.13	■
518 d (N47 D20 C)		Diesel	RWD	1995	100	136	07.13-10.16	■
520 d (N47 D20 C)		Diesel	RWD	1995	100	136	01.13-06.14	■
520 d xDrive (N47 D20 C)		Diesel	4WD	1995	100	136	01.13-06.14	■
518 d (N47 D20 C)		Diesel	RWD	1995	105	143	07.13-06.14	■
518 d (B47 D20 A)		Diesel	RWD	1995	110	150	07.14-10.16	■
518 d (B47 D20 A)		Diesel	RWD	1995	120	163	10.13-10.16	■

LISTA DE APLICACIONES - BUYERS GUIDE

520 d (B47 D20 A)		Diesel	RWD	1995	120	163	06.10-10.16	■
520 d (N47 D20 C)		Diesel	RWD	1995	120	163	06.10-10.16	■
520 d xDrive (B47 D20 A)		Diesel	4WD	1995	120	163	07.13-10.16	■
520 d (N47 D20 C)		Diesel	RWD	1995	135	184	06.10-06.14	■
520 d xDrive (N47 D20 C)		Diesel	4WD	1995	135	184	07.13-06.14	■
520 d (B47 D20 A)		Diesel	RWD	1995	140	190	07.14-10.16	■
520 d xDrive (B47 D20 A)		Diesel	4WD	1995	140	190	07.14-10.16	■
520 d (N47 D20 C)		Diesel	RWD	1995	147	200	06.10-06.14	■
520 d xDrive (N47 D20 C)		Diesel	4WD	1995	147	200	01.13-06.14	■
520 d (B47 D20 A)		Diesel	RWD	1995	151	205	07.14-10.16	■
520 d xDrive (B47 D20 A)	not M technique	Diesel	4WD	1995	151	205	07.14-10.16	■
520 d (B47 D20 A)		Diesel	RWD	1995	155	211	10.13-10.16	■
520 d xDrive (B47 D20 A)		Diesel	4WD	1995	155	211	10.13-10.16	■
525 d (N47 D20 D)		Diesel	RWD	1995	155	211	09.11-10.16	■
525 d xDrive (N47 D20 D)	Russia	Diesel	4WD	1995	155	211	09.11-10.16	■
525 d (N47 D20 D)		Diesel	RWD	1995	160	218	09.11-10.16	■
525 d xDrive (N47 D20 D)	Russia	Diesel	4WD	1995	160	218	09.11-10.16	■
525 d (N57 D30 A)		Diesel	RWD	2993	150	204	03.10-08.11	■
5 Serie VI Touring (F11) 11.09-					Estate (Executive car-E Segment)			
520 i (N20 B20 A)		Gasolina	RWD	1997	120	163	09.11-02.17	■
520 i (N20 B20 B)		Gasolina	RWD	1997	120	163	09.11-02.17	■
520 i (N20 B20 A)		Gasolina	RWD	1997	135	184	10.10-02.17	■
520 i (N20 B20 B)		Gasolina	RWD	1997	135	184	10.10-02.17	■
528i (N20 B20 A)	not high-speed brake, not reinforced brak., USA	Gasolina	RWD	1997	180	245	09.11-02.17	■
528 i xDrive (N20 B20 A)	not high-speed brake, not reinforced brak., USA	Gasolina	4WD	1997	180	245	09.11-02.17	■
523 i (N52 B25 A)		Gasolina	RWD	2497	150	204	11.09-08.11	■
523 i (N52 B25 AF)		Gasolina	RWD	2497	150	204	11.09-08.11	■
523 i (N52 B25 B)		Gasolina	RWD	2497	150	204	11.09-08.11	■
523 i (N53 B30 A)		Gasolina	RWD	2996	150	204	11.09-08.11	■
528i (N53 B30 A)	not high-speed brake, not reinforced brak., USA	Gasolina	RWD	2996	190	258	11.09-08.11	■
530i (N53 B30 A)	not high-speed brake	Gasolina	RWD	2996	200	272	07.11-06.13	■
518 d (B47 D20 A)	not reinforced brak.	Diesel	RWD	1995	100	136	07.13-02.17	■
518 d (N47 D20 C)	not reinforced brak.	Diesel	RWD	1995	100	136	07.13-02.17	■
520 d (N47 D20 C)	not reinforced brak.	Diesel	RWD	1995	100	136	06.10-06.14	■
520 d xDrive (N47 D20 C)	not reinforced brak.	Diesel	4WD	1995	100	136	07.13-06.14	■
518 d (N47 D20 C)	not reinforced brak.	Diesel	RWD	1995	105	143	07.13-06.14	■
518 d (B47 D20 A)	not reinforced brak.	Diesel	RWD	1995	110	150	07.14-02.17	■
518 d (B47 D20 A)	not reinforced brak.	Diesel	RWD	1995	120	163	07.14-02.17	■
520 d (B47 D20 A)	not reinforced brak.	Diesel	RWD	1995	120	163	06.10-02.17	■
520 d (N47 D20 C)	not reinforced brak.	Diesel	RWD	1995	120	163	06.10-02.17	■
520 d xDrive (B47 D20 A)	not reinforced brak.	Diesel	4WD	1995	120	163	07.13-02.17	■
520 d (N47 D20 C)	not reinforced brak.	Diesel	RWD	1995	135	184	06.10-06.14	■
520 d xDrive (N47 D20 C)	not reinforced brak.	Diesel	4WD	1995	135	184	07.13-06.14	■
520 d (B47 D20 A)	not reinforced brak.	Diesel	RWD	1995	140	190	07.14-02.17	■
520 d xDrive (B47 D20 A)	not reinforced brak.	Diesel	4WD	1995	140	190	07.14-02.17	■
520 d (N47 D20 C)	not reinforced brak.	Diesel	RWD	1995	147	200	06.10-06.14	■
520 d xDrive (N47 D20 C)	not reinforced brak.	Diesel	4WD	1995	147	200	07.13-06.14	■
520 d (B47 D20 A)	not reinforced brak.	Diesel	RWD	1995	151	205	07.14-02.17	■
520 d xDrive (B47 D20 A)	not reinforced brak.	Diesel	4WD	1995	151	205	07.14-02.17	■
520 d (B47 D20 A)	not reinforced brak.	Diesel	RWD	1995	155	211	07.14-02.17	■

LISTA DE APLICACIONES - BUYERS GUIDE

520 d xDrive (B47 D20 A)	not reinforced brak.	Diesel	4WD	1995	155	211	07.14-02.17	■
525 d (N47 D20 D)	not reinforced brak., not high-speed brake	Diesel	RWD	1995	160	218	09.11-02.17	■
525 d xDrive (N47 D20 D)	not reinforced brak., not high-speed brake	Diesel	4WD	1995	160	218	09.11-02.17	■
525 d (N57 D30 A)	not reinforced brak., not high-speed brake	Diesel	RWD	2993	150	204	09.10-08.11	■

BMW (BRILLIANCE)

5 SERIES VI (F10, F18) 08.10-

Saloon (Executive car-E Segment)

520 Li (N20 B20 D)		Gasolina	RWD	1997	135	184	09.13-05.17	■
525 Li (N20 B20 A,N20 B20 C)		Gasolina	RWD	1997	160	218	08.12-05.17	■