

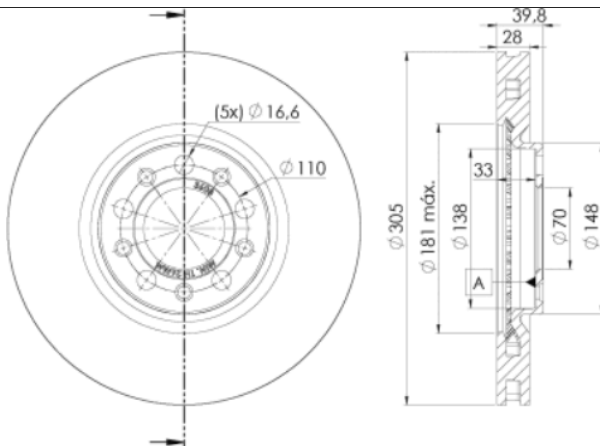
LISTA DE APLICACIONES - BUYERS GUIDE

78BD3608-2



Weight: 14.808

O.E.M.	MAKE
46843608	FIAT
51760621	FIAT
51912591	FIAT
K68249840AA	JEEP
K68249840AB	JEEP
K68249840AC	JEEP



78BD3608-2

E1 90R-02C0538/0124



Ø305x28x39.7

MAKE
ALFA ROMEO
CHRYSLER
DODGE
JEEP



Trac.	CC	Kw	CV
-------	----	----	----



Front / Rear

ALFA ROMEO

								Saloon (Compact executive car-D Segment)		
159 (939_) 06.05-12.12										
1.8 MPI (939AXL1A) (939 A4.000)	-10/11	Gasolina	FWD	1796	103	140	06.05-11.11	■		
1.9 JTS (939AXA1B) (939 A6.000)	-10/11	Gasolina	FWD	1859	118	160	09.05-11.11	■		
2.2 JTS (939AXB1B, 939AXB11) (939 A5.000)	-10/11	Gasolina	FWD	2198	136	185	09.05-11.11	■		
1.9 JTDM 8V (939AXE1B, 939BXE1B, 939BXH1B) (937 A7.000)		Diesel	FWD	1910	85	115	09.05-11.11	■		
1.9 JTDM 8V (939AXE1B, 939BXE1B, 939BXH1B) (939 A7.000)		Diesel	FWD	1910	85	115	09.05-11.11	■		
1.9 JTDM 8V (939AXE1B) (939 A1.000)	-10/11	Diesel	FWD	1910	88	120	09.05-11.11	■		
1.9 JTDM 16V (939AXF1B, 939AXC1B) (937 A8.000)	-10/11	Diesel	FWD	1910	100	136	09.05-11.11	■		
1.9 JTDM 16V (939AXF1B, 939AXC1B) (939 A8.000)	-10/11	Diesel	FWD	1910	100	136	09.05-11.11	■		
1.9 JTDM 16V (939AXC1B, 939AXC12) (939 A2.000)	-10/11	Diesel	FWD	1910	110	150	09.05-11.11	■		
2.0 JTDM (939AXR1B) (939 B4.000)	-10/11	Diesel	FWD	1956	100	136	06.10-11.11	■		
2.0 JTDM (939AXQ1B) (844 A2.000)	-10/11, not sports package	Diesel	FWD	1956	120	163	05.09-11.11	■		
2.0 JTDM (939AXP1B) (939 B3.000)	-10/11, not sports package	Diesel	FWD	1956	125	170	05.09-11.11	■		
159 Sport Wagon (939_) 06.05-12.12								Estate (Compact executive car-D Segment)		
1.8 MPI (939BXL1A) (939 A4.000)	-10/11	Gasolina	FWD	1796	103	140	06.05-11.11	■		
1.9 JTS (939BXA1B) (939 A6.000)	-10/11	Gasolina	FWD	1859	118	160	03.06-11.11	■		
2.2 JTS (939BXB1B, 939BXB11) (939 A5.000)	-10/11	Gasolina	FWD	2198	136	185	03.06-11.11	■		
1.9 JTDM 8V (939AXH1B, 939BXH1B) (937 A7.000)		Diesel	FWD	1910	85	115	03.06-11.11	■		
1.9 JTDM 8V (939BXE1B) (939 A1.000)	-10/11	Diesel	FWD	1910	88	120	03.06-11.11	■		
1.9 JTDM 16V (939BXC1B) (937 A8.000)	-10/11	Diesel	FWD	1910	100	136	03.06-11.11	■		

LISTA DE APLICACIONES - BUYERS GUIDE

1.9 JTDM 16V (939BXC1B, 939BXC12) (939 A2.000)	-10/11	Diesel	FWD	1910	110	150	03.06-11.11	■	
2.0 JTDM (939BXR1B) (939 B4.000)	-10/11	Diesel	FWD	1956	100	136	06.10-11.11	■	
2.0 JTDM (939BXQ1B) (844 A2.000)	-10/11, not sports package	Diesel	FWD	1956	120	163	05.09-11.11	■	
2.0 JTDM (939BXP1B) (939 B3.000)	-10/11, not sports package	Diesel	FWD	1956	125	170	07.09-11.11	■	
BRERA (939_) 01.06-05.11					Hatchback (Sports car-S Segment)				
2.2 JTS (939.DXB11) (939 A5.000)		Gasolina	FWD	2198	136	185	01.06-05.11	■	
2.0 JTDM (939DXQ1B) (844 A2.000)	05/09-	Diesel	FWD	1956	120	163	03.08-06.10	■	
2.0 JTDM (939DXP1B) (939 B3.000)		Diesel	FWD	1956	125	170	05.09-06.10	■	
GIULIETTA III (940_) 04.11-					Hatchback Van (Compact car-C Segment)				
1.4 (940FXB1A) (940 A2.000)		Gasolina	FWD	1368	125	170	04.11-12.20	■	
2.0 JTDM (940FXL1A) (940 A5.000)		Diesel	FWD	1956	103	140	07.13-02.16	■	
2.0 JTDM (940FXQ1A) (940 B5.000)		Diesel	FWD	1956	110	150	08.13-02.16	■	
2.0 JTDM (940FXE1A) (940 A4.000)		Diesel	FWD	1956	125	170	04.11-02.16	■	
2.0 JTDM (940FXV11) (940 B4.000)		Diesel	FWD	1956	129	175	05.15-12.20	■	
GIULIETTA III (940_) 04.10-					Hatchback (Compact car-C Segment)				
1.4 TB (940FXG1A) (955 A8.000)		Gasolina	FWD	1368	120	163	04.10-10.18	■	
1.4 TB (940FXB1A, 940FXB11) (940 A2.000)		Gasolina	FWD	1368	125	170	04.10-10.18	■	
2.0 JTDM (940FXM1A, 940FXS1A, 940FYD1A) (940 A8.000)	not sports package	Diesel	FWD	1956	100	136	04.10-02.16	■	
2.0 JTDM (940FXM1A, 940FXS1A, 940FYD1A) (940 B6.000)	not sports package	Diesel	FWD	1956	100	136	04.10-02.16	■	
2.0 JTDM (940FXM1A, 940FXS1A, 940FYD1A) (940 C4.000)	not sports package	Diesel	FWD	1956	100	136	04.10-02.16	■	
2.0 JTDM (940.FXL1A) (940 A5.000)		Diesel	FWD	1956	103	140	04.10-12.20	■	
2.0 JTDM (940.FXL1A) (940 C3.000)		Diesel	FWD	1956	103	140	04.10-12.20	■	
2.0 JTDM (940FXQ1A, 940FYC1A) (940 B5.000)		Diesel	FWD	1956	110	150	08.13-10.18	■	
2.0 JTDM (940FXQ1A, 940FYC1A) (940 C3.000)		Diesel	FWD	1956	110	150	08.13-10.18	■	
2.0 JTDM (940FXH1A, 940FXH11, 940FXZ11, 940FXZ1A) (940 A7.000)		Diesel	FWD	1956	120	163	04.10-10.18	■	
2.0 JTDM (940FXH1A, 940FXH11, 940FXZ11, 940FXZ1A) (940 B9.000)		Diesel	FWD	1956	120	163	04.10-10.18	■	
2.0 JTDM (940FXE1A, 940FXG11) (552 83 099)		Diesel	FWD	1956	125	170	04.10-12.20	■	
2.0 JTDM (940FXE1A, 940FXG11) (940 A4.000)		Diesel	FWD	1956	125	170	04.10-12.20	■	
2.0 JTDM (940FXE1A, 940FXG11) (940 B4.000)		Diesel	FWD	1956	125	170	04.10-12.20	■	
2.0 JTDM (940FXV11) (940 B4.000)		Diesel	FWD	1956	129	175	11.13-10.18	■	
SPIDER V (939_) 03.06-03.11					Convertible (Sports car-S Segment)				
2.2 JTS (939EXB1B, 939EXB11) (939 A5.000)		Gasolina	FWD	2198	136	185	03.06-03.11	■	
2.0 JTDM (939DXQ1B) (844 A2.000)		Diesel	FWD	1956	120	163	04.09-03.11	■	
2.0 JTDM (939DXP1B, 939EXP1B) (939 B3.000)		Diesel	FWD	1956	125	170	05.09-06.10	■	
CHRYSLER									
200 II 06.14-					Saloon (Executive car-E Segment)				
2.4 (EDG)		Gasolina	FWD	2360	129	175	07.14-	■	
2.4 (ED6)		Gasolina	FWD	2360	137	186	06.14-	■	
3.6 (ERB)		Gasolina	FWD	3604	220	299	06.14-	■	
DODGE									
DART (PF) 04.12-					Saloon (Compact car-C Segment)				
1.4 T (EAF)		Gasolina	FWD	1368	119	162	04.12-	■	
2.4 (ED6)		Gasolina	FWD	2360	137	186	04.12-	■	

LISTA DE APLICACIONES - BUYERS GUIDE

JEEP

COMPASS II (MP, M6, MV, M7) 01.16-					SUV (Compact SUV-J Segment)			
1.3		Gasolina	FWD	1332	96	131	08.20-	■
1.3 T270		Gasolina	FWD	1332	127	173	08.20-	■
1.3 T270		Gasolina	FWD	1332	129	175	09.21-	■
1.4 Multiair (552 63 624)		Gasolina	FWD	1368	103	140	03.17-	■
1.4 Multiair (EAQ)		Gasolina	FWD	1368	103	140	03.17-	■
1.4 Multiair		Gasolina	FWD	1368	120	163	03.17-	■
1.4 MultiAir 4x4 (552 63 623)		Gasolina	4WD	1368	125	170	03.17-	■
1.4 MultiAir 4x4 (EAQ)		Gasolina	4WD	1368	125	170	03.17-	■
2.4 16V 4x4		Gasolina	4WD	2360	110	150	05.21-	■
2.4 MultiAir (ED6)		Gasolina	FWD	2360	129	175	09.17-	■
2.4 MultiAir (EDD)		Gasolina	FWD	2360	129	175	09.17-	■
2.4 MultiAir 4x4 (ED6)		Gasolina	4WD	2360	129	175	09.17-	■
2.4 MultiAir 4x4 (EDD)		Gasolina	4WD	2360	129	175	09.17-	■
2.4		Gasolina	FWD	2360	134	182	09.16-	■
2.4 4x4 (ED6)		Gasolina	4WD	2360	134	182	09.16-	■
2.4 4x4 (EDD)		Gasolina	4WD	2360	134	182	09.16-	■
1.3 T270 Turbo Flex		Gasol./Etanol	FWD	1332	136	185	06.21-01.25	■
2.0 Flex		Gasol./Etanol	FWD	1995	122	166	01.16-04.21	■
2.0 Flex 4x4		Gasol./Etanol	4WD	1995	122	166	09.17-12.18	■
1.5 T4 Hybrid		Gasol./eléc.	FWD	1469	96	131	03.22-	■
1.6 CRD (552 60 384)		Diesel	FWD	1598	88	120	03.17-	■
1.6 CRD (EJJ)		Diesel	FWD	1598	88	120	03.17-	■
1.6 MultiJet		Diesel	FWD	1598	96	130	04.21-	■
2.0 CRD 4x4 (552 63 087)		Diesel	4WD	1956	103	140	03.17-	■
2.0 CRD 4x4 (EBS)		Diesel	4WD	1956	103	140	03.17-	■
2.0 CRD 4x4 (EBT)		Diesel	4WD	1956	103	140	03.17-	■
2.0 CRD 4x4 (552 63 088)		Diesel	4WD	1956	125	170	12.16-	■
2.0 CRD 4x4 (EBS)		Diesel	4WD	1956	125	170	12.16-	■
2.0 Multijet II		Diesel	FWD	1956	127	173	10.18-	■
2.0 Multijet II 4x4 (552 63 088)		Diesel	4WD	1956	127	173	03.17-	■
2.0 Multijet II 4x4 (EBS)		Diesel	4WD	1956	127	173	03.17-	■
2.0 Multijet II 4x4 (EBT)		Diesel	4WD	1956	127	173	03.17-	■
RENEGADE (BU, B1, BV) 07.14-					SUV (Compact SUV-J Segment)			
1.0 T-GDI (552 82 151)		Gasolina	FWD	999	88	120	08.18-	■
1.3 T-GDi (552 82 328)		Gasolina	FWD	1332	110	150	08.18-	■
1.3 T-GDi 4x4 (552 82 328)		Gasolina	4WD	1332	132	180	08.18-	■
1.3 T-GDi 4x4 (EYF)		Gasolina	4WD	1332	132	180	08.18-	■
1.4 (552 63 624)		Gasolina	FWD	1368	100	136	01.16-	■
2.4 (500 52 375)		Gasolina	FWD	2360	132	179	09.15-	■
2.4 (ED6)		Gasolina	FWD	2360	132	179	09.15-	■
2.4 4x4 (500 52 375)		Gasolina	4WD	2360	132	179	09.15-	■
2.4 4x4 (ED6)		Gasolina	4WD	2360	132	179	09.15-	■
2.4 4x4 (ED6)		Gasolina	4WD	2360	134	182	09.14-12.17	■
1.4 LPG		Gasol./Gas (LPG)	FWD	1368	88	120	01.16-	■
2.0 CRD 4x4 (552 63 087)		Diesel	4WD	1956	88	120	07.14-	■
2.0 CRD 4x4 (EBT)		Diesel	4WD	1956	88	120	07.14-	■

LISTA DE APLICACIONES - BUYERS GUIDE

2.0 CRD 4x4 (552 63 087)		Diesel	4WD	1956	103	140	07.14-	■	
2.0 CRD 4x4 (552 63 088)		Diesel	4WD	1956	103	140	07.14-	■	
2.0 CRD 4x4 (552 83 099)		Diesel	4WD	1956	103	140	07.14-	■	
2.0 CRD 4x4 (552 84 064)		Diesel	4WD	1956	103	140	07.14-	■	
2.0 CRD 4x4 (EBT)		Diesel	4WD	1956	103	140	07.14-	■	
2.0 CRD 4x4 (552 63 088)		Diesel	4WD	1956	125	170	07.14-	■	
2.0 CRD 4x4 (552 83 099)		Diesel	4WD	1956	125	170	07.14-	■	
2.0 CRD 4x4 (EBT)		Diesel	4WD	1956	125	170	07.14-	■	
RENEGADE VAN (BU, B1) 07.14-					SUV Van (Compact SUV-J Segment)				
1.4		Gasolina	FWD	1368	103	140	07.14-	■	
1.4 4x4		Gasolina	4WD	1368	125	170	07.14-	■	
1.6 E-torQ		Gasolina	FWD	1598	81	110	07.14-09.18	■	
1.6 MultiJet		Diesel	FWD	1598	88	120	07.14-	■	
2.0 MultiJet 4x4		Diesel	4WD	1956	103	140	07.14-	■	
2.0 MultiJet 4x4		Diesel	4WD	1956	125	170	07.14-	■	