

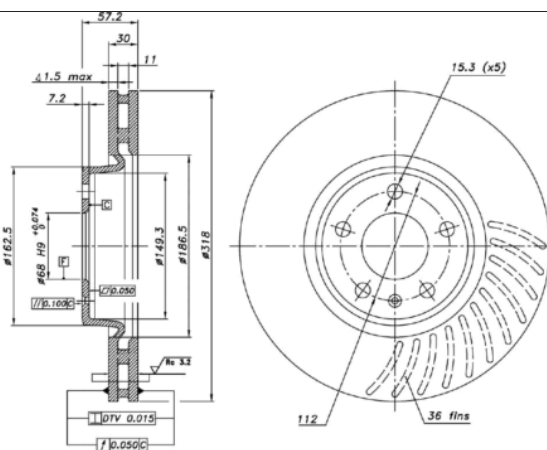
LISTA DE APLICACIONES - BUYERS GUIDE

78BD3625-1



Weight: 9.920

O.E.M.	MAKE
4KD615301	AUDI (FAW)
4KG615301	AUDI (FAW)
80A615301	AUDI
80A615301E	VW
8W0615301AA	AUDI
8W0615301H	VW
L4KD615301	AUDI (FAW)



78BD3625-1



Ø318x30x57.2

MAKE
AUDI



Trac.	CC	Kw	CV
-------	----	----	----



Front / Rear

AUDI

A4 V Allroad B9 (8WH, 8WJ) 01.16-							Estate (Compact executive car-D Segment)			
2.0 TFSI quattro (CYRC)	PR 1LC, PR 1LD	Gasolina	4WD	1984	183	249	05.16-10.19	■		
2.0 TFSI quattro (CYMC)	PR 1LC, PR 1LD	Gasolina	4WD	1984	185	252	01.16-	■		
2.0 TFSI quattro (CYRB)	PR 1LC, PR 1LD	Gasolina	4WD	1984	185	252	01.16-	■		
45 TFSI Mild hybrid quattro (DKNA)	PR 1LC, PR 1LD, PR 1LG	Gasol./el éc.	4WD	1984	180	245	07.18-	■		
45 TFSI Mild hybrid quattro (DDWA)	PR 1LC, PR 1LD, PR 1LG	Gasol./el éc.	4WD	1984	183	249	02.20-	■		
2.0 TFSI Mild Hybrid quattro (DDWA)	PR 1LC, PR 1LD, PR 1LG	Gasol./el éc.	4WD	1984	185	252	11.18-10.19	■		
40 TDI Mild Hybrid quattro (DTPA)	PR 1LC, PR 1LD, PR 1LG	Diesel/el éc.	4WD	1968	150	204	09.20-	■		
2.0 TDI quattro (DEUB)	PR 1LC, PR 1LD, PR 1LG	Diesel	4WD	1968	100	136	11.16-07.18	■		
2.0 TDI quattro (DEUA)	PR 1LC, PR 1LD	Diesel	4WD	1968	110	150	11.16-10.19	■		
2.0 TDI quattro (DETB)	PR 1LC, PR 1LD	Diesel	4WD	1968	120	163	05.16-10.19	■		
2.0 TDI quattro (DESA)	PR 1LC, PR 1LD	Diesel	4WD	1968	140	190	01.16-12.19	■		
2.0 TDI quattro (DETA)	PR 1LC, PR 1LD	Diesel	4WD	1968	140	190	01.16-12.19	■		
2.0 TDI quattro (DFVA)	PR 1LC, PR 1LD	Diesel	4WD	1968	140	190	01.16-12.19	■		
40 TDI quattro (DETA)	PR 1LC, PR 1LD, PR 1LG	Diesel	4WD	1968	140	190	01.20-	■		
3.0 TDI quattro (CSWB)	PR 1LC, PR 1LD	Diesel	4WD	2967	160	218	01.16-08.18	■		
45 TDI quattro (DCPE)	PR 1LC, PR 1LD, PR 1LG	Diesel	4WD	2967	170	231	07.18-	■		
A4 V B9 (8W2, 8WC) 05.15-							Saloon (Compact executive car-D Segment)			
1.4 TFSI (CVNA)	PR 1LC, PR 1LD	Gasolina	FWD	1395	110	150	08.15-11.19	■		
2.0 TFSI (CVKB)	PR 1LC, PR 1LD	Gasolina	FWD	1984	140	190	05.15-11.19	■		
2.0 TFSI (DBPA)	PR 1LC, PR 1LD	Gasolina	FWD	1984	140	190	05.15-11.19	■		

LISTA DE APLICACIONES - BUYERS GUIDE

2.0 TFSI (CYRC)	PR 1LC, PR 1LD	Gasolina	FWD	1984	183	249	11.15-11.19	■
2.0 TFSI quattro (CYRC)	PR 1LC, PR 1LD	Gasolina	4WD	1984	183	249	11.15-11.19	■
2.0 TFSI (CYMC)	PR 1LC, PR 1LD	Gasolina	FWD	1984	185	252	05.15-11.19	■
2.0 TFSI (CYRB)	PR 1LC, PR 1LD	Gasolina	FWD	1984	185	252	05.15-11.19	■
2.0 TFSI quattro (CYMC)	PR 1LC, PR 1LD	Gasolina	4WD	1984	185	252	05.15-11.19	■
2.0 TFSI quattro (CYRB)	PR 1LC, PR 1LD	Gasolina	4WD	1984	185	252	05.15-11.19	■
35 TFSI Mild Hybrid (DLVB)	PR 1LC, PR 1LD, PR 1LG	Gasol./el éc.	FWD	1984	110	150	12.18-	■
40 TFSI Mild Hybrid (DEMA)	PR 1LC, PR 1LD, PR 1LG	Gasol./el éc.	FWD	1984	140	190	05.17-	■
40 TFSI Mild Hybrid (DKYA)	PR 1LC, PR 1LD, PR 1LG	Gasol./el éc.	FWD	1984	140	190	05.17-	■
40 TFSI Mild Hybrid (DLVA)	PR 1LC, PR 1LD, PR 1LG	Gasol./el éc.	FWD	1984	140	190	05.17-	■
40 TFSI Mild Hybrid	PR 1LC, PR 1LD, PR 1LG	Gasol./el éc.	FWD	1984	150	204	06.20-	■
40 TFSI Mild Hybrid quattro (DMSA)	PR 1LC, PR 1LD, PR 1LG	Gasol./el éc.	4WD	1984	150	204	06.20-	■
45 TFSI Mild Hybrid (DKNA)	PR 1LC, PR 1LD, PR 1LG	Gasol./el éc.	FWD	1984	180	245	07.18-11.19	■
45 TFSI Mild hybrid quattro (DKNA)	PR 1LC, PR 1LD, PR 1LG	Gasol./el éc.	4WD	1984	180	245	07.18-08.20	■
45 TFSI Mild hybrid quattro (DDWA)	PR 1LC, PR 1LD, PR 1LG	Gasol./el éc.	4WD	1984	183	249	02.20-	■
2.0 TFSI Mild Hybrid (DDWA)	PR 1LC, PR 1LD, PR 1LG	Gasol./el éc.	FWD	1984	185	252	05.17-11.19	■
2.0 TFSI Mild Hybrid quattro (DDWA)	PR 1LC, PR 1LD, PR 1LG	Gasol./el éc.	4WD	1984	185	252	05.17-11.19	■
45 TFSI Mild hybrid quattro (DMTA)	PR 1LC, PR 1LD, PR 1LG	Gasol./el éc.	4WD	1984	195	265	08.20-	■
30 TDI Mild Hybrid (DEZB)	PR 1LC, PR 1LD	Diesel/el éc.	FWD	1968	100	136	07.19-	■
35 TDI Mild Hybrid (DEZE)	PR 1LC, PR 1LD	Diesel/el éc.	FWD	1968	120	163	03.19-	■
40 TDI Mild Hybrid	PR 1LC, PR 1LD, PR 1LG	Diesel/el éc.	FWD	1968	150	204	09.20-	■
40 TDI Mild Hybrid quattro (DTPA)	PR 1LC, PR 1LD, PR 1LG	Diesel/el éc.	4WD	1968	150	204	05.20-	■
50 TDI Mild Hybrid quattro	PR 1LC, PR 1LD, PR 1LG	Diesel/el éc.	4WD	2967	210	286	08.20-	■
2.0 TDI (DEUC)	PR 1LC, PR 1LD	Diesel	FWD	1968	90	122	05.16-11.19	■
30 TDI (DEUC)	PR 1LC, PR 1LD	Diesel	FWD	1968	90	122	05.16-11.19	■
2.0 TDI (DEUB)	PR 1LC, PR 1LD	Diesel	FWD	1968	100	136	05.15-11.19	■
2.0 TDI (CZHA)	PR 1LC, PR 1LD	Diesel	FWD	1968	110	150	05.15-11.19	■
2.0 TDI (DEUA)	PR 1LC, PR 1LD	Diesel	FWD	1968	110	150	05.15-11.19	■
2.0 TDI quattro (DEUA)	PR 1LC, PR 1LD	Diesel	4WD	1968	110	150	09.16-11.19	■
35 TDI (DEUA)	PR 1LC, PR 1LD	Diesel	FWD	1968	110	150	08.15-	■
2.0 TDI quattro (DETB)	PR 1LC, PR 1LD	Diesel	4WD	1968	120	163	09.16-11.19	■
2.0 TDI (DESA)	PR 1LC, PR 1LD	Diesel	FWD	1968	140	190	05.15-11.19	■
2.0 TDI (DETA)	PR 1LC, PR 1LD	Diesel	FWD	1968	140	190	05.15-11.19	■
2.0 TDI (DFVA)	PR 1LC, PR 1LD	Diesel	FWD	1968	140	190	05.15-11.19	■
2.0 TDI quattro (DESA)	PR 1LC, PR 1LD	Diesel	4WD	1968	140	190	09.15-11.19	■
2.0 TDI quattro (DETA)	PR 1LC, PR 1LD	Diesel	4WD	1968	140	190	09.15-11.19	■
2.0 TDI quattro (DFVA)	PR 1LC, PR 1LD	Diesel	4WD	1968	140	190	09.15-11.19	■
40 TDI (DESA)	PR 1LC, PR 1LD	Diesel	FWD	1968	140	190	05.15-	■
40 TDI (DETA)	PR 1LC, PR 1LD	Diesel	FWD	1968	140	190	05.15-	■
40 TDI quattro (DETA)	PR 1LC, PR 1LD	Diesel	4WD	1968	140	190	09.15-09.20	■
3.0 TDI (CSWB)	PR 1LC, PR 1LD	Diesel	FWD	2967	160	218	09.15-08.18	■
3.0 TDI quattro (CSWB)	PR 1LC, PR 1LD	Diesel	4WD	2967	160	218	09.15-08.18	■
45 TDI quattro (DCPE)	PR 1LC, PR 1LD, PR 1LG	Diesel	4WD	2967	170	231	07.18-	■
3.0 TDI quattro (CRTC)	PR 1LC, PR 1LD	Diesel	4WD	2967	200	272	05.15-08.18	■

LISTA DE APLICACIONES - BUYERS GUIDE

50 TDI quattro (DCPC)	PR 1LC, PR 1LD, PR 1LG	Diesel	4WD	2967	210	286	07.18-08.20	■
A4 V B9 Avant (8W5, 8WD) 08.15-					Estate (Compact executive car-D Segment)			
1.4 TFSI (CVNA)	PR 1LC, PR 1LD	Gasolina	FWD	1395	110	150	02.16-10.19	■
2.0 TFSI (CVKB)	PR 1LC, PR 1LD	Gasolina	FWD	1984	140	190	08.15-	■
2.0 TFSI (DKYA)	PR 1LC, PR 1LD	Gasolina	FWD	1984	140	190	08.15-	■
40 TFSI (DMSA)	PR 1LC, PR 1LD	Gasolina	FWD	1984	150	204	12.20-	■
2.0 TFSI (CYRC)	PR 1LC, PR 1LD	Gasolina	FWD	1984	183	249	05.16-10.19	■
2.0 TFSI quattro (CYRC)	PR 1LC, PR 1LD	Gasolina	4WD	1984	183	249	11.15-10.19	■
2.0 TFSI (CYRB)	PR 1LC, PR 1LD	Gasolina	FWD	1984	185	252	05.16-10.19	■
2.0 TFSI quattro (CYRB)	PR 1LC, PR 1LD	Gasolina	4WD	1984	185	252	08.15-10.19	■
2.0 TFSI g-tron (CVLA)	PR 1LC, PR 1LD	Gasol./Gas (CNG)	FWD	1984	125	170	11.16-10.19	■
40 TFSI g-tron (CVLA)	PR 1LC, PR 1LD	Gasol./Gas (CNG)	FWD	1984	125	170	11.16-	■
35 TFSI Mild Hybrid (DLVB)	PR 1LC, PR 1LD	Gasol./eléc.	FWD	1984	110	150	12.18-	■
35 TFSI Mild Hybrid (DMSB)	PR 1LC, PR 1LD	Gasol./eléc.	FWD	1984	110	150	12.18-	■
40 TFSI Mild Hybrid (DEMA)	PR 1LC, PR 1LD	Gasol./eléc.	FWD	1984	140	190	05.17-	■
40 TFSI Mild Hybrid (DKYA)	PR 1LC, PR 1LD	Gasol./eléc.	FWD	1984	140	190	05.17-	■
40 TFSI Mild Hybrid (DLVA)	PR 1LC, PR 1LD	Gasol./eléc.	FWD	1984	140	190	05.17-	■
40 TFSI Mild Hybrid (DMSA)	PR 1LC, PR 1LD, PR 1LG	Gasol./eléc.	FWD	1984	150	204	06.20-	■
40 TFSI Mild Hybrid quattro (DMSA)	PR 1LC, PR 1LD, PR 1LG	Gasol./eléc.	4WD	1984	150	204	06.20-	■
2.0 TFSI Mild Hybrid (DDWA)	PR 1LC, PR 1LD, PR 1LG	Gasol./eléc.	FWD	1984	185	252	05.17-10.19	■
2.0 TFSI Mild Hybrid quattro (DDWA)	PR 1LC, PR 1LD, PR 1LG	Gasol./eléc.	4WD	1984	185	252	05.17-06.18	■
30 TDI Mild Hybrid (DEZB)	PR 1LC, PR 1LD	Diesel/eléc.	FWD	1968	100	136	07.19-	■
35 TDI Mild Hybrid (DEZE)	PR 1LC, PR 1LD	Diesel/eléc.	FWD	1968	120	163	07.19-	■
40 TDI Mild Hybrid	PR 1LC, PR 1LD, PR 1LG	Diesel/eléc.	FWD	1968	150	204	09.20-	■
40 TDI Mild Hybrid quattro (DTPA)	PR 1LC, PR 1LD, PR 1LG	Diesel/eléc.	4WD	1968	150	204	05.20-	■
2.0 TDI (DEUC)	PR 1LC, PR 1LD	Diesel	FWD	1968	90	122	04.16-09.18	■
30 TDI (DEUC)	PR 1LC, PR 1LD	Diesel	FWD	1968	90	122	10.18-10.20	■
2.0 TDI (DEUB)	PR 1LC, PR 1LD	Diesel	FWD	1968	100	136	08.15-10.19	■
2.0 TDI (CZHA)	PR 1LC, PR 1LD	Diesel	FWD	1968	110	150	08.15-09.18	■
2.0 TDI (DEUA)	PR 1LC, PR 1LD	Diesel	FWD	1968	110	150	08.15-09.18	■
2.0 TDI quattro (DEUA)	PR 1LC, PR 1LD	Diesel	4WD	1968	110	150	09.16-10.19	■
35 TDI (DEUA)	PR 1LC, PR 1LD	Diesel	FWD	1968	110	150	10.18-10.19	■
2.0 TDI quattro (DETB)	PR 1LC, PR 1LD	Diesel	4WD	1968	120	163	09.16-09.18	■
2.0 TDI (DESA)	PR 1LC, PR 1LD	Diesel	FWD	1968	140	190	08.15-09.18	■
2.0 TDI (DETA)	PR 1LC, PR 1LD	Diesel	FWD	1968	140	190	08.15-09.18	■
2.0 TDI (DFVA)	PR 1LC, PR 1LD	Diesel	FWD	1968	140	190	08.15-09.18	■
2.0 TDI quattro (DESA)	PR 1LC, PR 1LD	Diesel	4WD	1968	140	190	10.15-09.18	■
2.0 TDI quattro (DETA)	PR 1LC, PR 1LD	Diesel	4WD	1968	140	190	10.15-09.18	■
2.0 TDI quattro (DFVA)	PR 1LC, PR 1LD	Diesel	4WD	1968	140	190	10.15-09.18	■
40 TDI (DESA)	PR 1LC, PR 1LD	Diesel	FWD	1968	140	190	10.18-08.20	■
40 TDI (DETA)	PR 1LC, PR 1LD	Diesel	FWD	1968	140	190	10.18-08.20	■
40 TDI quattro (DETA)	PR 1LC, PR 1LD	Diesel	4WD	1968	140	190	10.18-09.20	■
3.0 TDI (CSWB)	PR 1LC, PR 1LD	Diesel	FWD	2967	160	218	10.15-08.18	■

LISTA DE APLICACIONES - BUYERS GUIDE

3.0 TDI quattro (CSWB)	PR 1LC, PR 1LD	Diesel	4WD	2967	160	218	11.15-08.18	■
45 TDI quattro (DCPE)	PR 1LC, PR 1LD, PR 1LG	Diesel	4WD	2967	170	231	07.18-	■
A5 II (F57, F5E) 11.16-					Convertible (Compact executive car-D Segment)			
2.0 TFSI (CVKB)	PR 1LC, PR 1LD	Gasolina	FWD	1984	140	190	03.17-12.19	■
2.0 TFSI (DKYA)	PR 1LC, PR 1LD	Gasolina	FWD	1984	140	190	03.17-12.19	■
40 TFSI (DMSA)	PR 1LC, PR 1LD, PR 1LG	Gasolina	FWD	1984	150	204	11.20-	■
2.0 TFSI (CYRB)	PR 1LC, PR 1LD	Gasolina	FWD	1984	185	252	03.17-12.19	■
2.0 TFSI quattro (CYMC)	PR 1LC, PR 1LD	Gasolina	4WD	1984	185	252	11.16-	■
2.0 TFSI quattro (CYRB)	PR 1LC, PR 1LD	Gasolina	4WD	1984	185	252	11.16-	■
35 TFSI Mild Hybrid (DMSB)	PR 1LC, PR 1LD, PR 1LG	Gasol./el éc.	FWD	1984	110	150	06.20-	■
40 TFSI Mild Hybrid (DEMA)	PR 1LC, PR 1LD, PR 1LG	Gasol./el éc.	FWD	1984	140	190	05.17-	■
40 TFSI Mild Hybrid (DKYA)	PR 1LC, PR 1LD, PR 1LG	Gasol./el éc.	FWD	1984	140	190	05.17-	■
40 TFSI Mild Hybrid (DLVA)	PR 1LC, PR 1LD, PR 1LG	Gasol./el éc.	FWD	1984	140	190	05.17-	■
40 TFSI Mild Hybrid (DMSA)	PR 1LC, PR 1LD, PR 1LG	Gasol./el éc.	FWD	1984	150	204	07.20-	■
40 TFSI Mild Hybrid quattro (DMSA)	PR 1LC, PR 1LD, PR 1LG	Gasol./el éc.	4WD	1984	150	204	06.20-	■
45 TFSI Mild Hybrid (DKNA)	PR 1LC, PR 1LD, PR 1LG	Gasol./el éc.	FWD	1984	180	245	07.18-12.19	■
45 TFSI Mild hybrid quattro (DKNA)	PR 1LC, PR 1LD, PR 1LG	Gasol./el éc.	4WD	1984	180	245	07.18-	■
45 TFSI Mild hybrid quattro (DDWB)	PR 1LC, PR 1LD, PR 1LG	Gasol./el éc.	4WD	1984	183	249	06.21-	■
2.0 TFSI Mild Hybrid (DDWA)	PR 1LC, PR 1LD, PR 1LG	Gasol./el éc.	FWD	1984	185	252	05.17-12.19	■
2.0 TFSI Mild Hybrid quattro (DDWA)	PR 1LC, PR 1LD, PR 1LG	Gasol./el éc.	4WD	1984	185	252	05.17-04.20	■
2.0 TFSI Mild Hybrid quattro (DLHB)	PR 1LC, PR 1LD, PR 1LG	Gasol./el éc.	4WD	1984	185	252	05.17-04.20	■
45 TFSI Mild hybrid quattro	PR 1LC, PR 1LD, PR 1LG	Gasol./el éc.	4WD	1984	195	265	06.20-	■
30 TDI Mild Hybrid	PR 1LC, PR 1LD, PR 1LG	Diesel/el éc.	FWD	1968	100	136	07.18-	■
40 TDI Mild Hybrid	PR 1LC, PR 1LD, PR 1LG	Diesel/el éc.	FWD	1968	150	204	09.20-	■
40 TDI Mild Hybrid quattro	PR 1LC, PR 1LD, PR 1LG	Diesel/el éc.	4WD	1968	150	204	09.20-	■
2.0 TDI (DEUA)	PR 1LC, PR 1LD	Diesel	FWD	1968	110	150	08.17-12.19	■
35 TDI (DEZE)	PR 1LC, PR 1LD	Diesel	FWD	1968	120	163	10.19-	■
2.0 TDI (DETA)	PR 1LC, PR 1LD	Diesel	FWD	1968	140	190	11.16-12.19	■
2.0 TDI quattro (DETA)	PR 1LC, PR 1LD	Diesel	4WD	1968	140	190	03.17-04.20	■
40 TDI (DETA)	PR 1LC, PR 1LD, PR 1LG	Diesel	FWD	1968	140	190	11.16-	■
40 TDI quattro (DETA)	PR 1LC, PR 1LD, PR 1LG	Diesel	4WD	1968	140	190	03.17-	■
3.0 TDI (CSWB)	PR 1LC, PR 1LD	Diesel	FWD	2967	160	218	03.17-08.18	■
3.0 TDI quattro (CSWB)	PR 1LC, PR 1LD	Diesel	4WD	2967	160	218	12.16-08.18	■
3.0 TDI quattro (DCPC)	PR 1LC, PR 1LD	Diesel	4WD	2967	210	286	11.16-12.19	■
50 TDI quattro (DCPC)	PR 1LC, PR 1LD, PR 1LG	Diesel	4WD	2967	210	286	11.16-	■
A5 II (F53, F5P) 06.16-					Coupe (Compact executive car-D Segment)			
1.4 TFSI (CVNA)	PR 1LC, PR 1LD, PR 1LG	Gasolina	FWD	1395	110	150	11.16-02.20	■
35 TFSI	PR 1LC, PR 1LD, PR 1LG	Gasolina	FWD	1984	110	150	03.20-	■
2.0 TFSI (CVKB)	PR 1LC, PR 1LD	Gasolina	FWD	1984	140	190	09.16-02.20	■
2.0 TFSI (DKYA)	PR 1LC, PR 1LD	Gasolina	FWD	1984	140	190	09.16-02.20	■
40 TFSI (DMSA)	PR 1LC, PR 1LD, PR 1LG	Gasolina	FWD	1984	150	204	11.20-	■
2.0 TFSI quattro (CYRC)	PR 1LC, PR 1LD	Gasolina	4WD	1984	183	249	06.16-02.20	■
2.0 45 TFSI quattro (CYRB,DLHB)	PR 1LC, PR 1LD, PR 1LG	Gasolina	4WD	1984	185	252	06.17-	■

LISTA DE APLICACIONES - BUYERS GUIDE

2.0 TFSI (CYRB)	PR 1LC, PR 1LD	Gasolina	FWD	1984	185	252	11.16-02.20	■
2.0 TFSI quattro (CYMC)	PR 1LC, PR 1LD	Gasolina	4WD	1984	185	252	06.16-	■
2.0 TFSI quattro (CYRB)	PR 1LC, PR 1LD	Gasolina	4WD	1984	185	252	06.16-	■
S5 TFSI quattro (CWGD)	PR 1LC, PR 1LD	Gasolina	4WD	2995	260	354	07.16-	■
35 TFSI Mild Hybrid (DLVB)	PR 1LC, PR 1LD, PR 1LG	Gasol./el éc.	FWD	1984	110	150	02.19-	■
35 TFSI Mild Hybrid (DMSB)	PR 1LC, PR 1LD, PR 1LG	Gasol./el éc.	FWD	1984	110	150	02.19-	■
40 TFSI Mild Hybrid (DEMA)	PR 1LC, PR 1LD	Gasol./el éc.	FWD	1984	140	190	05.17-	■
40 TFSI Mild Hybrid (DHDA)	PR 1LC, PR 1LD	Gasol./el éc.	FWD	1984	140	190	05.17-	■
40 TFSI Mild Hybrid (DKYA)	PR 1LC, PR 1LD	Gasol./el éc.	FWD	1984	140	190	05.17-	■
40 TFSI Mild Hybrid (DLVA)	PR 1LC, PR 1LD	Gasol./el éc.	FWD	1984	140	190	05.17-	■
40 TFSI Mild Hybrid	PR 1LC, PR 1LD	Gasol./el éc.	FWD	1984	150	204	07.20-	■
40 TFSI Mild Hybrid quattro	PR 1LC, PR 1LD	Gasol./el éc.	4WD	1984	150	204	07.20-	■
45 TFSI Mild Hybrid (DKNA)	PR 1LC, PR 1LD, PR 1LG	Gasol./el éc.	FWD	1984	180	245	07.18-08.20	■
45 TFSI Mild hybrid quattro (DKNA)	PR 1LC, PR 1LD, PR 1LG	Gasol./el éc.	4WD	1984	180	245	07.18-08.20	■
45 TFSI Mild hybrid quattro (DDWB)	PR 1LC, PR 1LD	Gasol./el éc.	4WD	1984	183	249	11.19-	■
2.0 TFSI Mild Hybrid (DDWA)	PR 1LC, PR 1LD	Gasol./el éc.	FWD	1984	185	252	05.17-02.20	■
2.0 TFSI Mild Hybrid quattro (DDWA)	PR 1LC, PR 1LD	Gasol./el éc.	4WD	1984	185	252	05.17-02.20	■
2.0 TFSI Mild Hybrid quattro (DLHB)	PR 1LC, PR 1LD	Gasol./el éc.	4WD	1984	185	252	05.17-02.20	■
45 TFSI Mild hybrid quattro	PR 1LC, PR 1LD	Gasol./el éc.	4WD	1984	195	265	10.19-	■
30 TDI Mild Hybrid (DEZB)	PR 1LC, PR 1LD, PR 1LG	Diesel/el éc.	FWD	1968	100	136	10.19-	■
40 TDI Mild Hybrid	PR 1LC, PR 1LD, PR 1LG	Diesel/el éc.	FWD	1968	150	204	09.20-	■
40 TDI Mild Hybrid quattro	PR 1LC, PR 1LD	Diesel/el éc.	4WD	1968	150	204	09.20-	■
50 TDI Mild Hybrid quattro	PR 1LC, PR 1LD	Diesel/el éc.	4WD	2967	210	286	08.20-	■
S5 TDI Mild Hybrid quattro	PR 1LC, PR 1LD	Diesel/el éc.	4WD	2967	251	341	01.21-	■
S5 TDI Mild Hybrid quattro (DEWB)	PR 1LC, PR 1LD, PR 1LG	Diesel/el éc.	4WD	2967	255	347	12.18-11.20	■
2.0 TDI (CZHA)	PR 1LC, PR 1LD	Diesel	FWD	1968	110	150	05.17-02.20	■
2.0 TDI (DEUA)	PR 1LC, PR 1LD	Diesel	FWD	1968	110	150	05.17-02.20	■
35 TDI (CZHA)	PR 1LC, PR 1LD, PR 1LG	Diesel	FWD	1968	110	150	05.17-02.20	■
35 TDI (DEUA)	PR 1LC, PR 1LD, PR 1LG	Diesel	FWD	1968	110	150	05.17-02.20	■
35 TDI (DEZE)	PR 1LC, PR 1LD, PR 1LG	Diesel	FWD	1968	120	163	08.19-	■
2.0 TDI (DESA)	PR 1LC, PR 1LD, PR 1LG	Diesel	FWD	1968	140	190	07.16-02.20	■
2.0 TDI (DETA)	PR 1LC, PR 1LD, PR 1LG	Diesel	FWD	1968	140	190	07.16-02.20	■
2.0 TDI quattro (DESA)	PR 1LC, PR 1LD	Diesel	4WD	1968	140	190	10.16-12.19	■
2.0 TDI quattro (DETA)	PR 1LC, PR 1LD	Diesel	4WD	1968	140	190	10.16-12.19	■
40 TDI (DESA)	PR 1LC, PR 1LD, PR 1LG	Diesel	FWD	1968	140	190	06.16-	■
40 TDI (DETA)	PR 1LC, PR 1LD, PR 1LG	Diesel	FWD	1968	140	190	06.16-	■
40 TDI quattro (DETA)	PR 1LC, PR 1LD, PR 1LG	Diesel	4WD	1968	140	190	10.16-	■
3.0 TDI (CSWB)	PR 1LC, PR 1LD	Diesel	FWD	2967	160	218	11.16-08.18	■
3.0 TDI quattro (CSWB)	PR 1LC, PR 1LD	Diesel	4WD	2967	160	218	07.16-08.18	■
45 TDI quattro (DCPE)	PR 1LC, PR 1LD, PR 1LG	Diesel	4WD	2967	170	231	07.18-11.20	■
3.0 TDI quattro (CRTC)	PR 1LC, PR 1LD, PR 1LG	Diesel	4WD	2967	200	272	02.17-12.17	■
3.0 TDI quattro (DCPC)	PR 1LC, PR 1LD, PR 1LG	Diesel	4WD	2967	210	286	01.17-02.20	■

LISTA DE APLICACIONES - BUYERS GUIDE

50 TDI quattro (DCPC)	PR 1LC, PR 1LD, PR 1LG	Diesel	4WD	2967	210	286	01.17-11.20	■
A5 II Sportback (F5A, F5F) 06.16-					Hatchback (Compact executive car-D Segment)			
1.4 TFSI (CVNA)	PR 1LC, PR 1LD, PR 1LG	Gasolina	FWD	1395	110	150	01.17-02.20	■
2.0 TFSI (CVKB)	PR 1LC, PR 1LD, PR 1LG	Gasolina	FWD	1984	140	190	01.17-02.20	■
2.0 TFSI (DKYA)	PR 1LC, PR 1LD, PR 1LG	Gasolina	FWD	1984	140	190	01.17-02.20	■
40 TFSI (DMSA)	PR 1LC, PR 1LD, PR 1LG	Gasolina	FWD	1984	150	204	11.20-	■
40 TFSI quattro (DMSA)	PR 1LC, PR 1LD, PR 1LG	Gasolina	4WD	1984	150	204	11.20-	■
2.0 TFSI quattro (CYRC)	PR 1LC, PR 1LD, PR 1LG	Gasolina	4WD	1984	183	249	09.16-02.20	■
2.0 TFSI (CYRB)	PR 1LC, PR 1LD, PR 1LG	Gasolina	FWD	1984	185	252	11.16-02.20	■
2.0 TFSI quattro (CYMC)	PR 1LC, PR 1LD, PR 1LG	Gasolina	4WD	1984	185	252	09.16-	■
2.0 TFSI quattro (CYRB)	PR 1LC, PR 1LD, PR 1LG	Gasolina	4WD	1984	185	252	09.16-	■
2.0 TFSI g-tron (CVLA)	PR 1LC, PR 1LD, PR 1LG	Gasol./Gas (CNG)	FWD	1984	125	170	02.17-02.20	■
40 TFSI g-tron (CVLA)	PR 1LC, PR 1LD, PR 1LG	Gasol./Gas (CNG)	FWD	1984	125	170	02.17-	■
35 TFSI Mild Hybrid (DLVB)	PR 1LC, PR 1LD, PR 1LG	Gasol./eléc.	FWD	1984	110	150	08.18-	■
35 TFSI Mild Hybrid (DMSB)	PR 1LC, PR 1LD, PR 1LG	Gasol./eléc.	FWD	1984	110	150	08.18-	■
40 TFSI Mild Hybrid (DEMA)	PR 1LC, PR 1LD, PR 1LG	Gasol./eléc.	FWD	1984	140	190	05.17-	■
40 TFSI Mild Hybrid (DHDA)	PR 1LC, PR 1LD, PR 1LG	Gasol./eléc.	FWD	1984	140	190	05.17-	■
40 TFSI Mild Hybrid (DKYA)	PR 1LC, PR 1LD, PR 1LG	Gasol./eléc.	FWD	1984	140	190	05.17-	■
40 TFSI Mild Hybrid (DLVA)	PR 1LC, PR 1LD, PR 1LG	Gasol./eléc.	FWD	1984	140	190	05.17-	■
40 TFSI Mild Hybrid (DMSA)	PR 1LC, PR 1LD, PR 1LG	Gasol./eléc.	FWD	1984	150	204	06.20-	■
40 TFSI Mild Hybrid quattro (DMSA)	PR 1LC, PR 1LD, PR 1LG	Gasol./eléc.	4WD	1984	150	204	06.20-	■
45 TFSI Mild Hybrid (DKNA)	PR 1LC, PR 1LD, PR 1LG	Gasol./eléc.	FWD	1984	180	245	07.18-02.20	■
45 TFSI Mild hybrid quattro (DKNA)	PR 1LC, PR 1LD, PR 1LG	Gasol./eléc.	4WD	1984	180	245	02.19-08.20	■
45 TFSI Mild hybrid quattro (DDWB)	PR 1LC, PR 1LD, PR 1LG	Gasol./eléc.	4WD	1984	183	249	06.21-	■
2.0 TFSI Mild Hybrid (DDWA)	PR 1LC, PR 1LD, PR 1LG	Gasol./eléc.	FWD	1984	185	252	05.17-02.20	■
2.0 TFSI Mild Hybrid quattro (DDWA)	PR 1LC, PR 1LD, PR 1LG	Gasol./eléc.	4WD	1984	185	252	05.17-02.20	■
2.0 TFSI Mild Hybrid quattro (DLHB)	PR 1LC, PR 1LD, PR 1LG	Gasol./eléc.	4WD	1984	185	252	05.17-02.20	■
45 TFSI Mild hybrid quattro	PR 1LC, PR 1LD, PR 1LG	Gasol./eléc.	4WD	1984	195	265	10.19-	■
30 TDI Mild Hybrid (DEZB)	PR 1LC, PR 1LD, PR 1LG	Diesel/eléc.	FWD	1968	100	136	10.19-	■
40 TDI Mild Hybrid	PR 1LC, PR 1LD, PR 1LG	Diesel/eléc.	FWD	1968	150	204	09.20-	■
40 TDI Mild Hybrid quattro	PR 1LC, PR 1LD, PR 1LG	Diesel/eléc.	4WD	1968	150	204	09.20-	■
50 TDI Mild Hybrid quattro (DMGA)	PR 1LC, PR 1LD, PR 1LG	Diesel/eléc.	4WD	2967	210	286	08.20-	■
S5 TDI Mild Hybrid quattro	PR 1LC, PR 1LD, PR 1LG	Diesel/eléc.	4WD	2967	251	341	01.21-	■
S5 TDI Mild Hybrid quattro (DEWB)	PR 1LC, PR 1LD, PR 1LG	Diesel/eléc.	4WD	2967	255	347	12.18-	■
2.0 TDI (DEUB)	PR 1LC, PR 1LD, PR 1LG	Diesel	FWD	1968	100	136	05.17-02.20	■
2.0 TDI (CZHA)	PR 1LC, PR 1LD	Diesel	FWD	1968	110	150	01.17-02.20	■
2.0 TDI (DEUA)	PR 1LC, PR 1LD	Diesel	FWD	1968	110	150	01.17-02.20	■
2.0 TDI quattro (CZHA)	PR 1LC, PR 1LD	Diesel	4WD	1968	110	150	05.17-02.20	■
2.0 TDI quattro (DEUA)	PR 1LC, PR 1LD	Diesel	4WD	1968	110	150	05.17-02.20	■

LISTA DE APLICACIONES - BUYERS GUIDE

35 TDI (DEUA)	PR 1LC, PR 1LD, PR 1LG	Diesel	FWD	1968	110	150	01.17-02.20	■	
35 TDI (DEZE)	PR 1LC, PR 1LD, PR 1LG	Diesel	FWD	1968	120	163	08.19-	■	
2.0 TDI (DESA)	PR 1LC, PR 1LD, PR 1LG	Diesel	FWD	1968	140	190	09.16-04.20	■	
2.0 TDI (DETA)	PR 1LC, PR 1LD, PR 1LG	Diesel	FWD	1968	140	190	09.16-04.20	■	
2.0 TDI quattro (DESA)	PR 1LC, PR 1LD, PR 1LG	Diesel	4WD	1968	140	190	10.16-02.20	■	
2.0 TDI quattro (DETA)	PR 1LC, PR 1LD, PR 1LG	Diesel	4WD	1968	140	190	10.16-02.20	■	
40 TDI (DESA)	PR 1LC, PR 1LD, PR 1LG	Diesel	FWD	1968	140	190	09.16-	■	
40 TDI (DETA)	PR 1LC, PR 1LD, PR 1LG	Diesel	FWD	1968	140	190	09.16-	■	
40 TDI quattro (DETA)	PR 1LC, PR 1LD, PR 1LG	Diesel	4WD	1968	140	190	08.16-	■	
3.0 TDI (CSWB)	PR 1LC, PR 1LD, PR 1LG	Diesel	FWD	2967	160	218	03.17-08.18	■	
3.0 TDI quattro (CSWB)	PR 1LC, PR 1LD, PR 1LG	Diesel	4WD	2967	160	218	09.16-08.18	■	
45 TDI quattro (DCPE)	PR 1LC, PR 1LD, PR 1LG	Diesel	4WD	2967	170	231	07.18-	■	
3.0 TDI quattro (CRTC)	PR 1LC, PR 1LD, PR 1LG	Diesel	4WD	2967	200	272	02.17-12.17	■	
3.0 TDI quattro (DCPC)	PR 1LC, PR 1LD, PR 1LG	Diesel	4WD	2967	210	286	01.17-02.20	■	
50 TDI quattro (DCPC)	PR 1LC, PR 1LD, PR 1LG	Diesel	4WD	2967	210	286	01.17-	■	
A6 V C8 Avant (4A5) 05.18-							Estate (Executive car-E Segment)		
40 TFSI 12V	PR 1LC, not ceramic brakes	Gasolina	FWD	1984	140	190	04.20-	■	
40 TFSI (DMTC)	PR 1LC, not ceramic brakes	Gasolina	FWD	1984	150	204	09.20-	■	
45 TFSI	PR 1LC, not ceramic brakes	Gasolina	FWD	1984	180	245	04.20-	■	
45 TFSI quattro	PR 1LC, not ceramic brakes	Gasolina	4WD	1984	195	265	10.22-	■	
40 TFSI Mild Hybrid	PR 1LC, not ceramic brakes	Gasol./el éc.	FWD	1984	140	190	02.19-	■	
40 TFSI Mild Hybrid	PR 1LC, not ceramic brakes	Gasol./el éc.	FWD	1984	150	204	01.21-	■	
45 TFSI Mild Hybrid (DKNA)	PR 1LC, not ceramic brakes	Gasol./el éc.	FWD	1984	180	245	08.18-	■	
45 TFSI Mild Hybrid (DLHA)	PR 1LC, not ceramic brakes	Gasol./el éc.	FWD	1984	180	245	08.18-	■	
45 TFSI Mild hybrid quattro (DKNA)	PR 1LC, not ceramic brakes	Gasol./el éc.	4WD	1984	180	245	08.18-	■	
45 TFSI Mild hybrid quattro (DLHA)	PR 1LC, not ceramic brakes	Gasol./el éc.	4WD	1984	180	245	08.18-	■	
45 TFSI Mild Hybrid (DMTA)	PR 1LC, not ceramic brakes	Gasol./el éc.	FWD	1984	195	265	05.20-	■	
45 TFSI Mild hybrid quattro (DMTA)	PR 1LC, not ceramic brakes	Gasol./el éc.	4WD	1984	195	265	05.20-	■	
50 TFSI e quattro	PR 1LC, not ceramic brakes	Gasol./el éc.	4WD	1984	220	299	02.21-	■	
55 TFSI e quattro (DLGA)	PR 1LC, not ceramic brakes	Gasol./el éc.	4WD	1984	270	367	04.20-	■	
55 TFSI e quattro (DLGA)	PR 1LC, not ceramic brakes	Gasol./el éc.	4WD	1984	270	367	02.21-	■	
55 TFSI Mild Hybrid quattro (DLZA)	PR 1LC, not ceramic brakes	Gasol./el éc.	4WD	2995	250	340	05.18-	■	
30 TDI Mild Hybrid (DEZF)	PR 1LC, not ceramic brakes	Diesel/el éc.	FWD	1968	100	136	01.19-	■	
35 TDI Mild Hybrid (DEZD)	PR 1LC, not ceramic brakes	Diesel/el éc.	FWD	1968	120	163	03.19-	■	
40 TDI Mild Hybrid	PR 1LC, not ceramic brakes	Diesel/el éc.	FWD	1968	140	190	02.19-	■	
40 TDI Mild Hybrid (DFBA)	PR 1LC, not ceramic brakes	Diesel/el éc.	FWD	1968	150	204	05.18-	■	
40 TDI Mild Hybrid quattro (DFBA)	PR 1LC, not ceramic brakes	Diesel/el éc.	4WD	1968	150	204	07.18-	■	
45 TDI Mild Hybrid quattro (DDVF)	PR 1LC, not ceramic brakes	Diesel/el éc.	4WD	2967	155	211	07.18-	■	
45 TDI Mild Hybrid quattro (DDVE)	PR 1LC, not ceramic brakes	Diesel/el éc.	4WD	2967	170	231	05.18-	■	
45 TDI Mild Hybrid quattro	PR 1LC, not ceramic brakes	Diesel/el éc.	4WD	2967	180	245	01.21-	■	
50 TDI Mild Hybrid quattro (DDVB)	PR 1LC, not ceramic brakes	Diesel/el éc.	4WD	2967	210	286	05.18-	■	
45 TDI quattro	PR 1LC, not ceramic brakes	Diesel	4WD	2967	183	249	07.19-	■	

LISTA DE APLICACIONES - BUYERS GUIDE

A6 V Allroad C8 (4AH) 11.18-						Estate (Executive car-E Segment)			
55 TFSI Mild Hybrid quattro (DLZA)	PR 1LC, not ceramic brakes	Gasol./el éc.	4WD	2995	250	340	11.19-	■	
40 TDI Mild Hybrid quattro	PR 1LC, not ceramic brakes	Diesel/el éc.	4WD	1968	150	204	09.20-	■	
45 TDI Mild Hybrid quattro (DDVE)	PR 1LC, not ceramic brakes	Diesel/el éc.	4WD	2967	170	231	11.18-	■	
45 TDI Mild Hybrid quattro	PR 1LC, not ceramic brakes	Diesel/el éc.	4WD	2967	180	245	01.21-	■	
50 TDI Mild Hybrid quattro (DDVB)	PR 1LC, not ceramic brakes	Diesel/el éc.	4WD	2967	210	286	11.18-	■	
55 TDI Mild Hybrid quattro	PR 1LC, not ceramic brakes	Diesel/el éc.	4WD	2967	253	344	11.20-	■	
55 TDI Mild Hybrid quattro (DEWA)	PR 1LC, not ceramic brakes	Diesel/el éc.	4WD	2967	257	349	03.19-	■	
45 TDI quattro	PR 1LC, not ceramic brakes	Diesel	4WD	2967	183	249	08.19-	■	
A6 V C8 (4A2) 02.18-						Saloon (Executive car-E Segment)			
40 TFSI (DMTC)	PR 1LC, not ceramic brakes	Gasolina	FWD	1984	150	204	09.20-	■	
45 TFSI	PR 1LC, not ceramic brakes	Gasolina	FWD	1984	185	252	11.19-	■	
45 TFSI quattro (DLHB)	PR 1LC, not ceramic brakes	Gasolina	4WD	1984	185	252	11.19-	■	
40 TFSI Mild Hybrid	PR 1LC, not ceramic brakes	Gasol./el éc.	FWD	1984	140	190	02.19-	■	
40 TFSI Mild Hybrid	PR 1LC, not ceramic brakes	Gasol./el éc.	FWD	1984	150	204	01.21-	■	
45 TFSI Mild Hybrid (DKNA)	PR 1LC, not ceramic brakes	Gasol./el éc.	FWD	1984	180	245	08.18-	■	
45 TFSI Mild Hybrid (DLHA)	PR 1LC, not ceramic brakes	Gasol./el éc.	FWD	1984	180	245	08.18-	■	
45 TFSI Mild hybrid quattro (DKNA)	PR 1LC, not ceramic brakes	Gasol./el éc.	4WD	1984	180	245	08.18-	■	
45 TFSI Mild hybrid quattro (DLHA)	PR 1LC, not ceramic brakes	Gasol./el éc.	4WD	1984	180	245	08.18-	■	
45 TFSI Mild Hybrid (DMTA)	PR 1LC, not ceramic brakes	Gasol./el éc.	FWD	1984	195	265	05.20-	■	
45 TFSI Mild hybrid quattro (DMTA)	PR 1LC, not ceramic brakes	Gasol./el éc.	4WD	1984	195	265	05.20-	■	
50 TFSI e quattro (DLGA)	PR 1LC, not ceramic brakes	Gasol./el éc.	4WD	1984	220	299	11.19-	■	
50 TFSI e quattro	PR 1LC, not ceramic brakes	Gasol./el éc.	4WD	1984	220	299	02.21-	■	
30 TDI Mild Hybrid (DEZF)	PR 1LC, not ceramic brakes	Diesel/el éc.	FWD	1968	100	136	01.19-	■	
35 TDI Mild Hybrid (DEZD)	PR 1LC, not ceramic brakes	Diesel/el éc.	FWD	1968	120	163	03.19-	■	
40 TDI Mild Hybrid (DFBA)	PR 1LC, not ceramic brakes	Diesel/el éc.	FWD	1968	150	204	07.18-	■	
40 TDI Mild Hybrid quattro	PR 1LC, not ceramic brakes	Diesel/el éc.	4WD	1968	150	204	07.18-	■	
45 TDI Mild Hybrid quattro (DDVF)	PR 1LC, not ceramic brakes	Diesel/el éc.	4WD	2967	155	211	07.18-	■	
45 TDI Mild Hybrid quattro (DDVE)	PR 1LC	Diesel/el éc.	4WD	2967	170	231	07.18-	■	
45 TDI Mild Hybrid quattro	PR 1LC, not ceramic brakes	Diesel/el éc.	4WD	2967	180	245	01.21-	■	
50 TDI Mild Hybrid quattro (DDVB)	PR 1LC, not ceramic brakes	Diesel/el éc.	4WD	2967	210	286	02.18-	■	
40 TDI	PR 1LC, not ceramic brakes	Diesel	FWD	1968	140	190	02.19-	■	
45 TDI quattro	PR 1LC, not ceramic brakes	Diesel	4WD	2967	183	249	07.19-	■	
A7 II Sportback (4KA) 10.17-						Hatchback (Executive car-E Segment)			
40 TFSI 12V (DKYA)	PR 1LC, not ceramic brakes	Gasolina	FWD	1984	140	190	11.19-	■	
40 TFSI	PR 1LC, not ceramic brakes	Gasolina	FWD	1984	150	204	11.22-	■	
45 TFSI (DLHA)	PR 1LC, not ceramic brakes	Gasolina	FWD	1984	180	245	11.19-	■	
45 TFSI	PR 1LC, not ceramic brakes	Gasolina	FWD	1984	195	265	11.22-	■	

LISTA DE APLICACIONES - BUYERS GUIDE

40 TFSI Mild Hybrid	PR 1LC, not ceramic brakes	Gasol./el éc.	FWD	1984	140	190	08.20-	■	
40 TFSI Mild Hybrid	PR 1LC, not ceramic brakes	Gasol./el éc.	FWD	1984	150	204	08.20-	■	
45 TFSI Mild Hybrid (DKNA)	PR 1LC, not ceramic brakes	Gasol./el éc.	FWD	1984	180	245	07.18-	■	
45 TFSI Mild Hybrid (DLHA)	PR 1LC, not ceramic brakes	Gasol./el éc.	FWD	1984	180	245	07.18-	■	
45 TFSI Mild hybrid quattro (DKNA)	PR 1LC, not ceramic brakes	Gasol./el éc.	4WD	1984	180	245	07.18-	■	
45 TFSI Mild hybrid quattro (DLHA)	PR 1LC, not ceramic brakes	Gasol./el éc.	4WD	1984	180	245	07.18-	■	
45 TFSI Mild Hybrid	PR 1LC, not ceramic brakes	Gasol./el éc.	FWD	1984	195	265	05.20-	■	
45 TFSI Mild hybrid quattro	PR 1LC, not ceramic brakes	Gasol./el éc.	4WD	1984	195	265	05.20-	■	
50 TFSI e quattro (DLGA)	PR 1LC, not ceramic brakes	Gasol./el éc.	4WD	1984	220	299	11.19-	■	
50 TFSI e quattro	PR 1LC, not ceramic brakes	Gasol./el éc.	4WD	1984	220	299	02.21-	■	
55 TFSI e quattro	PR 1LC, not ceramic brakes	Gasol./el éc.	4WD	1984	270	367	07.19-	■	
55 TFSI e quattro	PR 1LC, not ceramic brakes	Gasol./el éc.	4WD	1984	270	367	02.21-	■	
S7 TFSI Mild Hybrid quattro	PR 1LC, not ceramic brakes	Gasol./el éc.	4WD	2894	331	450	01.20-	■	
35 TDI Mild Hybrid	PR 1LC, not ceramic brakes	Diesel/el éc.	FWD	1968	120	163	10.20-	■	
40 TDI Mild Hybrid (DFBA)	PR 1LC, not ceramic brakes	Diesel/el éc.	FWD	1968	150	204	09.18-	■	
40 TDI Mild Hybrid quattro (DFBA)	PR 1LC, not ceramic brakes	Diesel/el éc.	4WD	1968	150	204	09.18-	■	
45 TDI Mild Hybrid quattro (DDVF)	PR 1LC, not ceramic brakes	Diesel/el éc.	4WD	2967	155	211	04.18-	■	
45 TDI Mild Hybrid quattro (DDVE)	PR 1LC, not ceramic brakes	Diesel/el éc.	4WD	2967	170	231	06.18-	■	
45 TDI Mild Hybrid quattro	PR 1LC, not ceramic brakes	Diesel/el éc.	4WD	2967	180	245	01.21-	■	
50 TDI Mild Hybrid quattro (DDVB)	PR 1LC	Diesel/el éc.	4WD	2967	210	286	10.17-	■	
S7 TDI Mild Hybrid quattro	PR 1LC, not ceramic brakes	Diesel/el éc.	4WD	2967	253	344	11.20-	■	
S7 TDI Mild Hybrid quattro (DEWA)	PR 1LC, not ceramic brakes	Diesel/el éc.	4WD	2967	257	349	03.19-	■	
Q5 II (FYB, FYG) 05.16-					SUV Van (Luxury Crossover SUV-J Segment)				
3.0 SQ5 TDI Mild Hybrid quattro	PR 1LC	Diesel/el éc.	4WD	2967	255	347	02.19-11.20	■	
3.0 TDI quattro	PR 1LC	Diesel	4WD	2967	210	286	07.17-11.20	■	
Q5 II (FYB, FYG) 05.16-					SUV (Luxury Crossover SUV-J Segment)				
2.0 TFSI quattro (DAXC)	PR 1LC	Gasolina	4WD	1984	183	249	01.17-11.20	■	
2.0 TFSI quattro (DAXB)	PR 1LC	Gasolina	4WD	1984	185	252	06.16-11.20	■	
2.0 TFSI quattro (DAYB)	PR 1LC	Gasolina	4WD	1984	185	252	06.16-11.20	■	
SQ5 TFSI quattro (CWGD)	PR 1LC	Gasolina	4WD	2995	260	354	11.16-	■	
40 TFSI Mild Hybrid quattro	PR 1LC	Gasol./el éc.	4WD	1984	150	204	10.21-	■	
45 TFSI Mild hybrid quattro (DGKB)	PR 1LC	Gasol./el éc.	4WD	1984	180	245	12.18-	■	
45 TFSI Mild hybrid quattro (DNNTA)	PR 1LC	Gasol./el éc.	4WD	1984	180	245	12.18-	■	
45 TFSI Mild hybrid quattro (DGKB)	PR 1LC	Gasol./el éc.	4WD	1984	183	249	09.20-	■	
45 TFSI Mild hybrid quattro (DPUA)	PR 1LC	Gasol./el éc.	4WD	1984	195	265	08.20-	■	
45 TFSI Mild hybrid quattro (DPVA)	PR 1LC	Gasol./el éc.	4WD	1984	195	265	08.20-	■	
50 TFSI e quattro (DLGA)	PR 1LC	Gasol./el éc.	4WD	1984	220	299	04.19-	■	

LISTA DE APLICACIONES - BUYERS GUIDE

50 TFSI e quattro	PR 1LC	Gasol./el éc.	4WD	1984	220	299	02.21-	■
55 TFSI e quattro (DLGA)	PR 1LC	Gasol./el éc.	4WD	1984	270	367	08.19-	■
55 TFSI e quattro	PR 1LC	Gasol./el éc.	4WD	1984	270	367	02.21-	■
30 TDI Mild Hybrid (DEZB)	PR 1LC	Diesel/el éc.	FWD	1968	100	136	09.19-	■
35 TDI Mild Hybrid (DEZE)	PR 1LC	Diesel/el éc.	FWD	1968	120	163	09.19-	■
40 TDI Mild Hybrid quattro (DFBA)	PR 1LC	Diesel/el éc.	4WD	1968	150	204	09.19-	■
50 TDI Mild Hybrid quattro (DMGA)	PR 1LC	Diesel/el éc.	4WD	2967	210	286	06.20-	■
SQ5 TDI Mild Hybrid quattro	PR 1LC	Diesel/el éc.	4WD	2967	251	341	01.21-	■
SQ5 TDI Mild Hybrid quattro (DEWB)	PR 1LC	Diesel/el éc.	4WD	2967	255	347	02.19-09.20	■
2.0 TDI (DEUB)	PR 1LC	Diesel	FWD	1968	100	136	01.17-11.20	■
2.0 TDI (DEUA)	PR 1LC	Diesel	FWD	1968	110	150	01.17-11.20	■
2.0 TDI quattro (DETB)	PR 1LC	Diesel	4WD	1968	120	163	06.16-08.18	■
35 TDI	PR 1LC	Diesel	FWD	1968	120	163	10.21-	■
35 TDI quattro (DETB)	PR 1LC	Diesel	4WD	1968	120	163	08.18-11.20	■
2.0 TDI quattro (DESA)	PR 1LC	Diesel	4WD	1968	140	190	06.16-08.18	■
2.0 TDI quattro (DETA)	PR 1LC	Diesel	4WD	1968	140	190	06.16-08.18	■
40 TDI quattro (DESA)	PR 1LC	Diesel	4WD	1968	140	190	10.18-	■
40 TDI quattro (DETA)	PR 1LC	Diesel	4WD	1968	140	190	10.18-	■
45 TDI quattro (DCPE)	PR 1LC	Diesel	4WD	2967	170	231	08.18-11.20	■
3.0 TDI quattro (DCPC)	PR 1LC	Diesel	4WD	2967	210	286	07.17-11.20	■
50 TDI quattro (DCPC)	PR 1LC	Diesel	4WD	2967	210	286	03.19-11.20	■
Q5 II Sportback (FYT) 11.20-								
							SUV (Luxury Crossover SUV-J Segment)	
SQ5 TFSI quattro	PR 1LC	Gasolina	4WD	2995	260	354	03.21-	■
40 TFSI Mild Hybrid quattro	PR 1LC	Gasol./el éc.	4WD	1984	150	204	10.21-	■
45 TFSI Mild hybrid quattro	PR 1LC	Gasol./el éc.	4WD	1984	183	249	04.21-	■
45 TFSI Mild hybrid quattro	PR 1LC	Gasol./el éc.	4WD	1984	195	265	11.20-	■
50 TFSI e quattro	PR 1LC	Gasol./el éc.	4WD	1984	220	299	02.21-	■
2.0 55 TFSI e quattro	PR 1LC	Gasol./el éc.	4WD	1984	270	367	07.21-	■
55 TFSI e quattro	PR 1LC	Gasol./el éc.	4WD	1984	270	367	06.21-	■
SQ5 TFSI quattro	PR 1LC	Gasol./el éc.	4WD	2995	260	354	09.22-	■
35 TDI Mild Hybrid	PR 1LC	Diesel/el éc.	FWD	1968	120	163	04.21-	■
40 TDI Mild Hybrid quattro	PR 1LC	Diesel/el éc.	4WD	1968	150	204	11.20-	■
50 TDI Mild Hybrid quattro	PR 1LC	Diesel/el éc.	4WD	2967	210	286	02.21-	■
SQ5 TDI Mild Hybrid quattro	PR 1LC	Diesel/el éc.	4WD	2967	251	341	02.21-	■
40 TDI quattro (DESA)	PR 1LC	Diesel	4WD	1968	140	190	04.22-	■