

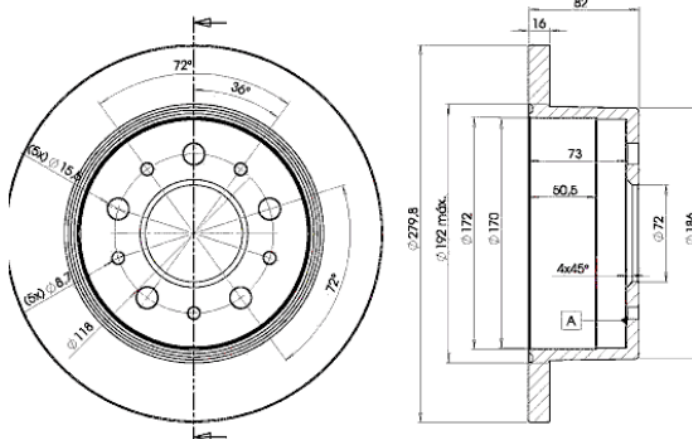
LISTA DE APLICACIONES - BUYERS GUIDE

78BD3806-1



8 424073 145239

Weight: 7.664



78BD3806-1



Ø280x16x82

WVA

4249A1

MAKE

CITROËN

FIAT

PEUGEOT



Trac.	CC	Kw	CV
-------	----	----	----



Front / Rear

CITROËN

JUMPER II / RELAY (230P) 02.94-04.02								Bus (Minibus-M2-Segment)	
2.0 (RFW (XU10J2U))	11/01-, Eq.V_ 1000-1400 kg.	Gasolina	FWD	1998	80	109	02.94-04.02		■
2.0 (XU10J2)	Eq.V_ 1000-1400 kg.	Gasolina	FWD	1998	81	110	04.02-06.06		■
2.0 bivalent (XU10J2)	Eq.V_ 1000-1400 kg.	Gasol./Gas (CNG)	FWD	1998	81	110	02.03-06.06		■
1.9 D (D9B (XUD9A/U))		Diesel	FWD	1905	51	69	01.99-04.02		■
1.9 TD (D8C (XUD9UTF))		Diesel	FWD	1905	66	90	08.94-04.02		■
1.9 TD (D8C (XUD9UTF))		Diesel	FWD	1905	68	92	02.94-04.02		■
1.9 TD 4x4 (D8C (XUD9UTF))		Diesel	4WD	1905	68	92	08.96-04.02		■
2.0 HDi (RHV (DW10UTD))	Eq.V_ 1000-1400 kg.	Diesel	FWD	1997	62	84	04.02-06.06		■
2.2 HDi (4HY (DW12UTED))	Eq.V_ 1000-1400 kg.	Diesel	FWD	2179	74	101	04.02-06.06		■
2.5 D (T9A (DJ5))	11/01-, Eq.V_ 1000-1400 kg.	Diesel	FWD	2446	63	86	08.94-04.02		■
2.5 D 4x4 (T9A (DJ5))	11/01-, Eq.V_ 1000-1400 kg.	Diesel	4WD	2446	63	86	08.96-04.02		■
2.8 D (8140.63 (F28D))		Diesel	FWD	2798	64	87	01.99-02.02		■
2.8 HDI (8140.43S)	Eq.V_ 1000-1400 kg.	Diesel	FWD	2798	94	128	04.02-06.06		■
2.8 HDi A las 4 ruedas (8140.43S)		Diesel	4WD	2798	94	128	04.02-06.06		■
JUMPER II / RELAY (230) 03.94-04.02								Platform/Chassis (LCVs-N1 Segment)	
2.0 (RFW (XU10J2U))	11/01-, Eq.V_ 1000-1400 kg.	Gasolina	FWD	1998	80	109	03.94-04.02		■
2.0 HDi (RHV (DW10UTD))	Eq.V_ 1000-1400 kg.	Diesel	FWD	1997	62	84	04.02-06.06		■
2.2 HDi (4HY (DW12UTED))	Eq.V_ 1000-1400 kg.	Diesel	FWD	2179	74	101	04.02-06.06		■
2.5 D (T9A (DJ5))	11/01-, Eq.V_ 1000-1400 kg.	Diesel	FWD	2446	63	86	03.94-04.02		■
2.5 D 4x4 (T9A (DJ5))	11/01-, Eq.V_ 1000-1400 kg.	Diesel	4WD	2446	63	86	03.00-04.02		■
2.8 D (8140.63 (F28D))		Diesel	FWD	2798	64	87	01.99-02.02		■

LISTA DE APLICACIONES - BUYERS GUIDE

2.8 HDI (8140.43S)	12/01-, Eq.V_ 1000-1400 kg.	Diesel	FWD	2798	94	128	09.00-04.02	■	
2.8 HDI (8140.43S)	Eq.V_ 1000-1400 kg.	Diesel	FWD	2798	94	128	04.02-06.06	■	
2.8 HDi 4x4 (F28TDCR)		Diesel	4WD	2798	94	128	02.02-06.06	■	
JUMPER II / RELAY (230L) 02.94-08.02					Van (LCVs-N1 Segment)				
2.0 (RFW (XU10J2U))	11/01-, Eq.V_ 1000-1400 kg.	Gasolina	FWD	1998	80	109	03.94-04.02	■	
2.0 4x4 (RFW (XU10J2U))		Gasolina	4WD	1998	80	109	10.96-01.02	■	
2.0 (XU10J2)	Eq.V_ 1000-1400 kg.	Gasolina	FWD	1998	81	110	04.02-06.06	■	
2.0 bivalent (XU10J2)	Eq.V_ 1000-1400 kg.	Gasol./Gas (CNG)	FWD	1998	81	110	02.03-06.06	■	
1.9 D (DJY (XUD9A))		Diesel	FWD	1905	50	68	07.99-04.02	■	
1.9 D (D9B (XUD9A/U))		Diesel	FWD	1905	51	69	02.94-04.02	■	
1.9 TD (DHX (XUD9TF/BTF))		Diesel	FWD	1905	66	90	03.94-04.02	■	
1.9 TD (D8C (XUD9UTF))		Diesel	FWD	1905	68	92	03.94-04.02	■	
2.0 HDi (RHV (DW10TD))	Eq.V_ 1000-1400 kg.	Diesel	FWD	1997	62	84	11.01-04.02	■	
2.0 HDi (RHV (DW10UTD))	Eq.V_ 1000-1400 kg.	Diesel	FWD	1997	62	84	04.02-06.06	■	
2.2 HDi (4HY (DW12UTED))	Eq.V_ 1000-1400 kg.	Diesel	FWD	2179	74	101	04.02-06.06	■	
2.5 D (T9A (DJ5))	11/01-, Eq.V_ 1000-1400 kg.	Diesel	FWD	2446	63	86	03.94-04.02	■	
2.5 D 4x4 (T9A (DJ5))	11/01-, Eq.V_ 1000-1400 kg.	Diesel	4WD	2446	63	86	03.00-04.02	■	
2.8 D (8140.63 (F28D))		Diesel	FWD	2798	64	87	01.99-02.02	■	
2.8 HDI (8140.43S)	12/01-, Eq.V_ 1000-1400 kg.	Diesel	FWD	2798	94	128	09.00-04.02	■	
2.8 HDI (8140.43S)	Eq.V_ 1000-1400 kg.	Diesel	FWD	2798	94	128	04.02-06.06	■	
2.8 HDi 4x4 (8140.43S)	12/01-, Eq.V_ 1000-1400 kg.	Diesel	4WD	2798	94	128	09.00-04.02	■	
2.8 HDi 4x4 (8140.43S)	Eq.V_ 1000-1400 kg.	Diesel	4WD	2798	94	128	04.02-06.06	■	
2.8 HDI (8140.43N)	Eq.V_ 1000-1400 kg.	Diesel	FWD	2798	107	146	04.04-06.06	■	
JUMPER III / RELAY 04.06-					Bus (Minibus-M2-Segment)				
2.0 BlueHDI 110 (AHM (DW10FUE))		Diesel	FWD	1997	81	110	07.15-09.19	■	
2.0 BlueHDI 130 (AHN (DW10FUD))		Diesel	FWD	1997	96	130	07.15-09.19	■	
2.0 BlueHDI 160 (AHP (DW10FUC))		Diesel	FWD	1997	120	163	07.15-09.19	■	
2.2 HDi 100 (4HV (P22DTE))		Diesel	FWD	2198	74	101	04.06-	■	
2.2 HDi 110 (4HG (P22DTE))	Eq.V_ 3000-3300 kg.	Diesel	FWD	2198	81	110	07.11-12.20	■	
2.2 HDi 120 (4HU (P22DTE))		Diesel	FWD	2198	88	120	04.06-12.16	■	
2.2 HDi 130 (4HH (P22DTE))	Kg. 1400	Diesel	FWD	2198	96	130	07.11-	■	
2.2 HDi 150 (4HJ (P22DTE))	Eq.V_ 3000-3300 kg.	Diesel	FWD	2198	110	150	07.11-	■	
3.0 HDi 155 (F1CE0481D (F30DT))	Kg. 1400	Diesel	FWD	2999	115	157	07.06-	■	
3.0 HDi 160 (F1CE0481D (F30DT))		Diesel	FWD	2999	116	157	09.06-	■	
3.0 HDi 180 (F1CE3481E (F30DTE))	Eq.V_ 3000-3300 kg.	Diesel	FWD	2999	130	177	07.11-	■	
JUMPER III / RELAY 04.06-					Platform/Chassis (LCVs-N1 Segment)				
2.0 BlueHDI 110 (AHM (DW10FUE))		Diesel	FWD	1997	81	110	11.15-09.19	■	
2.0 BlueHDI 130 (AHN (DW10FUD))		Diesel	FWD	1997	96	130	11.15-09.19	■	
2.0 BlueHDI 130 4x4 (AHN (DW10FUD))		Diesel	4WD	1997	96	130	11.15-09.19	■	
2.0 BlueHDI 160 (AHP (DW10FUC))		Diesel	FWD	1997	120	163	11.15-09.19	■	
2.0 BlueHDI 160 4x4 (AHP (DW10FUC))		Diesel	4WD	1997	120	163	11.15-09.19	■	
2.2 HDi 100 (4HV (P22DTE))		Diesel	FWD	2198	74	101	04.06-	■	
2.2 HDi 110 (4HG (P22DTE))		Diesel	FWD	2198	81	110	07.11-12.20	■	
2.2 HDi 120 (4HU (P22DTE))		Diesel	FWD	2198	88	120	04.06-12.16	■	
2.2 HDi 130 (4HH (P22DTE))	Eq.V_ 3000-3300 kg.	Diesel	FWD	2198	96	130	07.06-	■	
2.2 HDi 150 (4HJ (P22DTE))	Eq.V_ 3000-3300 kg.	Diesel	FWD	2198	110	150	07.11-	■	
3.0 HDi 145 (F30DTE (F1CE3481N))	Kg. 1400	Diesel	FWD	2999	107	146	07.10-12.13	■	
3.0 HDi 160 (F1CE0481D (F30DT))		Diesel	FWD	2999	116	157	09.06-12.15	■	
3.0 HDi 180 (F1CE3481E (F30DTE))	Kg. 3300	Diesel	FWD	2999	130	177	07.11-	■	

LISTA DE APLICACIONES - BUYERS GUIDE

JUMPER III / RELAY 04.06-						Van (LCVs-N1 Segment)			
2.0 BlueHDi 110 (AHM (DW10FUE))		Diesel	FWD	1997	81	110	11.15-09.19	■	
2.0 BlueHDi 130 (AHN (DW10FUD))		Diesel	FWD	1997	96	130	11.15-09.19	■	
2.0 BlueHDi 160 (AHP (DW10FUC))		Diesel	FWD	1997	120	163	11.15-09.19	■	
2.0 BlueHDi 160 4x4 (AHP (DW10FUC))		Diesel	4WD	1997	120	163	11.15-09.19	■	
2.2 HDi 100 (4HV (P22DTE))		Diesel	FWD	2198	74	101	04.06-12.12	■	
2.2 HDi 110 (4HG (P22DTE))	Eq.V_ 3000-3300 kg.	Diesel	FWD	2198	81	110	07.11-12.20	■	
2.2 HDi 120 (4HU (P22DTE))		Diesel	FWD	2198	88	120	04.06-12.16	■	
2.2 HDi 130 (4HH (P22DTE))	Eq.V_ 3000-3300 kg.	Diesel	FWD	2198	96	130	07.11-	■	
2.2 HDi 150 (4HJ (P22DTE))	Eq.V_ 3000-3300 kg.	Diesel	FWD	2198	110	150	07.11-	■	
3.0 HDi 145 (F30DTE (F1CE3481N))	Kg. 1400	Diesel	FWD	2999	107	146	07.10-12.13	■	
3.0 HDi 155 (F1CE0481D (F30DT))	Kg. 1400	Diesel	FWD	2999	115	156	07.06-12.15	■	
3.0 HDi 160 (F1CE0481D (F30DT))		Diesel	FWD	2999	116	157	09.06-12.15	■	
3.0 HDi 180 (F1CE3481E (F30DTE))	Eq.V_ 3000-3300 kg.	Diesel	FWD	2999	130	177	07.11-	■	
FIAT									
DUCATO II (230_) 03.94-05.05						Bus (Minibus-M2-Segment)			
2.0 Panorama/Combinato (RFW)	12/01-, ch- 6194400, Eq.V_ 1000-1400 kg.	Gasolina	FWD	1998	80	109	03.94-04.02	■	
2.0 (RFL)	Eq.V_ 1000-1400 kg.	Gasolina	FWD	1998	81	110	12.01-07.06	■	
2.0 LPG (RFL)		Gasol./Gas (LPG)	FWD	1998	71	97	11.02-07.06	■	
2.3 JTD (F1AE0481C)	Eq.V_ 1000-1400 kg.	Diesel	FWD	2286	81	110	12.01-07.06	■	
2.3 JTD		Diesel	FWD	2287	93	126	12.09-12.17	■	
2.5 D		Diesel	FWD	2499	55	75	03.94-04.02	■	
2.5 TD 4x4 (8140.47)		Diesel	4WD	2499	85	116	06.94-09.01	■	
2.5 TDI 4x4 (8140.47)		Diesel	4WD	2500	85	116	04.97-04.02	■	
2.8 JTD (8140.43S)	12/01-, Eq.V_ 1000-1400 kg.	Diesel	FWD	2798	94	128	11.00-04.02	■	
2.8 JTD (8140.43S)	Eq.V_ 1000-1400 kg.	Diesel	FWD	2798	94	128	12.01-	■	
2.8 JTD 4x4 (8140.43S)	12/01-, Eq.V_ 1000-1400 kg.	Diesel	4WD	2798	94	128	11.00-04.02	■	
DUCATO II (230_) 03.94-04.02						Platform/Chassis (LCVs-N1 Segment)			
2.0 4x4 (RFW)		Gasolina	4WD	1998	80	109	11.94-09.01	■	
2.0 (RFL)		Gasolina	FWD	1998	81	110	04.02-07.06	■	
2.0 JTD (RHV)		Diesel	FWD	1997	62	84	07.01-04.02	■	
2.0 JTD (RHV)	Eq.V_ 1000-1400 kg.	Diesel	FWD	1997	62	84	12.01-07.06	■	
2.3 JTD (F1AE0481C)	Eq.V_ 1000-1400 kg.	Diesel	FWD	2286	81	110	12.01-07.06	■	
2.8 JTD (8140.43S)	12/01-, Eq.V_ 1000-1400 kg.	Diesel	FWD	2798	94	128	11.00-04.02	■	
2.8 JTD (8140.43S)	Eq.V_ 1000-1400 kg.	Diesel	FWD	2798	94	128	12.01-07.06	■	
2.8 JTD 4x4 (8140.43S)		Diesel	4WD	2798	94	128	10.01-04.02	■	
2.8 JTD 4x4 (8140.43S)	Eq.V_ 1000-1400 kg.	Diesel	4WD	2798	94	128	12.01-07.06	■	
2.8 JTD 4x4		Diesel	4WD	2799	90	122	11.03-07.06	■	
DUCATO II (230_) 03.94-05.05						Van (LCVs-N1 Segment)			
2.0 (RFL)	Eq.V_ 1000-1400 kg.	Gasolina	FWD	1998	81	110	12.01-07.06	■	
2.0 LPG (RFL)		Gasol./Gas (LPG)	FWD	1998	71	97	11.02-07.06	■	
2.3 JTD (F1AE0481C)	Eq.V_ 1000-1400 kg.	Diesel	FWD	2286	81	110	12.01-07.06	■	
2.3 JTD		Diesel	FWD	2287	93	126	09.09-12.18	■	
2.8 JTD (8140.43S)	Eq.V_ 1000-1400 kg.	Diesel	FWD	2798	94	128	12.01-12.11	■	
2.8 JTD 4x4 (8140.43S)	12/01-, Eq.V_ 1000-1400 kg.	Diesel	4WD	2798	94	128	11.00-04.02	■	
2.8 JTD 4x4 (8140.43S)	Eq.V_ 1000-1400 kg.	Diesel	4WD	2798	94	128	12.01-07.06	■	
DUCATO III (250_) 07.06-						Bus (Minibus-M2-Segment)			
115 Multijet 2,0 D (250 A1.000)		Diesel	FWD	1956	85	116	06.11-	■	

LISTA DE APLICACIONES - BUYERS GUIDE

115 Multijet 2,0 D (250 A2.000)		Diesel	FWD	1956	85	116	06.11-	■	
140 Multijet 2,2 D		Diesel	FWD	2184	103	140	07.21-10.23	■	
100 Multijet 2,2 D (4HV)		Diesel	FWD	2198	74	101	07.06-05.11	■	
120 Multijet 2,3 D (F1AE0481D)		Diesel	FWD	2287	88	120	07.06-10.13	■	
130 Multijet 2,3 D (F1AE0481N)		Diesel	FWD	2287	96	131	01.07-	■	
130 Multijet 2,3 D (F1AE3481D)		Diesel	FWD	2287	96	131	01.07-	■	
130 Multijet 2,3 D (F1AGL411D)		Diesel	FWD	2287	96	131	01.07-	■	
150 Multijet 2,3 D (F1AE3481E)		Diesel	FWD	2287	109	148	06.11-	■	
150 Multijet 3,0 D (F1CE3481N)		Diesel	FWD	2999	107	146	04.10-07.14	■	
160 Multijet 3,0 D (F1CE0481D)		Diesel	FWD	2999	116	158	07.06-05.11	■	
160 Multijet 3,0 D (F1CE3481M)		Diesel	FWD	2999	116	158	07.06-05.11	■	
180 Multijet 3,0 D (F1CE3481E)		Diesel	FWD	2999	130	177	06.11-	■	
140 Natural Power (F1CE0441A)		CNG	FWD	2999	100	136	04.09-	■	
140 Natural Power (F1CFA401A)		CNG	FWD	2999	100	136	04.09-	■	
DUCATO III (250_) 07.06-							Platform/Chassis (LCVs-N1 Segment)		
115 Multijet 2,0 D (250 A1.000)		Diesel	FWD	1956	85	116	06.11-	■	
115 Multijet 2,0 D (250 A2.000)		Diesel	FWD	1956	85	116	06.11-	■	
120 Multijet 2,2 D		Diesel	FWD	2184	88	120	07.21-	■	
140 Multijet 2,2 D		Diesel	FWD	2184	103	140	07.21-	■	
160 Multijet 2,2 D		Diesel	FWD	2184	118	160	07.21-10.23	■	
180 Multijet 2,2 D		Diesel	FWD	2184	132	180	07.21-	■	
100 Multijet 2,2 D (4HV)		Diesel	FWD	2198	74	101	07.06-05.11	■	
120 Multijet 2,3 D (F1AE0481D)		Diesel	FWD	2287	88	120	07.06-	■	
120 Multijet 2,3 D (F1AGL4114)		Diesel	FWD	2287	88	120	07.06-	■	
130 Multijet 2,3 D (F1AE0481N)		Diesel	FWD	2287	96	131	08.06-	■	
130 Multijet 2,3 D (F1AE3481D)		Diesel	FWD	2287	96	131	08.06-	■	
130 Multijet 2,3 D (F1AGL411D)		Diesel	FWD	2287	96	131	08.06-	■	
150 Multijet 2,3 D (F1AE3481E)		Diesel	FWD	2287	109	148	06.11-	■	
150 Multijet 3,0 D (F1CE3481N)		Diesel	FWD	2999	107	146	04.10-07.14	■	
160 Multijet 3,0 D (F1CE0481D)		Diesel	FWD	2999	116	158	07.06-05.14	■	
180 Multijet 3,0 D (F1CE3481E)		Diesel	FWD	2999	130	177	06.11-	■	
DUCATO III (250_) 07.06-							Van (LCVs-N1 Segment)		
115 Multijet 2,0 D (250 A1.000)		Diesel	FWD	1956	85	116	06.11-	■	
115 Multijet 2,0 D (250 A2.000)		Diesel	FWD	1956	85	116	06.11-	■	
120 Multijet 2,2 D		Diesel	FWD	2184	88	120	07.21-	■	
140 Multijet 2,2 D		Diesel	FWD	2184	103	140	07.21-	■	
160 Multijet 2,2 D		Diesel	FWD	2184	118	160	07.21-10.23	■	
180 Multijet 2,2 D		Diesel	FWD	2184	132	180	07.21-	■	
100 Multijet 2,2 D (4HV)		Diesel	FWD	2198	74	101	07.06-05.11	■	
120 Multijet 2,3 D (F1AE0481D)		Diesel	FWD	2287	88	120	07.06-	■	
120 Multijet 2,3 D (F1AGL4114)		Diesel	FWD	2287	88	120	07.06-	■	
130 Multijet 2,3 D (F1AE0481N)		Diesel	FWD	2287	96	131	08.06-	■	
130 Multijet 2,3 D (F1AE3481D)		Diesel	FWD	2287	96	131	08.06-	■	
130 Multijet 2,3 D (F1AGL411D)		Diesel	FWD	2287	96	131	08.06-	■	
150 Multijet 2,3 D (F1AE3481E)		Diesel	FWD	2287	109	148	06.11-	■	
150 Multijet 3,0 D (F1CE3481N)		Diesel	FWD	2999	107	146	04.10-07.14	■	
160 Multijet 3,0 D (F1CE0481D)		Diesel	FWD	2999	116	158	07.06-05.11	■	
180 Multijet 3,0 D (F1CE3481E)		Diesel	FWD	2999	130	177	06.11-	■	
140 Natural Power (F1CE0441A)		CNG	FWD	2999	100	136	04.09-	■	
140 Natural Power (F1CFA401A)		CNG	FWD	2999	100	136	04.09-	■	

LISTA DE APLICACIONES - BUYERS GUIDE

PEUGEOT

BOXER II (230P) 03.94-12.09					Bus (Minibus-M2-Segment)			
2.0 (RFL (XU10J2U))		Gasolina	FWD	1998	81	110	12.01-06.06	■
2.0 BiFuel		Gasol./Gas (LPG)	FWD	1998	81	110	12.01-06.06	■
2.0 HDi (RHV (DW10TD))		Diesel	FWD	1997	62	84	12.01-06.06	■
2.0 HDi (RHV (DW10UTD))		Diesel	FWD	1997	62	84	12.01-06.06	■
2.2 HDi (4HY (DW12UTED))		Diesel	FWD	2179	74	101	12.01-06.06	■
2.8 D (8140.63 (F28D))		Diesel	FWD	2798	64	87	01.99-02.02	■
2.8 DTiC		Diesel	FWD	2798	90	122	10.97-09.00	■
2.8 HDi		Diesel	FWD	2798	90	122	03.02-08.05	■
2.8 HDi (8140.43S (F28DTCR))		Diesel	FWD	2798	94	128	12.01-06.06	■
2.8 HDi 4x4 (8140.43S (F28DTCR))		Diesel	4WD	2798	94	128	10.00-04.02	■
2.8 HDi 4x4 (8140.43S (F28DTCR))	Eq.V_ 1000-1400 kg.	Diesel	4WD	2798	94	128	12.01-06.06	■
BOXER II (ZCT_) 03.94-04.02					Platform/Chassis (LCVs-N1 Segment)			
2.0 BiFuel		Gasol./Gas (LPG)	FWD	1998	81	110	12.01-06.06	■
2.0 HDi (RHV (DW10TD))	Eq.V_ 1000-1400 kg.	Diesel	FWD	1997	62	84	12.01-06.06	■
2.0 HDi (RHV (DW10UTD))	Eq.V_ 1000-1400 kg.	Diesel	FWD	1997	62	84	12.01-06.06	■
2.2 HDi (4HY (DW12UTED))	Eq.V_ 1000-1400 kg.	Diesel	FWD	2179	74	101	12.01-06.06	■
2.8 D (8140.63 (F28D))		Diesel	FWD	2798	64	87	01.99-02.02	■
2.8 HDi (8140.43S (F28DTCR))	Eq.V_ 1000-1400 kg.	Diesel	FWD	2798	94	128	12.01-06.06	■
2.8 HDi 4x4 (8140.43S (F28DTCR))	Eq.V_ 1000-1400 kg.	Diesel	4WD	2798	94	128	12.01-06.06	■
2.8 HDi (8140.43N)	Eq.V_ 1000-1400 kg.	Diesel	FWD	2798	107	146	04.04-06.06	■
BOXER II (230L) 03.94-08.06					Van (LCVs-N1 Segment)			
2.0 (RFL (XU10J2U))	Eq.V_ 1000-1400 kg.	Gasolina	FWD	1998	81	110	12.01-06.06	■
2.0 BiFuel		Gasol./Gas (LPG)	FWD	1998	81	110	12.01-06.06	■
2.0 HDi (RHV (DW10UTD))	Eq.V_ 1000-1400 kg.	Diesel	FWD	1997	62	84	08.01-04.02	■
2.0 HDi (RHV (DW10TD))		Diesel	FWD	1997	62	84	04.02-06.06	■
2.0 HDi (RHV (DW10UTD))		Diesel	FWD	1997	62	84	04.02-06.06	■
2.2 HDi (4HY (DW12UTED))		Diesel	FWD	2179	74	101	12.01-06.06	■
2.3 HDi		Diesel	FWD	2287	93	126	02.07-	■
2.8 D (8140.63 (F28D))		Diesel	FWD	2798	64	87	01.99-02.02	■
2.8 DTiC		Diesel	FWD	2798	90	122	10.97-08.05	■
2.8 HDi		Diesel	FWD	2798	90	122	03.02-08.05	■
2.8 HDi (8140.43S (F28DTCR))		Diesel	FWD	2798	93	126	09.05-09.09	■
2.8 HDi (8140.43S (F28DTCR))	Eq.V_ 1000-1400 kg.	Diesel	FWD	2798	94	128	12.01-06.06	■
2.8 HDi 4x4 (8140.43S (F28DTCR))		Diesel	4WD	2798	94	128	10.00-04.02	■
2.8 HDi 4x4 (8140.43S (F28DTCR))	Eq.V_ 1000-1400 kg., Kg. 1800	Diesel	4WD	2798	94	128	12.01-06.06	■
2.8 HDi (8140.43N)	Eq.V_ 1000-1400 kg.	Diesel	FWD	2798	107	146	04.04-06.06	■
BOXER III / MANAGER 09.05-					Bus (Minibus-M2-Segment)			
2.0 BlueHdi 110 (AHM (DW10FUE))		Diesel	FWD	1997	81	110	07.15-09.19	■
2.0 BlueHdi 130 (AHN (DW10FUD))		Diesel	FWD	1997	96	130	07.15-09.19	■
2.0 BlueHdi 160 (AHP (DW10FUC))		Diesel	FWD	1997	120	163	07.15-09.19	■
2.2 HDi 100 (4HV (P22DTE))		Diesel	FWD	2198	74	101	04.06-	■
2.2 HDi 110 (4HG (P22DTE))		Diesel	FWD	2198	81	110	03.11-12.20	■
2.2 HDi 120 (4HU (P22DTE))		Diesel	FWD	2198	88	120	04.06-12.16	■
2.2 HDi 130 (4HH (P22DTE))		Diesel	FWD	2198	96	131	03.11-	■
2.2 HDi 150 (4HJ (P22DTE))	Eq.V_ 3000-3300 kg.	Diesel	FWD	2198	110	150	03.11-	■
3.0 HDi 145 (F1CE3481N (F30DTE))	Kg. 1400	Diesel	FWD	2999	107	146	04.10-12.13	■

LISTA DE APLICACIONES - BUYERS GUIDE

3.0 HDi 160 (F1CE0481D (F30DT))		Diesel	FWD	2999	115	156	04.06-12.15	■	
BOXER III / MANAGER 04.06-					Platform/Chassis (LCVs-N1 Segment)				
2.0 BlueHdi 110 (AHM (DW10FUE))		Diesel	FWD	1997	81	110	03.16-09.19	■	
2.0 BlueHdi 130 (AHN (DW10FUD))		Diesel	FWD	1997	96	130	03.16-09.19	■	
2.0 BlueHdi 160 (AHP (DW10FUC))		Diesel	FWD	1997	120	163	03.16-12.23	■	
2.2 HDi 100 (4HV (P22DTE))		Diesel	FWD	2198	74	101	04.06-	■	
2.2 HDi 110 (4HG (P22DTE))	Eq.V_ 3000-3500 kg.	Diesel	FWD	2198	81	110	03.11-12.20	■	
2.2 HDi 120 (4HU (P22DTE))		Diesel	FWD	2198	88	120	04.06-12.16	■	
2.2 HDi 130 (4HH (P22DTE))	Eq.V_ 3000-3300 kg.	Diesel	FWD	2198	96	131	04.06-	■	
2.2 HDi 150 (4HJ (P22DTE))	Eq.V_ 3000-3500 kg.	Diesel	FWD	2198	110	150	03.11-	■	
3.0 HDi 145 (F1CE3481N (F30DTE))	Kg. 1400	Diesel	FWD	2999	107	146	04.10-12.13	■	
3.0 HDi 155 (F1CE0481D (F30DT))		Diesel	FWD	2999	115	156	04.06-12.15	■	
3.0 HDi 160 (F1CE0481D (F30DT))		Diesel	FWD	2999	116	156	04.06-12.15	■	
3.0 HDi 175 (F1CE3481E (F30DTE))	Eq.V_ 3000-3300 kg.	Diesel	FWD	2999	130	177	03.11-	■	
BOXER III / MANAGER 04.06-					Van (LCVs-N1 Segment)				
2.0 BlueHdi 110 (AHM (DW10FUE))		Diesel	FWD	1997	81	110	03.16-09.19	■	
2.0 BlueHdi 130 (AHN (DW10FUD))		Diesel	FWD	1997	96	130	03.16-09.19	■	
2.0 BlueHdi 160 (AHP (DW10FUC))		Diesel	FWD	1997	120	163	03.16-12.23	■	
2.2 HDi 100 (4HV (P22DTE))		Diesel	FWD	2198	74	101	04.06-	■	
2.2 HDi 110 (4HG (P22DTE))	Kg. 3300	Diesel	FWD	2198	81	110	03.11-12.20	■	
2.2 HDi 120 (4HU (P22DTE))		Diesel	FWD	2198	88	120	04.06-12.16	■	
2.2 HDi 130 (4HH (P22DTE))	Eq.V_ 3000-3300 kg.	Diesel	FWD	2198	96	131	03.11-	■	
2.2 HDi 150 (4HJ (P22DTE))	Kg. 3500	Diesel	FWD	2198	110	150	03.11-	■	
3.0 HDi 145 (F1CE3481N (F30DTE))	Kg. 1400	Diesel	FWD	2999	107	146	04.10-12.13	■	
3.0 HDi 155 (F1CE0481D (F30DT))		Diesel	FWD	2999	115	156	07.06-12.15	■	
3.0 HDi 160 (F1CE0481D (F30DT))		Diesel	FWD	2999	116	156	04.06-12.15	■	
3.0 HDi 175 (F1CE3481E (F30DTE))	Kg. 3300	Diesel	FWD	2999	130	177	03.11-	■	