

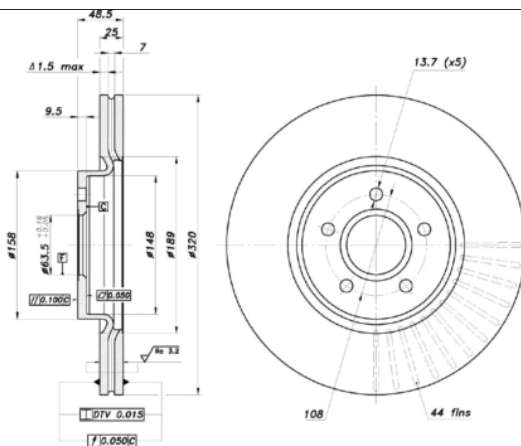
# LISTA DE APLICACIONES - BUYERS GUIDE

## 78BD3959-2



Weight: 9.610

O.E.M.	MAKE
1724956	FORD
1746793	FORD
1770767	FORD
1829608	FORD
1844117	FORD
31341644	VOLVO
31381376	VOLVO
31400818	VOLVO
31400938	VOLVO
3M512C375CC	FORD
3M512C375CD	FORD
3M512C375CE	FORD
6154210	KAROSA
6156110	KAROSA
9M512C375AA	FORD
BRRF97	FORD
CV611125FA	FORD
CV611125GA	FORD
CV6Z1125D	LINCOLN
DV611125FA	FORD
KU2Z1V125B	FORD



## 78BD3959-2



Ø320x25x48.5

MAKE
FORD
FORD AUSTRALIA
FORD USA
LINCOLN
VOLVO



Trac.	CC	Kw	CV						
									Front / Rear

### FORD

<b>FOCUS II (DA_, HCP, DP) 07.04-09.13</b>							<b>Hatchback (Compact car-C Segment)</b>			
2.5 ST (HYDA)		Gasolina	FWD	2522	166	225	10.05-09.12	■		
<b>FOCUS III (C346) 07.10-</b>							<b>Hatchback (Compact car-C Segment)</b>			
2.0 ST (R9DA)	Performance brakes	Gasolina	FWD	1999	184	250	07.12-12.17	■		
2.0 ST (R9DB)	Performance brakes	Gasolina	FWD	1999	184	250	07.12-12.17	■		
2.0 ST (R9DC)	Performance brakes	Gasolina	FWD	1999	184	250	07.12-12.17	■		
2.0 ST (R9DD)	Performance brakes	Gasolina	FWD	1999	184	250	07.12-12.17	■		
2.0 ST	not Performance brak	Gasolina	FWD	1999	188	256	09.12-	■		
2.0 TDCi	not Performance brak	Diesel	RWD	1997	132	180	07.14-	■		
2.0 TDCi ST (T8DA)	not Performance brak	Diesel	FWD	1997	136	185	11.14-12.17	■		
<b>FOCUS III (C346) 07.10-</b>							<b>Saloon (Compact car-C Segment)</b>			
2.0 TDCi	not Performance brak	Diesel	RWD	1997	132	180	07.14-	■		
<b>FOCUS III Turnier (C346) 07.10-</b>							<b>Estate (Compact car-C Segment)</b>			
2.0 ST (R9DA)	not Performance brak	Gasolina	FWD	1999	184	250	07.12-02.20	■		
2.0 ST (R9DB)	not Performance brak	Gasolina	FWD	1999	184	250	07.12-02.20	■		
2.0 ST (R9DC)	not Performance brak	Gasolina	FWD	1999	184	250	07.12-02.20	■		
2.0 ST (R9DD)	not Performance brak	Gasolina	FWD	1999	184	250	07.12-02.20	■		
2.0 TDCi ST (T8DA)	not Performance brak	Diesel	FWD	1997	136	185	11.14-02.20	■		
<b>KUGA II / ESCAPE III 05.12-</b>							<b>SUV Van (Compact SUV-J Segment)</b>			
1.5 EcoBoost (BNMA)	increased payload	Gasolina	FWD	1499	88	120	06.19-12.19	■		
1.5 EcoBoost (M8MA)	increased payload	Gasolina	FWD	1499	110	150	09.14-12.19	■		
1.5 EcoBoost 4x4		Gasolina	4WD	1499	129	176	06.19-12.19	■		

# LISTA DE APLICACIONES - BUYERS GUIDE

1.5 EcoBoost 4x4 (M9MA)		Gasolina	4WD	1499	134	182	09.14-12.19	■	
1.5 TDCi (XWMB)	increased payload	Diesel	FWD	1499	88	120	01.19-12.19	■	
1.5 TDCi (XWMC)	increased payload	Diesel	FWD	1499	88	120	01.19-12.19	■	
2.0 TDCi (XRMA)	increased payload	Diesel	FWD	1997	88	120	09.14-12.19	■	
2.0 TDCi (XRMB)	increased payload	Diesel	FWD	1997	88	120	09.14-12.19	■	
2.0 TDCi	increased payload	Diesel	FWD	1997	103	140	06.12-12.19	■	
2.0 TDCi (T7MA)	increased payload	Diesel	FWD	1997	110	150	09.14-12.19	■	
2.0 TDCi (T7MB)	increased payload	Diesel	FWD	1997	110	150	09.14-12.19	■	
2.0 TDCi 4x4 (T7MA)		Diesel	4WD	1997	110	150	09.14-12.19	■	
2.0 TDCi 4x4 (T7MB)		Diesel	4WD	1997	110	150	09.14-12.19	■	
2.0 TDCi 4x4 (T8MA)		Diesel	4WD	1998	132	180	09.14-12.19	■	
2.0 TDCi 4x4 (T8MB)		Diesel	4WD	1998	132	180	09.14-12.19	■	
<b>KUGA II / ESCAPE III (DM2) 05.12-</b>					<b>SUV (Compact SUV-J Segment)</b>				
1.5 EcoBoost (BNMA)	increased payload	Gasolina	FWD	1499	88	120	01.16-06.19	■	
1.5 EcoBoost (M8MA)	increased payload	Gasolina	FWD	1499	110	150	09.14-06.19	■	
1.5 EcoBoost 4x4 (M8MA)		Gasolina	4WD	1499	110	150	07.16-12.19	■	
1.5 EcoBoost 4x4		Gasolina	4WD	1499	129	176	08.18-06.19	■	
1.5 EcoBoost	increased payload	Gasolina	FWD	1499	132	180	10.15-	■	
1.5 EcoBoost 4x4		Gasolina	4WD	1499	132	180	10.15-12.19	■	
1.5 EcoBoost (M9MA)	increased payload	Gasolina	FWD	1499	134	182	06.16-	■	
1.5 EcoBoost 4x4 (M9MA)		Gasolina	4WD	1499	134	182	09.14-06.18	■	
1.6 EcoBoost (JQMA)	increased payload	Gasolina	FWD	1596	110	150	03.13-09.14	■	
1.6 EcoBoost (JQMB)	increased payload	Gasolina	FWD	1596	110	150	03.13-09.14	■	
1.6 EcoBoost 4x4 (JQMA)		Gasolina	4WD	1596	110	150	03.13-09.14	■	
1.6 EcoBoost 4x4 (JQMB)		Gasolina	4WD	1596	110	150	03.13-09.14	■	
1.6 EcoBoost	increased payload	Gasolina	FWD	1596	130	177	01.13-	■	
1.6 EcoBoost 4x4 (JTMA)		Gasolina	4WD	1596	132	179	10.12-12.19	■	
1.6 EcoBoost 4x4 (JTMA)		Gasolina	4WD	1596	134	182	03.13-09.14	■	
1.6	increased payload	Gasolina	FWD	1601	133	181	03.13-	■	
1.6		Gasolina	FWD	1601	133	181	03.13-	■	
2.0 EcoBoost 4x4		Gasolina	4WD	1999	169	230	03.19-12.19	■	
2.0 4x4	increased payload	Gasolina	4WD	1999	177	240	05.13-05.17	■	
2.0 EcoBoost (R9MA)	increased payload	Gasolina	FWD	1999	178	242	08.17-	■	
2.0 EcoBoost 4x4 (R9MA)		Gasolina	4WD	1999	178	242	08.17-06.18	■	
2.0	increased payload	Gasolina	FWD	1999	179	243	03.13-06.16	■	
2.0 4x4		Gasolina	4WD	1999	179	243	03.13-06.16	■	
2.0 4x4		Gasolina	4WD	1999	180	245	08.17-	■	
2.0	increased payload	Gasolina	FWD	1999	183	249	06.16-	■	
2.0		Gasolina	FWD	1999	183	249	06.16-	■	
2.5	increased payload	Gasolina	FWD	2488	110	150	01.14-12.19	■	
2.5	increased payload	Gasolina	FWD	2488	125	170	09.13-	■	
2.5 4x4 (C25HDEX)		Gasolina	4WD	2488	125	170	09.14-	■	
2.5		Gasolina	FWD	2488	127	173	11.14-	■	
1.5 EcoBoost E85	increased payload	Etanol	FWD	1499	110	150	02.19-11.19	■	
1.5 TDCi (XWMB)	increased payload	Diesel	FWD	1499	88	120	07.16-06.19	■	
1.5 TDCi (XWMC)	increased payload	Diesel	FWD	1499	88	120	07.16-06.19	■	
2.0 TDCi (TYMA)	increased payload	Diesel	FWD	1997	85	115	03.13-12.19	■	
2.0 TDCi (XRMA)	increased payload	Diesel	FWD	1997	88	120	09.14-06.19	■	
2.0 TDCi (XRMB)	increased payload	Diesel	FWD	1997	88	120	09.14-06.19	■	
2.0 TDCi (UKMA)	increased payload	Diesel	FWD	1997	100	136	03.13-12.19	■	
2.0 TDCi 4x4 (UKMA)		Diesel	4WD	1997	100	136	03.13-12.19	■	

# LISTA DE APLICACIONES - BUYERS GUIDE

2.0 TDCi (UFMA)	increased payload	Diesel	FWD	1997	103	140	03.13-09.14	■	
2.0 TDCi 4x4 (UFMA)		Diesel	4WD	1997	103	140	03.13-09.14	■	
2.0 TDCi (T7MA)	increased payload	Diesel	FWD	1997	110	150	09.14-06.19	■	
2.0 TDCi (T7MB)	increased payload	Diesel	FWD	1997	110	150	09.14-06.19	■	
2.0 TDCi (T7MC)	increased payload	Diesel	FWD	1997	110	150	09.14-06.19	■	
2.0 TDCi (T7MD)	increased payload	Diesel	FWD	1997	110	150	09.14-06.19	■	
2.0 TDCi 4x4 (T7MA)		Diesel	4WD	1997	110	150	09.14-06.19	■	
2.0 TDCi 4x4 (T7MB)		Diesel	4WD	1997	110	150	09.14-06.19	■	
2.0 TDCi 4x4 (TXDA)	increased payload	Diesel	4WD	1997	120	163	03.13-09.14	■	
2.0 TDCi 4x4 (TXMA)	increased payload	Diesel	4WD	1997	120	163	03.13-09.14	■	
2.0 TDCi 4x4 (T8MA)		Diesel	4WD	1997	132	180	09.14-06.19	■	
2.0 TDCi 4x4 (T8MB)		Diesel	4WD	1997	132	180	09.14-06.19	■	
<b>TOURNEO CONNECT II / GRAND TOURNEO CONNECT V408 09.13-</b>					<b>MPV (Large MPV-M1 Segment)</b>				
1.0 EcoBoost (B3GA)	increased payload	Gasolina	FWD	998	74	100	11.13-12.22	■	
1.0 EcoBoost (M2GA)	increased payload	Gasolina	FWD	998	74	100	11.13-12.22	■	
1.0 EcoBoost (M2GB)	increased payload	Gasolina	FWD	998	74	100	11.13-12.22	■	
1.6 EcoBoost (JQGA)	increased payload	Gasolina	FWD	1596	110	150	11.13-12.22	■	
1.5 TDCi (XUGA)	increased payload	Diesel	FWD	1499	55	75	05.15-12.22	■	
1.5 TDCi	increased payload	Diesel	FWD	1499	70	95	08.16-12.22	■	
1.5 TDCi (XVGA)	increased payload	Diesel	FWD	1499	74	101	05.15-12.22	■	
1.5 TDCi (XVGB)	increased payload	Diesel	FWD	1499	74	101	05.15-12.22	■	
1.5 TDCi (XVGC)	increased payload	Diesel	FWD	1499	74	101	05.15-12.22	■	
1.5 TDCi (XXGA)	increased payload	Diesel	FWD	1499	74	101	05.15-12.22	■	
1.5 TDCi (XWGA)	increased payload	Diesel	FWD	1499	88	120	05.15-12.22	■	
1.5 TDCi (XWGB)	increased payload	Diesel	FWD	1499	88	120	05.15-12.22	■	
1.5 TDCi (XWGC)	increased payload	Diesel	FWD	1499	88	120	05.15-12.22	■	
1.6 TDCi (UBGA)	increased payload	Diesel	FWD	1560	55	75	09.13-12.22	■	
1.6 TDCi (TZGA)	increased payload	Diesel	FWD	1560	70	95	09.13-12.22	■	
1.6 TDCi (TZGB)	increased payload	Diesel	FWD	1560	70	95	09.13-12.22	■	
1.6 TDCi (T1GA)	increased payload	Diesel	FWD	1560	85	115	09.13-12.22	■	
<b>TRANSIT CONNECT II 09.13-</b>					<b>MPV (Large MPV-M1 Segment)</b>				
Wagon 1.6 EcoBoost	increased payload	Gasolina	FWD	1596	133	181	09.13-	■	
2.5 Duratec	increased payload	Gasolina	FWD	2488	126	171	09.13-	■	
2.5 LPG	increased payload	Gasol./Gas (LPG)	FWD	2488	126	171	09.13-	■	
2.5 CNG	increased payload	Gasol./Gas (CNG)	FWD	2488	126	171	09.13-	■	
1.5 TDCi (XUGA)	increased payload	Diesel	FWD	1499	55	75	08.15-	■	
1.5 TDCi (XVGA)	increased payload	Diesel	FWD	1499	74	101	05.15-	■	
1.5 TDCi (XVGB)	increased payload	Diesel	FWD	1499	74	101	05.15-	■	
1.5 TDCi (XVGC)	increased payload	Diesel	FWD	1499	74	101	05.15-	■	
1.5 TDCi (XXGA)	increased payload	Diesel	FWD	1499	74	101	05.15-	■	
1.5 TDCi (XWGA)	increased payload	Diesel	FWD	1499	88	120	05.15-	■	
1.5 TDCi (XWGB)	increased payload	Diesel	FWD	1499	88	120	05.15-	■	
1.5 TDCi (XWGC)	increased payload	Diesel	FWD	1499	88	120	05.15-	■	
1.6 TDCi (UBGA)	increased payload	Diesel	FWD	1560	55	75	09.13-	■	
1.6 TDCi (TZGA)	increased payload	Diesel	FWD	1560	70	95	09.13-	■	
1.6 TDCi (TZGB)	increased payload	Diesel	FWD	1560	70	95	09.13-	■	
1.6 TDCi (T1GA)	increased payload	Diesel	FWD	1560	85	115	09.13-	■	
<b>TRANSIT CONNECT II V408 09.13-</b>					<b>Box Body/MPV (LCVs-N1 Segment)</b>				
1.0 EcoBoost (B3GA)	increased payload	Gasolina	FWD	998	74	100	09.13-	■	

# LISTA DE APLICACIONES - BUYERS GUIDE

1.0 EcoBoost (M2GA)	increased payload	Gasolina	FWD	998	74	100	09.13-	■
1.0 EcoBoost (M2GB)	increased payload	Gasolina	FWD	998	74	100	09.13-	■
1.6 EcoBoost (JQGA)	increased payload	Gasolina	FWD	1596	110	150	11.13-	■
1.6 EcoBoost (JQGA)	increased payload	Gasolina	FWD	1596	133	181	09.13-	■
2.5 Duratec	increased payload	Gasolina	FWD	2488	126	171	09.13-	■
2.5 LPG	increased payload	Gasol./Gas (LPG)	FWD	2488	126	171	09.13-12.23	■
2.5 CNG	increased payload	Gasol./Gas (CNG)	FWD	2488	126	171	09.13-12.23	■
1.5 TDCi (XUGA)	increased payload	Diesel	FWD	1499	55	75	08.15-	■
1.5 TDCi	Long Wheelbase, increased payload, steel rims, Syst. 16"	Diesel	FWD	1499	70	95	03.16-	■
1.5 EcoBlue (Z2GA)	increased payload	Diesel	FWD	1499	74	101	05.18-	■
1.5 TDCi (XVGA)	increased payload	Diesel	FWD	1499	74	101	05.15-	■
1.5 TDCi (XVGB)	increased payload	Diesel	FWD	1499	74	101	05.15-	■
1.5 TDCi (XVGC)	increased payload	Diesel	FWD	1499	74	101	05.15-	■
1.5 TDCi (XXGA)	increased payload	Diesel	FWD	1499	74	101	05.15-	■
1.5 TDCi (XWGA)	increased payload	Diesel	FWD	1499	88	120	05.15-	■
1.5 TDCi (XWGB)	increased payload	Diesel	FWD	1499	88	120	05.15-	■
1.5 TDCi (XWGC)	increased payload	Diesel	FWD	1499	88	120	05.15-	■
1.6 TDCi (UBGA)	increased payload	Diesel	FWD	1560	55	75	09.13-	■
1.6 TDCi (TZGA)	increased payload	Diesel	FWD	1560	70	95	09.13-	■
1.6 TDCi (TZGB)	increased payload	Diesel	FWD	1560	70	95	09.13-	■
1.6 TDCi (T1GA)	increased payload	Diesel	FWD	1560	85	115	09.13-	■
<b>FORD AUSTRALIA</b>								
<b>ESCAPE III (ZG) 09.16-</b>						<b>SUV (Compact SUV-J Segment)</b>		
1.5 EcoBoost AWD (M9MA)		Gasolina	4WD	1499	134	182	09.16-03.20	■
2.0 AWD (TPWA)		Gasolina	4WD	1999	178	242	09.16-03.20	■
2.0 TDCi AWD (T8MA,T8MB)		Diesel	4WD	1998	132	180	09.16-03.20	■
<b>FOCUS (LW) 08.11-</b>						<b>Hatchback (Compact car-C Segment)</b>		
2.0		Gasolina	FWD	1998	184	250	08.12-	■
2.0 ST (R9DA)	not Performance brak	Gasolina	FWD	1999	184	250	05.15-	■
<b>KUGA (TE) 01.11-11.14</b>						<b>Hatchback (Compact SUV-J Segment)</b>		
2.0 D		Diesel	RWD	1998	120	163	04.13-	■
<b>KUGA II (TF) 04.13-08.16</b>						<b>Hatchback (Compact SUV-J Segment)</b>		
1.5 EcoBoost		Gasolina	FWD	1499	134	182	09.15-	■
2.0 EcoBoost		Gasolina	FWD	1999	178	242	11.14-	■
2.0 TDCi		Diesel	RWD	1998	132	180	11.14-	■
<b>FORD USA</b>								
<b>ESCAPE II (U.S.A.) 08.07-12.12</b>						<b>SUV (Compact SUV-J Segment)</b>		
2.0 TDCi	increased payload	Diesel	FWD	1997	112	152	11.15-	■
<b>LINCOLN</b>								
<b>MKC 03.14-</b>						<b>SUV (Compact SUV-J Segment)</b>		
2.0		Gasolina	FWD	1999	149	203	10.14-	■
<b>VOLVO</b>								
<b>V40 (526) 09.13-12.15</b>						<b>Hatchback Van (Compact executive car-D Segment)</b>		
1.6 D2/ DRiVe	Syst. 17",16,5"	Diesel	FWD	1560	84	114	09.13-12.15	■
2.0 D3	Syst. 17", 16,5"	Diesel	FWD	1984	110	150	09.13-12.15	■
2.0 D4	Syst. 17", 16,5"	Diesel	FWD	1984	130	177	09.13-12.14	■

# LISTA DE APLICACIONES - BUYERS GUIDE

<b>V40 (526) 10.12-08.19</b>					<b>Hatchback (Compact executive car-D Segment)</b>			
T3	Syst. 16,5"	Gasolina	FWD	1498	112	152	04.15-08.19	■
T4 GTDi	Syst. 17"	Gasolina	FWD	1596	132	180	10.12-12.16	■
T3	Syst. 16,5"	Gasolina	FWD	1969	112	152	02.15-08.19	■
T4	Syst. 16,5"	Gasolina	FWD	1969	140	190	08.15-08.19	■
T4 AWD (B 4204 T21)	Syst. 16,5"	Gasolina	4WD	1969	140	190	05.14-08.19	■
T5 AWD (B 4204 T11)	Syst. 16,5"	Gasolina	4WD	1969	180	245	05.14-08.19	■
T5 AWD (B 4204 T41)	Syst. 16,5"	Gasolina	4WD	1969	180	245	05.14-08.19	■
T5 DRIVe (B 4204 T11)	Syst. 16"	Gasolina	FWD	1969	180	245	05.14-08.19	■
T5 Polestar AWD (B 4204 T11)	Syst. 16,5"	Gasolina	4WD	1969	186	253	01.15-08.19	■
T4	Syst. 17"	Gasolina	FWD	1984	132	180	10.13-12.15	■
T4 AWD (B 5204 T8)	Syst. 16,5"	Gasolina	4WD	1984	132	180	07.13-12.15	■
T5	Syst. 17"	Gasolina	FWD	1984	157	214	02.13-12.15	■
T5 AWD (B 5204 T9)	Syst. 16,5"	Gasolina	4WD	1984	157	214	03.13-12.15	■
T5	Syst. 17"	Gasolina	FWD	2497	183	249	01.14-12.15	■
T5 AWD	Syst. 16,5"	Gasolina	4WD	2497	183	249	01.14-12.15	■
T5	Syst. 17"	Gasolina	FWD	2497	187	254	10.12-12.16	■
T5 AWD (B 5254 T12)	Syst. 16,5"	Gasolina	4WD	2497	187	254	10.12-12.16	■
D2	Syst. 16,5"	Diesel	FWD	1969	88	120	02.15-08.19	■
D3	Syst. 16,5"	Diesel	FWD	1969	110	150	04.15-08.19	■
D4	Syst. 16,5"	Diesel	FWD	1969	140	190	05.14-08.19	■
D4 Polestar	Syst. 16,5"	Diesel	FWD	1969	147	200	05.14-08.19	■
D3	Syst. 17"	Diesel	FWD	1984	110	150	10.12-03.15	■
D4	Syst. 17"	Diesel	FWD	1984	130	177	10.12-12.14	■
<b>V40 II (525) 09.13-12.15</b>					<b>Hatchback Van (Compact executive car-D Segment)</b>			
1.6 D2/ DRIVe (D 4162 T)	Syst. 16,5"	Diesel	FWD	1560	84	114	09.13-12.15	■
2.0 D3 (D 5204 T6)	Syst. 16,5"	Diesel	FWD	1984	110	150	09.13-12.15	■
2.0 D4 (D 5204 T4)	Syst. 16,5"	Diesel	FWD	1984	130	177	09.13-12.14	■
<b>V40 II (525) 03.12-</b>					<b>Hatchback (Compact executive car-D Segment)</b>			
T2 (B 4154 T3)	Syst. 16,5"	Gasolina	FWD	1498	90	122	02.15-08.19	■
T2 (B 4154 T5)	Syst. 16,5"	Gasolina	FWD	1498	90	122	02.15-08.19	■
T3 (B 4154 T2)	Syst. 16,5"	Gasolina	FWD	1498	112	152	02.15-08.19	■
T3 (B 4154 T4)	Syst. 16,5"	Gasolina	FWD	1498	112	152	02.15-08.19	■
T2 GTDi (B 4164 T4)	Syst. 16,5"	Gasolina	FWD	1596	88	120	04.13-12.16	■
T3 GTDi (B 4164 T3)	Syst. 16,5"	Gasolina	FWD	1596	110	150	03.12-12.16	■
T4 GTDi (B 4164 T)	Syst. 16,5"	Gasolina	FWD	1596	132	180	03.12-12.16	■
T4 (B 4164 T)	Syst. 16,5"	Gasolina	FWD	1596	147	200	04.14-12.15	■
T2 (B 4204 T17)	Syst. 16,5"	Gasolina	FWD	1969	90	122	02.15-08.19	■
T2 (B 4204 T38)	Syst. 16,5"	Gasolina	FWD	1969	90	122	02.15-08.19	■
T3 (B 4204 T33)	Syst. 16,5"	Gasolina	FWD	1969	112	152	02.15-08.19	■
T3 (B 4204 T37)	Syst. 16,5"	Gasolina	FWD	1969	112	152	02.15-08.19	■
T4 (B 4204 T19)	Syst. 16,5"	Gasolina	FWD	1969	140	190	08.15-08.19	■
T5 (B 4204 T11)	Syst. 16,5"	Gasolina	FWD	1969	180	245	05.14-08.19	■
T5 (B 4204 T41)	Syst. 16,5"	Gasolina	FWD	1969	180	245	05.14-08.19	■
T5 Drive-E Polestar (B 4204 T11)	Syst. 16,5"	Gasolina	FWD	1969	186	253	05.14-08.19	■
T4 (B 5204 T8)	Syst. 16,5"	Gasolina	FWD	1984	132	180	07.13-12.15	■
T5	Syst. 16,5"	Gasolina	FWD	1984	154	210	03.14-	■
T5 (B 5204 T9)	Syst. 16,5"	Gasolina	FWD	1984	154	210	01.15-	■
T5 (B 5204 T9)	Syst. 16,5"	Gasolina	FWD	1984	157	214	03.13-12.15	■
T5 (B 5254 T14)	Syst. 16,5"	Gasolina	FWD	2497	183	249	01.14-12.14	■

## LISTA DE APLICACIONES - BUYERS GUIDE

T5 (B 5254 T12)	Syst. 16,5"	Gasolina	FWD	2497	187	254	12.12-12.14	■
D2 (D 4162 T)	Syst. 16,5"	Diesel	FWD	1560	84	114	03.12-12.16	■
D2 (D 4204 T13)	Syst. 16,5"	Diesel	FWD	1969	88	120	02.15-08.19	■
D2 (D 4204 T8)	Syst. 16,5"	Diesel	FWD	1969	88	120	02.15-08.19	■
D3 (D 4204 T16)	Syst. 16,5"	Diesel	FWD	1969	110	150	04.15-08.19	■
D3 (D 4204 T9)	Syst. 16,5"	Diesel	FWD	1969	110	150	04.15-08.19	■
D4 (D 4204 T14)	Syst. 16,5"	Diesel	FWD	1969	140	190	05.14-08.19	■
D4 Polestar (D 4204 T14)	Syst. 16,5"	Diesel	FWD	1969	147	200	05.14-08.19	■
D3 (D 5204 T6)	Syst. 16,5"	Diesel	FWD	1984	110	150	03.12-03.15	■
D4 (D 5204 T4)	Syst. 16,5"	Diesel	FWD	1984	130	177	03.12-12.14	■