

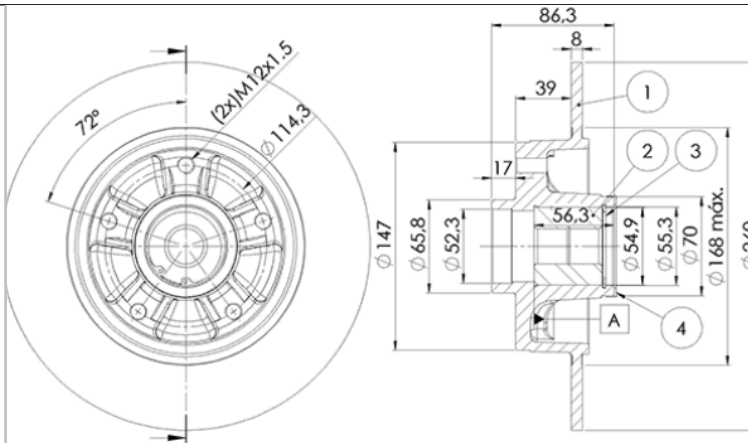
# LISTA DE APLICACIONES - BUYERS GUIDE

## 78BD4023-1



Weight: 6.404

| O.E.M.        | MAKE    |
|---------------|---------|
| 43 20 015 39R | RENAULT |
| 43 20 075 95R | RENAULT |



## 78BD4023-1

E1 90R-02C0559/0132



Ø260x8x86.1

| MAKE    |
|---------|
| RENAULT |



| Trac. | CC | Kw | CV |
|-------|----|----|----|
|-------|----|----|----|



Front / Rear

### RENAULT

#### FLUENCE / SYMBOL (L3\_) 02.10-

#### Saloon (Luxury car-F Segment)

|  |                  |     |      |     |     |             |   |
|--|------------------|-----|------|-----|-----|-------------|---|
| 1.6 16V (K4M 838)                            | Gasolina         | FWD | 1598 | 78  | 106 | 02.10-      | ■ |
| 1.6 (L33T, L33J, L304, L305, L30H) (H4M 729) | Gasolina         | FWD | 1598 | 86  | 117 | 01.13-      | ■ |
| 2.0 16V                                      | Gasolina         | FWD | 1997 | 101 | 137 | 05.11-      | ■ |
| 2.0 (M4R 714)                                | Gasolina         | FWD | 1997 | 105 | 143 | 05.14-      | ■ |
| 2.0 (M4R 751)                                | Gasolina         | FWD | 1997 | 105 | 143 | 05.14-      | ■ |
| 1.6 LPG 16V (K4M 839)                        | Gasol./Gas (LPG) | FWD | 1598 | 81  | 110 | 01.12-      | ■ |
| 1.6 Flex (L300)                              | Gasol./Etanol    | FWD | 1598 | 85  | 115 | 01.12-11.14 | ■ |
| 1.5 dCi (K9K 826)                            | Diesel           | FWD | 1461 | 70  | 95  | 07.14-      | ■ |

#### MEGANE III (DZ0/1\_) 11.08-

#### Coupe (Compact car-C Segment)

|                                      |          |     |      |     |     |             |   |
|--------------------------------------|----------|-----|------|-----|-----|-------------|---|
| 1.2 TCe (DZ16, DZ28) (H5F 404)       | Gasolina | FWD | 1197 | 97  | 132 | 01.13-08.15 | ■ |
| 1.2 TCe (DZ16, DZ28) (H5F 405)       | Gasolina | FWD | 1197 | 97  | 132 | 01.13-08.15 | ■ |
| 1.2 TCe (DZ16, DZ28) (H5F 412)       | Gasolina | FWD | 1197 | 97  | 132 | 01.13-08.15 | ■ |
| 1.2 TCe (DZ2B, DZ11) (H5F 400)       | Gasolina | FWD | 1198 | 85  | 116 | 03.12-08.15 | ■ |
| 1.2 TCe (DZ2B, DZ11) (H5F 408)       | Gasolina | FWD | 1198 | 85  | 116 | 03.12-08.15 | ■ |
| 1.4 TCe (DZ0F, DZ1V) (H4J 700)       | Gasolina | FWD | 1397 | 96  | 131 | 04.09-08.15 | ■ |
| 1.6 16V (DZ0H) (K4M 848)             | Gasolina | FWD | 1598 | 74  | 101 | 11.08-08.15 | ■ |
| 1.6 16V (DZ0U, DZ1B, DZ1H) (K4M 858) | Gasolina | FWD | 1598 | 81  | 110 | 11.08-08.15 | ■ |
| 2.0 CVT (DZ0G, DZ1E) (M4R 711)       | Gasolina | FWD | 1997 | 103 | 140 | 05.09-08.15 | ■ |
| 2.0 TCe (DZ0K) (F4R 870)             | Gasolina | FWD | 1998 | 132 | 180 | 11.08-08.15 | ■ |
| 2.0 TCe (DZ1N) (F4R 874)             | Gasolina | FWD | 1998 | 184 | 250 | 05.09-08.15 | ■ |
| 2.0 R.S. (F4R 874)                   | Gasolina | FWD | 1998 | 195 | 265 | 11.08-09.16 | ■ |

# LISTA DE APLICACIONES - BUYERS GUIDE

|  |                  |     |      |     |     |  |   |
|--|------------------|-----|------|-----|-----|--|---|
| 1.6 16V Bifuel (DZ03, DZ1Y) (K4M 866)                  | Gasol./Gas (LPG) | FWD | 1598 | 81  | 110 | 11.08-08.15                              | ■ |
| 1.5 dCi (DZ0A) (K9K 830)                               | Diesel           | FWD | 1461 | 63  | 86  | 11.08-08.15                              | ■ |
| 1.5 dCi (DZ0C, DZ1A) (K9K 834)                         | Diesel           | FWD | 1461 | 66  | 90  | 11.08-08.15                              | ■ |
| 1.5 dCi (K9K 846)                                      | Diesel           | FWD | 1461 | 70  | 95  | 07.14-08.15                              | ■ |
| 1.5 dCi (DZ0B) (K9K 832)                               | Diesel           | FWD | 1461 | 78  | 106 | 02.09-08.15                              | ■ |
| 1.5 dCi (DZ09, DZ0D, DZ1F, DZ1G, DZ14, DZ29) (K9K 636) | Diesel           | FWD | 1461 | 81  | 110 | 02.09-08.15                              | ■ |
| 1.5 dCi (DZ09, DZ0D, DZ1F, DZ1G, DZ14, DZ29) (K9K 836) | Diesel           | FWD | 1461 | 81  | 110 | 02.09-08.15                              | ■ |
| 1.5 dCi (DZ09, DZ0D, DZ1F, DZ1G, DZ14, DZ29) (K9K 837) | Diesel           | FWD | 1461 | 81  | 110 | 02.09-08.15                              | ■ |
| 1.5 dCi (DZ09, DZ0D, DZ1F, DZ1G, DZ14, DZ29) (K9K 846) | Diesel           | FWD | 1461 | 81  | 110 | 02.09-08.15                              | ■ |
| 1.6 dCi (DZ00, DZ12, DZ2A, DZ13) (R9M 402)             | Diesel           | FWD | 1598 | 96  | 130 | 04.11-08.15                              | ■ |
| 1.9 dCi (DZ0N, DZ0J, DZ1J, DZ1K) (F9Q 870)             | Diesel           | FWD | 1870 | 96  | 131 | 11.08-08.15                              | ■ |
| 1.9 dCi (DZ0N, DZ0J, DZ1J, DZ1K) (F9Q 872)             | Diesel           | FWD | 1870 | 96  | 131 | 11.08-08.15                              | ■ |
| 2.0 dCi (DZ0Y) (M9R 615)                               | Diesel           | FWD | 1995 | 110 | 150 | 04.09-08.15                              | ■ |
| 2.0 dCi (DZ0L) (M9R 610)                               | Diesel           | FWD | 1995 | 118 | 160 | 04.09-08.15                              | ■ |
| <b>MEGANE III (BZ0/1_, B3_) 11.08-</b>                 |                  |     |      |     |     | <b>Hatchback (Compact car-C Segment)</b> |   |
| 1.2 TCe (BZ16, BZ28) (H5F 404)                         | Gasolina         | FWD | 1197 | 97  | 132 | 01.13-01.16                              | ■ |
| 1.2 TCe (BZ16, BZ28) (H5F 405)                         | Gasolina         | FWD | 1197 | 97  | 132 | 01.13-01.16                              | ■ |
| 1.2 TCe (BZ16, BZ28) (H5F 412)                         | Gasolina         | FWD | 1197 | 97  | 132 | 01.13-01.16                              | ■ |
| 1.2 TCe (BZ2B, BZ11) (H5F 400)                         | Gasolina         | FWD | 1198 | 85  | 116 | 03.12-08.15                              | ■ |
| 1.2 TCe (BZ2B, BZ11) (H5F 408)                         | Gasolina         | FWD | 1198 | 85  | 116 | 03.12-08.15                              | ■ |
| 1.4 TCe (BZ0F, BZ1V) (H4J 700)                         | Gasolina         | FWD | 1397 | 96  | 131 | 04.09-08.15                              | ■ |
| 1.6 16V (BZ0H) (K4M 848)                               | Gasolina         | FWD | 1598 | 74  | 101 | 11.08-08.15                              | ■ |
| 1.6 16V (BZ0H, BZ1R) (K4M 848)                         | Gasolina         | FWD | 1598 | 78  | 106 | 01.10-08.15                              | ■ |
| 1.6 16V (BZ1B, BZ1H) (K4M 858)                         | Gasolina         | FWD | 1598 | 81  | 110 | 11.08-03.17                              | ■ |
| 1.6 16V (K4M 858)                                      | Gasolina         | FWD | 1598 | 82  | 111 | 11.08-01.16                              | ■ |
| 1.6 16V (K4M 866)                                      | Gasolina         | FWD | 1598 | 82  | 111 | 11.08-01.16                              | ■ |
| 1.6 16V (K4M 848)                                      | Gasolina         | FWD | 1598 | 85  | 116 | 01.13-08.15                              | ■ |
| 1.6 16V (K4M 858)                                      | Gasolina         | FWD | 1598 | 85  | 116 | 01.13-08.15                              | ■ |
| 1.6 (B332) (H4M 729)                                   | Gasolina         | FWD | 1598 | 86  | 117 | 01.14-01.16                              | ■ |
| 1.6 TCe  | Gasolina         | FWD | 1598 | 96  | 131 | 01.11-                                   | ■ |
| 2.0 CVT (BZ0G, BZ1P) (M4R 711)                         | Gasolina         | FWD | 1997 | 103 | 140 | 02.09-08.15                              | ■ |
| 2.0 CVT (BZ0G, BZ1P) (M4R 713)                         | Gasolina         | FWD | 1997 | 103 | 140 | 02.09-08.15                              | ■ |
| 2.0 (M4R 710)  | Gasolina         | FWD | 1997 | 105 | 143 | 01.11-08.15                              | ■ |
| 2.0 (M4R 714)  | Gasolina         | FWD | 1997 | 105 | 143 | 01.11-08.15                              | ■ |
| 2.0 TCe (BZ0K) (F4R 870)                               | Gasolina         | FWD | 1998 | 132 | 180 | 11.08-08.15                              | ■ |
| 1.6 16V BiFuel (BZ1U, BZ0U) (K4M 858)                  | Gasol./Gas (LPG) | FWD | 1598 | 81  | 110 | 05.09-08.15                              | ■ |
| 1.6 16V Hi-Flex (BZ03) (K4M 858)                       | Gasol./Etanol    | FWD | 1598 | 81  | 110 | 11.08-08.15                              | ■ |
| 1.6 16V Hi-Flex (BZ03) (K4M 866)                       | Gasol./Etanol    | FWD | 1598 | 81  | 110 | 11.08-08.15                              | ■ |
| 1.5 dCi (K9K 830)                                      | Diesel           | FWD | 1461 | 63  | 86  | 11.08-08.15                              | ■ |
| 1.5 dCi (BZ0C) (K9K 834)                               | Diesel           | FWD | 1461 | 66  | 90  | 11.08-08.15                              | ■ |
| 1.5 dCi (BZ1G, BZ1W, BZ0R) (K9K 846)                   | Diesel           | FWD | 1461 | 70  | 95  | 11.13-08.15                              | ■ |
| 1.5 dCi (K9K 832)                                      | Diesel           | FWD | 1461 | 78  | 106 | 12.08-01.16                              | ■ |
| 1.5 dCi (BZ09, BZ0D, BZ1W, BZ29, BZ14) (K9K 636)       | Diesel           | FWD | 1461 | 81  | 110 | 02.09-12.15                              | ■ |
| 1.5 dCi (BZ09, BZ0D, BZ1W, BZ29, BZ14) (K9K 836)       | Diesel           | FWD | 1461 | 81  | 110 | 02.09-12.15                              | ■ |
| 1.5 dCi (BZ09, BZ0D, BZ1W, BZ29, BZ14) (K9K 837)       | Diesel           | FWD | 1461 | 81  | 110 | 02.09-12.15                              | ■ |

## LISTA DE APLICACIONES - BUYERS GUIDE

|   |          |     |      |     |                                       |             |   |
|---|----------|-----|------|-----|---------------------------------------|-------------|---|
| 1.5 dCi (BZ09, BZ0D, BZ1W, BZ29, BZ14)<br>(K9K 846) | Diesel   | FWD | 1461 | 81  | 110                                   | 02.09-12.15 | ■ |
| 1.5 dCi   | Diesel   | RWD | 1461 | 96  | 131                                   | 11.08-      | ■ |
| 1.6 dCi (BZ00, BZ12, BZ13) (R9M 402)                | Diesel   | FWD | 1598 | 96  | 130                                   | 04.11-08.15 | ■ |
| 1.6 dCi (BZ00, BZ12, BZ13) (R9M 404)                | Diesel   | FWD | 1598 | 96  | 130                                   | 04.11-08.15 | ■ |
| 1.9 dCi (BZ0N, BZ0J) (F9Q 870)                      | Diesel   | FWD | 1870 | 96  | 131                                   | 11.08-01.16 | ■ |
| 1.9 dCi (BZ0N, BZ0J) (F9Q 872)                      | Diesel   | FWD | 1870 | 96  | 131                                   | 11.08-01.16 | ■ |
| 2.0 dCi (BZ0Y) (M9R 615)                            | Diesel   | FWD | 1995 | 110 | 150                                   | 10.10-08.15 | ■ |
| 2.0 dCi (BZ0L) (M9R 610)                            | Diesel   | FWD | 1995 | 118 | 160                                   | 04.09-08.15 | ■ |
| <b>MEGANE III (B95) 06.09-</b>                      |          |     |      |     | <b>Saloon (Compact car-C Segment)</b> |             |   |
| 1.6 16V   | Gasolina | FWD | 1598 | 82  | 112                                   | 06.09-      | ■ |
| 1.9 dCi   | Diesel   | RWD | 1870 | 96  | 130                                   | 06.09-      | ■ |