

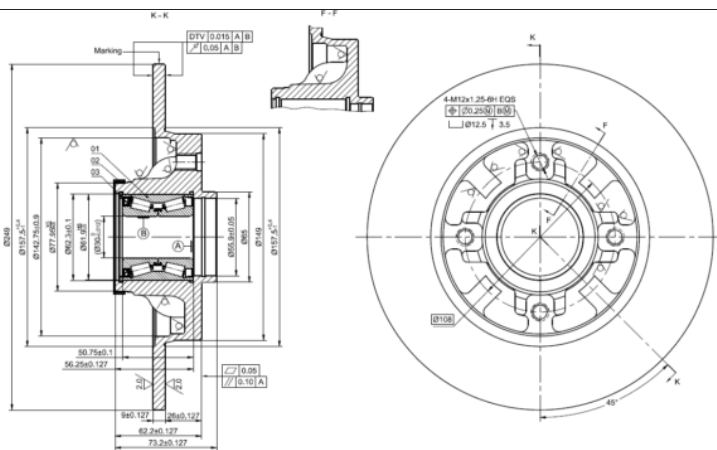
LISTA DE APLICACIONES - BUYERS GUIDE

78BD4034-1



Weight: 5.390

O.E.M.	MAKE
16 092 499 80	CITROËN
16 192 387 80	DS
4249.65	PEUGEOT
4249.66	PEUGEOT



78BD4034-1

E1 90R-02C0559/0102



Ø249x9x73.2

MAKE
CITROËN
DS
PEUGEOT



	Trac.	CC	Kw	CV			Front / Rear
--	-------	----	----	----	--	--	--------------

CITROËN

						Coupe (Compact car-C Segment)					
C4 (LA_) 11.04-12.13											
1.6 16V (NFU (TU5JP4))	not elec.brak.detent	Gasolina	FWD	1587	81	110	03.11-12.13		■		
C4 II (NC_) 11.09-						Hatchback Van (Compact car-C Segment)					
1.6 HDi (9HP (DV6DTE))	not elec.brak.detent	Diesel	FWD	1560	68	92	06.10-		■		
1.6 BlueHDi (BHY (DV6FD))	not elec.brak.detent	Diesel	FWD	1560	73	99	07.14-		■		
1.6 HDi (9HR (DV6C))	not elec.brak.detent	Diesel	FWD	1560	82	111	11.09-		■		
1.6 BlueHDi (BHZ (DV6FC))	not elec.brak.detent	Diesel	FWD	1560	88	120	02.15-		■		
C4 II (NC_) 02.09-						Hatchback (Compact car-C Segment)					
1.2 THP 110 (NCHNZ6, NCHNV6) (HNZ (EB2DT))	not elec.brak.detent	Gasolina	FWD	1199	81	110	02.15-12.17		■		
1.4 VTi 95 (NC8FP0) (8FP (EP3C))	not elec.brak.detent	Gasolina	FWD	1397	70	95	11.09-11.15		■		
1.6 (NCNFU0)	not elec.brak.detent	Gasolina	FWD	1587	81	110	01.10-		■		
1.6 VTi 120 (NC5FS0, NC5FS9) (5FS (EP6C))	not elec.brak.detent	Gasolina	FWD	1598	88	120	11.09-12.16		■		
1.6 THP 155 (5FV (EP6CDT))	not elec.brak.detent	Gasolina	FWD	1598	115	156	11.09-12.16		■		
2.0 Flex	not elec.brak.detent	Gasolina	FWD	1997	111	151	11.09-		■		
1.6 VTi 120 LPG (NC5FS0) (5FS (EP6C))	not elec.brak.detent	Gasol./G as (LPG)	FWD	1598	88	120	09.11-		■		
2.0 Exclusive GLX Flex	not elec.brak.detent	Gasol./Et anol	FWD	1997	109	148	02.09-07.13		■		
1.6 HDi 90 (9HJ (DV6DTE))	not elec.brak.detent	Diesel	FWD	1560	68	92	11.09-		■		
1.6 HDi 90 (9HP (DV6DTE))	not elec.brak.detent	Diesel	FWD	1560	68	92	11.09-		■		
1.6 BlueHDi 100 (BHY (DV6FD))	not elec.brak.detent	Diesel	FWD	1560	73	99	07.14-05.18		■		
1.6 HDi 110 (9HR (DV6C))	not elec.brak.detent	Diesel	FWD	1560	82	112	11.09-		■		
1.6 HDi 115 (9HD (DV6C))	not elec.brak.detent	Diesel	FWD	1560	84	114	07.12-		■		
1.6 BlueHDi 115 (BHX (DV6FC))	not elec.brak.detent	Diesel	FWD	1560	85	115	01.13-05.15		■		

LISTA DE APLICACIONES - BUYERS GUIDE

1.6 BlueHDi 120 (BHZ (DV6FC))	not elec.brak.detent	Diesel	FWD	1560	88	120	02.15-05.18	■
2.0 HDi / BlueHDi 150 (AHR (DW10FD))	not elec.brak.detent	Diesel	FWD	1997	110	150	11.09-	■
2.0 HDi / BlueHDi 150 (RHE (DW10CTED4))	not elec.brak.detent	Diesel	FWD	1997	110	150	11.09-	■
C4 II (NC_) 01.13-				Saloon (Compact car-C Segment)				
1.6 (NFP (EC5))	not elec.brak.detent	Gasolina	FWD	1587	85	116	01.13-	■
1.6 (5FS (EP6C))	not elec.brak.detent	Gasolina	FWD	1598	88	120	01.13-	■
1.6 THP (5FE (EP6CDTMD))	not elec.brak.detent	Gasolina	FWD	1598	110	150	01.13-	■
1.6 THP 165	not elec.brak.detent	Gasolina	FWD	1598	121	165	08.13-10.20	■
1.6 Flex	not elec.brak.detent	Gasolina	FWD	1598	127	173	12.14-	■
2.0 16V	not elec.brak.detent	Gasolina	FWD	1997	105	143	09.13-	■
2.0 Flex	not elec.brak.detent	Gasolina	FWD	1997	111	151	08.13-	■
1.6 HDi (9HD (DV6C))	not elec.brak.detent	Diesel	FWD	1560	84	115	08.13-	■
1.6 HDi (9HR (DV6C))	not elec.brak.detent	Diesel	FWD	1560	84	115	08.13-	■
C4 Picasso (UD_) 10.06-12.15				MPV (Compact MPV-M1 Segment)				
1.6 16V (5FX (EP6DT))		Gasolina	FWD	1598	110	150	07.08-08.13	■
DS4 (NX_) 03.11-07.15				Hatchback (Compact car-C Segment)				
1.6 VTI 120 (5FS (EP6C))	not elec.brak.detent	Gasolina	FWD	1598	88	120	04.11-07.15	■
1.6 THP 155 (5FV (EP6CDT))	not elec.brak.detent	Gasolina	FWD	1598	115	156	04.11-07.15	■
1.6 THP160 (5FM (EP6CDTM))	not elec.brak.detent	Gasolina	FWD	1598	120	163	04.12-07.15	■
1.6 THP200 (5FU (EP6DTX))		Gasolina	FWD	1598	147	200	04.11-07.15	■
1.6 HDi 90 (9HP (DV6DTE))	not elec.brak.detent	Diesel	FWD	1560	68	92	05.11-07.15	■
1.6 HDi 110 (9HR (DV6C))	not elec.brak.detent	Diesel	FWD	1560	82	112	04.11-07.15	■
1.6 HDi 115 (9HD (DV6C))	not elec.brak.detent	Diesel	FWD	1560	84	114	08.12-07.15	■
1.6 BlueHDi 120 (BHZ (DV6FC))	not elec.brak.detent	Diesel	FWD	1560	88	120	07.14-07.15	■
2.0 HDi / BlueHDi 135 (AHS (DW10FD))	not elec.brak.detent	Diesel	FWD	1997	100	136	09.11-07.15	■
2.0 HDi / BlueHDi 135 (AHV (DW10FD))	not elec.brak.detent	Diesel	FWD	1997	100	136	09.11-07.15	■
2.0 HDi / BlueHDi 135 (RHD (DW10CB))	not elec.brak.detent	Diesel	FWD	1997	100	136	09.11-07.15	■
2.0 HDi / BlueHDi 135 (RHD (DW10CTED4))	not elec.brak.detent	Diesel	FWD	1997	100	136	09.11-07.15	■
2.0 BlueHDi 150 (AHX (DW10FD))	not elec.brak.detent	Diesel	FWD	1997	110	150	07.14-07.15	■
2.0 HDi 165 (RHH (DW10CTED4))	not elec.brak.detent	Diesel	FWD	1997	120	163	04.11-07.15	■
2.0 BlueHDi 180 (AHW (DW10FC))	not elec.brak.detent	Diesel	FWD	1997	133	180	07.14-07.15	■
DS								
DS 4 / DS 4 CROSSBACK (NX_) 07.15-				Hatchback (Compact car-C Segment)				
1.6 VTI (5FS (EP6C))	not elec.brak.detent	Gasolina	FWD	1598	88	120	07.15-12.18	■
1.6 THP 208 (5GR (EP6FDTX))	not elec.brak.detent	Gasolina	FWD	1598	153	208	03.17-12.18	■
1.6 THP 210 (5GM (EP6FDTX))	not elec.brak.detent	Gasolina	FWD	1598	155	210	07.15-12.18	■
1.6 BlueHDi 100 (BHY (DV6FD))	not elec.brak.detent	Diesel	FWD	1560	73	99	04.16-12.18	■
1.6 e- HDi 115 (9HD (DV6C))	not elec.brak.detent	Diesel	FWD	1560	84	114	07.15-12.18	■
1.6 BlueHDi 120 (BHZ (DV6FC))	not elec.brak.detent	Diesel	FWD	1560	88	120	07.15-12.18	■
2.0 BlueHDi 180 (AHW (DW10FC))	not elec.brak.detent	Diesel	FWD	1997	133	180	07.15-12.18	■
PEUGEOT								
308 (4A_, 4C_) 09.07-				Hatchback (Compact car-C Segment)				
1.4 16V (8FS (EP3))		Gasolina	FWD	1397	70	95	09.07-10.14	■
1.4 16V (EP3)		Gasolina	FWD	1397	70	95	09.07-10.14	■
1.4 16V (8FR (EP3))		Gasolina	FWD	1397	72	98	12.09-10.14	■
1.6		Gasolina	FWD	1587	85	115	02.12-12.15	■
1.6 BioFlex		Gasolina	FWD	1587	90	122	01.12-	■
1.6 16V (5FW (EP6))		Gasolina	FWD	1598	88	120	09.07-10.14	■
1.6 16V (EP6)		Gasolina	FWD	1598	88	120	09.07-10.14	■

LISTA DE APLICACIONES - BUYERS GUIDE

1.6 16V (5FT (EP6DT))		Gasolina	FWD	1598	103	140	09.07-10.14	■
1.6 16V (5FX (EP6DT))		Gasolina	FWD	1598	110	150	09.07-10.14	■
1.6 THP 16V (5FV (EP6CDT))		Gasolina	FWD	1598	115	156	10.09-10.14	■
1.6		Gasolina	FWD	1598	120	163	01.12-12.15	■
1.6 (5FM (EP6CDTM), 5GY(5P6FDTM))		Gasolina	FWD	1598	121	165	09.09-12.10	■
1.6 16V (5FY (EP6DTS))		Gasolina	FWD	1598	128	174	03.08-10.14	■
2.0		Gasolina	FWD	1997	105	143	12.11-	■
2.0 Bioflex		Gasolina	FWD	1997	111	151	01.12-	■
1.6 BioFlex (NFU (TU5JP4))		Gasol./Etanol	FWD	1587	80	109	04.08-10.14	■
2.0 Bioflex (RFJ (EW10A))		Gasol./Etanol	FWD	1997	103	140	01.08-12.12	■
1.6 HDi (9HV (DV6TED4B))		Diesel	FWD	1560	66	90	09.07-10.14	■
1.6 HDi (9HV (DV6TED4BU))		Diesel	FWD	1560	66	90	09.07-10.14	■
1.6 HDi (9HX (DV6ATED4))		Diesel	FWD	1560	66	90	09.07-10.14	■
1.6 HDi (9HJ (DV6DTEDM))		Diesel	FWD	1560	68	92	11.09-10.14	■
1.6 HDi (9HP (DV6DTED))		Diesel	FWD	1560	68	92	11.09-10.14	■
1.6 HDi (9HZ (DV6TED4))		Diesel	FWD	1560	80	109	09.07-10.14	■
1.6 HDi (9HR (DV6C))		Diesel	FWD	1560	82	112	12.09-10.14	■
1.6 HDi (9HD (DV6C))		Diesel	FWD	1560	84	114	03.13-10.14	■
1.6 HDi (9HG (DV6C M))		Diesel	FWD	1560	84	114	03.13-10.14	■
2.0 HDi (RHR (DW10BTED4))		Diesel	FWD	1997	100	136	09.07-10.14	■
2.0 HDi (RHR (DW10CB))		Diesel	FWD	1997	100	136	09.07-10.14	■
2.0 HDi (RHR (DW10BTED4))		Diesel	FWD	1997	103	140	07.10-12.12	■
2.0 HDi (RHE (DW10CTED4))		Diesel	FWD	1997	110	150	10.11-10.14	■
2.0 HDi (RHH (DW10CTED4))		Diesel	FWD	1997	120	163	04.12-10.14	■
308 SW (4E_, 4H_) 09.07-							Estate (Compact car-C Segment)	
1.4 16V (8FR (EP3))		Gasolina	FWD	1397	72	98	12.09-10.14	■
1.6 16V (5FT (EP6DT))		Gasolina	FWD	1598	103	140	09.07-10.14	■
1.6 16V (5FX (EP6DT))		Gasolina	FWD	1598	110	150	09.07-10.14	■
1.6 THP 16V (5FV (EP6CDT))		Gasolina	FWD	1598	115	156	10.09-10.14	■
1.6 16V (5FY (EP6DTS))		Gasolina	FWD	1598	128	174	03.08-10.14	■
2.0 Bioflex (RFJ (EW10A))		Gasol./Etanol	FWD	1997	103	140	01.08-12.11	■
1.6 HDi (9HV (DV6TED4BU))		Diesel	FWD	1560	66	90	09.07-10.14	■
1.6 HDi (9HX (DV6ATED4))		Diesel	FWD	1560	66	90	09.07-10.14	■
1.6 HDi (9HR (DV6C))		Diesel	FWD	1560	82	112	12.09-10.14	■
1.6 HDi (9HD (DV6C))		Diesel	FWD	1560	84	114	03.13-10.14	■
2.0 HDi (RHR (DW10BTED4))		Diesel	FWD	1997	100	136	09.07-12.12	■
2.0 HDi (RHR (DW10BTED4))		Diesel	FWD	1997	103	140	09.07-10.14	■
2.0 HDi (RHE (DW10CTED4))		Diesel	FWD	1997	110	150	04.11-10.14	■
2.0 HDi (RHH (DW10CTED4))		Diesel	FWD	1997	120	163	06.09-10.14	■
308 CC (4B_) 02.09-							Convertible (Compact car-C Segment)	
1.6 16V (EP6)		Gasolina	FWD	1598	88	120	06.09-12.14	■
1.6 16V (5FT (EP6DT))		Gasolina	FWD	1598	103	140	06.09-12.14	■
1.6 16V (5FX (EP6DT))		Gasolina	FWD	1598	110	150	06.09-12.14	■
1.6 16V (5FV (EP6CDT))		Gasolina	FWD	1598	115	156	06.09-12.14	■
1.6 THP (5FM (EP6CDTM))		Gasolina	FWD	1598	120	163	08.12-12.14	■
1.6		Gasolina	FWD	1598	121	165	10.12-12.15	■
1.6		Gasolina	FWD	1598	129	175	07.09-	■
2.0 CVVT (RFJ (EW10A))		Gasolina	FWD	1997	103	140	07.09-12.14	■
1.6 HDi (9HR (DV6C))		Diesel	FWD	1560	82	112	06.09-12.14	■

LISTA DE APLICACIONES - BUYERS GUIDE

1.6 HDi (9HZ (DV6TED4))		Diesel	FWD	1560	82	111	02.09-05.12	■
1.6 HDi (9HD (DV6C))		Diesel	FWD	1560	84	114	03.13-12.14	■
2.0 HDi (4BRHRH, 4BRHRJ) (RHR (DW10BTED4))		Diesel	FWD	1997	100	136	04.09-12.14	■
2.0 HDi (RHF (DW10BTED4))		Diesel	FWD	1997	103	140	04.09-12.12	■
2.0 HDi (RHH (DW10CTED4))		Diesel	FWD	1997	120	163	06.09-12.14	■
308 SW (4E_) 01.08-12.12						Estate Van (Compact car-C Segment)		
2.0 HDi (RHR (DW10BTED4))		Diesel	FWD	1997	100	136	01.08-12.11	■