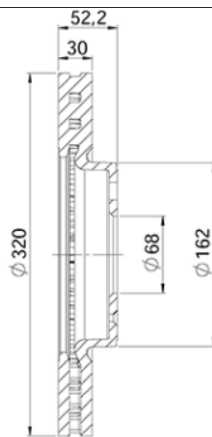
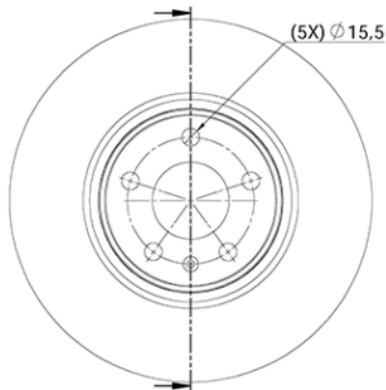


LISTA DE APLICACIONES - BUYERS GUIDE

78BD4039-2



Weight: 20.876



78BD4039-2

E1 90R-02C0538/0126



Ø320x30x52.2

MAKE

AUDI
NISSAN
VW

O.E.M.	MAKE
8R0 615 301	VW
8R0 615 301 C	VW
8R0615301D	AUDI (FAW)
8R0615301F	AUDI (FAW)
8R0615301G	AUDI (FAW)
L4GD615301	AUDI (FAW)
L4GD615301A	AUDI (FAW)
L8R0615301	AUDI (FAW)



Trac.	CC	Kw	CV
-------	----	----	----



Front / Rear

AUDI

A4 IV Allroad B8 (8KH) 04.09-06.17							Estate (Compact executive car-D Segment)			
2.0 TFSI quattro (CDNC)	07/11-, PR 1LA	Gasolina	4WD	1984	155	211	04.09-05.16	■		
2.0 TFSI quattro (CPMA)	07/11-, PR 1LA	Gasolina	4WD	1984	155	211	04.09-05.16	■		
2.0 TFSI quattro (CPMB)	PR 1LA	Gasolina	4WD	1984	162	220	05.13-05.16	■		
2.0 TFSI quattro (CNCD)	PR 1LA	Gasolina	4WD	1984	165	224	05.13-05.16	■		
2.0 TDI quattro (CAGB)	07/11-, PR 1LA, PR 1LB	Diesel	4WD	1968	100	136	09.09-05.16	■		
2.0 TDI quattro (CJCB)	07/11-, PR 1LA, PR 1LB	Diesel	4WD	1968	100	136	09.09-05.16	■		
2.0 TDI quattro (CSUB)	07/11-, PR 1LA, PR 1LB	Diesel	4WD	1968	100	136	09.09-05.16	■		
2.0 TDI quattro (CAGA)	07/11-, PR 1LA	Diesel	4WD	1968	105	143	09.09-05.16	■		
2.0 TDI quattro (CJCA)	07/11-, PR 1LA	Diesel	4WD	1968	105	143	09.09-05.16	■		
2.0 TDI quattro (CJCD)	PR 1LA	Diesel	4WD	1968	110	150	05.13-05.16	■		
2.0 TDI quattro (CSUA)	PR 1LA	Diesel	4WD	1968	110	150	05.13-05.16	■		
2.0 TDI quattro (CAHB)	07/11-, PR 1LA	Diesel	4WD	1968	120	163	04.09-05.16	■		
2.0 TDI quattro (CGLD)	07/11-, PR 1LA	Diesel	4WD	1968	120	163	04.09-05.16	■		
2.0 TDI quattro (CNHC)	07/11-, PR 1LA	Diesel	4WD	1968	120	163	04.09-05.16	■		
2.0 TDI quattro (CAHA)	07/11-, PR 1LA	Diesel	4WD	1968	125	170	04.09-05.16	■		
2.0 TDI quattro (CGLC)	PR 1LA	Diesel	4WD	1968	130	177	11.11-05.16	■		
2.0 TDI quattro (CNHA)	PR 1LA	Diesel	4WD	1968	140	190	09.13-05.16	■		
3.0 TDI quattro (CCWA)	07/11-, PR 1LA	Diesel	4WD	2967	176	240	04.09-01.12	■		
3.0 TDI quattro (CDUC)	PR 1LA	Diesel	4WD	2967	180	245	01.12-05.16	■		
3.0 TDI quattro (CKVB)	PR 1LA	Diesel	4WD	2967	180	245	01.12-05.16	■		
3.0 TDI quattro (CKVC)	PR 1LA	Diesel	4WD	2967	180	245	01.12-05.16	■		

LISTA DE APLICACIONES - BUYERS GUIDE

A4 IV B8 (8K2) 08.07-06.17					Saloon (Compact executive car-D Segment)			
1.8 T	07/11-, PR 1LA, PR 1LB	Gasolina	FWD	1781	110	150	07.08-05.10	■
1.8 TFSI (CABA)	07/11-, PR 1LA, PR 1LB	Gasolina	FWD	1798	88	120	01.08-12.15	■
1.8 TFSI (CDHA)	07/11-, PR 1LA, PR 1LB	Gasolina	FWD	1798	88	120	01.08-12.15	■
1.8 TFSI (CABB)	07/11-, PR 1LA, PR 1LB	Gasolina	FWD	1798	118	160	11.07-03.12	■
1.8 TFSI (CDHB)	07/11-, PR 1LA, PR 1LB	Gasolina	FWD	1798	118	160	11.07-03.12	■
1.8 TFSI quattro (CDHB)	07/11-, PR 1LA, PR 1LB	Gasolina	4WD	1798	118	160	09.08-03.12	■
1.8 TFSI (CJEB)	PR 1LA, PR 1LB	Gasolina	FWD	1798	125	170	11.11-12.15	■
1.8 TFSI quattro (CJEB)	PR 1LA, PR 1LB	Gasolina	4WD	1798	125	170	11.11-12.15	■
2.0 TFSI (CAEA)	07/11-, PR 1LA, PR 1LB	Gasolina	FWD	1984	132	180	06.08-12.15	■
2.0 TFSI (CDNB)	07/11-, PR 1LA, PR 1LB	Gasolina	FWD	1984	132	180	06.08-12.15	■
2.0 TFSI (CFKA)	07/11-, PR 1LA, PR 1LB	Gasolina	FWD	1984	132	180	06.08-12.15	■
2.0 TFSI quattro (CFKA)		Gasolina	4WD	1984	132	180	11.09-03.12	■
2.0 TFSI (CAEB)	07/11-, PR 1LA, PR 1LB	Gasolina	FWD	1984	155	211	06.08-05.13	■
2.0 TFSI (CDNC)	07/11-, PR 1LA, PR 1LB	Gasolina	FWD	1984	155	211	06.08-05.13	■
2.0 TFSI quattro (CAEB)	07/11-, PR 1LA, PR 1LB	Gasolina	4WD	1984	155	211	06.08-12.15	■
2.0 TFSI quattro (CDNC)	07/11-, PR 1LA, PR 1LB	Gasolina	4WD	1984	155	211	06.08-12.15	■
2.0 TFSI quattro (CPMA)	07/11-, PR 1LA, PR 1LB	Gasolina	4WD	1984	155	211	06.08-12.15	■
2.0 TFSI (CAED)	PR 1LA, PR 1LB	Gasolina	FWD	1984	162	220	05.13-12.15	■
2.0 TFSI quattro (CAED)	PR 1LA, PR 1LB	Gasolina	4WD	1984	162	220	05.13-12.15	■
2.0 TFSI quattro (CPMB)	PR 1LA, PR 1LB	Gasolina	4WD	1984	162	220	05.13-12.15	■
2.0 TFSI (CNCD)	PR 1LA, PR 1LB	Gasolina	FWD	1984	165	224	05.13-12.15	■
2.0 TFSI quattro (CNCD)	PR 1LA, PR 1LB	Gasolina	4WD	1984	165	224	05.13-12.15	■
3.0 TFSI quattro (CMUA)	PR 1LA, PR 1LB	Gasolina	4WD	2995	200	272	02.12-12.15	■
3.0 TFSI quattro (CRED)	PR 1LA, PR 1LB	Gasolina	4WD	2995	200	272	02.12-12.15	■
3.2 FSI (CALA)	07/11-, PR 1LA, PR 1LB	Gasolina	FWD	3197	195	265	09.08-03.12	■
3.2 FSI quattro (CALA)	07/11-, PR 1LA, PR 1LB	Gasolina	4WD	3197	195	265	11.07-03.12	■
2.0 TFSI flexible fuel (CFKA)	07/11-, PR 1LA, PR 1LB	Gasol./Etanol	FWD	1984	132	180	11.09-12.15	■
2.0 TFSI flexible fuel quattro (CFKA)	PR 1LA, PR 1LB	Gasol./Etanol	4WD	1984	132	180	11.09-12.15	■
2.0 TDI (CAGC)	07/11-, PR 1LA, PR 1LB	Diesel	FWD	1968	88	120	06.08-12.15	■
2.0 TDI (CJCC)	07/11-, PR 1LA, PR 1LB	Diesel	FWD	1968	88	120	06.08-12.15	■
2.0 TDI (CAGB)	PR 1LA, PR 1LB	Diesel	FWD	1968	100	136	11.07-12.15	■
2.0 TDI (CJCB)	PR 1LA, PR 1LB	Diesel	FWD	1968	100	136	11.07-12.15	■
2.0 TDI (CSUB)	PR 1LA, PR 1LB	Diesel	FWD	1968	100	136	11.07-12.15	■
2.0 TDI (CAGA)	07/11-, PR 1LA, PR 1LB	Diesel	FWD	1968	105	143	11.07-12.15	■
2.0 TDI (CJCA)	07/11-, PR 1LA, PR 1LB	Diesel	FWD	1968	105	143	11.07-12.15	■
2.0 TDI (CMEA)	07/11-, PR 1LA, PR 1LB	Diesel	FWD	1968	105	143	11.07-12.15	■
2.0 TDI (CMFA)	07/11-, PR 1LA, PR 1LB	Diesel	FWD	1968	105	143	11.07-12.15	■
2.0 TDI quattro (CAGA)	07/11-, PR 1LA, PR 1LB	Diesel	4WD	1968	105	143	11.08-12.15	■
2.0 TDI quattro (CJCA)	07/11-, PR 1LA, PR 1LB	Diesel	4WD	1968	105	143	11.08-12.15	■
2.0 TDI (CJCD)	PR 1LA, PR 1LB	Diesel	FWD	1968	110	150	05.13-12.15	■
2.0 TDI (CMFB)	PR 1LA, PR 1LB	Diesel	FWD	1968	110	150	05.13-12.15	■
2.0 TDI (CSUA)	PR 1LA, PR 1LB	Diesel	FWD	1968	110	150	05.13-12.15	■
2.0 TDI quattro (CJCD)	PR 1LA, PR 1LB	Diesel	4WD	1968	110	150	05.13-12.15	■
2.0 TDI quattro (CSUA)	PR 1LA, PR 1LB	Diesel	4WD	1968	110	150	05.13-12.15	■
2.0 TDI (CAHB)	07/11-, PR 1LA, PR 1LB	Diesel	FWD	1968	120	163	08.08-12.15	■
2.0 TDI (CGLD)	07/11-, PR 1LA, PR 1LB	Diesel	FWD	1968	120	163	08.08-12.15	■
2.0 TDI (CNHC)	07/11-, PR 1LA, PR 1LB	Diesel	FWD	1968	120	163	08.08-12.15	■
2.0 TDI (CAHA)	07/11-, PR 1LA, PR 1LB	Diesel	FWD	1968	125	170	01.08-03.12	■
2.0 TDI quattro (CAHA)	07/11-, PR 1LA, PR 1LB	Diesel	4WD	1968	125	170	01.08-03.12	■

LISTA DE APLICACIONES - BUYERS GUIDE

2.0 TDI (CGLC)	PR 1LA, PR 1LB	Diesel	FWD	1968	130	177	11.11-12.15	■	
2.0 TDI (CMGB)	PR 1LA, PR 1LB	Diesel	FWD	1968	130	177	11.11-12.15	■	
2.0 TDI quattro (CGLC)	PR 1LA, PR 1LB	Diesel	4WD	1968	130	177	11.11-12.15	■	
2.0 TDI (CNHA)	PR 1LA, PR 1LB	Diesel	FWD	1968	140	190	09.13-12.15	■	
2.0 TDI quattro (CNHA)	PR 1LA, PR 1LB	Diesel	4WD	1968	140	190	09.13-12.15	■	
2.7 TDI (CAMB)	PR 1LA, PR 1LB	Diesel	FWD	2698	120	163	11.07-03.12	■	
2.7 TDI (CGKB)	PR 1LA, PR 1LB	Diesel	FWD	2698	120	163	11.07-03.12	■	
2.7 TDI (CAMA)	07/11-, PR 1LA, PR 1LB	Diesel	FWD	2698	140	190	11.07-03.12	■	
2.7 TDI (CGKA)	07/11-, PR 1LA, PR 1LB	Diesel	FWD	2698	140	190	11.07-03.12	■	
3.0 TDI (CLAB)	PR 1LA, PR 1LB	Diesel	FWD	2967	150	204	11.11-12.15	■	
3.0 TDI quattro (CAPA)	07/11-, PR 1LA, PR 1LB	Diesel	4WD	2967	176	240	11.07-03.12	■	
3.0 TDI quattro (CCLA)	07/11-, PR 1LA, PR 1LB	Diesel	4WD	2967	176	240	11.07-03.12	■	
3.0 TDI quattro (CCWA)	07/11-, PR 1LA, PR 1LB	Diesel	4WD	2967	176	240	11.07-03.12	■	
3.0 TDI quattro (CDUC)	PR 1LA, PR 1LB	Diesel	4WD	2967	180	245	11.11-12.15	■	
3.0 TDI quattro (CKVB)	PR 1LA, PR 1LB	Diesel	4WD	2967	180	245	11.11-12.15	■	
3.0 TDI quattro (CKVC)	PR 1LA, PR 1LB	Diesel	4WD	2967	180	245	11.11-12.15	■	
A4 IV B8 Avant (8K5) 11.07-06.17							Estate (Compact executive car-D Segment)		
1.8 TFSI (CDHA)	07/11-, PR 1LA, PR 1LB	Gasolina	FWD	1798	88	120	04.08-12.15	■	
1.8 TFSI (CABB)	07/11-, PR 1LA, PR 1LB	Gasolina	FWD	1798	118	160	11.07-03.12	■	
1.8 TFSI (CDHB)	07/11-, PR 1LA, PR 1LB	Gasolina	FWD	1798	118	160	11.07-03.12	■	
1.8 TFSI quattro (CDHB)	07/11-, PR 1LA, PR 1LB	Gasolina	4WD	1798	118	160	09.08-03.12	■	
1.8 TFSI (CJEB)	PR 1LA, PR 1LB	Gasolina	FWD	1798	125	170	11.11-12.15	■	
1.8 TFSI quattro (CJEB)	PR 1LA, PR 1LB	Gasolina	4WD	1798	125	170	11.11-12.15	■	
2.0 TFSI (CDNB)	07/11-, PR 1LA, PR 1LB	Gasolina	FWD	1984	132	180	06.08-12.15	■	
2.0 TFSI (CFKA)	07/11-, PR 1LA, PR 1LB	Gasolina	FWD	1984	132	180	06.08-12.15	■	
2.0 TFSI (CAEB)	07/11-, PR 1LA, PR 1LB	Gasolina	FWD	1984	155	211	06.08-05.13	■	
2.0 TFSI (CDNC)	07/11-, PR 1LA, PR 1LB	Gasolina	FWD	1984	155	211	06.08-05.13	■	
2.0 TFSI quattro (CAEB)	07/11-, PR 1LA, PR 1LB	Gasolina	4WD	1984	155	211	06.08-12.15	■	
2.0 TFSI quattro (CDNC)	07/11-, PR 1LA, PR 1LB	Gasolina	4WD	1984	155	211	06.08-12.15	■	
2.0 TFSI (CNCD)		Gasolina	FWD	1984	165	224	05.13-12.15	■	
2.0 TFSI quattro (CNCD)		Gasolina	4WD	1984	165	224	05.13-12.15	■	
3.0 TFSI quattro (CMUA)	PR 1LA, PR 1LB	Gasolina	4WD	2995	200	272	02.12-12.15	■	
3.0 TFSI quattro (CRED)	PR 1LA, PR 1LB	Gasolina	4WD	2995	200	272	02.12-12.15	■	
3.2 FSI (CALA)	07/11-, PR 1LA, PR 1LB	Gasolina	FWD	3197	195	265	09.08-03.12	■	
3.2 FSI quattro (CALA)	07/11-, PR 1LA, PR 1LB	Gasolina	4WD	3197	195	265	04.08-03.12	■	
2.0 TFSI flexible fuel (CFKA)	07/11-, PR 1LA, PR 1LB	Gasol./Etanol	FWD	1984	132	180	11.09-12.15	■	
2.0 TFSI flexible fuel quattro (CFKA)	07/11-, PR 1LA, PR 1LB	Gasol./Etanol	4WD	1984	132	180	11.09-12.15	■	
2.0 TDI (CAGC)	07/11-, PR 1LA, PR 1LB	Diesel	FWD	1968	88	120	06.08-12.15	■	
2.0 TDI (CJCC)	07/11-, PR 1LA, PR 1LB	Diesel	FWD	1968	88	120	06.08-12.15	■	
2.0 TDI (CAGB)	07/11-, PR 1LA, PR 1LB	Diesel	FWD	1968	100	136	04.08-12.15	■	
2.0 TDI (CJCB)	07/11-, PR 1LA, PR 1LB	Diesel	FWD	1968	100	136	04.08-12.15	■	
2.0 TDI (CSUB)	07/11-, PR 1LA, PR 1LB	Diesel	FWD	1968	100	136	04.08-12.15	■	
2.0 TDI 16V	07/11-, PR 1LA, PR 1LB	Diesel	FWD	1968	103	140	07.08-	■	
2.0 TDI (CAGA)	07/11-, PR 1LA, PR 1LB	Diesel	FWD	1968	105	143	04.08-12.15	■	
2.0 TDI (CJCA)	07/11-, PR 1LA, PR 1LB	Diesel	FWD	1968	105	143	04.08-12.15	■	
2.0 TDI (CMEA)	07/11-, PR 1LA, PR 1LB	Diesel	FWD	1968	105	143	04.08-12.15	■	
2.0 TDI (CMFA)	07/11-, PR 1LA, PR 1LB	Diesel	FWD	1968	105	143	04.08-12.15	■	
2.0 TDI quattro (CAGA)	07/11-, PR 1LA, PR 1LB	Diesel	4WD	1968	105	143	04.08-12.15	■	
2.0 TDI quattro (CJCA)	07/11-, PR 1LA, PR 1LB	Diesel	4WD	1968	105	143	04.08-12.15	■	
2.0 TDI (CJCD)	PR 1LA, PR 1LB	Diesel	FWD	1968	110	150	05.13-12.15	■	

LISTA DE APLICACIONES - BUYERS GUIDE

2.0 TDI (CMFB)	PR 1LA, PR 1LB	Diesel	FWD	1968	110	150	05.13-12.15	■
2.0 TDI (CSUA)	PR 1LA, PR 1LB	Diesel	FWD	1968	110	150	05.13-12.15	■
2.0 TDI quattro (CJCD)	PR 1LA, PR 1LB	Diesel	4WD	1968	110	150	05.13-12.15	■
2.0 TDI quattro (CSUA)	PR 1LA, PR 1LB	Diesel	4WD	1968	110	150	05.13-12.15	■
2.0 TDI (CAHB)	07/11-, PR 1LA, PR 1LB	Diesel	FWD	1968	120	163	08.08-12.15	■
2.0 TDI (CGLD)	07/11-, PR 1LA, PR 1LB	Diesel	FWD	1968	120	163	08.08-12.15	■
2.0 TDI (CNHC)	07/11-, PR 1LA, PR 1LB	Diesel	FWD	1968	120	163	08.08-12.15	■
2.0 TDI (CAHA)	07/11-, PR 1LA, PR 1LB	Diesel	FWD	1968	125	170	04.08-03.12	■
2.0 TDI quattro (CAHA)	07/11-, PR 1LA, PR 1LB	Diesel	4WD	1968	125	170	08.08-03.12	■
2.0 TDI (CGLC)	PR 1LA, PR 1LB	Diesel	FWD	1968	130	177	11.11-12.15	■
2.0 TDI quattro (CGLC)	PR 1LA, PR 1LB	Diesel	4WD	1968	130	177	11.11-12.15	■
2.0 TDI (CNHA)	PR 1LA, PR 1LB	Diesel	FWD	1968	140	190	09.13-12.15	■
2.0 TDI quattro (CNHA)	PR 1LA, PR 1LB	Diesel	4WD	1968	140	190	09.13-12.15	■
2.7 TDI (CAMB)	07/11-, PR 1LA, PR 1LB	Diesel	FWD	2698	120	163	04.08-03.12	■
2.7 TDI (CGKB)	07/11-, PR 1LA, PR 1LB	Diesel	FWD	2698	120	163	04.08-03.12	■
2.7 TDI (CAMA)	07/11-, PR 1LA, PR 1LB	Diesel	FWD	2698	140	190	04.08-03.12	■
2.7 TDI (CGKA)	07/11-, PR 1LA, PR 1LB	Diesel	FWD	2698	140	190	04.08-03.12	■
3.0 TDI (CLAB)	PR 1LA, PR 1LB	Diesel	FWD	2967	150	204	11.11-12.15	■
3.0 TDI quattro (CAPA)	07/11-, PR 1LA, PR 1LB	Diesel	4WD	2967	176	240	04.08-03.12	■
3.0 TDI quattro (CCLA)	07/11-, PR 1LA, PR 1LB	Diesel	4WD	2967	176	240	04.08-03.12	■
3.0 TDI quattro (CCWA)	07/11-, PR 1LA, PR 1LB	Diesel	4WD	2967	176	240	04.08-03.12	■
3.0 TDI quattro (CDUC)	PR 1LA, PR 1LB	Diesel	4WD	2967	180	245	11.11-12.15	■
3.0 TDI quattro (CKVB)	PR 1LA, PR 1LB	Diesel	4WD	2967	180	245	11.11-12.15	■
3.0 TDI quattro (CKVC)	PR 1LA, PR 1LB	Diesel	4WD	2967	180	245	11.11-12.15	■
A5 (8F7) 02.09-10.17					Convertible (Compact executive car-D Segment)			
1.8 TFSI (CJEB)	PR 1LA, PR 1LB	Gasolina	FWD	1798	125	170	09.11-03.16	■
2.0 TFSI (CAEA)	PR 1LA, PR 1LB	Gasolina	FWD	1984	132	180	03.09-03.12	■
2.0 TFSI (CDNB)	PR 1LA, PR 1LB	Gasolina	FWD	1984	132	180	03.09-03.12	■
2.0 TFSI (CAEB)	11/11-, PR 1LA, PR 1LB	Gasolina	FWD	1984	155	211	03.09-06.14	■
2.0 TFSI (CDNC)	11/11-, PR 1LA, PR 1LB	Gasolina	FWD	1984	155	211	03.09-06.14	■
2.0 TFSI quattro (CAEB)	11/11-, PR 1LA, PR 1LB	Gasolina	4WD	1984	155	211	03.09-01.17	■
2.0 TFSI quattro (CDNC)	11/11-, PR 1LA, PR 1LB	Gasolina	4WD	1984	155	211	03.09-01.17	■
2.0 TFSI quattro (CPMA)	11/11-, PR 1LA, PR 1LB	Gasolina	4WD	1984	155	211	03.09-01.17	■
2.0 TFSI (CAED)	PR 1LA, PR 1LB	Gasolina	FWD	1984	162	220	05.13-12.14	■
2.0 TFSI quattro (CPMB)	05/13-, PR 1LA, PR 1LB	Gasolina	4WD	1984	162	220	03.12-01.17	■
2.0 TFSI (CNCD)	PR 1LA, PR 1LB	Gasolina	FWD	1984	165	224	05.13-05.16	■
2.0 TFSI quattro (CNCD)	PR 1LA, PR 1LB	Gasolina	4WD	1984	165	224	05.13-05.16	■
2.0 TFSI (CNCE)	PR 1LA, PR 1LB	Gasolina	FWD	1984	169	230	08.15-01.17	■
2.0 TFSI quattro (CNCE)	PR 1LA, PR 1LB	Gasolina	4WD	1984	169	230	08.15-01.17	■
3.0 TFSI quattro (CMUA)	PR 1LA, PR 1LB	Gasolina	4WD	2995	200	272	11.11-01.17	■
3.0 TFSI quattro (CRED)	PR 1LA, PR 1LB	Gasolina	4WD	2995	200	272	11.11-01.17	■
3.2 FSI (CALA)	07/11-, PR 1LA, PR 1LB	Gasolina	FWD	3197	195	265	03.09-03.12	■
3.2 FSI quattro (CALA)	07/11-, PR 1LA, PR 1LB	Gasolina	4WD	3197	195	265	03.09-03.12	■
2.0 TDI (CJCA)	PR 1LA, PR 1LB	Diesel	FWD	1968	105	143	10.11-05.15	■
2.0 TDI (CJCD)	PR 1LA, PR 1LB	Diesel	FWD	1968	110	150	05.13-01.17	■
2.0 TDI (CSUA)	PR 1LA, PR 1LB	Diesel	FWD	1968	110	150	05.13-01.17	■
2.0 TDI (CAHB)	11/11-, PR 1LA, PR 1LB	Diesel	FWD	1968	120	163	05.09-06.14	■
2.0 TDI (CGLD)	11/11-, PR 1LA, PR 1LB	Diesel	FWD	1968	120	163	05.09-06.14	■
2.0 TDI (CAHA)	11/11-, PR 1LA, PR 1LB	Diesel	FWD	1968	125	170	05.09-03.12	■
2.0 TDI (CGLC)	PR 1LA, PR 1LB	Diesel	FWD	1968	130	177	10.11-01.17	■
2.0 TDI quattro (CGLC)	PR 1LA, PR 1LB	Diesel	4WD	1968	130	177	01.12-05.15	■

LISTA DE APLICACIONES - BUYERS GUIDE

2.0 TDI (CNHA)	PR 1LA, PR 1LB	Diesel	FWD	1968	140	190	09.13-01.17	■	
2.0 TDI quattro (CNHA)	PR 1LA, PR 1LB	Diesel	4WD	1968	140	190	09.13-01.17	■	
2.7 TDI (CGKB)	07/11-, PR 1LA, PR 1LB	Diesel	FWD	2698	120	163	05.09-03.12	■	
2.7 TDI (CGKA)	07/11-, PR 1LA, PR 1LB	Diesel	FWD	2698	140	190	03.09-03.12	■	
3.0 TDI (CLAB)	PR 1LA, PR 1LB	Diesel	FWD	2967	150	204	10.11-01.17	■	
3.0 TDI quattro (CKVD)	PR 1LA, PR 1LB	Diesel	4WD	2967	160	218	05.15-01.17	■	
3.0 TDI quattro (CCWA)	07/11-, PR 1LA, PR 1LB	Diesel	4WD	2967	176	240	03.09-03.12	■	
3.0 TDI quattro (CDUC)	PR 1LA, PR 1LB	Diesel	4WD	2967	180	245	10.11-01.17	■	
3.0 TDI quattro (CKVC)	PR 1LA, PR 1LB	Diesel	4WD	2967	180	245	10.11-01.17	■	
A5 (8T3) 06.07-10.17							Coupe (Compact executive car-D Segment)		
1.8 TFSI (CDHB)	07/11-, PR 1LA, PR 1LB	Gasolina	FWD	1798	118	160	05.09-09.11	■	
1.8 TFSI (CABD)	07/11-, PR 1LA, PR 1LB	Gasolina	FWD	1798	125	170	10.07-01.17	■	
1.8 TFSI (CJEB)	07/11-, PR 1LA, PR 1LB	Gasolina	FWD	1798	125	170	10.07-01.17	■	
1.8 TFSI (CJEE)	PR 1LA	Gasolina	FWD	1798	130	177	05.15-01.17	■	
2.0 TFSI (CDNB)	07/11-, PR 1LA	Gasolina	FWD	1984	132	180	11.08-03.12	■	
2.0 TFSI (CDNC)	07/11-, PR 1LA	Gasolina	FWD	1984	155	211	06.08-11.13	■	
2.0 TFSI quattro (CAEB)	07/11-, PR 1LA	Gasolina	4WD	1984	155	211	06.08-01.17	■	
2.0 TFSI quattro (CDNC)	07/11-, PR 1LA	Gasolina	4WD	1984	155	211	06.08-01.17	■	
2.0 TFSI quattro (CPMA)	07/11-, PR 1LA	Gasolina	4WD	1984	155	211	06.08-01.17	■	
2.0 TFSI (CNCD)	PR 1LA	Gasolina	FWD	1984	165	224	05.13-05.16	■	
2.0 TFSI quattro (CNCD)	PR 1LA	Gasolina	4WD	1984	165	224	05.13-05.16	■	
2.0 TFSI (CNCE)	PR 1LA	Gasolina	FWD	1984	169	230	08.15-01.17	■	
2.0 TFSI quattro (CNCE)	PR 1LA	Gasolina	4WD	1984	169	230	08.15-01.17	■	
3.0 TFSI quattro (CHMB)	PR 1LA, PR 1LB	Gasolina	4WD	2995	200	272	12.11-01.17	■	
3.0 TFSI quattro (CMUA)	PR 1LA, PR 1LB	Gasolina	4WD	2995	200	272	12.11-01.17	■	
3.0 TFSI quattro (CRED)	PR 1LA, PR 1LB	Gasolina	4WD	2995	200	272	12.11-01.17	■	
3.2 FSI (CALA)	07/11-, PR 1LA	Gasolina	FWD	3197	195	265	06.07-03.12	■	
3.2 FSI quattro (CALA)	07/11-, PR 1LA	Gasolina	4WD	3197	195	265	06.07-03.12	■	
2.0 TDI (CAHB)	07/11-, PR 1LA	Diesel	FWD	1968	120	163	08.08-01.17	■	
2.0 TDI (CGLD)	07/11-, PR 1LA	Diesel	FWD	1968	120	163	08.08-01.17	■	
2.0 TDI (CNHC)	07/11-, PR 1LA	Diesel	FWD	1968	120	163	08.08-01.17	■	
2.0 TDI (CAHA)	07/11-, PR 1LA	Diesel	FWD	1968	125	170	08.08-03.12	■	
2.0 TDI quattro (CAHA)	07/11-, PR 1LA	Diesel	4WD	1968	125	170	08.08-03.12	■	
2.0 TDI (CGLC)	PR 1LA	Diesel	FWD	1968	130	177	10.11-01.17	■	
2.0 TDI quattro (CGLC)	PR 1LA, PR 1LB	Diesel	4WD	1968	130	177	12.11-01.17	■	
2.0 TDI (CNHA)	PR 1LA	Diesel	FWD	1968	140	190	09.13-01.17	■	
2.0 TDI quattro (CNHA)	PR 1LA	Diesel	4WD	1968	140	190	09.13-01.17	■	
2.7 TDI (CAMB)	07/11-, PR 1LA	Diesel	FWD	2698	120	163	09.07-03.12	■	
2.7 TDI (CGKB)	07/11-, PR 1LA	Diesel	FWD	2698	120	163	09.07-03.12	■	
2.7 TDI (CAMA)	07/11-, PR 1LA	Diesel	FWD	2698	140	190	06.07-03.12	■	
2.7 TDI (CGKA)	07/11-, PR 1LA	Diesel	FWD	2698	140	190	06.07-03.12	■	
3.0 TDI (CLAB)	PR 1LA	Diesel	FWD	2967	150	204	10.11-01.17	■	
3.0 TDI quattro (CCWB)	PR 1LA	Diesel	4WD	2967	155	211	03.08-05.10	■	
3.0 TDI quattro (CKVD)	PR 1LA	Diesel	4WD	2967	160	218	05.15-01.17	■	
3.0 TDI quattro (CAPA)	07/11-, PR 1LA	Diesel	4WD	2967	176	240	06.07-03.12	■	
3.0 TDI quattro (CCWA)	07/11-, PR 1LA	Diesel	4WD	2967	176	240	06.07-03.12	■	
3.0 TDI quattro (CDUC)	PR 1LA	Diesel	4WD	2967	180	245	10.11-01.17	■	
3.0 TDI quattro (CKVB)	PR 1LA	Diesel	4WD	2967	180	245	10.11-01.17	■	
3.0 TDI quattro (CKVC)	PR 1LA	Diesel	4WD	2967	180	245	10.11-01.17	■	

LISTA DE APLICACIONES - BUYERS GUIDE

A5 Sportback (8TA) 07.07-10.17					Hatchback (Compact executive car-D Segment)			
1.8 TFSI (CJED)	PR 1LA	Gasolina	FWD	1798	106	144	09.14-01.17	■
1.8 TFSI (CDHB)	07/11-, PR 1LA	Gasolina	FWD	1798	118	160	11.09-09.11	■
1.8 TFSI (CJEB)	PR 1LA, PR 1LB	Gasolina	FWD	1798	125	170	08.11-01.17	■
1.8 TFSI (CJEE)	PR 1LA	Gasolina	FWD	1798	130	177	05.15-01.17	■
2.0 TFSI (CDNB)	07/11-, PR 1LA	Gasolina	FWD	1984	132	180	09.09-06.14	■
2.0 TFSI (CDNC)	07/11-, PR 1LA	Gasolina	FWD	1984	155	211	09.09-11.13	■
2.0 TFSI quattro (CDNC)	07/11-, PR 1LA	Gasolina	4WD	1984	155	211	09.09-01.17	■
2.0 TFSI (CNCD)	PR 1LA	Gasolina	FWD	1984	165	224	05.13-05.16	■
2.0 TFSI quattro (CNCD)	PR 1LA	Gasolina	4WD	1984	165	224	05.13-05.16	■
2.0 TFSI (CNCE)	PR 1LA	Gasolina	FWD	1984	169	230	08.15-01.17	■
2.0 TFSI quattro (CNCE)	PR 1LA	Gasolina	4WD	1984	169	230	08.15-01.17	■
3.0 TFSI quattro (CHMB)	PR 1LA, PR 1LB	Gasolina	4WD	2995	200	272	12.11-01.17	■
3.0 TFSI quattro (CMUA)	PR 1LA, PR 1LB	Gasolina	4WD	2995	200	272	12.11-01.17	■
3.0 TFSI quattro (CRED)	PR 1LA, PR 1LB	Gasolina	4WD	2995	200	272	12.11-01.17	■
3.2 FSI quattro (CALA)	07/11-, PR 1LA	Gasolina	4WD	3197	195	265	09.09-03.12	■
2.0 TDI (CAGB)	07/11-, PR 1LA	Diesel	FWD	1968	100	136	09.09-01.17	■
2.0 TDI (CJCB)	07/11-, PR 1LA	Diesel	FWD	1968	100	136	09.09-01.17	■
2.0 TDI (CSUB)	07/11-, PR 1LA	Diesel	FWD	1968	100	136	09.09-01.17	■
2.0 TDI (CAGA)	07/11-, PR 1LA	Diesel	FWD	1968	105	143	09.09-01.17	■
2.0 TDI (CJCA)	07/11-, PR 1LA	Diesel	FWD	1968	105	143	09.09-01.17	■
2.0 TDI (CMEA)	07/11-, PR 1LA	Diesel	FWD	1968	105	143	09.09-01.17	■
2.0 TDI (CMFA)	07/11-, PR 1LA	Diesel	FWD	1968	105	143	09.09-01.17	■
2.0 TDI (CJCD)	PR 1LA	Diesel	FWD	1968	110	150	05.13-01.17	■
2.0 TDI (CMFB)	PR 1LA	Diesel	FWD	1968	110	150	05.13-01.17	■
2.0 TDI (CSUA)	PR 1LA	Diesel	FWD	1968	110	150	05.13-01.17	■
2.0 TDI (CAHB)	07/11-, PR 1LA	Diesel	FWD	1968	120	163	09.09-01.17	■
2.0 TDI (CGLD)	07/11-, PR 1LA	Diesel	FWD	1968	120	163	09.09-01.17	■
2.0 TDI (CNHC)	07/11-, PR 1LA	Diesel	FWD	1968	120	163	09.09-01.17	■
2.0 TDI (CAHA)	07/11-, PR 1LA	Diesel	FWD	1968	125	170	09.09-03.12	■
2.0 TDI quattro (CAHA)	07/11-, PR 1LA	Diesel	4WD	1968	125	170	09.09-03.12	■
2.0 TDI (CGLC)	PR 1LA	Diesel	FWD	1968	130	177	10.11-01.17	■
2.0 TDI quattro (CGLC)	PR 1LA, PR 1LB	Diesel	4WD	1968	130	177	12.11-01.17	■
2.0 TDI (CNHA)	PR 1LA	Diesel	FWD	1968	140	190	09.13-01.17	■
2.0 TDI quattro (CNHA)	PR 1LA	Diesel	4WD	1968	140	190	09.13-01.17	■
2.7 TDI (CGKB)	07/11-, PR 1LA	Diesel	FWD	2698	120	163	09.09-03.12	■
2.7 TDI (CAMA)	07/11-, PR 1LA	Diesel	FWD	2698	140	190	09.09-03.12	■
2.7 TDI (CGKA)	07/11-, PR 1LA	Diesel	FWD	2698	140	190	09.09-03.12	■
3.0 TDI (CLAB)	PR 1LA, PR 1LB	Diesel	FWD	2967	150	204	10.11-01.17	■
3.0 TDI quattro (CKVD)	PR 1LA	Diesel	4WD	2967	160	218	05.15-01.17	■
3.0 TDI quattro (CCWA)	07/11-, PR 1LA	Diesel	4WD	2967	176	240	09.09-03.12	■
3.0 TDI quattro (CDUC)	PR 1LA, PR 1LB	Diesel	4WD	2967	180	245	10.11-01.17	■
3.0 TDI quattro (CKVB)	PR 1LA, PR 1LB	Diesel	4WD	2967	180	245	10.11-01.17	■
3.0 TDI quattro (CKVC)	PR 1LA, PR 1LB	Diesel	4WD	2967	180	245	10.11-01.17	■
A6 IV C7 (4G2, 4GC) 11.10-					Saloon (Executive car-E Segment)			
1.8 TFSI (CYGA)	PR 1LA	Gasolina	FWD	1798	140	190	09.14-09.18	■
2.0 TFSI (CDNB)	PR 1LA	Gasolina	FWD	1984	132	180	05.11-09.18	■
2.0 TFSI (CAEB)	PR 1LA, PR 1LB	Gasolina	FWD	1984	155	211	03.11-05.13	■
2.0 TFSI quattro (CAEB)	PR 1LA	Gasolina	4WD	1984	155	211	05.12-04.15	■
2.0 TFSI (CAED)	PR 1LA	Gasolina	FWD	1984	162	220	05.13-09.18	■

LISTA DE APLICACIONES - BUYERS GUIDE

2.0 TFSI quattro (CAED)	PR 1LA	Gasolina	4WD	1984	162	220	05.13-09.18	■
2.0 TFSI quattro (CYPB)	PR 1LA	Gasolina	4WD	1984	183	249	05.15-09.18	■
2.0 TFSI (CYNB)	PR 1LA	Gasolina	FWD	1984	185	252	09.14-09.18	■
2.0 TFSI (CYPA)	PR 1LA	Gasolina	FWD	1984	185	252	09.14-09.18	■
2.0 TFSI quattro (CYNB)	PR 1LA	Gasolina	4WD	1984	185	252	05.14-09.18	■
2.0 TFSI quattro (CYPA)	PR 1LA	Gasolina	4WD	1984	185	252	05.14-09.18	■
2.8 FSI (CHVA)	PR 1LA	Gasolina	FWD	2773	150	204	11.10-04.15	■
2.8 FSI quattro (CHVA)	PR 1LA	Gasolina	4WD	2773	150	204	11.10-04.15	■
2.8 FSI quattro (CVPA)	PR 1LA	Gasolina	4WD	2773	162	220	09.14-09.18	■
3.0	PR 1LA	Gasolina	FWD	2995	213	290	11.11-	■
3.0	PR 1LA	Gasolina	FWD	2995	213	290	11.11-	■
3.0 TFSI quattro (CCAA)	PR 1LA	Gasolina	4WD	2995	220	300	11.10-05.12	■
3.0 TFSI quattro (CGWB)	PR 1LA	Gasolina	4WD	2995	220	300	11.10-05.12	■
3.0 TFSI quattro (CGWD)	PR 1LA, PR 1LB	Gasolina	4WD	2995	228	310	03.11-09.18	■
3.0 TFSI quattro (CGXB)	PR 1LA, PR 1LB	Gasolina	4WD	2995	228	310	03.11-09.18	■
3.0 TFSI quattro (CTUA)	PR 1LA, PR 1LB	Gasolina	4WD	2995	228	310	03.11-09.18	■
3.0 TFSI quattro (CREC)	PR 1LA	Gasolina	4WD	2995	245	333	09.14-09.18	■
S6 quattro (CEUC)	04/12-, PR 1LA	Gasolina	4WD	3993	309	420	02.12-09.18	■
S6 quattro (CTGE)	PR 1LA	Gasolina	4WD	3993	331	450	10.14-09.18	■
2.0 TFSI Hybrid (CHJA)	PR 1LA	Gasol./el éc.	FWD	1984	180	245	11.11-04.15	■
2.0 TDI (CGLE)	PR 1LA, PR 1LB	Diesel	FWD	1968	100	136	01.12-09.18	■
2.0 TDI (CSUE)	PR 1LA, PR 1LB	Diesel	FWD	1968	100	136	01.12-09.18	■
2.0 TDI (CSUD)	PR 1LA	Diesel	FWD	1968	110	150	09.14-09.18	■
2.0 TDI (DDCB)	PR 1LA	Diesel	FWD	1968	110	150	09.14-09.18	■
2.0 TDI (CGLD)	PR 1LA	Diesel	FWD	1968	120	163	03.11-09.18	■
2.0 TDI (CGLC)	PR 1LA	Diesel	FWD	1968	130	177	03.11-09.18	■
2.0 TDI (CMGB)	PR 1LA	Diesel	FWD	1968	130	177	03.11-09.18	■
2.0 TDI (CNHA)	PR 1LA	Diesel	FWD	1968	140	190	11.13-09.18	■
2.0 TDI (CZJA)	PR 1LA	Diesel	FWD	1968	140	190	11.13-09.18	■
2.0 TDI (DDDA)	PR 1LA	Diesel	FWD	1968	140	190	11.13-09.18	■
2.0 TDI quattro (CNHA)	PR 1LA	Diesel	4WD	1968	140	190	04.15-09.18	■
2.0 TDI quattro (DDDA)	PR 1LA	Diesel	4WD	1968	140	190	04.15-09.18	■
3.0 TDI (CLAB)	PR 1LA	Diesel	FWD	2967	150	204	11.10-09.18	■
3.0 TDI quattro (CLAA)	PR 1LA	Diesel	4WD	2967	150	204	03.11-09.18	■
3.0 TDI (CTCB)	PR 1LA	Diesel	FWD	2967	155	211	09.14-09.18	■
3.0 TDI (CZVD)	PR 1LA	Diesel	FWD	2967	155	211	09.14-09.18	■
3.0 TDI quattro (CRTF)	PR 1LA	Diesel	4WD	2967	155	211	09.14-09.18	■
3.0 TDI quattro (CZVC)	PR 1LA	Diesel	4WD	2967	155	211	09.14-09.18	■
3.0 TDI (CTCC)	PR 1LA	Diesel	FWD	2967	160	218	09.14-09.18	■
3.0 TDI (CZVB)	PR 1LA	Diesel	FWD	2967	160	218	09.14-09.18	■
3.0 TDI quattro (CRTE)	PR 1LA	Diesel	4WD	2967	160	218	09.14-09.18	■
3.0 TDI quattro (CZVA)	PR 1LA	Diesel	4WD	2967	160	218	09.14-09.18	■
3.0 TDI quattro	PR 1LA	Diesel	4WD	2967	176	239	05.13-	■
3.0 TDI quattro (CDUC)	PR 1LA	Diesel	4WD	2967	180	245	03.11-09.18	■
3.0 TDI quattro (CDUD)	PR 1LA	Diesel	4WD	2967	180	245	03.11-09.18	■
3.0 TDI quattro (CKVB)	PR 1LA	Diesel	4WD	2967	180	245	03.11-09.18	■
3.0 TDI quattro (CKVC)	PR 1LA	Diesel	4WD	2967	180	245	03.11-09.18	■
3.0 TDI quattro (CRTD)	PR 1LA	Diesel	4WD	2967	200	272	09.14-09.18	■
3.0 TDI quattro (CGQB)	PR 1LA	Diesel	4WD	2967	230	313	11.11-09.18	■
3.0 TDI quattro (CVUA)	PR 1LA	Diesel	4WD	2967	235	320	09.14-09.18	■
3.0 TDI quattro (CVUB)	PR 1LA	Diesel	4WD	2967	240	326	09.14-09.18	■

LISTA DE APLICACIONES - BUYERS GUIDE

A6 IV C7 Avant (4G5, 4GD) 05.11-					Estate (Executive car-E Segment)			
1.8 TFSI (CYGA)	PR 1LA	Gasolina	FWD	1798	140	190	09.14-09.18	■
2.0 TFSI (CDNB)	PR 1LA	Gasolina	FWD	1984	132	180	06.11-09.18	■
2.0 TFSI quattro (CYPB)	PR 1LA	Gasolina	4WD	1984	183	249	05.15-09.18	■
2.0 TFSI (CYNB)	PR 1LA	Gasolina	FWD	1984	185	252	09.14-09.18	■
2.0 TFSI (CYPA)	PR 1LA	Gasolina	FWD	1984	185	252	09.14-09.18	■
2.0 TFSI quattro (CYPA)	PR 1LA	Gasolina	4WD	1984	185	252	05.15-09.18	■
2.8 FSI (CHVA)	PR 1LA	Gasolina	FWD	2773	150	204	05.11-04.15	■
2.8 FSI quattro (CHVA)	PR 1LA	Gasolina	4WD	2773	150	204	05.11-04.15	■
2.8 FSI quattro (CVPA)	PR 1LA	Gasolina	4WD	2773	162	220	09.14-09.18	■
3.0 TFSI quattro (CGWB)	PR 1LA	Gasolina	4WD	2995	220	300	05.11-05.12	■
3.0 TFSI quattro (CGWD)	PR 1LA, PR 1LB	Gasolina	4WD	2995	228	310	11.11-09.18	■
3.0 TFSI quattro (CREC)	PR 1LA	Gasolina	4WD	2995	245	333	09.14-09.18	■
S6 quattro (CEUC)	04/12-, PR 1LA	Gasolina	4WD	3993	309	420	02.12-09.18	■
S6 quattro (CTGE)	PR 1LA	Gasolina	4WD	3993	331	450	10.14-09.18	■
2.0 TDI (CGLE)	PR 1LA, PR 1LB	Diesel	FWD	1968	100	136	01.12-09.18	■
2.0 TDI (CSUE)	PR 1LA, PR 1LB	Diesel	FWD	1968	100	136	01.12-09.18	■
2.0 TDI (DDCA)	PR 1LA, PR 1LB	Diesel	FWD	1968	100	136	01.12-09.18	■
2.0 TDI (CSUD)	PR 1LA	Diesel	FWD	1968	110	150	09.14-09.18	■
2.0 TDI (DDCB)	PR 1LA	Diesel	FWD	1968	110	150	09.14-09.18	■
2.0 TDI (CGLD)	PR 1LA	Diesel	FWD	1968	120	163	05.11-09.18	■
2.0 TDI (CGLC)	PR 1LA	Diesel	FWD	1968	130	177	05.11-09.18	■
2.0 TDI (CMGB)	PR 1LA	Diesel	FWD	1968	130	177	05.11-09.18	■
2.0 TDI (CNHA)	PR 1LA	Diesel	FWD	1968	140	190	11.13-09.18	■
2.0 TDI (CZJA)	PR 1LA	Diesel	FWD	1968	140	190	11.13-09.18	■
2.0 TDI (DDDA)	PR 1LA	Diesel	FWD	1968	140	190	11.13-09.18	■
2.0 TDI quattro (CNHA)	PR 1LA	Diesel	4WD	1968	140	190	04.15-09.18	■
2.0 TDI quattro (DDDA)	PR 1LA	Diesel	4WD	1968	140	190	04.15-09.18	■
3.0 TDI (CLAB)	PR 1LA	Diesel	FWD	2967	150	204	05.11-09.18	■
3.0 TDI quattro (CLAA)	PR 1LA	Diesel	4WD	2967	150	204	05.11-09.18	■
3.0 TDI (CTCB)	PR 1LA	Diesel	FWD	2967	155	211	09.14-09.18	■
3.0 TDI (CZVD)	PR 1LA	Diesel	FWD	2967	155	211	09.14-09.18	■
3.0 TDI quattro (CRTF)	PR 1LA	Diesel	4WD	2967	155	211	09.14-09.18	■
3.0 TDI quattro (CZVC)	PR 1LA	Diesel	4WD	2967	155	211	09.14-09.18	■
3.0 TDI (CTCC)	PR 1LA	Diesel	FWD	2967	160	218	09.14-09.18	■
3.0 TDI (CZVB)	PR 1LA	Diesel	FWD	2967	160	218	09.14-09.18	■
3.0 TDI quattro (CRTE)	PR 1LA	Diesel	4WD	2967	160	218	09.14-09.18	■
3.0 TDI quattro (CZVA)	PR 1LA	Diesel	4WD	2967	160	218	09.14-09.18	■
3.0 TDI quattro (CDUC)	PR 1LA	Diesel	4WD	2967	180	245	05.11-09.18	■
3.0 TDI quattro (CDUD)	PR 1LA	Diesel	4WD	2967	180	245	05.11-09.18	■
3.0 TDI quattro (CKVB)	PR 1LA	Diesel	4WD	2967	180	245	05.11-09.18	■
3.0 TDI quattro (CKVC)	PR 1LA	Diesel	4WD	2967	180	245	05.11-09.18	■
3.0 TDI quattro (CRTD)	PR 1LA	Diesel	4WD	2967	200	272	09.14-09.18	■
3.0 TDI quattro (CGQB)	PR 1LA	Diesel	4WD	2967	230	313	11.11-09.18	■
3.0 TDI quattro (CVUA)	PR 1LA	Diesel	4WD	2967	235	320	09.14-09.18	■
3.0 TDI quattro (CVUB)	PR 1LA	Diesel	4WD	2967	240	326	09.14-09.18	■
A7 Sportback (4GA, 4GF) 07.10-11.19					Hatchback (Executive car-E Segment)			
1.8 TFSI (CYGA)	PR 1LA	Gasolina	FWD	1798	140	190	04.15-05.18	■
2.0 TFSI quattro (CYPB)	PR 1LA	Gasolina	4WD	1984	183	249	05.15-05.18	■
2.0 TFSI (CYPA)	PR 1LA	Gasolina	FWD	1984	185	252	09.14-05.18	■

LISTA DE APLICACIONES - BUYERS GUIDE

2.0 TFSI quattro (CYNB)	PR 1LA	Gasolina	4WD	1984	185	252	05.15-05.18	■	
2.0 TFSI quattro (CYPA)	PR 1LA	Gasolina	4WD	1984	185	252	05.15-05.18	■	
2.8 FSI (CHVA)	PR 1LA	Gasolina	FWD	2773	150	204	02.11-03.15	■	
2.8 FSI quattro (CHVA)	PR 1LA	Gasolina	4WD	2773	150	204	10.10-03.15	■	
2.8 FSI quattro (CNYA)	PR 1LA	Gasolina	4WD	2773	150	204	10.10-03.15	■	
3.0 TFSI quattro (CGWB)	PR 1LA	Gasolina	4WD	2995	220	300	10.10-05.12	■	
3.0 TFSI quattro (CHMA)	PR 1LA	Gasolina	4WD	2995	220	300	10.10-05.12	■	
3.0 TFSI quattro (CGWD)	PR 1LA	Gasolina	4WD	2995	228	310	01.11-03.15	■	
3.0 TFSI quattro (CGXB)	PR 1LA	Gasolina	4WD	2995	228	310	01.11-03.15	■	
3.0 TFSI quattro (CTTA)	PR 1LA	Gasolina	4WD	2995	228	310	01.11-03.15	■	
3.0 TFSI quattro (CTUA)	PR 1LA	Gasolina	4WD	2995	228	310	01.11-03.15	■	
3.0 TFSI quattro (CREC)	PR 1LA	Gasolina	4WD	2995	245	333	05.14-05.18	■	
S7 quattro (CEUC)	PR 1LA	Gasolina	4WD	3993	309	420	02.12-03.15	■	
S7 quattro (CTGE)	PR 1LA	Gasolina	4WD	3993	331	450	07.14-05.18	■	
3.0 TDI (CZVE)	PR 1LA	Diesel	FWD	2967	140	190	11.15-05.18	■	
3.0 TDI quattro (CZVE)	PR 1LA	Diesel	4WD	2967	140	190	11.15-05.18	■	
3.0 TDI quattro (CZVF)	PR 1LA	Diesel	4WD	2967	140	190	11.15-05.18	■	
3.0 TDI (CLAB)	PR 1LA	Diesel	FWD	2967	150	204	11.10-03.15	■	
3.0 TDI quattro (CLAA)	PR 1LA	Diesel	4WD	2967	150	204	12.10-03.15	■	
3.0 TDI (CZVD)	PR 1LA	Diesel	FWD	2967	155	211	11.15-05.18	■	
3.0 TDI quattro (CRTF)	PR 1LA	Diesel	4WD	2967	155	211	07.14-05.18	■	
3.0 TDI quattro (CTCB)	PR 1LA	Diesel	4WD	2967	155	211	07.14-05.18	■	
3.0 TDI quattro (CZVC)	PR 1LA	Diesel	4WD	2967	155	211	07.14-05.18	■	
3.0 TDI (CTCC)	PR 1LA	Diesel	FWD	2967	160	218	07.14-05.18	■	
3.0 TDI (CZVB)	PR 1LA	Diesel	FWD	2967	160	218	07.14-05.18	■	
3.0 TDI quattro (CRTE)	PR 1LA	Diesel	4WD	2967	160	218	07.14-05.18	■	
3.0 TDI quattro (CZVA)	PR 1LA	Diesel	4WD	2967	160	218	07.14-05.18	■	
3.0 TDI quattro (CPNB)	PR 1LA	Diesel	4WD	2967	176	239	05.13-06.17	■	
3.0 TDI quattro (CDUC)	PR 1LA	Diesel	4WD	2967	180	245	10.10-06.16	■	
3.0 TDI quattro (CDUD)	PR 1LA	Diesel	4WD	2967	180	245	10.10-06.16	■	
3.0 TDI quattro (CKVB)	PR 1LA	Diesel	4WD	2967	180	245	10.10-06.16	■	
3.0 TDI quattro (CKVC)	PR 1LA	Diesel	4WD	2967	180	245	10.10-06.16	■	
3.0 TDI quattro (CRTD)	PR 1LA	Diesel	4WD	2967	200	272	05.14-05.18	■	
3.0 TDI quattro (CGQB)	PR 1LA	Diesel	4WD	2967	230	313	11.11-03.15	■	
3.0 TDI quattro (CVUA)	PR 1LA	Diesel	4WD	2967	235	320	05.14-05.18	■	
3.0 TDI quattro (CVUB)	PR 1LA	Diesel	4WD	2967	240	326	09.14-05.18	■	
Q5 (U.S.A. 8R) 09.08-12.10					Closed Off-Road Vehicle (Luxury Crossover SUV-J Segment)				
3.2	PR 1ZB, 07/11-, PR 1LA	Gasolina	FWD		201	274	09.08-12.10	■	
Q5 (8RB) 11.08-12.17					SUV Van (Luxury Crossover SUV-J Segment)				
2.0 TFSI quattro	03/09-, PR 1LA, PR 1ZB	Gasolina	4WD	1984	155	211	11.08-09.12	■	
3.2 FSI quattro	PR 1ZB, 07/11-, PR 1LA	Gasolina	4WD	3197	199	271	11.08-09.12	■	
2.0 TDI	PR 1ZB	Diesel	FWD	1968	100	136	05.14-05.17	■	
2.0 TDI	PR 1ZB	Diesel	FWD	1968	105	143	11.11-05.13	■	
2.0 TDI	PR 1LA, PR 1ZB	Diesel	FWD	1968	110	150	06.12-05.17	■	
2.0 TDI quattro	03/09-, PR 1LA, PR 1ZB	Diesel	4WD	1968	125	170	11.08-09.12	■	
2.0 TDI quattro	PR 1LA, PR 1ZB	Diesel	4WD	1968	130	177	07.12-06.14	■	
2.0 TDI	PR 1LA, PR 1ZB	Diesel	FWD	1968	140	190	05.15-05.17	■	
3.0 TDI quattro	03/09-, PR 1LA, PR 1ZB	Diesel	4WD	2967	176	239	11.08-04.13	■	
3.0 TDI quattro	PR 1LA, PR 1ZB	Diesel	4WD	2967	180	245	06.12-05.17	■	
3.0 TDI quattro	PR 1LA, PR 1ZB	Diesel	4WD	2967	190	258	11.13-05.17	■	

LISTA DE APLICACIONES - BUYERS GUIDE

Q5 (8RB) 11.08-					SUV (Luxury Crossover SUV-J Segment)			
2.0 TFSI quattro	PR 1LA, PR 1ZB	Gasolina	4WD	1984	130	177	09.09-10.09	■
2.0 TFSI quattro (CDNB)	07/11-, PR 1LA, PR 1ZB	Gasolina	4WD	1984	132	180	08.09-05.17	■
2.0 TFSI quattro (CNCB)	07/11-, PR 1LA, PR 1ZB	Gasolina	4WD	1984	132	180	08.09-05.17	■
2.0 TFSI quattro (CAEB)	03/09-, PR 1LA, PR 1ZB	Gasolina	4WD	1984	155	211	11.08-09.12	■
2.0 TFSI quattro (CDNC)	03/09-, PR 1LA, PR 1ZB	Gasolina	4WD	1984	155	211	11.08-09.12	■
2.0 TFSI quattro (CPMB)	PR 1LA, PR 1ZB	Gasolina	4WD	1984	162	220	05.13-05.17	■
2.0 TFSI quattro (CNCD)	09/12-, PR 1LA, PR 1ZB	Gasolina	4WD	1984	165	224	06.12-05.16	■
2.0 TFSI quattro (CNCE)	PR 1LA, PR 1ZB	Gasolina	4WD	1984	169	230	08.15-05.17	■
3.0 TFSI quattro (CTUC)	PR 1ZB	Gasolina	4WD	2995	200	272	06.12-05.17	■
3.0 TFSI quattro (CTVA)	PR 1ZB	Gasolina	4WD	2995	200	272	06.12-05.17	■
3.2 FSI quattro (CALB)	PR 1ZB, 07/11-, PR 1LA	Gasolina	4WD	3197	199	270	11.08-12.12	■
2.0 TFSI Hybrid quattro (CHJA)	PR 1ZB	Gasol./el éc.	4WD	1984	180	245	06.11-06.16	■
2.0 TFSI Hybrid quattro (CHJA)	PR 1LA, PR 1ZB	Gasol./el éc.	4WD	1984	180	245	09.12-05.16	■
2.0 TDI (CJCB)	PR 1ZB	Diesel	FWD	1968	100	136	11.10-05.17	■
2.0 TDI (CSUB)	PR 1ZB	Diesel	FWD	1968	100	136	11.10-05.17	■
2.0 TDI quattro (CAGB)	07/11-, PR 1LA, PR 1ZB	Diesel	4WD	1968	100	136	08.09-05.17	■
2.0 TDI quattro (CJCB)	07/11-, PR 1LA, PR 1ZB	Diesel	4WD	1968	100	136	08.09-05.17	■
2.0 TDI quattro (CSUB)	07/11-, PR 1LA, PR 1ZB	Diesel	4WD	1968	100	136	08.09-05.17	■
2.0 TDI (CJCA)	PR 1ZB	Diesel	FWD	1968	105	143	11.10-05.13	■
2.0 TDI quattro (CAGA)	07/11-, PR 1LA, PR 1ZB	Diesel	4WD	1968	105	143	08.09-05.13	■
2.0 TDI quattro (CJCA)	07/11-, PR 1LA, PR 1ZB	Diesel	4WD	1968	105	143	08.09-05.13	■
2.0 TDI (CJCD)	PR 1LA, PR 1ZB	Diesel	FWD	1968	110	150	05.13-05.17	■
2.0 TDI (CSUA)	PR 1LA, PR 1ZB	Diesel	FWD	1968	110	150	05.13-05.17	■
2.0 TDI quattro (CJCD)	PR 1LA, PR 1ZB	Diesel	4WD	1968	110	150	05.13-05.17	■
2.0 TDI quattro (CSUA)	PR 1LA, PR 1ZB	Diesel	4WD	1968	110	150	05.13-05.17	■
2.0 TDI quattro (CAHB)	PR 1LA, PR 1LZ	Diesel	4WD	1968	120	163	11.08-05.17	■
2.0 TDI quattro (CGLA)	PR 1LA, PR 1LZ	Diesel	4WD	1968	120	163	11.08-05.17	■
2.0 TDI quattro (CGLD)	PR 1LA, PR 1LZ	Diesel	4WD	1968	120	163	11.08-05.17	■
2.0 TDI quattro (CNHC)	PR 1LA, PR 1LZ	Diesel	4WD	1968	120	163	11.08-05.17	■
2.0 TDI quattro (CAHA)	03/09-, PR 1LA, PR 1ZB	Diesel	4WD	1968	125	170	11.08-09.12	■
2.0 TDI quattro (CGLB)	03/09-, PR 1LA, PR 1ZB	Diesel	4WD	1968	125	170	11.08-09.12	■
2.0 TDI quattro (CMGA)	03/09-, PR 1LA, PR 1ZB	Diesel	4WD	1968	125	170	11.08-09.12	■
2.0 TDI quattro (CGLC)	09/12-, PR 1LA, PR 1ZB	Diesel	4WD	1968	130	177	06.12-05.17	■
2.0 TDI quattro (CMGB)	09/12-, PR 1LA, PR 1ZB	Diesel	4WD	1968	130	177	06.12-05.17	■
2.0 TDI (CNHA)	PR 1LA, PR 1ZB	Diesel	FWD	1968	140	190	09.15-05.17	■
2.0 TDI quattro (CNHA)	PR 1LA, PR 1ZB	Diesel	4WD	1968	140	190	11.13-05.17	■
3.0 TDI quattro (CCWB)	PR 1LA, PR 1ZB	Diesel	4WD	2967	155	211	11.08-09.12	■
3.0 TDI quattro (CCWA)	03/09-, PR 1LA, PR 1ZB	Diesel	4WD	2967	176	240	11.08-05.17	■
3.0 TDI quattro (CPNB)	03/09-, PR 1LA, PR 1ZB	Diesel	4WD	2967	176	240	11.08-05.17	■
3.0 TDI quattro (CDUD)	PR 1LA, PR 1ZB	Diesel	4WD	2967	180	245	06.12-05.17	■
3.0 TDI quattro (CTBC)	09/12-, PR 1LA, PR 1ZB	Diesel	4WD	2967	184	250	06.12-05.17	■
3.0 TDI quattro (CTBA)	PR 1LA, PR 1ZB	Diesel	4WD	2967	190	258	11.13-05.17	■
NISSAN								
PICK UP / 720 (720) 01.80-03.86					Pickup (Pick-Up Truck)			
2.3 D (SD23)		Diesel	RWD	2289	51	69	04.83-03.86	■
VW								
PHAETON (3D1, 3D2, 3D3, 3D4, 3D6, 3D7, 3D8, 3D9) 04.02-03.16					Saloon (Luxury car-F Segment)			
3.2 V6 4motion (BKL)		Gasolina	4WD	3189	177	241	02.04-11.08	■

LISTA DE APLICACIONES - BUYERS GUIDE

3.2 V6 4motion (BRK)		Gasolina	4WD	3189	177	241	02.04-11.08	■
3.6 V6 4motion (CHNA)		Gasolina	4WD	3597	206	280	11.08-03.16	■
3.6 V6 4motion (CMVA)		Gasolina	4WD	3597	206	280	11.08-03.16	■
4.2 V8 4motion (BGH)		Gasolina	4WD	4172	246	335	05.03-03.16	■
4.2 V8 4motion (BGJ)		Gasolina	4WD	4172	246	335	05.03-03.16	■
3.0 V6 TDI 4motion (CARA)		Diesel	4WD	2967	171	233	06.07-11.08	■
3.0 V6 TDI 4motion (CARB)		Diesel	4WD	2967	176	240	11.08-03.16	■
3.0 V6 TDI 4motion (CEXA)		Diesel	4WD	2967	176	240	11.08-03.16	■