

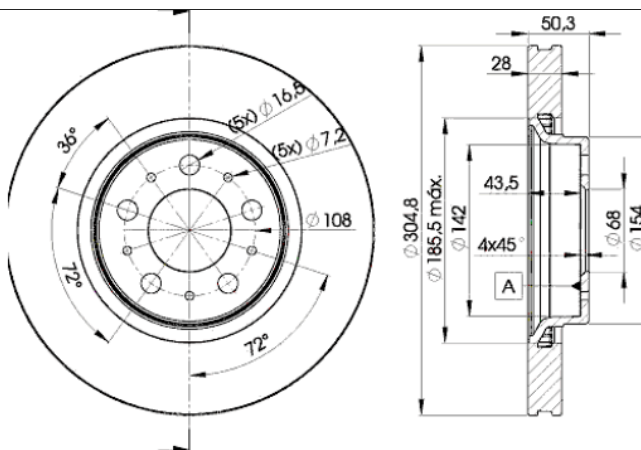
LISTA DE APLICACIONES - BUYERS GUIDE

78BD4045-2



Weight: 18.888

O.E.M.	MAKE
2 724 04	VOLVO
2 724 045	VOLVO
2 741 70	VOLVO
2 741 702	VOLVO
2 745 59	VOLVO
3 126 270 7	VOLVO
9 492 715	VOLVO



78BD4045-2

E1 90R-02C0433/0076



Ø305x28x50.3

MAKE
VOLVO



Trac.	CC	Kw	CV
-------	----	----	----



Front / Rear

VOLVO

							Saloon (Compact executive car-D Segment)			
S60 (384) 07.00-04.10										
2.0 T (B 5204 T5)	Rim 16	Gasolina	FWD	1984	132	180	07.00-04.10	■		
T5 (B 5234 T3)	Rim 16	Gasolina	FWD	2319	184	250	07.00-04.10	■		
T5 (B 5234 T7)	Rim 16	Gasolina	FWD	2319	195	265	07.00-09.02	■		
2.4		Gasolina	FWD	2401	191	260	02.04-04.10	■		
T5 (B 5244 T5)	Rim 16	Gasolina	FWD	2401	191	260	04.04-04.10	■		
2.4 (B 5244 S2)	Rim 16	Gasolina	FWD	2435	103	140	07.00-04.10	■		
2.4 (B 5244 S)	Rim 16	Gasolina	FWD	2435	125	170	11.00-04.10	■		
2.4 (B 5244 T4)		Gasolina	FWD	2435	132	180	01.05-10.06	■		
2.4 T (B 5244 T3)	Rim 16	Gasolina	FWD	2435	147	200	07.00-04.10	■		
2.4 T AWD (B 5244 T3)	Rim 16	Gasolina	4WD	2435	147	200	06.01-04.10	■		
2.5 T (B 5254 T2)	Rim 16	Gasolina	FWD	2521	154	210	01.03-04.10	■		
2.5 T AWD (B 5254 T2)	Rim 16	Gasolina	4WD	2521	154	210	07.02-04.10	■		
R 2,5 T AWD (B 5254 T4)	Rim 16	Gasolina	4WD	2521	221	300	01.03-04.10	■		
2.5		Gasolina	FWD	2521	224	300	09.03-04.10	■		
2.4 Bifuel (LPG) (B 5244 SG2)		Gasol./Gas (LPG)	FWD	2435	103	140	07.01-04.10	■		
2.4 Bifuel (CNG) (B 5244 SG)	Rim 16	Gasol./Gas (CNG)	FWD	2435	103	140	07.01-04.10	■		
2.4 D (D 5244 T7)	Rim 16	Diesel	FWD	2400	93	126	03.05-04.10	■		
2.4 CDI (D 5244 T3)		Diesel	FWD	2401	85	116	10.03-12.05	■		
2.4 D (D 5244 T6)		Diesel	FWD	2401	90	122	05.05-12.06	■		
2.4 D (D 5244 T2)	Rim 16	Diesel	FWD	2401	96	130	05.01-04.10	■		
D5 (D 5244 T)	Rim 16	Diesel	FWD	2401	120	163	01.01-04.10	■		

LISTA DE APLICACIONES - BUYERS GUIDE

D5 (D 5244 T4)	Rim 16	Diesel	FWD	2401	136	185	03.05-04.10	■	
S80 (184) 05.98-02.08					Saloon (Executive car-E Segment)				
2.0 (B 5204 T4)	Rim 16	Gasolina	FWD	1984	120	163	06.98-07.06	■	
2.0 T (B 5204 T5)	Rim 16	Gasolina	FWD	1984	132	180	12.99-07.06	■	
2.0 T (B 5204 T3)	Rim 16	Gasolina	FWD	1984	166	226	06.98-07.06	■	
2.3 R (B 5234 T7)	Rim 16	Gasolina	FWD	2319	195	265	04.00-08.05	■	
2.4 (B 5244 S2)	Rim 16	Gasolina	FWD	2435	103	140	01.99-07.06	■	
2.4 (B 5244 S)	Rim 16	Gasolina	FWD	2435	125	170	01.99-07.06	■	
2.4 LTP	Rim 16	Gasolina	FWD	2435	132	179	06.04-07.06	■	
2.4 T (B 5244 T3)	Rim 16	Gasolina	FWD	2435	147	200	06.00-07.06	■	
T5 AWD (B 5244 T3)	Rim 16	Gasolina	4WD	2435	147	200	04.00-09.03	■	
2.5 T (B 5254 T2)	Rim 16	Gasolina	FWD	2521	154	210	03.03-07.06	■	
2.5 T AWD (B 5254 T2)	Rim 16	Gasolina	4WD	2521	154	210	07.03-07.06	■	
T6 (B 6284 T)	Rim 16	Gasolina	FWD	2783	200	272	05.98-12.01	■	
2.9		Gasolina	FWD	2922	144	196	05.98-02.08	■	
3.0 (B 6294 S2)	Rim 16	Gasolina	FWD	2922	144	196	06.01-07.06	■	
2.9 (B 6294 S)	Rim 16	Gasolina	FWD	2922	147	200	03.99-07.06	■	
2.9 (B 6304 S3)	Rim 16	Gasolina	FWD	2922	150	204	05.98-07.06	■	
T6 (B 6294 T)	Rim 16	Gasolina	FWD	2922	200	272	06.01-07.06	■	
T6		Gasolina	FWD	2922	200	272	06.01-07.06	■	
2.4 Bifuel (LPG) (B 5244 SG)		Gasol./Gas (LPG)	FWD	2435	103	140	09.01-07.06	■	
2.4 Bifuel (CNG) (B 5244 SG2)	Rim 16	Gasol./Gas (CNG)	FWD	2435	103	140	09.01-07.06	■	
2.4 D (D 5244 T2)	Rim 16	Diesel	FWD	2401	96	131	10.01-07.06	■	
D5 (D 5244 T)	Rim 16	Diesel	FWD	2401	120	163	08.01-07.06	■	
2.5 TDI (D 5252 T)	Rim 16	Diesel	FWD	2460	103	140	01.99-07.06	■	
V70 II (285) 11.99-12.08					Estate (Executive car-E Segment)				
2.0 T (B 5204 T5)	Rim 16	Gasolina	FWD	1984	132	180	11.99-08.07	■	
T5 (B 5234 T3)	Rim 16	Gasolina	FWD	2319	184	250	11.99-12.04	■	
2.3	Rim 16	Gasolina	FWD	2319	195	265	10.00-09.04	■	
2.3 (B 5234 T7)	Rim 16	Gasolina	FWD	2319	195	265	10.00-09.04	■	
T5 (B 5244 T5)	Rim 16	Gasolina	FWD	2401	191	260	04.04-08.07	■	
2.4 (B 5244 S2)	Rim 16	Gasolina	FWD	2435	103	140	03.00-08.07	■	
2.4	Rim 16	Gasolina	FWD	2435	121	165	03.00-09.03	■	
2.4	Rim 16	Gasolina	FWD	2435	121	165	03.00-09.03	■	
2.4 (B 5244 S)	Rim 16	Gasolina	FWD	2435	125	170	03.00-08.07	■	
2.4 T (B 5244 T3)	Rim 16	Gasolina	FWD	2435	147	200	11.99-08.03	■	
2.4 T AWD (B 5244 T3)	Rim 16	Gasolina	4WD	2435	147	200	09.01-08.02	■	
2.5 T (B 5254 T2)	Rim 16	Gasolina	FWD	2521	154	209	07.01-08.07	■	
2.5 T AWD (B 5254 T2)	Rim 16	Gasolina	4WD	2521	154	209	07.02-08.07	■	
2.5 AWD (B 5254 T2)		Gasolina	4WD	2521	155	211	09.02-12.04	■	
2.5 R Sport	Rim 16	Gasolina	FWD	2521	221	300	12.02-08.07	■	
R 2,5 T AWD (B 5254 T4)	Rim 16	Gasolina	4WD	2521	221	300	03.03-08.07	■	
2.4 Bifuel (LPG) (B 5244 SG2)		Gasol./Gas (LPG)	FWD	2435	103	140	09.01-08.07	■	
2.4 Bifuel (CNG) (B 5244 SG)	Rim 16	Gasol./Gas (CNG)	FWD	2435	103	140	09.01-08.07	■	
2.4 D (D 5244 T7)	Rim 16	Diesel	FWD	2400	93	126	04.05-12.08	■	
2.4 D5	Rim 16	Diesel	FWD	2400	120	163	08.05-07.07	■	
2.4 CDI (D 5244 T6)		Diesel	FWD	2401	90	122	07.05-12.08	■	
2.4 D (D 5244 T2)	Rim 16	Diesel	FWD	2401	96	131	07.01-08.07	■	

LISTA DE APLICACIONES - BUYERS GUIDE

D5 (D 5244 T)	Rim 16	Diesel	FWD	2401	120	163	01.01-12.08	■	
D5 (D 5244 T2)	Rim 16	Diesel	FWD	2401	120	163	01.01-12.08	■	
D5 (D 5244 T5)	Rim 16	Diesel	FWD	2401	120	163	01.01-12.08	■	
D5 AWD (D 5244 T)	Rim 16	Diesel	4WD	2401	120	163	07.02-08.07	■	
D5 AWD (D 5244 T2)	Rim 16	Diesel	4WD	2401	120	163	07.02-08.07	■	
D5 AWD (D 5244 T5)	Rim 16	Diesel	4WD	2401	120	163	07.02-08.07	■	
D5 (D 5244 T4)	Rim 16	Diesel	FWD	2401	136	185	04.05-12.08	■	
D5 AWD (D 5244 T4)	Rim 16	Diesel	4WD	2401	136	185	05.05-08.07	■	
2.5 TDI (D 5252 T)	Rim 16	Diesel	FWD	2460	103	140	11.99-08.07	■	
XC70 CROSS COUNTRY / V70 XC (295) 10.97-10.07							Estate (Executive car-E Segment)		
2.4	Rim 16	Gasolina	FWD	2435	121	165	03.00-09.03	■	
2.4 T XC AWD (B 5254 T)	Rim 16	Gasolina	4WD	2435	142	193	11.97-09.02	■	
2.4 T XC AWD (B 5244 T3)	Rim 16	Gasolina	4WD	2435	147	200	03.00-09.02	■	
2.5 T XC AWD (B 5254 T2)	Rim 16	Gasolina	4WD	2521	154	209	09.02-08.07	■	
D5 XC AWD (D 5244 T)	Rim 16	Diesel	4WD	2401	120	163	09.02-08.07	■	
D5 AWD (D 5244 T4)	Rim 16	Diesel	4WD	2401	136	185	12.05-08.07	■	