

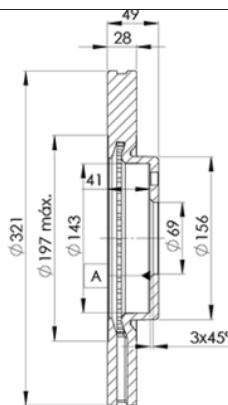
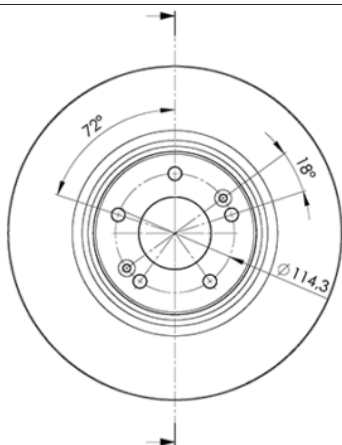
LISTA DE APLICACIONES - BUYERS GUIDE

78BD4051-2



Weight: 21.408

O.E.M.	MAKE
51712-2B700	HYUNDAI
51712-2P700	KIA



78BD4051-2

E1 90R-02C0452/0130



Ø320x28x50

MAKE
HYUNDAI
HYUNDAI (HUATAI)
INOKOM
KIA



Trac.	CC	Kw	CV
-------	----	----	----



Front / Rear

HYUNDAI

ix55 / VERACRUZ 09.06-

SUV (Compact SUV-J Segment)

3.8 V6 4WD (G6DA)	Gasolina	4WD	3778	191	260	01.07-11.12	■
3.8 V6 (G6DA)	Gasolina	FWD	3778	194	264	01.11-11.12	■
3.8 V6 4WD (G6DA)	Gasolina	4WD	3778	194	264	01.11-11.12	■
3.8 V6 4WD (G6DA)	Gasolina	4WD	3778	199	271	01.08-11.12	■
3.0 V6 CRDi 4WD (D6EA)	Diesel	4WD	2959	176	239	09.08-12.11	■
3.0 V6 CRDi 4WD	Diesel	4WD	2959	180	245	11.08-11.12	■
3.0 V6 CRDi 4WD (D6EA)	Diesel	4WD	2959	184	250	09.11-12.12	■

SANTA FE (SM) 11.00-03.06

SUV (Executive SUV-J Segment)

2.7 (G6BA)	Gasolina	FWD	2656	129	175	08.04-03.06	■
2.7	Gasolina	FWD	2656	139	189	10.05-03.06	■
2.7	Gasolina	FWD	2656	139	189	10.05-03.06	■
2.2 CRDi	Diesel	RWD	2188	110	150	10.05-03.06	■

SANTA FE II (CM) 10.05-03.15

SUV Van (Executive SUV-J Segment)

CRDi 4x4	Diesel	4WD	2188	110	150	11.05-12.11	■
CRDi	Diesel	FWD	2188	114	155	09.06-12.11	■
CRDi 4x4	Diesel	4WD	2188	114	155	09.06-12.11	■
CRDi	Diesel	FWD	2199	145	197	01.09-05.13	■
CRDi 4x4	Diesel	4WD	2199	145	197	01.09-05.13	■

SANTA FE II (CM) 01.05-03.15

SUV (Executive SUV-J Segment)

2.4 (G4KE)	Gasolina	FWD	2359	128	174	11.10-12.12	■
2.4 4x4 (G4KE)	Gasolina	4WD	2359	128	174	07.10-12.12	■
2.4	Gasolina	FWD	2359	130	177	09.09-12.12	■

LISTA DE APLICACIONES - BUYERS GUIDE

2.4 AWD (G4KE)		Gasolina	4WD	2359	130	177	09.09-12.12	■
2.7 (G6EA)		Gasolina	FWD	2656	125	170	03.06-12.12	■
2.7 4x4 (G6EA)		Gasolina	4WD	2656	125	170	03.06-12.12	■
2.7 V6 GLS (G6EA)		Gasolina	FWD	2656	139	189	03.06-12.09	■
2.7 V6 GLS 4x4 (G6EA)		Gasolina	4WD	2656	139	189	03.06-12.09	■
2.7 4x4 (G6EA)		Gasolina	4WD	2656	147	200	01.07-12.12	■
3.3 Dynamic 4x4		Gasolina	4WD	3342	173	235	03.06-12.12	■
3.3		Gasolina	FWD	3342	180	245	07.07-01.09	■
3.5 4x4 (G6DC)		Gasolina	4WD	3470	206	280	09.09-12.12	■
3.5 4x4 (G6DC)		Gasolina	4WD	3470	210	286	07.10-12.12	■
2.0 CRDi (D4HA)		Diesel	FWD	1995	110	150	12.10-12.12	■
2.0 CRDi 4x4 (D4HA)		Diesel	4WD	1995	110	150	12.10-12.12	■
2.2 CRDi (D4EB)		Diesel	FWD	2188	102	139	03.06-12.12	■
2.2 CRDi 4x4 (D4EB)		Diesel	4WD	2188	102	139	03.06-12.12	■
2.2 CRDi		Diesel	RWD	2188	110	150	10.05-03.06	■
2.2 CRDi GLS (D4EB)		Diesel	FWD	2188	110	150	03.06-12.09	■
2.2 CRDi GLS 4x4 (D4EB)		Diesel	4WD	2188	110	150	03.06-12.09	■
2.2 CRDi (D4EB)		Diesel	FWD	2188	114	155	03.06-12.09	■
2.2 CRDi 4x4 (D4EB)		Diesel	4WD	2188	114	155	03.06-12.09	■
2.2 CRDi (D4HB)		Diesel	FWD	2199	145	197	01.09-12.12	■
2.2 CRDi 4x4 (D4HB)		Diesel	4WD	2199	145	197	01.09-12.12	■
SANTA FE III (DM, DMA) 09.12-				SUV (Executive SUV-J Segment)				
2.0		Gasolina	FWD	1998	197	268	09.12-12.18	■
2.4 CCVT (G4KE)		Gasolina	FWD	2359	126	171	06.15-12.18	■
2.4 CCVT AWD (G4KE)		Gasolina	4WD	2359	126	171	06.15-10.18	■
3.0 GDi		Gasolina	FWD	2999	194	264	01.13-12.18	■
3.0 GDi 4WD		Gasolina	4WD	2999	194	264	01.13-12.18	■
3.3 4WD (G6DF)		Gasolina	4WD	3342	199	270	03.14-12.19	■
2.2 CRDi AWD		Diesel	4WD	2199	142	193	07.18-12.18	■
2.2 CRDi		Diesel	FWD	2199	149	202	06.15-12.18	■
2.2 CRDi 4WD		Diesel	4WD	2199	149	202	06.15-12.18	■
SANTA FE IV (TM) 02.18-				SUV Van (Executive SUV-J Segment)				
2.2 CRDi (D4HB)		Diesel	FWD	2199	147	200	07.18-11.20	■
2.2 CRDi AWD (D4HB)		Diesel	4WD	2199	147	200	07.18-11.20	■
SANTA FE IV (TM, TMA) 02.18-				SUV (Executive SUV-J Segment)				
2.0 AWD		Gasolina	4WD	1998	173	235	02.18-	■
2.0 T-GDI (G4KH)		Gasolina	FWD	1998	173	235	02.18-	■
2.4 (G4KE)		Gasolina	FWD	2359	127	173	07.18-	■
2.4 AWD (G4KE)		Gasolina	4WD	2359	127	173	07.18-07.20	■
2.4 GDI		Gasolina	FWD	2359	136	185	07.18-	■
2.4 GDI AWD (G4KJ)		Gasolina	4WD	2359	136	185	07.18-07.20	■
2.4 GDI AWD (G4KJ)		Gasolina	4WD	2359	138	188	07.18-07.20	■
3.5 MPI AWD (G6DC)		Gasolina	4WD	3470	183	249	07.19-07.20	■
3.5 MPI AWD (G6DC)		Gasolina	4WD	3470	206	280	07.18-	■
2.0 CRDi (D4HA)		Diesel	FWD	1995	110	150	07.18-07.20	■
2.0 CRDi AWD (D4HA)		Diesel	4WD	1995	110	150	07.18-07.20	■
2.0 CRDi (D4HA)		Diesel	FWD	1995	137	186	02.18-07.20	■
2.0 CRDi AWD (D4HA)		Diesel	4WD	1995	137	186	02.18-07.20	■
2.2 CRDi (D4HB)		Diesel	FWD	2199	147	200	07.18-11.20	■
2.2 CRDi AWD (D4HB)		Diesel	4WD	2199	147	200	07.18-11.20	■

LISTA DE APLICACIONES - BUYERS GUIDE

2.2 CRDi		Diesel	FWD	2199	149	203	02.18-	■
2.2 CRDi AWD (D4HB)		Diesel	4WD	2199	149	203	02.18-	■
HYUNDAI (HUATAI)								
SANTA FE 10.06-						Closed Off-Road Vehicle (Executive SUV-J Segment)		
1.8		Gasolina	FWD	1796	110	148	10.06-	■
2.0		Gasolina	FWD	1997	93	126	11.10-	■
2.7		Gasolina	FWD	2656	128	172	10.06-	■
2.0 D		Diesel	RWD	1991	93	125	10.06-	■
INOKOM								
SANTA FE (CM) 09.06-						SUV (Executive SUV-J Segment)		
2.7 (G6EA)		Gasolina	FWD	2656	138	188	09.06-12.12	■
2.7 AWD (G6EA)		Gasolina	4WD	2656	138	188	09.06-12.12	■
2.2 CRDi (D4EB)		Diesel	FWD	2188	110	150	09.06-12.12	■
2.2 CRDi AWD (D4EB)		Diesel	4WD	2188	110	150	09.06-12.12	■
KIA								
SORENTO II (XM) 06.09-12.15						SUV Van (Compact SUV-J Segment)		
CVVT		Gasolina	FWD	2359	128	174	06.09-12.15	■
CVVT 4WD		Gasolina	4WD	2359	128	174	06.09-12.15	■
CRDi		Diesel	FWD	2199	145	197	11.09-12.15	■
CRDi 4WD		Diesel	4WD	2199	145	197	11.09-12.15	■
SORENTO II (XM) 09.09-						SUV (Compact SUV-J Segment)		
2.4 CVVT (G4KE)		Gasolina	FWD	2359	128	174	11.09-12.15	■
2.4 CVVT 4WD (G4KE)		Gasolina	4WD	2359	128	174	11.09-12.15	■
2.4		Gasolina	FWD	2359	130	177	09.10-12.12	■
2.4 AWD		Gasolina	4WD	2359	130	177	09.10-12.12	■
2.4 GDI		Gasolina	FWD	2359	142	193	09.13-	■
3.3 GDI		Gasolina	FWD	3342	216	294	09.13-	■
3.5		Gasolina	FWD	3470	203	276	11.09-12.15	■
3.5 4WD (G6DC)		Gasolina	4WD	3470	203	276	11.09-12.15	■
3.5 4WD (G6DC)		Gasolina	4WD	3470	204	278	05.13-12.15	■
3.5		Gasolina	FWD	3470	206	280	09.10-12.13	■
3.5 4WD		Gasolina	4WD	3470	206	280	01.11-12.15	■
2.7 LPI		Gasol./Gas (LPG)	FWD	2656	119	162	11.09-12.15	■
2.0 CRDi (D4HA)		Diesel	FWD	1995	110	150	11.10-12.15	■
2.0 CRDi 4WD (D4HA)		Diesel	4WD	1995	110	150	11.10-12.15	■
2.0 CRDi 4WD		Diesel	4WD	1995	135	184	11.09-12.15	■
2.2 CRDi (D4HB)		Diesel	FWD	2199	145	197	11.09-12.15	■
2.2 CRDi 4WD (D4HB)		Diesel	4WD	2199	145	197	11.09-12.15	■
2.2 CRDi (D4HB)		Diesel	FWD	2199	147	200	11.09-12.15	■
2.2 CRDi 4WD (D4HB)		Diesel	4WD	2199	147	200	11.09-12.15	■
SORENTO III (UM) 01.15-						SUV (Compact SUV-J Segment)		
2.0 GDI (G4KH)		Gasolina	FWD	1998	177	241	01.15-12.18	■
2.4 (G4KE)		Gasolina	FWD	2359	126	172	01.15-02.20	■
2.4 4WD (G4KE)		Gasolina	4WD	2359	126	172	01.15-10.20	■
2.4 (G4KE)		Gasolina	FWD	2359	128	174	01.15-12.20	■
2.4 (G4KE)		Gasolina	FWD	2359	129	175	01.15-12.20	■
2.4 4WD (G4KE)		Gasolina	4WD	2359	129	175	01.15-12.20	■
2.4 GDI (G4KJ)		Gasolina	FWD	2359	138	188	01.15-10.18	■
2.4 GDI 4WD (G4KJ)		Gasolina	4WD	2359	138	188	01.15-10.18	■

LISTA DE APLICACIONES - BUYERS GUIDE

3.3 (G6DF)	Gasolina	FWD	3342	196	266	01.15-12.20	■
3.3 4WD	Gasolina	4WD	3342	196	266	01.15-12.20	■
3.3	Gasolina	FWD	3342	199	271	04.15-12.18	■
3.3 4WD	Gasolina	4WD	3342	199	271	04.15-12.18	■
3.5 D-CVVT (G6DC)	Gasolina	FWD	3470	183	249	12.18-12.20	■
3.5 D-CVVT 4WD (G6DC)	Gasolina	4WD	3470	183	249	12.18-12.20	■
3.5 D-CVVT (G6DC)	Gasolina	FWD	3470	203	276	07.17-12.20	■
3.5 D-CVVT 4WD (G6DC)	Gasolina	4WD	3470	203	276	07.17-12.20	■
3.5 D-CVVT (G6DC)	Gasolina	FWD	3470	206	280	07.17-12.20	■
2.0 CRDi 4WD (D4HA)	Diesel	4WD	1995	136	185	07.15-12.20	■
2.0 CRDi	Diesel	FWD	1995	137	186	07.15-12.20	■
2.0 CRDi 4WD	Diesel	4WD	1995	137	186	07.15-12.20	■
2.2 CRDi 4WD (D4HB)	Diesel	4WD	2199	142	193	11.16-12.20	■
2.2 CRDi	Diesel	FWD	2199	143	194	01.15-12.20	■
2.2 CRDi 4WD (D4HB)	Diesel	4WD	2199	145	197	11.16-12.20	■
2.2 CRDi (D4HB)	Diesel	FWD	2199	147	200	01.15-08.20	■
2.2 CRDi 4WD (D4HB)	Diesel	4WD	2199	147	200	01.15-08.20	■
2.2 CRDi 4WD (D4HB)	Diesel	4WD	2199	149	202	01.15-12.20	■