

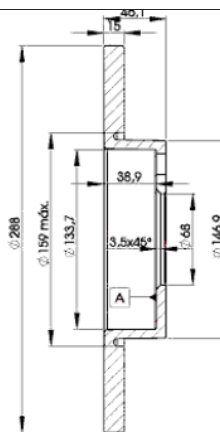
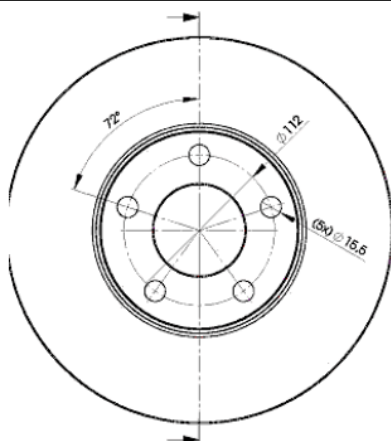
# LISTA DE APLICACIONES - BUYERS GUIDE

## 78BD4061-2



Weight: 13.040

O.E.M.	MAKE
4A0 615 301 B	VW



## 78BD4061-2

**E1 90R-02C0415/0092**



Ø288x15x46.2

MAKE
AUDI



Trac.	CC	Kw	CV
-------	----	----	----



Front / Rear

### AUDI

#### 100 IV C4 (4A2) 12.90-04.96

#### Saloon (Executive car-E Segment)

2.0 (AAE)		Gasolina	FWD	1984	74	100	12.90-07.94	■
2.0 E (AAD)		Gasolina	FWD	1984	85	115	12.90-07.94	■
2.0 E (ABK)		Gasolina	FWD	1984	85	115	12.90-07.94	■
2.0 E quattro (AAD)		Gasolina	4WD	1984	85	115	12.90-07.92	■
2.0 E 16V (ACE)		Gasolina	FWD	1984	103	140	01.92-07.94	■
2.0 E 16V quattro (ACE)		Gasolina	4WD	1984	103	140	07.92-07.94	■
2.3 E (AAR)		Gasolina	FWD	2309	98	133	12.90-07.94	■
2.3 E quattro (AAR)		Gasolina	4WD	2309	98	133	12.90-07.94	■
2.4 D (AAS)		Diesel	FWD	2370	60	82	12.90-07.94	■
2.5 TDI (AAT)		Diesel	FWD	2461	85	115	12.90-07.94	■
2.5 TDI (ABP)		Diesel	FWD	2461	85	115	12.90-07.94	■

#### 100 IV C4 Avant (4A5) 12.90-11.94

#### Estate (Executive car-E Segment)

1.6		Gasolina	FWD	1595	87	118	03.92-07.93	■
2.0 E (AAE)		Gasolina	FWD	1984	74	100	09.91-07.94	■
2.0 E (AAD)		Gasolina	FWD	1984	85	115	09.91-07.94	■
2.0 E (ABK)		Gasolina	FWD	1984	85	115	09.91-07.94	■
2.0 E quattro (AAD)		Gasolina	4WD	1984	85	115	12.90-07.92	■
2.0 E 16V (ACE)		Gasolina	FWD	1984	103	140	07.92-07.94	■
2.0 E 16V quattro (ACE)		Gasolina	4WD	1984	103	140	07.92-07.94	■
2.3 E (AAR)		Gasolina	FWD	2309	98	133	09.91-07.94	■
2.3 E quattro (AAR)		Gasolina	4WD	2309	98	133	09.91-07.94	■
2.4 D (AAS)	02/91-	Diesel	FWD	2370	60	82	12.90-07.94	■
2.5 TDI (AAT)		Diesel	FWD	2461	85	115	12.90-07.94	■

# LISTA DE APLICACIONES - BUYERS GUIDE

2.5 TDI (ABP)		Diesel	FWD	2461	85	115	12.90-07.94	■
<b>A4 B5 (8D2) 11.94-12.01</b>					<b>Saloon (Compact executive car-D Segment)</b>			
1.8 (AFY)	-10/96	Gasolina	FWD	1781	85	115	04.95-11.00	■
1.8 quattro (AFY)	-01/99	Gasolina	4WD	1781	85	115	07.95-11.00	■
1.8 (ADR)	-10/96	Gasolina	FWD	1781	92	125	11.94-11.00	■
1.8 (APT)	-10/96	Gasolina	FWD	1781	92	125	11.94-11.00	■
1.8 (ARG)	-10/96	Gasolina	FWD	1781	92	125	11.94-11.00	■
1.8 (AVV)	-10/96	Gasolina	FWD	1781	92	125	11.94-11.00	■
1.8	-10/96	Gasolina	FWD	1781	95	129	01.95-11.00	■
<b>A4 B5 Avant (8D5) 11.94-12.02</b>					<b>Estate (Compact executive car-D Segment)</b>			
1.8 (AFY)	-09/96	Gasolina	FWD	1781	85	115	07.95-09.01	■
1.8 quattro (AFY)	-01/99	Gasolina	4WD	1781	85	115	07.95-09.01	■
1.8 (ADR)	-09/96	Gasolina	FWD	1781	92	125	02.96-09.01	■
1.8 (APT)	-09/96	Gasolina	FWD	1781	92	125	02.96-09.01	■
1.8 (ARG)	-09/96	Gasolina	FWD	1781	92	125	02.96-09.01	■
1.8 (AVV)	-09/96	Gasolina	FWD	1781	92	125	02.96-09.01	■
2.4		Gasolina	FWD	2393	110	150	07.95-07.97	■
2.8 (ATX)		Gasolina	FWD	2771	140	190	03.99-09.00	■
2.8 quattro (ATX)		Gasolina	4WD	2771	140	190	03.99-09.00	■
<b>A6 C4 Avant (4A5) 06.94-01.98</b>					<b>Estate (Executive car-E Segment)</b>			
1.8 (ADR)		Gasolina	FWD	1781	92	125	12.95-12.97	■
1.8 quattro (ADR)		Gasolina	4WD	1781	92	125	12.95-12.97	■
2.0 (AAE)		Gasolina	FWD	1984	74	100	06.94-12.97	■
2.0		Gasolina	FWD	1984	79	107	08.95-07.96	■
2.0 (ADW)		Gasolina	FWD	1984	79	107	06.94-07.95	■
2.0 (ABK)		Gasolina	FWD	1984	85	115	06.94-12.97	■
2.0 16V (ACE)		Gasolina	FWD	1984	103	140	06.94-12.97	■
2.0 16V quattro (ACE)		Gasolina	4WD	1984	103	140	06.94-12.97	■
2.3 (AAR)		Gasolina	FWD	2309	98	133	06.94-12.95	■
2.3 quattro (AAR)		Gasolina	4WD	2309	98	133	06.94-12.95	■
1.9 TDI (1Z)		Diesel	FWD	1896	66	90	06.94-12.97	■
1.9 TDI (AHU)		Diesel	FWD	1896	66	90	06.94-12.97	■
2.5 TDI		Diesel	FWD	2461	84	114	01.95-12.97	■
2.5 TDI (AAT)		Diesel	FWD	2461	85	116	06.94-12.97	■
2.5 TDI (AEL)		Diesel	FWD	2461	103	140	08.94-12.97	■
2.5 TDI quattro (AEL)		Diesel	4WD	2461	103	140	07.95-12.97	■
<b>A6 C4 (4A2) 06.94-01.98</b>					<b>Saloon (Executive car-E Segment)</b>			
1.8 (ADR)		Gasolina	FWD	1781	92	125	12.95-10.97	■
1.8 quattro (ADR)		Gasolina	4WD	1781	92	125	12.95-10.97	■
2.0 (AAE)		Gasolina	FWD	1984	74	100	06.94-10.97	■
2.0 (ADW)		Gasolina	FWD	1984	79	107	06.94-07.95	■
2.0 (ABK)		Gasolina	FWD	1984	85	115	06.94-10.97	■
2.0 16V (ACE)		Gasolina	FWD	1984	103	140	06.94-10.97	■
2.0 16V quattro (ACE)		Gasolina	4WD	1984	103	140	06.94-10.97	■
2.3 (AAR)		Gasolina	FWD	2309	98	133	06.94-12.95	■
2.3 quattro (AAR)		Gasolina	4WD	2309	98	133	06.94-12.95	■