

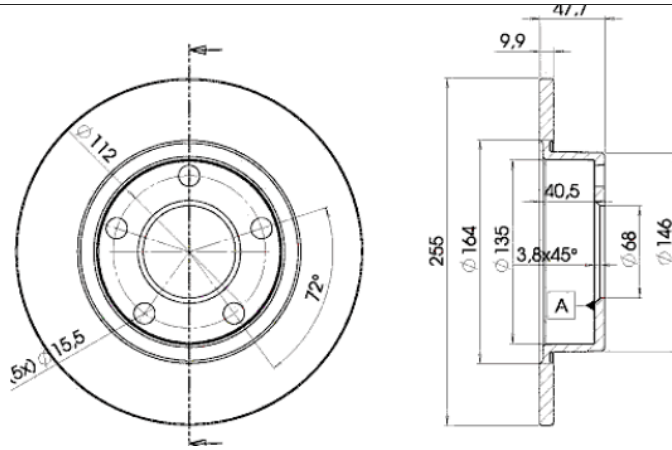
# LISTA DE APLICACIONES - BUYERS GUIDE

## 78BD4062-2



Weight: 7.404

O.E.M.	MAKE
4B0 615 601 B	VW



## 78BD4062-2

**E1** 90R-02C0415/0005



Ø255x10x47.8

MAKE
AUDI



Trac.	CC	Kw	CV
-------	----	----	----



Front / Rear

### AUDI

#### A6 II C5 Avant (4B5, 4B6) 11.97-01.06

#### Estate (Executive car-E Segment)

Model	Code	Fuel	Drivetrain	CC	Kw	CV	Year Range	Position
1.8 T quattro (AEB)	PR 0N6	Gasolina	4WD	1781	110	150	12.97-01.05	■
1.8 T quattro (ANB)	PR 0N6	Gasolina	4WD	1781	110	150	12.97-01.05	■
1.8 T quattro (APU)	PR 0N6	Gasolina	4WD	1781	110	150	12.97-01.05	■
1.8 T quattro (ARK)	PR 0N6	Gasolina	4WD	1781	110	150	12.97-01.05	■
1.8 T quattro (AWT)	PR 0N6	Gasolina	4WD	1781	110	150	12.97-01.05	■
1.8 T quattro (AJL)	PR 0N6	Gasolina	4WD	1781	132	180	12.97-01.05	■
2.4 quattro (AJG)	PR 0N6	Gasolina	4WD	2393	120	163	12.97-01.05	■
2.4 quattro (APZ)	PR 0N6	Gasolina	4WD	2393	120	163	12.97-01.05	■
2.4 quattro (AGA)	PR 0N6	Gasolina	4WD	2393	121	165	12.97-01.05	■
2.4 quattro (ALF)	PR 0N6	Gasolina	4WD	2393	121	165	12.97-01.05	■
2.4 quattro (AML)	PR 0N6	Gasolina	4WD	2393	121	165	12.97-01.05	■
2.4 quattro (APS)	PR 0N6	Gasolina	4WD	2393	121	165	12.97-01.05	■
2.4 quattro (ARJ)	PR 0N6	Gasolina	4WD	2393	121	165	12.97-01.05	■
2.4 quattro (BDV)	PR 0N6	Gasolina	4WD	2393	125	170	08.01-01.05	■
2.7 T quattro (AJK)	PR 0N6	Gasolina	4WD	2671	169	230	12.97-01.05	■
2.7 T quattro (AZA)	PR 0N6	Gasolina	4WD	2671	169	230	12.97-01.05	■
2.7 T quattro (ARE)		Gasolina	4WD	2671	184	250	08.01-01.05	■
2.7 T quattro (BES)		Gasolina	4WD	2671	184	250	08.01-01.05	■
2.8 quattro		Gasolina	4WD	2771	140	190	08.98-04.01	■
2.8 quattro (ACK)	PR 0N6	Gasolina	4WD	2771	142	193	12.97-01.05	■
2.8 quattro (ALG)	PR 0N6	Gasolina	4WD	2771	142	193	12.97-01.05	■
2.8 quattro (AMX)	PR 0N6	Gasolina	4WD	2771	142	193	12.97-01.05	■
2.8 quattro (APR)	PR 0N6	Gasolina	4WD	2771	142	193	12.97-01.05	■

# LISTA DE APLICACIONES - BUYERS GUIDE

2.8 quattro (AQD)	PR 0N6	Gasolina	4WD	2771	142	193	12.97-01.05	■
2.8 quattro (ATQ)	PR 0N6	Gasolina	4WD	2771	142	193	12.97-01.05	■
3.0 quattro (ASN)		Gasolina	4WD	2976	162	220	08.01-01.05	■
2.5 TDI quattro (AFB)	PR 0N6	Diesel	4WD	2496	110	150	12.97-01.05	■
2.5 TDI quattro (AKN)	PR 0N6	Diesel	4WD	2496	110	150	12.97-01.05	■
<b>A6 II C5 (4B2, 4B4) 01.97-12.05</b>				<b>Saloon (Executive car-E Segment)</b>				
1.8 T (AEB)	PR 0N6	Gasolina	FWD	1781	110	150	01.97-01.05	■
1.8 T (ANB)	PR 0N6	Gasolina	FWD	1781	110	150	01.97-01.05	■
1.8 T (APU)	PR 0N6	Gasolina	FWD	1781	110	150	01.97-01.05	■
1.8 T (ARK)	PR 0N6	Gasolina	FWD	1781	110	150	01.97-01.05	■
1.8 T (AWT)	PR 0N6	Gasolina	FWD	1781	110	150	01.97-01.05	■
1.8 T quattro (AEB)	PR 0N6	Gasolina	4WD	1781	110	150	02.97-01.05	■
1.8 T quattro (ANB)	PR 0N6	Gasolina	4WD	1781	110	150	02.97-01.05	■
1.8 T quattro (APU)	PR 0N6	Gasolina	4WD	1781	110	150	02.97-01.05	■
1.8 T quattro (ARK)	PR 0N6	Gasolina	4WD	1781	110	150	02.97-01.05	■
1.8 T quattro (AWT)	PR 0N6	Gasolina	4WD	1781	110	150	02.97-01.05	■
2.4 quattro (AJG)	PR 0N6	Gasolina	4WD	2393	120	163	02.97-01.05	■
2.4 quattro (APZ)	PR 0N6	Gasolina	4WD	2393	120	163	02.97-01.05	■
2.4 quattro (AGA)	PR 0N6	Gasolina	4WD	2393	121	165	02.97-01.05	■
2.4 quattro (ALF)	PR 0N6	Gasolina	4WD	2393	121	165	02.97-01.05	■
2.4 quattro (AML)	PR 0N6	Gasolina	4WD	2393	121	165	02.97-01.05	■
2.4 quattro (APS)	PR 0N6	Gasolina	4WD	2393	121	165	02.97-01.05	■
2.4 quattro (ARJ)	PR 0N6	Gasolina	4WD	2393	121	165	02.97-01.05	■
2.4 quattro (BDV)	PR 0N6	Gasolina	4WD	2393	125	170	08.01-01.05	■
2.7 T quattro (AJK)	PR 0N6	Gasolina	4WD	2671	169	230	12.97-01.05	■
2.7 T quattro (AZA)	PR 0N6	Gasolina	4WD	2671	169	230	12.97-01.05	■
2.7 T quattro (ARE)		Gasolina	4WD	2671	184	250	08.01-01.05	■
2.7 T quattro (BES)		Gasolina	4WD	2671	184	250	08.01-01.05	■
2.7 quattro (APB)		Gasolina	4WD	2671	187	254	05.01-07.04	■
2.7 quattro (BEL)		Gasolina	4WD	2671	187	254	05.01-07.04	■
2.8 quattro (ACK)	PR 0N6	Gasolina	4WD	2771	142	193	02.97-01.05	■
2.8 quattro (ALG)	PR 0N6	Gasolina	4WD	2771	142	193	02.97-01.05	■
2.8 quattro (AMX)	PR 0N6	Gasolina	4WD	2771	142	193	02.97-01.05	■
2.8 quattro (APR)	PR 0N6	Gasolina	4WD	2771	142	193	02.97-01.05	■
2.8 quattro (AQD)	PR 0N6	Gasolina	4WD	2771	142	193	02.97-01.05	■
2.8 quattro (ATQ)	PR 0N6	Gasolina	4WD	2771	142	193	02.97-01.05	■
3.0 quattro (ASN)		Gasolina	4WD	2976	162	220	08.01-01.05	■
<b>ALLROAD C5 (4BH) 05.00-08.05</b>				<b>Estate (Executive SUV-J Segment)</b>				
2.7 T quattro (ARE)		Gasolina	4WD	2671	184	250	05.00-08.05	■
2.7 T quattro (BES)		Gasolina	4WD	2671	184	250	05.00-08.05	■
2.7 quattro (APB)		Gasolina	4WD	2671	187	254	09.00-08.05	■
2.7 quattro (BEL)		Gasolina	4WD	2671	187	254	09.00-08.05	■
2.5 TDI quattro (BCZ)		Diesel	4WD	2496	120	163	05.03-08.05	■
2.5 TDI quattro (AKE)		Diesel	4WD	2496	132	180	05.00-08.05	■
2.5 TDI quattro (BAU)		Diesel	4WD	2496	132	180	05.00-08.05	■