

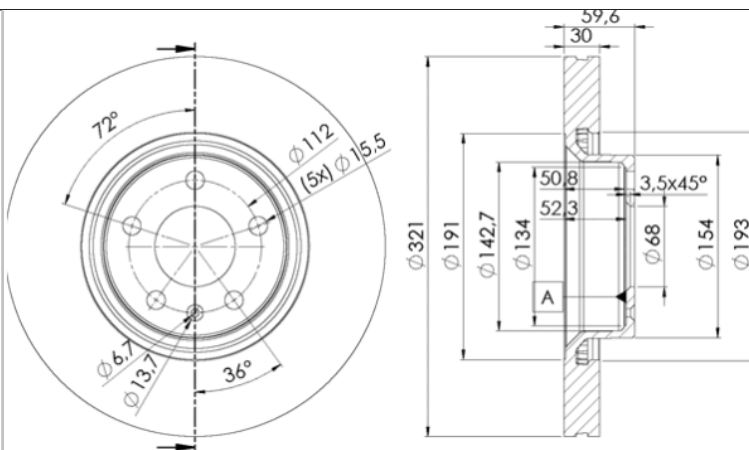
LISTA DE APLICACIONES - BUYERS GUIDE

78BD4085-2



Weight: 21.736

O.E.M.	MAKE
4E0615301AD	AUDI (FAW)
4F0 615 301 E	AUDI



78BD4085-2

E1 90R-02C0433/0128



Ø321x30x59.5

MAKE
AUDI
AUDI (FAW)



Trac.	CC	Kw	CV	Front / Rear
-------	----	----	----	--------------

AUDI

A6 III C6 Avant (4F5) 11.04-08.11				Estate (Executive car-E Segment)				
2.4 (BDW)		Gasolina	FWD	2393	130	177	03.05-10.08	■
2.4 quattro (BDW)		Gasolina	4WD	2393	130	177	03.05-10.08	■
2.8 FSI (CCDA)	PR 1LG	Gasolina	FWD	2773	140	190	10.08-08.11	■
2.8 FSI quattro (CCDA)	PR 1LG	Gasolina	4WD	2773	140	190	10.08-08.11	■
2.8 FSI (BDX)		Gasolina	FWD	2773	154	210	11.06-10.08	■
2.8 FSI quattro (BDX)		Gasolina	4WD	2773	154	210	06.07-10.08	■
2.8 FSI (CCEA)	PR 1LG	Gasolina	FWD	2773	162	220	10.08-08.11	■
2.8 FSI quattro (CCEA)	PR 1LG	Gasolina	4WD	2773	162	220	10.08-08.11	■
3.0 (BBJ)		Gasolina	FWD	2976	160	218	03.05-05.06	■
3.0 quattro (BBJ)		Gasolina	4WD	2976	160	218	03.05-05.06	■
3.0 TFSI quattro (CAJA)	PR 1LG	Gasolina	4WD	2995	213	290	10.08-08.11	■
3.0 TFSI quattro (CCAA)	PR 1LG	Gasolina	4WD	2995	220	299	10.08-08.11	■
3.2 FSI (AUK)		Gasolina	FWD	3123	188	255	03.05-10.08	■
3.2 FSI quattro (AUK)		Gasolina	4WD	3123	188	255	03.05-10.08	■
3.2 FSI quattro (BKH)		Gasolina	4WD	3123	188	255	03.05-10.08	■
4.2 FSI quattro (BVJ)	PR 1LD, PR 1LG	Gasolina	4WD	4163	257	350	06.06-08.11	■
2.0 TDI (CAHA)	PR 1LG	Diesel	FWD	1968	125	170	10.08-08.11	■
2.7 TDI (BSG)		Diesel	FWD	2698	120	163	03.05-08.11	■
2.7 TDI (CANB)		Diesel	FWD	2698	120	163	03.05-08.11	■
2.7 TDI quattro (BSG)		Diesel	4WD	2698	120	163	06.05-08.11	■
2.7 TDI quattro (CAND)		Diesel	4WD	2698	120	163	06.05-08.11	■
2.7 TDI (BPP)		Diesel	FWD	2698	132	180	03.05-10.08	■
2.7 TDI quattro (BPP)		Diesel	4WD	2698	132	180	11.04-10.08	■

LISTA DE APLICACIONES - BUYERS GUIDE

3.0 TDI quattro (BNG)		Diesel	4WD	2967	155	211	03.05-08.11	■	
3.0 TDI quattro (CDYB)		Diesel	4WD	2967	155	211	03.05-08.11	■	
3.0 TDI quattro (BMK)		Diesel	4WD	2967	165	225	03.05-05.06	■	
3.0 TDI		Diesel	FWD	2967	171	232	06.06-08.11	■	
3.0 TDI quattro (ASB)		Diesel	4WD	2967	171	233	06.06-10.08	■	
3.0 TDI quattro (CDYA)	PR 1LD, PR 1LG	Diesel	4WD	2967	176	240	10.08-08.11	■	
3.0 TDI quattro (CDYC)	PR 1LD, PR 1LG	Diesel	4WD	2967	176	240	10.08-08.11	■	
A6 III Allroad C6 (4FH) 03.06-08.11					Estate (Executive car-E Segment)				
3.0 TFSI quattro (CAJA)	PR 1LG	Gasolina	4WD	2995	213	290	10.08-08.11	■	
4.2 FSI quattro (BVJ)	-10/08, PR 1LG	Gasolina	4WD	4163	257	350	05.06-12.10	■	
2.7 TDI quattro (BSG)		Diesel	4WD	2698	120	163	05.06-08.11	■	
2.7 TDI quattro (CAND)		Diesel	4WD	2698	120	163	05.06-08.11	■	
2.7 TDI quattro (BPP)	PR 1LG	Diesel	4WD	2698	132	180	03.06-10.08	■	
2.7 TDI quattro (CANC)	PR 1LG	Diesel	4WD	2698	140	190	10.08-08.11	■	
3.0 TDI quattro (BNG)	PR 1LG	Diesel	4WD	2967	155	211	05.06-08.11	■	
3.0 TDI quattro (CDYB)	PR 1LG	Diesel	4WD	2967	155	211	05.06-08.11	■	
3.0 TDI quattro (ASB)	PR 1LG	Diesel	4WD	2967	171	233	05.06-10.08	■	
3.0 TDI quattro (CDYA)	PR 1LG	Diesel	4WD	2967	176	240	10.08-08.11	■	
3.0 TDI quattro (CDYC)	PR 1LG	Diesel	4WD	2967	176	240	10.08-08.11	■	
A6 III C6 (4F2) 04.04-08.11					Saloon (Executive car-E Segment)				
2.4 (BDW)		Gasolina	FWD	2393	130	177	05.04-10.08	■	
2.4 quattro (BDW)		Gasolina	4WD	2393	130	177	01.05-10.08	■	
2.8 V6	PR 1LG	Gasolina	FWD	2771	142	193	07.08-10.08	■	
2.8 FSI (CCDA)	PR 1LG	Gasolina	FWD	2773	140	190	10.08-03.11	■	
2.8 FSI quattro (CCDA)	PR 1LG	Gasolina	4WD	2773	140	190	10.08-03.11	■	
2.8 FSI (BDX)		Gasolina	FWD	2773	154	210	11.06-10.08	■	
2.8 FSI quattro (BDX)		Gasolina	4WD	2773	154	210	06.07-10.08	■	
2.8 FSI (CCEA)	PR 1LG	Gasolina	FWD	2773	162	220	10.08-03.11	■	
2.8 FSI quattro (CCEA)	PR 1LG	Gasolina	4WD	2773	162	220	10.08-03.11	■	
3.0 (BBJ)		Gasolina	FWD	2976	160	218	08.04-05.06	■	
3.0 quattro (BBJ)		Gasolina	4WD	2976	160	218	05.04-05.06	■	
3.0 TFSI quattro (CAJA)	PR 1LG	Gasolina	4WD	2995	213	290	10.08-03.11	■	
3.0 TFSI quattro (CCAA)	PR 1LG	Gasolina	4WD	2995	220	299	10.08-03.11	■	
3.2 FSI quattro (BYU)	PR 1LG	Gasolina	4WD	3123	183	249	09.06-10.08	■	
3.2 FSI (AUK)		Gasolina	FWD	3123	188	255	05.04-05.09	■	
3.2 FSI (BKH)		Gasolina	FWD	3123	188	255	05.04-05.09	■	
3.2 FSI quattro (AUK)		Gasolina	4WD	3123	188	255	05.04-10.08	■	
3.2 FSI quattro (BKH)		Gasolina	4WD	3123	188	255	05.04-10.08	■	
2.7 TDI (BSG)		Diesel	FWD	2698	120	163	11.04-03.11	■	
2.7 TDI (CANB)		Diesel	FWD	2698	120	163	11.04-03.11	■	
2.7 TDI quattro (BSG)		Diesel	4WD	2698	120	163	06.05-03.11	■	
2.7 TDI quattro (CAND)		Diesel	4WD	2698	120	163	06.05-03.11	■	
2.7 TDI (BPP)		Diesel	FWD	2698	132	180	11.04-10.08	■	
2.7 TDI quattro (BPP)		Diesel	4WD	2698	132	180	11.04-10.08	■	
3.0 TDI quattro (BNG)		Diesel	4WD	2967	155	211	05.04-03.11	■	
3.0 TDI quattro (CDYB)		Diesel	4WD	2967	155	211	05.04-03.11	■	
3.0 TDI quattro (BMK)		Diesel	4WD	2967	165	225	05.04-05.06	■	
3.0 TDI		Diesel	RWD	2967	171	232	06.06-03.11	■	
3.0 TDI quattro (ASB)		Diesel	4WD	2967	171	233	06.06-10.08	■	
3.0 TDI quattro (CDYA)	PR 1LD, PR 1LG	Diesel	4WD	2967	176	240	10.08-03.11	■	
3.0 TDI quattro (CDYC)	PR 1LD, PR 1LG	Diesel	4WD	2967	176	240	10.08-03.11	■	

LISTA DE APLICACIONES - BUYERS GUIDE

A8 II D3 (4E2, 4E8) 10.02-12.10					Saloon (Luxury car-F Segment)			
2.8 FSI (BDX)	PR 1LG	Gasolina	FWD	2773	154	210	08.07-07.10	■
2.8 FSI		Gasolina	FWD	2773	170	231	01.09-07.10	■
3.0 (BBJ)		Gasolina	FWD	2976	160	218	07.03-05.06	■
3.0 (ASN)	07/04-, PR 1LG	Gasolina	FWD	2976	162	220	07.03-05.05	■
3.2 FSI (BPK)		Gasolina	FWD	3123	191	260	06.05-07.10	■
3.2 FSI quattro (BPK)		Gasolina	4WD	3123	191	260	06.05-07.10	■
3.7 quattro (BFL)		Gasolina	4WD	3697	206	280	10.02-05.06	■
4.2 FSI quattro (BVJ)	PR 1LG	Gasolina	4WD	4163	257	350	06.06-07.10	■
4.2 quattro (BFM)		Gasolina	4WD	4172	246	335	10.02-07.10	■
4.2 quattro (BGK)		Gasolina	4WD	4172	246	335	10.02-07.10	■
6.0 W12 quattro (BHT)	-07/04, PR 1LG	Gasolina	4WD	5998	331	450	12.03-07.10	■
6.0 W12 quattro (BSB)	-07/04, PR 1LG	Gasolina	4WD	5998	331	450	12.03-07.10	■
6.0 W12 quattro (BTE)	-07/04, PR 1LG	Gasolina	4WD	5998	331	450	12.03-07.10	■
3.0 TDI quattro (BNG)		Diesel	4WD	2967	155	211	11.03-07.10	■
3.0 TDI quattro (ASB)	08/04-	Diesel	4WD	2967	171	233	08.03-07.10	■
AUDI (FAW)								
A6L II C6 (4Z8) 03.05-12.12					Saloon (Executive car-E Segment)			
2.8		Gasolina	FWD	2773	162	220	01.08-12.12	■