

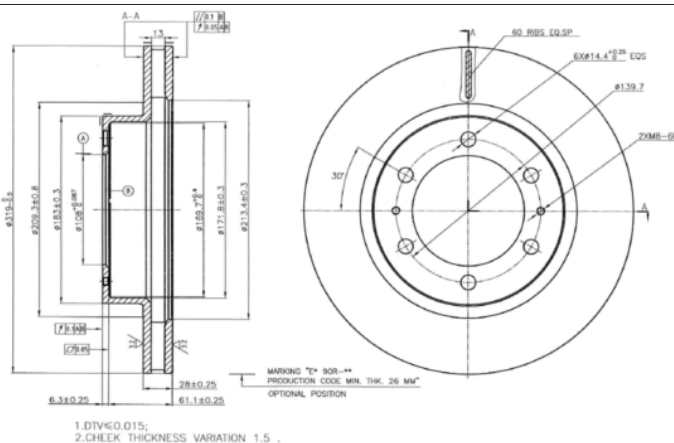
# LISTA DE APLICACIONES - BUYERS GUIDE

## 78BD4113-2



Weight: 16.936

O.E.M.	MAKE
435120K090	TOYOTA
435120K100	TOYOTA
435120K101	TOYOTA
435120K140	TOYOTA



## 78BD4113-2

**E1 90R-02C0452/0130**



Ø319x28x67.4

MAKE
TOYOTA



Trac.	CC	Kw	CV		
					Front / Rear

### TOYOTA

TOYOTA						SUV (Executive SUV-J Segment)			
<b>4RUNNER IV (_N21_) 08.02-12.09</b>						<b>SUV (Executive SUV-J Segment)</b>			
4.0 (GRN210) (1GR-FE)		Gasolina	RWD	3956	183	249	11.02-07.09	■	
<b>FJ CRUISER (GSJ1_) 06.05-</b>						<b>SUV (Compact SUV-J Segment)</b>			
4.0 (GSJ15) (1GR-FE)		Gasolina	RWD	3956	178	242	01.06-12.11	■	
4.0 (GSJ15) (1GR-FE)		Gasolina	RWD	3956	191	260	01.10-06.14	■	
4.0 4WD (GSJ15_) (1GR-FE)		Gasolina	4WD	3956	191	260	01.10-06.14	■	
4.0 (GSJ15)		Gasolina	RWD	3956	194	264	01.07-12.14	■	
4.0 4WD (GSJ15_) (1GR-FE)		Gasolina	4WD	3956	194	264	01.07-06.14	■	
4.0 4WD (GSJ15)		Gasolina	4WD	3956	199	271	12.11-06.14	■	
4.0 4WD (GSJ15_, GSJ15R) (1GR-FE)		Gasolina	4WD	3956	200	272	12.10-	■	
4.0 4WD (GSJ15_, GSJ15W) (1GR-FE)		Gasolina	4WD	3956	203	276	06.05-01.18	■	
<b>FORTUNER / SW4 (_N5_, _N6_) 06.04-12.15</b>						<b>SUV (Compact SUV-J Segment)</b>			
2.7 (TGN61_) (2TR-FE)		Gasolina	RWD	2694	116	158	03.09-05.15	■	
2.7 4WD (TGN51_) (2TR-FE)		Gasolina	4WD	2694	116	158	08.08-03.15	■	
2.7 4WD (TGN51_, TGN51R) (2TR-FE)		Gasolina	4WD	2694	118	160	06.04-05.15	■	
4.0 (GGN50_, GGN60_) (1GR-FE)		Gasolina	RWD	3956	175	238	07.05-05.15	■	
4.0 4WD (GGN60) (1GR-FE)		Gasolina	4WD	3956	175	238	01.05-05.15	■	
2.5 D-4D (KUN60) (2KD-FTV)		Diesel	RWD	2494	106	144	01.09-05.15	■	
2.5 D-4D 4WD (RZN215, KUN50) (2KD-FTV)		Diesel	4WD	2494	106	144	07.11-05.15	■	
3.0 D 4WD (KUN51) (1KD-FTV)		Diesel	4WD	2982	120	163	06.04-05.15	■	
3.0 D 4WD (KUN51_) (1KD-FTV)		Diesel	4WD	2982	126	171	08.09-05.15	■	
<b>HiLux VII (_N1_, _N2_) 02.05-</b>						<b>Platform/Chassis (LCVs-N1 Segment)</b>			
3.0 D 4WD (KUN26)		Diesel	4WD	2982	120	163	02.05-08.06	■	

# LISTA DE APLICACIONES - BUYERS GUIDE

<b>HiLux VII / HiLux (VIGO) (_N1_, _N2_, _N3_) 08.04-</b>						<b>Pickup (Pick-Up Truck)</b>			
2.7 VVTi (TGN16) (2TR-FE)		Gasolina	RWD	2694	118	160	08.05-05.15	■	
2.7 VVTi 4WD (TGN26) (2TR-FE)		Gasolina	4WD	2694	118	160	08.05-05.15	■	
2.5 D-4D (KUN15, KUN35) (2KD-FTV)		Diesel	RWD	2494	106	144	01.10-05.15	■	
2.5 D-4D 4WD (KUN25) (2KD-FTV)		Diesel	4WD	2494	106	144	12.07-05.15	■	
3.0 D-4D 4WD (KUN26) (1KD-FTV)		Diesel	4WD	2982	120	163	03.05-05.15	■	
3.0 D-4D 4WD (KUN26)		Diesel	4WD	2982	124	169	08.05-05.15	■	
3.0 D-4D (KUN16) (1KD-FTV)		Diesel	RWD	2982	126	171	08.06-05.15	■	
3.0 D-4D 4WD (KUN26) (1KD-FTV)		Diesel	4WD	2982	126	171	08.05-09.15	■	
3.0 D-4D 4WD (KUN26) (1KD-FTV)		Diesel	4WD	2982	145	197	05.08-12.12	■	
<b>HiLux VIII (_N1_) 05.15-</b>						<b>Pickup (Pick-Up Truck)</b>			
2.7 4WD (TGN126_) (2TR-FE)		Gasolina	4WD	2694	118	160	05.15-	■	
2.7 4WD (TGN126_) (2TR-FE)		Gasolina	4WD	2694	121	165	05.15-	■	
4.0 V6 VVTi 4WD (GGN125, GGN135) (1GR-FE)		Gasolina	4WD	3956	175	238	07.15-	■	
2.4 D (GUN112_, GUN122_, GUN135_, GUN125_) (2GD-FTV)		Diesel	RWD	2393	108	147	05.15-	■	
2.4 D 4WD (GUN125_) (2GD-FTV)		Diesel	4WD	2393	108	147	05.15-	■	
2.4 D (GUN112_, GUN122_, GUN135_, GUN125_) (2GD-FTV)		Diesel	RWD	2393	110	150	05.15-	■	
2.4 D 4WD (GUN125_, GUN125R) (2GD-FTV)		Diesel	4WD	2393	110	150	05.15-	■	
2.4 D (GUN135) (2GD-FTV)		Diesel	RWD	2393	125	170	10.18-	■	
2.4 D 4WD (GUN125) (2GD-FTV)		Diesel	4WD	2393	125	170	10.18-	■	
2.5 D (KUN112_, KUN122_, KUN135_) (2KD-FTV)		Diesel	RWD	2494	74	101	05.15-03.19	■	
2.5 D 4WD (KUN125_)		Diesel	4WD	2494	75	102	08.15-	■	
2.5 D (KUN135) (2KD-FTV)		Diesel	RWD	2494	106	144	05.15-	■	
2.5 D 4WD (KUN125_)		Diesel	4WD	2494	106	144	05.15-08.17	■	
2.8 D-4D (GUN123_, GUN136_, GUN136)		Diesel	RWD	2755	125	170	07.15-	■	
2.8 D 4WD (GUN126_)		Diesel	4WD	2755	128	174	05.15-	■	
2.8 D-4D (GUN123_, GUN136_, GUN136) (1GD-FTV)		Diesel	RWD	2755	130	177	05.15-02.21	■	
2.8 D-4D 4WD (GUN126_, GUN126R) (1GD-FTV)		Diesel	4WD	2755	130	177	05.15-02.21	■	
2.8 D-4D 4WD (GUN126) (1GD-FTV)		Diesel	4WD	2755	150	204	06.20-	■	
3.0 D 4WD (KUN126, KUN136)		Diesel	4WD	2982	120	163	08.15-	■	
3.0 D 4WD (LAN125_)		Diesel	4WD	2986	70	95	05.15-	■	
<b>HiLux VIII (_N1_) 05.15-</b>						<b>Platform/Chassis (LCVs-N1 Segment)</b>			
2.4 D (GUN112_, GUN122_, GUN135_, GUN125_)		Diesel	RWD	2393	110	150	07.15-	■	
2.4 D 4WD (GUN125_, GUN125R) (2GD-FTV)		Diesel	4WD	2393	110	150	07.15-	■	
2.8 D-4D (GUN123_, GUN136_, GUN136)		Diesel	RWD	2755	125	170	07.15-	■	
2.8 D-4D 4WD (GUN126_, GUN126R)		Diesel	4WD	2755	130	177	07.15-	■	
2.8 D-4D 4WD (GUN126)		Diesel	4WD	2755	150	204	05.20-	■	
<b>HiLux SUV VI / SW4 (_N1_, _N2_) 01.95-08.05</b>						<b>SUV (Pick-Up Truck)</b>			
2.7 EFI (RZN149)		Gasolina	RWD	2694	107	145	08.01-07.04	■	
3.4 4WD (KYN195) (5VZ-FE)		Gasolina	4WD	3378	131	178	08.00-07.05	■	
3.4 EFI 4WD (VZN185)		Gasolina	4WD	3378	136	185	11.95-07.00	■	
2.4 TD 4WD (LN165)		Diesel	4WD	2446	66	90	08.97-07.01	■	
<b>HILUX V (_N8_, _N9_, _N10_, _N11_) 09.88-08.01</b>						<b>Pickup (Pick-Up Truck)</b>			
2.4 D 4WD (LN110_, LN110R) (2L)		Diesel	4WD	2446	58	79	01.94-12.97	■	
2.4 D (LN85_, LN110, LN90) (2L)		Diesel	RWD	2446	61	83	09.88-08.97	■	
2.4 D 4WD (LN105, LN110) (2L)		Diesel	4WD	2446	61	83	09.88-08.97	■	

# LISTA DE APLICACIONES - BUYERS GUIDE

<b>HILUX VI (_N1_) 08.94-03.06</b>					<b>Pickup (Pick-Up Truck)</b>			
2.4 i 4WD (RZN14_, RZN16_, RZN19_) (2RZ-FE)	Gasolina	4WD	2438	103	140	08.97-10.05	■	
2.7 EFI 4WD (RZN174, RZN169) (3RZ-FE)	Gasolina	4WD	2694	108	147	11.97-04.05	■	
2.4 D (LN150, LN145) (2L)	Diesel	RWD	2446	55	75	08.97-04.05	■	
2.5 D-4D (KDN145, KDN150) (2KD-FTV)	Diesel	RWD	2494	65	88	11.01-07.05	■	
3.0 D 4WD (LN172, LN167) (5L)	Diesel	4WD	2986	67	91	08.97-07.05	■	
<b>LAND CRUISER PRADO (_J12_) 09.02-12.10</b>					<b>Closed Off-Road Vehicle (Large SUV-J Segment)</b>			
3.0 D (KZJ120) (1KZ-TE)	Diesel	4WD	2982	92	125	09.02-07.09	■	
3.0 D-4D (KDJ120, KDJ125, KDJ121) (1KD-FTV)	Diesel	4WD	2982	120	163	09.02-08.09	■	
3.0 D-4D (KDJ120, KDJ125, KDJ121) (1KD-FTV)	Diesel	4WD	2982	122	166	07.04-08.09	■	
3.0 D-4D (KDJ120, KDJ125, KDJ121) (1KD-FTV)	Diesel	4WD	2982	127	173	09.02-12.10	■	
<b>TACOMA II (_N2_) 09.04-</b>					<b>Pickup (Pick-Up Truck)</b>			
4.0 (GRN225_, GRN265_, GRN270_) (1GR-FE)	Gasolina	RWD	3956	174	237	09.04-12.15	■	
4.0 4WD (GRN245_, GRN250_, GRN270_, GLN245L, GLN250L,...) (1GR-FE)	Gasolina	4WD	3956	174	237	09.04-12.15	■	
4.0 4WD (GRN245) (1GR-FE)	Gasolina	4WD	3956	175	238	09.04-07.15	■	
<b>TACOMA III (_N3_) 08.15-</b>					<b>Pickup (Pick-Up Truck)</b>			
2.7 (TRN245_, TRN265_)	Gasolina	RWD	2694	118	160	08.15-	■	
2.7 4WD (TRN245)	Gasolina	4WD	2694	118	160	08.15-	■	
3.5 (GRN325_, GRN330_)	Gasolina	RWD	3456	207	282	08.15-	■	
3.5 4WD (GRN305_)	Gasolina	4WD	3456	207	282	08.15-	■	