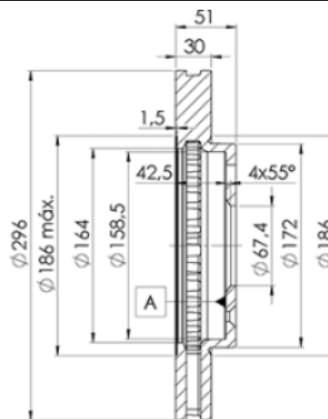
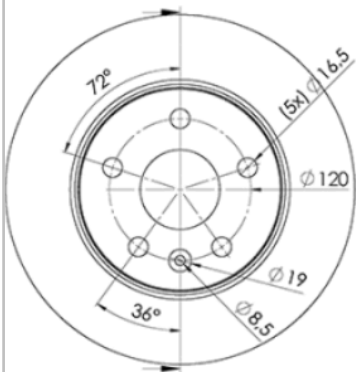


LISTA DE APLICACIONES - BUYERS GUIDE

78BD4116-2



Weight: 17.460



78BD4116-2

E1 90R-02C0452/0114



Ø296x30x51

O.E.M.	MAKE
13 501 307	OPEL
13 502 213	VAUXHALL
13 579 147	OPEL
1350 1307	CHEVROLET
13501296	BUICK
13501319	BUICK
23118529	BUICK
5 69 063	OPEL
5 69 078	OPEL
5 69 421	OPEL

MAKE
BUICK
BUICK (SGM)
CHEVROLET
CHEVROLET (SGM)
HOLDEN
LOTUS (YOUNGMAN)
OPEL
SAAB
VAUXHALL



Trac.	CC	Kw	CV
-------	----	----	----



Front / Rear

BUICK

LA CROSSE II 06.09-

Saloon (Executive car-E Segment)

Model	Syst.	Gasolina	FWD	CC	Kw	CV	Year	Front	Rear
2.4 (LE5)	Syst. 16"	Gasolina	FWD	2384	125	170	09.09-	■	■
2.4 (LAF)	Syst. 16"	Gasolina	FWD	2384	136	185	09.09-	■	■
2.4	Syst. 16"	Gasolina	FWD	2384	136	185	09.10-12.11	■	■
3.0	Syst. 16"	Gasolina	FWD	2980	131	178	09.09-	■	■
3.0 (LF1)	Syst. 16"	Gasolina	FWD	2997	190	258	09.09-	■	■
3.0 AWD (LF1)	Syst. 16"	Gasolina	4WD	2997	190	258	09.09-	■	■
3.6 VVTi (LLT)	Syst. 16"	Gasolina	FWD	3564	209	284	01.10-12.11	■	■
3.6 VVTi	Syst. 16"	Gasolina	FWD	3564	209	284	09.10-12.11	■	■
3.6	Syst. 16"	Gasolina	FWD	3564	226	307	07.15-	■	■
3.6 (LGX)	Syst. 16"	Gasolina	FWD	3640	227	309	02.16-09.17	■	■
3.6 (LGX)	Syst. 16"	Gasolina	FWD	3640	231	314	09.17-	■	■
3.6 AWD (LGX)	Syst. 16"	Gasolina	4WD	3640	231	314	09.17-	■	■
3.6 FLEX (LFX)	Syst. 16"	Gasol./Et anol	FWD	3564	227	309	09.11-	■	■
3.6 FLEX AWD (LFX)	Syst. 16"	Gasol./Et anol	4WD	3564	227	309	09.11-	■	■
2.4 Hybrid (LUK)	Syst. 16"	Gasol./el éc.	FWD	2384	136	185	09.12-	■	■
2.4 Hybrid AWD (LUK)	Syst. 16"	Gasol./el éc.	4WD	2384	136	185	09.11-	■	■
2.4 Hybrid (LUK)		Gasol./el éc.	FWD	2384	147	200	09.11-12.16	■	■
2.4 Hybrid AWD (LUK)		Gasol./el éc.	4WD	2384	147	200	09.11-12.16	■	■

REGAL V (U.S.A.) 09.10-

Saloon (Large family car-D Segment)

2.4		Gasolina	FWD		136	185	09.10-	■	■
-----	--	----------	-----	--	-----	-----	--------	---	---

LISTA DE APLICACIONES - BUYERS GUIDE

2.4 FLEX		Gasolina	FWD		136	185	09.11-	■
2.4 AWD (LAF)		Gasolina	4WD	2384	136	185	09.10-	■
2.4 Hybrid (LUK)		Gasol./el éc.	FWD	2384	147	200	09.11-	■
2.4 Hybrid AWD (LUK)		Gasol./el éc.	4WD	2384	147	200	07.13-	■
BUICK (SGM)								
REGAL II (EG1) 12.08-					Saloon (Large family car-D Segment)			
2.0		Gasolina	FWD	1998	108	147	12.08-	■
2.0 (LTD)		Gasolina	FWD	1998	113	154	09.13-12.17	■
2.4		Gasolina	FWD	2384	127	173	12.08-	■
2.4		Gasolina	FWD	2384	137	186	01.11-	■
CHEVROLET								
AVEO / KALOS (T250, T255) 03.05-					Saloon (Supermini car-B Segment)			
1.6 Aveo (LXV)	Syst. 16"	Gasolina	FWD	1598	79	106	09.08-12.09	■
MALIBU VII 01.08-					Saloon (Executive car-E Segment)			
2.0	Syst. 16"	Gasolina	FWD	1998	193	262	09.12-	■
MALIBU VIII (V300) 01.12-					Saloon (Executive car-E Segment)			
2.0 LPG	Syst. 16"	Gasolina	FWD	1998	101	137	02.12-	■
2.0	Syst. 16"	Gasolina	FWD	1998	104	141	02.12-	■
2.0 (LTG)	Syst. 16"	Gasolina	FWD	1998	193	262	01.12-12.15	■
2.4 (LE9(145CUL4))	Syst. 16"	Gasolina	FWD	2384	123	167	01.12-	■
2.4 (LE9(145CUL4))	Syst. 16"	Gasolina	FWD	2384	125	170	01.12-	■
2.5 (LCV)	Syst. 16"	Gasolina	FWD	2457	142	193	09.12-12.13	■
2.5	Syst. 16"	Gasolina	FWD	2457	146	199	09.13-12.15	■
2.5 (LCV,LKW)	Syst. 16"	Gasolina	FWD	2457	147	200	07.13-	■
3.0 (LFW)	Syst. 16"	Gasolina	FWD	2997	196	267	04.13-	■
2.4 Hybrid (LUK)	Syst. 16"	Gasol./el éc.	FWD	2384	136	185	01.12-	■
2.0 D	Syst. 16"	Diesel	FWD	1956	115	156	04.12-	■
2.0 D (LBS)	Syst. 16"	Diesel	FWD	1956	118	160	04.12-	■
CHEVROLET (SGM)								
MALIBU (EG3) 02.12-					Saloon (Executive car-E Segment)			
1.5 T (LFV)		Gasolina	FWD	1490	125	170	08.16-	■
2.0		Gasolina	FWD	1998	108	147	02.12-	■
2.4		Gasolina	FWD	2384	137	186	02.12-	■
HOLDEN								
MALIBU (EM) 05.13-					Saloon (Executive car-E Segment)			
2.4 i (LE9)	Syst. 16"	Gasolina	FWD	2384	123	167	05.13-12.16	■
2.0 D (A 20 DTH)	Syst. 16"	Diesel	FWD	1956	117	159	05.13-12.16	■
LOTUS (YOUNGMAN)								
L3 05.09-					Hatchback ()			
1.6		Gasolina	FWD	1597	82	112	05.09-	■
OPEL								
INSIGNIA A (G09) 07.08-					Hatchback (Executive car-E Segment)			
1.4 (68) (A 14 NET)	Rim 16, not FlexRide suspens	Gasolina	FWD	1364	103	140	04.11-03.17	■
1.4 (68) (B 14 NET)	Rim 16, not FlexRide suspens	Gasolina	FWD	1364	103	140	04.11-03.17	■
1.6 (68) (A 16 XER)	Rim 16, not FlexRide suspens	Gasolina	FWD	1598	85	116	07.08-03.17	■
1.6 SIDI (68) (A 16 XHT)		Gasolina	FWD	1598	125	170	03.13-03.17	■

LISTA DE APLICACIONES - BUYERS GUIDE

1.6 SIDI (68) (B 16 SHL)		Gasolina	FWD	1598	125	170	03.13-03.17	■
1.6 Turbo (68) (A 16 LET)	not FlexRide suspens	Gasolina	FWD	1598	132	180	07.08-03.17	■
1.8 (68) (A 18 XER)	not FlexRide suspens	Gasolina	FWD	1796	103	140	07.08-03.17	■
1.8 (68) (B 18 XER)	not FlexRide suspens	Gasolina	FWD	1796	103	140	07.08-03.17	■
2.0 Turbo (68) (A 20 NHT)		Gasolina	FWD	1998	162	220	07.08-03.17	■
2.0 Turbo 4x4 (68) (A 20 NHT)		Gasolina	4WD	1998	162	220	07.08-03.17	■
2.0 Turbo (68) (A 20 NHT)	Syst. 16"	Gasolina	FWD	1998	184	250	04.14-03.17	■
2.0 Turbo (68) (B 20 NHT)	Syst. 16"	Gasolina	FWD	1998	184	250	04.14-03.17	■
2.0 Turbo 4x4 (68) (A 20 NHT)		Gasolina	4WD	1998	184	250	07.11-03.17	■
2.0 Turbo 4x4 (68) (A 20 NHT)		Gasolina	4WD	1998	184	250	07.11-03.17	■
2.0 Turbo 4x4 (68) (B 20 NHT)		Gasolina	4WD	1998	184	250	07.11-03.17	■
1.4 LPG (68) (A 14 NET)	Rim 16, not FlexRide suspens	Gasol./Gas (LPG)	FWD	1364	103	140	07.12-03.17	■
1.4 LPG (68) (B 14 NET)	Rim 16, not FlexRide suspens	Gasol./Gas (LPG)	FWD	1364	103	140	07.12-03.17	■
2.0 E85 Turbo (68) (A 20 NHT)		Gasol./Etanol	FWD	1998	162	220	10.10-03.17	■
1.6 CDTi (68) (B 16 DTJ)	Syst. 16"	Diesel	FWD	1598	88	120	07.15-03.17	■
1.6 CDTi (68) (B 16 DTH)	Syst. 16"	Diesel	FWD	1598	100	136	07.15-03.17	■
2.0 CDTi (68) (A 20 DTC)	not FlexRide suspens	Diesel	FWD	1956	81	110	07.08-03.17	■
2.0 CDTi (68) (A 20 DTL)	not FlexRide suspens	Diesel	FWD	1956	81	110	07.08-03.17	■
2.0 CDTi (68) (A 20 DTE)		Diesel	FWD	1956	88	120	03.12-03.17	■
2.0 CDTi (68) (A 20 DT)	not FlexRide suspens	Diesel	FWD	1956	96	131	07.08-03.17	■
2.0 CDTi (68) (A 20 DTJ)	not FlexRide suspens	Diesel	FWD	1956	96	131	07.08-03.17	■
2.0 CDTi (68) (A 20 DTE)	Syst. 16"	Diesel	FWD	1956	103	140	06.13-03.17	■
2.0 CDTi (68) (A 20 DTH)	Syst. 16"	Diesel	FWD	1956	118	160	07.08-03.17	■
2.0 CDTi 4x4 (68) (A 20 DTH)	Syst. 16"	Diesel	4WD	1956	118	160	06.10-03.17	■
2.0 CDTi (68) (A 20 DTH)	Syst. 16"	Diesel	FWD	1956	120	163	07.13-03.17	■
2.0 CDTi 4x4 (68) (A 20 DTH)	Syst. 16"	Diesel	4WD	1956	120	163	07.13-03.17	■
2.0 CDTi (68) (B 20 DTH)	Syst. 16"	Diesel	FWD	1956	125	170	11.14-03.17	■
2.0 CDTi 4x4 (68) (B 20 DTH)	Syst. 16"	Diesel	4WD	1956	125	170	11.14-03.17	■
2.0 Biturbo CDTi (68) (A 20 DTR)		Diesel	FWD	1956	140	190	07.08-12.11	■
2.0 Biturbo CDTi 4x4 (68) (A 20 DTR)		Diesel	4WD	1956	140	190	05.09-12.11	■
2.0 Biturbo CDTi (68) (A 20 DTR)		Diesel	FWD	1956	143	195	01.12-03.17	■
2.0 Biturbo CDTi 4x4 (68) (A 20 DTR)		Diesel	4WD	1956	143	195	01.12-03.17	■
INSIGNIA A (G09) 07.08-							Saloon (Executive car-E Segment)	
1.4 (69) (A 14 NET)	Rim 16, not FlexRide suspens	Gasolina	FWD	1364	103	140	04.11-03.17	■
1.4 (69) (B 14 NET)	Rim 16, not FlexRide suspens	Gasolina	FWD	1364	103	140	04.11-03.17	■
1.6 (69) (A 16 XER)	Rim 16, not FlexRide suspens	Gasolina	FWD	1598	85	116	07.08-03.17	■
1.6 SIDI (69) (A 16 XHT)		Gasolina	FWD	1598	125	170	03.13-03.17	■
1.6 SIDI (69) (B 16 SHL)		Gasolina	FWD	1598	125	170	03.13-03.17	■
1.6 Turbo (69) (A 16 LET)	not FlexRide suspens	Gasolina	FWD	1598	132	180	07.08-03.17	■
1.8 (69) (A 18 XER)	not FlexRide suspens, Syst. 16"	Gasolina	FWD	1796	103	140	07.08-03.17	■
1.8 (69) (B 18 XER)	not FlexRide suspens, Syst. 16"	Gasolina	FWD	1796	103	140	07.08-03.17	■
2.0 Turbo (69) (A 20 NHT)		Gasolina	FWD	1998	162	220	07.08-03.17	■
2.0 Turbo 4x4 (69) (A 20 NHT)		Gasolina	4WD	1998	162	220	07.08-03.17	■
2.0 Turbo (69) (A 20 NHT)	Syst. 16"	Gasolina	FWD	1998	184	250	04.14-03.17	■
2.0 Turbo (69) (B 20 NHT)	Syst. 16"	Gasolina	FWD	1998	184	250	04.14-03.17	■
2.0 Turbo 4x4 (69) (A 20 NHT)		Gasolina	4WD	1998	184	250	07.11-03.17	■
2.0 Turbo 4x4 (69) (A 20 NHT)		Gasolina	4WD	1998	184	250	07.11-03.17	■
2.0 Turbo 4x4 (69) (B 20 NHT)		Gasolina	4WD	1998	184	250	07.11-03.17	■

LISTA DE APLICACIONES - BUYERS GUIDE

1.4 LPG (69) (A 14 NET)	Rim 16, not FlexRide suspens	Gasol./Gas (LPG)	FWD	1364	103	140	07.12-03.17	■
1.4 LPG (69) (B 14 NET)	Rim 16, not FlexRide suspens	Gasol./Gas (LPG)	FWD	1364	103	140	07.12-03.17	■
2.0 Turbo E85 (69) (A 20 NFT)		Gasol./Etanol	FWD	1998	162	220	07.08-03.17	■
1.6 CDTi (69) (B 16 DTJ)	Syst. 16"	Diesel	FWD	1598	88	120	07.15-03.17	■
1.6 CDTi (69) (B 16 DTH)	Syst. 16"	Diesel	FWD	1598	100	136	07.15-03.17	■
2.0 CDTI (69) (A 20 DTC)	not FlexRide suspens	Diesel	FWD	1956	81	110	07.08-03.17	■
2.0 CDTI (69) (A 20 DTL)	not FlexRide suspens	Diesel	FWD	1956	81	110	07.08-03.17	■
2.0 CDTI (69) (A 20 DTE)		Diesel	FWD	1956	88	120	03.12-03.17	■
2.0 CDTI (69) (A 20 DT)	not FlexRide suspens	Diesel	FWD	1956	96	131	07.08-03.17	■
2.0 CDTI (69) (A 20 DTJ)	not FlexRide suspens	Diesel	FWD	1956	96	131	07.08-03.17	■
2.0 CDTI (69) (A 20 DTE)	Syst. 16"	Diesel	FWD	1956	103	140	06.13-03.17	■
2.0 CDTI (69) (A 20 DTH)	Syst. 16"	Diesel	FWD	1956	118	160	07.08-03.17	■
2.0 CDTI 4x4 (69) (A 20 DTH)	Syst. 16"	Diesel	4WD	1956	118	160	06.10-03.17	■
2.0 CDTI (69) (A 20 DTH)	Syst. 16"	Diesel	FWD	1956	120	163	07.13-03.17	■
2.0 CDTI 4x4 (69) (A 20 DTH)	Syst. 16"	Diesel	4WD	1956	120	163	07.13-03.17	■
2.0 CDTI (69) (B 20 DTH)	Syst. 16"	Diesel	FWD	1956	125	170	11.14-03.17	■
2.0 CDTI 4x4 (69) (B 20 DTH)	Syst. 16"	Diesel	4WD	1956	125	170	11.14-03.17	■
2.0 Biturbo CDTI (69) (A 20 DTR)		Diesel	FWD	1956	140	190	07.08-12.11	■
2.0 Biturbo CDTI 4x4 (69) (A 20 DTR)		Diesel	4WD	1956	140	190	07.08-12.11	■
2.0 Biturbo CDTI (69) (A 20 DTR)		Diesel	FWD	1956	143	195	01.12-03.17	■
2.0 Biturbo CDTI 4x4 (69) (A 20 DTR)		Diesel	4WD	1956	143	195	01.12-03.17	■
INSIGNIA A Country Tourer (G09) 07.08-03.17						Estate (Executive car-E Segment)		
1.6 CDTi (47) (B 16 DTJ)	Syst. 16"	Diesel	FWD	1598	88	120	07.15-03.17	■
1.6 CDTi (47) (B 16 DTH)	Syst. 16"	Diesel	FWD	1598	100	136	07.15-03.17	■
2.0 CDTi (47) (A 20 DTE)		Diesel	FWD	1956	88	120	03.12-03.17	■
2.0 CDTi (47) (A 20 DT)		Diesel	FWD	1956	96	131	07.08-03.17	■
2.0 CDTi (47) (A 20 DTJ)		Diesel	FWD	1956	96	131	07.08-03.17	■
2.0 CDTi (47) (A 20 DTH)	Syst. 16"	Diesel	FWD	1956	120	163	07.14-03.17	■
2.0 CDTi 4x4 (47) (A 20 DTH)	Syst. 16"	Diesel	4WD	1956	120	163	09.13-03.17	■
2.0 CDTi (47) (B 20 DTH)	Syst. 16"	Diesel	FWD	1956	125	170	11.14-03.17	■
2.0 CDTi 4x4 (47) (B 20 DTH)	Syst. 16"	Diesel	4WD	1956	125	170	11.14-03.17	■
INSIGNIA A Sports Tourer (G09) 07.08-						Estate (Executive car-E Segment)		
1.4 (35) (A 14 NET)	Rim 16, not FlexRide suspens	Gasolina	FWD	1364	103	140	04.11-03.17	■
1.4 (35) (B 14 NET)	Rim 16, not FlexRide suspens	Gasolina	FWD	1364	103	140	04.11-03.17	■
1.6 (35) (A 16 XER)	Rim 16, not FlexRide suspens	Gasolina	FWD	1598	85	116	07.08-06.12	■
1.6 SIDI (35) (A 16 XHT)		Gasolina	FWD	1598	125	170	06.13-03.17	■
1.6 SIDI (35) (B 16 SHL)		Gasolina	FWD	1598	125	170	06.13-03.17	■
1.6 Turbo (35) (A 16 LET)	not FlexRide suspens	Gasolina	FWD	1598	132	180	01.09-06.13	■
1.8 (35) (A 18 XER)	not FlexRide suspens	Gasolina	FWD	1796	103	140	07.08-03.17	■
1.8 (35) (B 18 XER)	not FlexRide suspens	Gasolina	FWD	1796	103	140	07.08-03.17	■
2.0 Turbo (35) (A 20 NFT)	Syst. 16"	Gasolina	FWD	1998	162	220	07.08-06.13	■
2.0 Turbo (35) (A 20 NHT)	Syst. 16"	Gasolina	FWD	1998	162	220	07.08-06.13	■
2.0 Turbo 4x4 (35) (A 20 NHT)		Gasolina	4WD	1998	162	220	07.08-06.11	■
2.0 Turbo (35) (A 20 NHT)	Syst. 16"	Gasolina	FWD	1998	184	250	04.14-03.17	■
2.0 Turbo (35) (B 20 NHT)	Syst. 16"	Gasolina	FWD	1998	184	250	04.14-03.17	■
2.0 Turbo 4x4 (35) (A 20 NFT)		Gasolina	4WD	1998	184	250	09.11-03.17	■
2.0 Turbo 4x4 (35) (A 20 NHT)		Gasolina	4WD	1998	184	250	09.11-03.17	■
2.0 Turbo 4x4 (35) (B 20 NHT)		Gasolina	4WD	1998	184	250	09.11-03.17	■
1.4 LPG (35) (A 14 NET)	Rim 16, not FlexRide suspens	Gasol./Gas (LPG)	FWD	1364	103	140	09.12-03.17	■

LISTA DE APLICACIONES - BUYERS GUIDE

1.4 LPG (35) (B 14 NET)	Rim 16, not FlexRide suspens	Gasol./Gas (LPG)	FWD	1364	103	140	09.12-03.17	■
2.0 E85 Turbo (35) (A 20 NFT)		Gasol./Etanol	FWD	1998	162	220	09.10-11.11	■
1.6 CDTi (35) (B 16 DTJ)	Syst. 16"	Diesel	FWD	1598	88	120	07.15-01.17	■
1.6 CDTi (35) (B 16 DTH)	Syst. 16"	Diesel	FWD	1598	100	136	07.15-12.16	■
2.0 CDTI (35) (A 20 DTC)	not FlexRide suspens	Diesel	FWD	1956	81	110	07.08-06.13	■
2.0 CDTI (35) (A 20 DTL)	not FlexRide suspens	Diesel	FWD	1956	81	110	07.08-06.13	■
2.0 CDTI (35) (A 20 DTE)		Diesel	FWD	1956	88	120	03.12-06.15	■
2.0 CDTI (35) (A 20 DT)	not FlexRide suspens, Syst. 16"	Diesel	FWD	1956	96	131	07.08-06.15	■
2.0 CDTI (35) (A 20 DTJ)	not FlexRide suspens, Syst. 16"	Diesel	FWD	1956	96	131	07.08-06.15	■
2.0 CDTI (35) (A 20 DTE)	Syst. 16"	Diesel	FWD	1956	103	140	07.13-06.15	■
2.0 CDTI (35) (A 20 DTH)	Syst. 16"	Diesel	FWD	1956	118	160	07.08-06.15	■
2.0 CDTI 4x4 (35) (A 20 DTH)	Syst. 16"	Diesel	4WD	1956	118	160	06.10-06.15	■
2.0 CDTI (35) (A 20 DTH)	Syst. 16"	Diesel	FWD	1956	120	163	07.13-06.15	■
2.0 CDTI 4x4 (35) (A 20 DTH)	Syst. 16"	Diesel	4WD	1956	120	163	07.13-06.15	■
2.0 CDTI (35) (B 20 DTH)	Syst. 16"	Diesel	FWD	1956	125	170	11.14-12.16	■
2.0 CDTI 4x4 (35) (B 20 DTH)	Syst. 16"	Diesel	4WD	1956	125	170	11.14-12.16	■
2.0 Biturbo CDTI (35) (A 20 DTR)		Diesel	FWD	1956	140	190	07.08-03.17	■
2.0 Biturbo CDTI 4x4 (35) (A 20 DTR)		Diesel	4WD	1956	140	190	07.08-03.17	■
2.0 Biturbo CDTI (35) (A 20 DTR)		Diesel	FWD	1956	143	195	01.12-06.15	■
2.0 Biturbo CDTI 4x4 (35) (A 20 DTR)		Diesel	4WD	1956	143	195	01.12-06.15	■

SAAB

9-5 (YS3E) 10.98-12.09							Estate (Executive car-E Segment)		
2.0 t Biopower	Rim 16	Gasolina	FWD	1998	162	220	01.09-	■	
9-5 II (YS3G) 01.10-01.12							Saloon (Executive car-E Segment)		
1.6 Turbo (A 16 LET)	Rim 16, Syst. 16"	Gasolina	FWD	1598	132	180	05.10-01.12	■	
2.0 Turbo (A 20 NHT)	Rim 16, Syst. 16"	Gasolina	FWD	1998	162	220	05.10-01.12	■	
2.0 Turbo XWD (A 20 NHT)	Rim 16, Syst. 16"	Gasolina	4WD	1998	162	220	05.10-01.12	■	
2.0 (A 20 NFT)	Syst. 16"	Gasolina	FWD	1998	164	223	09.10-01.12	■	
2.8 Turbo V6 XWD (A 28 NER)	Rim 16, Syst. 16"	Gasolina	4WD	2792	221	301	05.10-01.12	■	
2.8 AWD (A28 NER)	Syst. 16"	Gasolina	4WD	2792	224	305	05.10-01.12	■	
2.0 t Biopower (A 20 NFT)	Rim 16, Syst. 16"	Gasol./Etanol	FWD	1998	162	220	05.10-01.12	■	
2.0 t BioPower XWD (A 20 NHT)	Rim 16, Syst. 16"	Gasol./Etanol	4WD	1998	162	220	05.10-01.12	■	
2.0 TiD (A 20 DTH)	Rim 16, Syst. 16"	Diesel	FWD	1956	118	160	05.10-01.12	■	
2.0 TTiD (A 20 DTR)	Rim 16, Syst. 16"	Diesel	FWD	1956	140	190	05.10-01.12	■	
2.0 TTiD XWD (A 20 DTR)	Rim 16, Syst. 16"	Diesel	4WD	1956	140	190	05.10-01.12	■	

VAUXHALL

INSIGNIA Mk I (A) (G09) 07.08-05.17							Hatchback (Executive car-E Segment)		
1.4 (68) (A 14 NET)	Rim 16, not FlexRide suspens	Gasolina	FWD	1364	103	140	04.11-05.17	■	
1.4 (68) (B 14 NET)	Rim 16, not FlexRide suspens	Gasolina	FWD	1364	103	140	04.11-05.17	■	
1.6	Rim 16, not FlexRide suspens	Gasolina	FWD	1598	85	116	07.08-05.17	■	
1.6 (A 16 XER)	POC J60, Syst. 16"	Gasolina	FWD	1598	85	116	07.08-07.12	■	
1.6 Turbo (68) (A 16 LET)	not FlexRide suspens	Gasolina	FWD	1598	132	180	01.09-05.17	■	
1.8 (68) (A 18 XER)	not FlexRide suspens	Gasolina	FWD	1796	103	140	07.08-05.17	■	
1.8 (68) (B 18 XER)	not FlexRide suspens	Gasolina	FWD	1796	103	140	07.08-05.17	■	
2.0 Turbo (68) (A 20 NHT)	Syst. 16"	Gasolina	FWD	1998	184	250	07.11-05.17	■	
2.0 Turbo (68) (B 20 NHT)	Syst. 16"	Gasolina	FWD	1998	184	250	07.11-05.17	■	
1.4 LPG (68) (A 14 NET)	Rim 16, not FlexRide suspens	Gasol./Gas (LPG)	FWD	1364	103	140	07.12-05.17	■	

LISTA DE APLICACIONES - BUYERS GUIDE

1.6 CDTi (68) (B 16 DTJ)	Syst. 16"	Diesel	FWD	1598	88	120	07.15-05.17	■	
1.6 CDTi (68) (B 16 DTH)	Syst. 16"	Diesel	FWD	1598	100	136	07.15-05.17	■	
2.0 CDTI (68) (A 20 DTC)	not FlexRide suspens	Diesel	FWD	1956	81	110	07.08-05.17	■	
2.0 CDTI (68) (A 20 DTL)	not FlexRide suspens	Diesel	FWD	1956	81	110	07.08-05.17	■	
2.0 CDTI (68) (A 20 DTE)		Diesel	FWD	1956	88	120	03.12-03.16	■	
2.0 CDTI (68) (A 20 DT)	not FlexRide suspens, Syst. 16"	Diesel	FWD	1956	96	130	07.08-12.14	■	
2.0 CDTI (68) (A 20 DTJ)	not FlexRide suspens, Syst. 16"	Diesel	FWD	1956	96	130	07.08-12.14	■	
2.0 CDTI (68) (A 20 DTE)	Syst. 16"	Diesel	FWD	1956	103	140	07.13-05.17	■	
2.0 CDTI (68) (A 20 DTH)	Syst. 16"	Diesel	FWD	1956	118	160	07.08-05.17	■	
2.0 CDTI 4x4 (68) (A 20 DTH)	Syst. 16"	Diesel	4WD	1956	118	160	07.08-05.17	■	
2.0 CDTI (68) (A 20 DTH)	Syst. 16"	Diesel	FWD	1956	120	163	07.13-05.17	■	
2.0 CDTI (68) (B 20 DTH)	Syst. 16"	Diesel	FWD	1956	125	170	11.14-05.17	■	
2.0 CDTI 4x4 (68) (B 20 DTH)	Syst. 16"	Diesel	4WD	1956	125	170	11.14-05.17	■	
INSIGNIA Mk I (A) (G09) 07.08-05.17							Saloon (Executive car-E Segment)		
1.4 (69) (A 14 NET)	Rim 16, not FlexRide suspens	Gasolina	FWD	1364	103	140	04.11-05.17	■	
1.6	Rim 16, not FlexRide suspens	Gasolina	FWD	1598	85	116	07.08-05.17	■	
1.6 (A 16 XER)	POC J60, Syst. 16"	Gasolina	FWD	1598	85	116	07.08-07.12	■	
1.6 SIDi		Gasolina	FWD	1598	125	170	03.13-05.17	■	
1.6 Turbo (69) (A 16 LET)	not FlexRide suspens	Gasolina	FWD	1598	132	180	01.09-05.17	■	
1.8 (69) (A 18 XER)	not FlexRide suspens	Gasolina	FWD	1796	103	140	07.08-05.17	■	
2.0 Turbo (69) (A 20 NHT)	Syst. 16"	Gasolina	FWD	1998	184	250	09.11-05.17	■	
2.0 Turbo (69) (B 20 NHT)	Syst. 16"	Gasolina	FWD	1998	184	250	09.11-05.17	■	
1.4 LPG (69) (A 14 NET)	Rim 16, not FlexRide suspens	Gasol./Gas (LPG)	FWD	1364	103	140	07.12-05.17	■	
1.6 CDTi (69) (B 16 DTJ)	Syst. 16"	Diesel	FWD	1598	88	120	07.15-05.17	■	
1.6 CDTi (69) (B 16 DTH)	Syst. 16"	Diesel	FWD	1598	100	136	07.15-05.17	■	
2.0 CDTI (69)	not FlexRide suspens	Diesel	FWD	1956	81	110	07.08-05.17	■	
2.0 CDTI (69) (A 20 DT)	not FlexRide suspens	Diesel	FWD	1956	96	130	07.08-12.14	■	
2.0 CDTI (69) (A 20 DTJ)	not FlexRide suspens	Diesel	FWD	1956	96	130	07.08-12.14	■	
2.0 CDTI (69) (A 20 DTE)	Syst. 16"	Diesel	FWD	1956	103	140	07.13-05.17	■	
2.0 CDTI (69) (A 20 DTH)	Syst. 16"	Diesel	FWD	1956	118	160	07.08-05.17	■	
2.0 CDTI 4x4 (69) (A 20 DTH)	Syst. 16"	Diesel	4WD	1956	118	160	07.08-05.17	■	
2.0 CDTI (69) (A 20 DTH)	Syst. 16"	Diesel	FWD	1956	120	163	07.13-05.17	■	
2.0 CDTI (69) (B 20 DTH)	Syst. 16"	Diesel	FWD	1956	125	170	11.14-05.17	■	
2.0 CDTI 4x4 (69) (B 20 DTH)	Syst. 16"	Diesel	4WD	1956	125	170	11.14-05.17	■	
INSIGNIA Mk I (A) Country Tourer (G09) 07.08-05.17							Estate (Executive car-E Segment)		
1.6 CDTi (47) (B 16 DTH)	Syst. 16"	Diesel	FWD	1598	100	136	07.15-05.17	■	
2.0 CDTi (47) (A 20 DTH)	Syst. 16"	Diesel	FWD	1956	120	163	07.13-05.17	■	
2.0 CDTi (47) (A 20 DTH)	Syst. 16"	Diesel	4WD	1956	120	163	07.13-05.17	■	
2.0 CDTi (47) (B 20 DTH)	Syst. 16"	Diesel	FWD	1956	125	170	11.14-05.17	■	
2.0 CDTi 4x4 (47) (B 20 DTH)	Syst. 16"	Diesel	4WD	1956	125	170	11.14-05.17	■	
INSIGNIA Mk I (A) Sports Tourer (G09) 07.08-05.17							Estate (Executive car-E Segment)		
1.4 (35) (A 14 NET)	Rim 16, not FlexRide suspens	Gasolina	FWD	1364	103	140	04.11-05.17	■	
1.4 (35) (B 14 NET)	Rim 16, not FlexRide suspens	Gasolina	FWD	1364	103	140	04.11-05.17	■	
1.6	Rim 16, not FlexRide suspens	Gasolina	FWD	1598	85	116	07.08-05.17	■	
1.6 (A 16 XER)	POC J60, Syst. 16"	Gasolina	FWD	1598	85	116	07.08-07.12	■	
1.6 Turbo (35) (A 16 LET)	not FlexRide suspens	Gasolina	FWD	1598	132	180	01.09-05.17	■	
1.8 (35) (A 18 XER)	not FlexRide suspens	Gasolina	FWD	1796	103	140	07.08-05.17	■	
2.0 Turbo (35) (A 20 NHT)	Syst. 16"	Gasolina	FWD	1998	184	250	07.11-05.17	■	
2.0 Turbo (35) (B 20 NHT)	Syst. 16"	Gasolina	FWD	1998	184	250	07.11-05.17	■	

LISTA DE APLICACIONES - BUYERS GUIDE

1.4 LPG (35) (A 14 NET)	Rim 16, not FlexRide suspens	Gasol./Gas (LPG)	FWD	1364	103	140	07.12-05.17	■
1.6 CDTi (35) (B 16 DTH)	Syst. 16"	Diesel	FWD	1598	100	136	07.15-05.17	■
2.0 CDTI (35) (A 20 DTC)	not FlexRide suspens	Diesel	FWD	1956	81	110	07.08-05.17	■
2.0 CDTI (35) (A 20 DTE)	Syst. 16"	Diesel	FWD	1956	88	120	03.12-03.16	■
2.0 CDTI (35) (A 20 DT)	not FlexRide suspens, Syst. 16"	Diesel	FWD	1956	96	130	07.08-12.14	■
2.0 CDTI (35) (A 20 DTJ)	not FlexRide suspens, Syst. 16"	Diesel	FWD	1956	96	130	07.08-12.14	■
2.0 CDTI (35) (A 20 DTE)	Syst. 16"	Diesel	FWD	1956	103	140	07.13-05.17	■
2.0 CDTI (35) (A 20 DTH)	Syst. 16"	Diesel	FWD	1956	118	160	07.08-05.17	■
2.0 CDTI 4x4 (35) (A 20 DTH)	Syst. 16"	Diesel	4WD	1956	118	160	07.08-05.17	■
2.0 CDTI (35) (A 20 DTH)	Syst. 16"	Diesel	FWD	1956	120	163	07.13-05.17	■
2.0 CDTI (35) (B 20 DTH)	Syst. 16"	Diesel	FWD	1956	125	170	11.14-05.17	■
2.0 CDTI 4x4 (35) (B 20 DTH)	Syst. 16"	Diesel	4WD	1956	125	170	11.14-05.17	■