

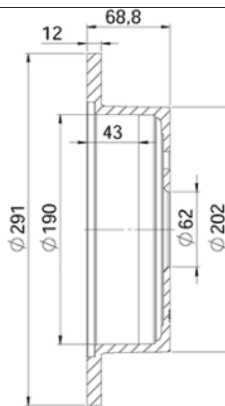
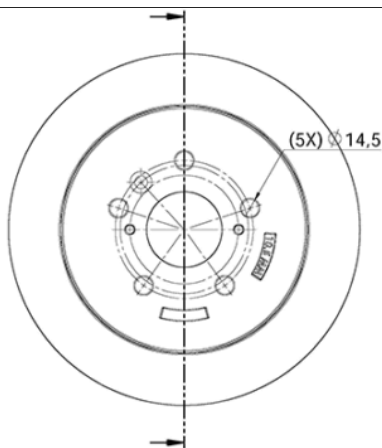
LISTA DE APLICACIONES - BUYERS GUIDE

**78BD4126-2**



Weight: 11.860

O.E.M.	MAKE
42431-08030	TOYOTA
42431-08040	TOYOTA
42431-28090	TOYOTA
42431-28091	TOYOTA
42431-28120	TOYOTA
4243128150	TOYOTA
4243144020	TOYOTA
42431-44030	TOYOTA
4243144031	TOYOTA



**78BD4126-2**

**E1 90R-02C0241/0031**



Ø291x12x68.8

**MAKE**  
TOYOTA



Trac.	CC	Kw	CV
-------	----	----	----



**TOYOTA**

**ALPHARD ( \_H1\_ ) 04.03-04.08**

**MPV (Large MPV-M1 Segment)**

Model	Engine	Trac.	CC	Kw	CV	Period	Front / Rear
2.4 (ANH10W) (2AZ-FE)	Gasolina	FWD	2362	117	159	09.03-04.08	■
2.4 4WD (ANH15W) (2AZ-FE)	Gasolina	4WD	2362	117	159	09.03-04.08	■
3.0 (MNH10) (1MZ-FE)	Gasolina	FWD	2995	162	220	04.03-04.08	■
3.0 4WD (MNH15W) (1MZ-FE)	Gasolina	4WD	2995	162	220	04.03-04.08	■
2.4	Gasol./el éc.	FWD	2362	96	131	09.03-04.08	■
2.4	Gasol./el éc.	4WD	2362	96	131	09.03-04.08	■
2.4 Hybrid (ATH10W) (2AZ-FXE)	Gasol./el éc.	FWD	2362	117	159	09.03-04.08	■
2.4 Hybrid 4WD (ATH10W) (2AZ-FXE)	Gasol./el éc.	4WD	2362	117	159	09.03-04.08	■

**AVENSIS II VERSO / IPSUM / PICNIC / VERSO SPORTVAN ( \_M2\_ ) 05.01-12.11**

**MPV (Large MPV-M1 Segment)**

Model	Engine	Trac.	CC	Kw	CV	Period	Front / Rear
2.0 VVT-i (ACM20_, ACM20R) (1AZ-FE)	Gasolina	FWD	1998	110	150	08.01-11.09	■
2.4 VVT-i (ACM21) (2AZ-FE)	Gasolina	FWD	2362	115	156	08.01-08.07	■
2.4 VVT-i 4WD (ACM26_, ACM26W) (2AZ-FE)	Gasolina	4WD	2362	115	156	11.03-08.06	■
2.4 VVT-i (ACM21_, ACM21R) (2AZ-FE)	Gasolina	FWD	2362	118	160	05.01-12.11	■
2.4 VVT-i 4WD (ACM26_, ACM26W) (2AZ-FE)	Gasolina	4WD	2362	118	160	05.01-12.10	■
2.0 D (CLM20_, CLM20R) (1CD-FTV)	Diesel	FWD	1995	85	116	08.01-08.05	■

**ISIS ( \_M1\_ ) 07.04-**

**MPV (Large MPV-M1 Segment)**

Model	Engine	Trac.	CC	Kw	CV	Period	Front / Rear
1.8 VVTi (ZNM10W) (1ZZ-FE)	Gasolina	FWD	1794	97	132	07.04-08.14	■
1.8 VVTi (ZNM15W) (1ZZ-FE)	Gasolina	4WD	1794	97	132	07.04-12.10	■
1.8 VVTi 4WD (ZGM15G, ZGM15W)	Gasolina	4WD	1798	98	133	04.07-08.14	■
1.8 VVTi (ZGM10W, ZGE25) (2ZR-FAE)	Gasolina	FWD	1798	106	144	04.07-08.14	■

## LISTA DE APLICACIONES - BUYERS GUIDE

2.0 VVTi (ZGM11W)		Gasolina	FWD	1987	112	152	06.12-	■	
2.0 VVTi (ZGM11W) (3ZR-FAE)		Gasolina	FWD	1987	116	158	09.09-08.14	■	
2.0 VVTi (ANM10G) (1AZ-FSE)		Gasolina	FWD	1998	114	155	07.04-08.09	■	
2.0 VVTi 4WD (ANM15G, ANM15W) (1AZ-FSE)		Gasolina	4WD	1998	114	155	07.04-08.14	■	
<b>PREVIA II / ESTIMA / TARAGO (_R3_) 02.00-02.06</b>							<b>MPV (Large MPV-M1 Segment)</b>		
2.0		Gasolina	FWD	1998	94	128	10.00-08.03	■	
2.4		Gasolina	FWD	2362	96	131	07.02-12.05	■	
2.4 (ACR30) (2AZ-FE)	-12/05	Gasolina	FWD	2362	115	156	02.00-02.06	■	
2.4 (ACR30) (2AZ-FE)		Gasolina	FWD	2362	125	170	02.00-01.06	■	
2.4 4WD (ACR30) (2AZ-FE)		Gasolina	4WD	2362	125	170	02.00-01.06	■	
3.0 (MCR30W) (1MZ-FE)		Gasolina	FWD	2995	162	220	08.00-12.05	■	
3.0 4WD (MCR40W) (1MZ-FE)		Gasolina	4WD	2995	162	220	02.00-12.05	■	
2.0 D-4D (CLR30_, CLR30R) (1CD-FTV)	-12/05	Diesel	FWD	1995	85	116	03.01-01.06	■	
<b>SIENNA II (_L2_) 01.03-12.10</b>							<b>MPV (Large MPV-M1 Segment)</b>		
3.3 (MCL20_, MCL23_, MCL20L, MCL23L) (3MZ-FE)		Gasolina	FWD	3311	169	230	01.03-12.06	■	
3.3 4WD (MCL25_, MCL25L) (3MZ-FE)		Gasolina	4WD	3311	169	230	01.03-11.09	■	
3.5 (GSL20_) (2GR-FE)		Gasolina	FWD	3456	198	269	10.06-12.10	■	
3.5 4WD (GSL25_) (2GR-FE)		Gasolina	4WD	3456	198	269	01.07-03.10	■	