

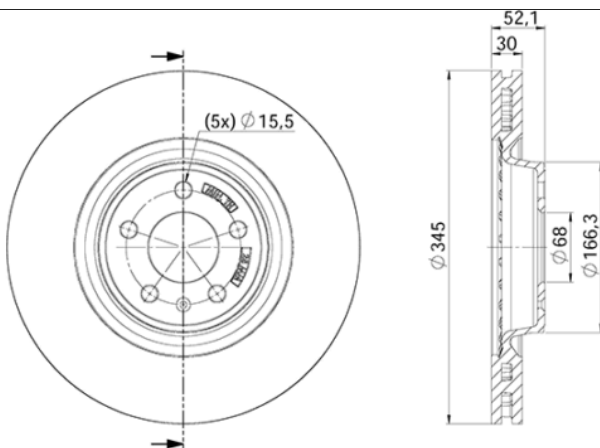
LISTA DE APLICACIONES - BUYERS GUIDE

78BD4150-2



Weight: 22.672

O.E.M.	MAKE
4G0 615 301	AUDI
4G0 615 301 G	AUDI
4G0615301AE	AUDI (FAW)
4G0615301AF	AUDI (FAW)
4G0615301M	AUDI (FAW)
4G0615301Q	AUDI (FAW)
4G0698996	AUDI (FAW)
95B 615 301 B	PORSCHE
95B615301M	AUDI (FAW)



78BD4150-2



Ø345x30x52.1

MAKE
AUDI
PORSCHE



Trac.	CC	Kw	CV
-------	----	----	----



Front / Rear

AUDI

								Saloon (Compact executive car-D Segment)	
A4 IV B8 (8K2) 08.07-06.17									
1.8 TFSI (CABA)	PR 1LD	Gasolina	FWD	1798	88	120	01.08-12.15	■	
1.8 TFSI (CDHA)	PR 1LD	Gasolina	FWD	1798	88	120	01.08-12.15	■	
1.8 TFSI (CABB)	PR 1LD	Gasolina	FWD	1798	118	160	11.07-03.12	■	
1.8 TFSI (CDHB)	PR 1LD	Gasolina	FWD	1798	118	160	11.07-03.12	■	
1.8 TFSI quattro (CDHB)	PR 1LD	Gasolina	4WD	1798	118	160	09.08-03.12	■	
1.8 TFSI (CJEB)	PR 1LD, 01/12-	Gasolina	FWD	1798	125	170	11.11-12.15	■	
1.8 TFSI quattro (CJEB)	PR 1LD, 01/12-	Gasolina	4WD	1798	125	170	11.11-12.15	■	
2.0 TFSI (CAEA)	PR 1LD	Gasolina	FWD	1984	132	180	06.08-12.15	■	
2.0 TFSI (CDNB)	PR 1LD	Gasolina	FWD	1984	132	180	06.08-12.15	■	
2.0 TFSI (CFKA)	PR 1LD	Gasolina	FWD	1984	132	180	06.08-12.15	■	
2.0 TFSI quattro (CFKA)		Gasolina	4WD	1984	132	180	11.09-03.12	■	
2.0 TFSI (CAEB)	PR 1LD	Gasolina	FWD	1984	155	211	06.08-05.13	■	
2.0 TFSI (CDNC)	PR 1LD	Gasolina	FWD	1984	155	211	06.08-05.13	■	
2.0 TFSI quattro (CAEB)	PR 1LD	Gasolina	4WD	1984	155	211	06.08-12.15	■	
2.0 TFSI quattro (CDNC)	PR 1LD	Gasolina	4WD	1984	155	211	06.08-12.15	■	
2.0 TFSI quattro (CPMA)	PR 1LD	Gasolina	4WD	1984	155	211	06.08-12.15	■	
2.0 TFSI (CAED)	PR 1LD	Gasolina	FWD	1984	162	220	05.13-12.15	■	
2.0 TFSI quattro (CAED)	PR 1LD	Gasolina	4WD	1984	162	220	05.13-12.15	■	
2.0 TFSI quattro (CPMB)	PR 1LD	Gasolina	4WD	1984	162	220	05.13-12.15	■	
2.0 TFSI (CNCD)	PR 1LD	Gasolina	FWD	1984	165	224	05.13-12.15	■	
2.0 TFSI quattro (CNCD)	PR 1LD	Gasolina	4WD	1984	165	224	05.13-12.15	■	
3.0 TFSI quattro (CMUA)	PR 1LD	Gasolina	4WD	2995	200	272	02.12-12.15	■	
3.0 TFSI quattro (CRED)	PR 1LD	Gasolina	4WD	2995	200	272	02.12-12.15	■	

LISTA DE APLICACIONES - BUYERS GUIDE

S4 quattro (CAKA)	PR 1LJ, PR 1ZT, 07/11-	Gasolina	4WD	2995	245	333	11.08-12.15	■
S4 quattro (CCBA)	PR 1LJ, PR 1ZT, 07/11-	Gasolina	4WD	2995	245	333	11.08-12.15	■
S4 quattro (CGWC)	PR 1LJ, PR 1ZT, 07/11-	Gasolina	4WD	2995	245	333	11.08-12.15	■
S4 quattro (CGXC)	PR 1LJ, PR 1ZT, 07/11-	Gasolina	4WD	2995	245	333	11.08-12.15	■
S4 quattro (CREC)	PR 1LJ, PR 1ZT, 07/11-	Gasolina	4WD	2995	245	333	11.08-12.15	■
S4 quattro (CTUB)	PR 1LJ, PR 1ZT, 07/11-	Gasolina	4WD	2995	245	333	11.08-12.15	■
3.2 FSI (CALA)	PR 1LD	Gasolina	FWD	3197	195	265	09.08-03.12	■
3.2 FSI quattro (CALA)	PR 1LD	Gasolina	4WD	3197	195	265	11.07-03.12	■
2.0 TFSI flexible fuel (CFKA)	PR 1LD	Gasol./Etanol	FWD	1984	132	180	11.09-12.15	■
2.0 TFSI flexible fuel quattro (CFKA)	PR 1LD	Gasol./Etanol	4WD	1984	132	180	11.09-12.15	■
2.0 TDI (CAGC)	PR 1LD	Diesel	FWD	1968	88	120	06.08-12.15	■
2.0 TDI (CJCC)	PR 1LD	Diesel	FWD	1968	88	120	06.08-12.15	■
2.0 TDI (CAGB)	PR 1LD	Diesel	FWD	1968	100	136	11.07-12.15	■
2.0 TDI (CJCB)	PR 1LD	Diesel	FWD	1968	100	136	11.07-12.15	■
2.0 TDI (CSUB)	PR 1LD	Diesel	FWD	1968	100	136	11.07-12.15	■
2.0 TDI (CAGA)	PR 1LD	Diesel	FWD	1968	105	143	11.07-12.15	■
2.0 TDI (CJCA)	PR 1LD	Diesel	FWD	1968	105	143	11.07-12.15	■
2.0 TDI (CMEA)	PR 1LD	Diesel	FWD	1968	105	143	11.07-12.15	■
2.0 TDI (CMFA)	PR 1LD	Diesel	FWD	1968	105	143	11.07-12.15	■
2.0 TDI quattro (CAGA)	PR 1LD	Diesel	4WD	1968	105	143	11.08-12.15	■
2.0 TDI quattro (CJCA)	PR 1LD	Diesel	4WD	1968	105	143	11.08-12.15	■
2.0 TDI (CJCD)	PR 1LD	Diesel	FWD	1968	110	150	05.13-12.15	■
2.0 TDI (CMFB)	PR 1LD	Diesel	FWD	1968	110	150	05.13-12.15	■
2.0 TDI (CSUA)	PR 1LD	Diesel	FWD	1968	110	150	05.13-12.15	■
2.0 TDI quattro (CJCD)	PR 1LD	Diesel	4WD	1968	110	150	05.13-12.15	■
2.0 TDI quattro (CSUA)	PR 1LD	Diesel	4WD	1968	110	150	05.13-12.15	■
2.0 TDI (CAHB)	PR 1LD	Diesel	FWD	1968	120	163	08.08-12.15	■
2.0 TDI (CGLD)	PR 1LD	Diesel	FWD	1968	120	163	08.08-12.15	■
2.0 TDI (CNHC)	PR 1LD	Diesel	FWD	1968	120	163	08.08-12.15	■
2.0 TDI (CAHA)	PR 1LD	Diesel	FWD	1968	125	170	01.08-03.12	■
2.0 TDI quattro (CAHA)	PR 1LD	Diesel	4WD	1968	125	170	01.08-03.12	■
2.0 TDI (CGLC)	PR 1LD	Diesel	FWD	1968	130	177	11.11-12.15	■
2.0 TDI (CMGB)	PR 1LD	Diesel	FWD	1968	130	177	11.11-12.15	■
2.0 TDI quattro (CGLC)	PR 1LD	Diesel	4WD	1968	130	177	11.11-12.15	■
2.0 TDI (CNHA)	PR 1LD	Diesel	FWD	1968	140	190	09.13-12.15	■
2.0 TDI quattro (CNHA)	PR 1LD	Diesel	4WD	1968	140	190	09.13-12.15	■
2.7 TDI (CAMB)	PR 1LD	Diesel	FWD	2698	120	163	11.07-03.12	■
2.7 TDI (CGKB)	PR 1LD	Diesel	FWD	2698	120	163	11.07-03.12	■
2.7 TDI (CAMA)	PR 1LD	Diesel	FWD	2698	140	190	11.07-03.12	■
2.7 TDI (CGKA)	PR 1LD	Diesel	FWD	2698	140	190	11.07-03.12	■
3.0 TDI (CLAB)	PR 1LD	Diesel	FWD	2967	150	204	11.11-12.15	■
3.0 TDI quattro (CCWB)	PR 1LD	Diesel	4WD	2967	155	211	06.08-05.10	■
3.0 TDI quattro (CAPA)	PR 1LD	Diesel	4WD	2967	176	240	11.07-03.12	■
3.0 TDI quattro (CCLA)	PR 1LD	Diesel	4WD	2967	176	240	11.07-03.12	■
3.0 TDI quattro (CCWA)	PR 1LD	Diesel	4WD	2967	176	240	11.07-03.12	■
3.0 TDI quattro (CDUC)	PR 1LD	Diesel	4WD	2967	180	245	11.11-12.15	■
3.0 TDI quattro (CKVB)	PR 1LD	Diesel	4WD	2967	180	245	11.11-12.15	■
3.0 TDI quattro (CKVC)	PR 1LD	Diesel	4WD	2967	180	245	11.11-12.15	■
A4 IV B8 Avant (8K5) 11.07-06.17							Estate (Compact executive car-D Segment)	
1.8 TFSI (CDHA)	PR 1LD	Gasolina	FWD	1798	88	120	04.08-12.15	■

LISTA DE APLICACIONES - BUYERS GUIDE

1.8 TFSI (CABB)	PR 1LD, 04/08-	Gasolina	FWD	1798	118	160	11.07-03.12	■
1.8 TFSI (CDHB)	PR 1LD, 04/08-	Gasolina	FWD	1798	118	160	11.07-03.12	■
1.8 TFSI quattro (CDHB)	PR 1LD	Gasolina	4WD	1798	118	160	09.08-03.12	■
1.8 TFSI (CJEB)	PR 1LD, 01/12-	Gasolina	FWD	1798	125	170	11.11-12.15	■
1.8 TFSI quattro (CJEB)	PR 1LD, 01/12-	Gasolina	4WD	1798	125	170	11.11-12.15	■
2.0 TFSI (CDNB)	PR 1LD	Gasolina	FWD	1984	132	180	06.08-12.15	■
2.0 TFSI (CFKA)	PR 1LD	Gasolina	FWD	1984	132	180	06.08-12.15	■
2.0 TFSI (CAEB)	PR 1LD	Gasolina	FWD	1984	155	211	06.08-05.13	■
2.0 TFSI (CDNC)	PR 1LD	Gasolina	FWD	1984	155	211	06.08-05.13	■
2.0 TFSI quattro (CAEB)	PR 1LD	Gasolina	4WD	1984	155	211	06.08-12.15	■
2.0 TFSI quattro (CDNC)	PR 1LD	Gasolina	4WD	1984	155	211	06.08-12.15	■
2.0 TFSI (CNCD)	PR 1LD	Gasolina	FWD	1984	165	224	05.13-12.15	■
2.0 TFSI quattro (CNCD)	PR 1LD	Gasolina	4WD	1984	165	224	05.13-12.15	■
3.0 TFSI quattro (CMUA)	PR 1LD	Gasolina	4WD	2995	200	272	02.12-12.15	■
3.0 TFSI quattro (CRED)	PR 1LD	Gasolina	4WD	2995	200	272	02.12-12.15	■
S4 quattro (CAKA)	PR 1ZT, PR 1LJ, 07/11-	Gasolina	4WD	2995	245	333	11.08-12.15	■
S4 quattro (CCBA)	PR 1ZT, PR 1LJ, 07/11-	Gasolina	4WD	2995	245	333	11.08-12.15	■
S4 quattro (CGWC)	PR 1ZT, PR 1LJ, 07/11-	Gasolina	4WD	2995	245	333	11.08-12.15	■
S4 quattro (CGXC)	PR 1ZT, PR 1LJ, 07/11-	Gasolina	4WD	2995	245	333	11.08-12.15	■
S4 quattro (CREC)	PR 1ZT, PR 1LJ, 07/11-	Gasolina	4WD	2995	245	333	11.08-12.15	■
S4 quattro (CTUB)	PR 1ZT, PR 1LJ, 07/11-	Gasolina	4WD	2995	245	333	11.08-12.15	■
3.2 FSI (CALA)	PR 1LD	Gasolina	FWD	3197	195	265	09.08-03.12	■
3.2 FSI quattro (CALA)	PR 1LD	Gasolina	4WD	3197	195	265	04.08-03.12	■
2.0 TFSI flexible fuel (CFKA)	PR 1LD	Gasol./Etanol	FWD	1984	132	180	11.09-12.15	■
2.0 TFSI flexible fuel quattro (CFKA)	PR 1LD	Gasol./Etanol	4WD	1984	132	180	11.09-12.15	■
2.0 TDI (CAGC)	PR 1LD	Diesel	FWD	1968	88	120	06.08-12.15	■
2.0 TDI (CJCC)	PR 1LD	Diesel	FWD	1968	88	120	06.08-12.15	■
2.0 TDI (CAGB)	PR 1LD	Diesel	FWD	1968	100	136	04.08-12.15	■
2.0 TDI (CJCB)	PR 1LD	Diesel	FWD	1968	100	136	04.08-12.15	■
2.0 TDI (CSUB)	PR 1LD	Diesel	FWD	1968	100	136	04.08-12.15	■
2.0 TDI (CAGA)	PR 1LD	Diesel	FWD	1968	105	143	04.08-12.15	■
2.0 TDI (CJCA)	PR 1LD	Diesel	FWD	1968	105	143	04.08-12.15	■
2.0 TDI (CMEA)	PR 1LD	Diesel	FWD	1968	105	143	04.08-12.15	■
2.0 TDI (CMFA)	PR 1LD	Diesel	FWD	1968	105	143	04.08-12.15	■
2.0 TDI quattro (CAGA)	PR 1LD	Diesel	4WD	1968	105	143	04.08-12.15	■
2.0 TDI quattro (CJCA)	PR 1LD	Diesel	4WD	1968	105	143	04.08-12.15	■
2.0 TDI (CJCD)	PR 1LD	Diesel	FWD	1968	110	150	05.13-12.15	■
2.0 TDI (CMFB)	PR 1LD	Diesel	FWD	1968	110	150	05.13-12.15	■
2.0 TDI (CSUA)	PR 1LD	Diesel	FWD	1968	110	150	05.13-12.15	■
2.0 TDI (CAHB)	PR 1LD	Diesel	FWD	1968	120	163	08.08-12.15	■
2.0 TDI (CGLD)	PR 1LD	Diesel	FWD	1968	120	163	08.08-12.15	■
2.0 TDI (CNHC)	PR 1LD	Diesel	FWD	1968	120	163	08.08-12.15	■
2.0 TDI (CAHA)	PR 1LD	Diesel	FWD	1968	125	170	04.08-03.12	■
2.0 TDI quattro (CAHA)	PR 1LD	Diesel	4WD	1968	125	170	08.08-03.12	■
2.0 TDI (CGLC)	PR 1LD	Diesel	FWD	1968	130	177	11.11-12.15	■
2.0 TDI quattro (CGLC)	PR 1LD	Diesel	4WD	1968	130	177	11.11-12.15	■
2.0 TDI (CNHA)	PR 1LD	Diesel	FWD	1968	140	190	09.13-12.15	■
2.0 TDI quattro (CNHA)	PR 1LD	Diesel	4WD	1968	140	190	09.13-12.15	■
2.7 TDI (CAMB)	PR 1LD	Diesel	FWD	2698	120	163	04.08-03.12	■
2.7 TDI (CGKB)	PR 1LD	Diesel	FWD	2698	120	163	04.08-03.12	■
2.7 TDI (CAMA)	PR 1LD, 06/08-	Diesel	FWD	2698	140	190	04.08-03.12	■

LISTA DE APLICACIONES - BUYERS GUIDE

2.7 TDI (CGKA)	PR 1LD, 06/08-	Diesel	FWD	2698	140	190	04.08-03.12	■
3.0 TDI (CLAB)	PR 1LD	Diesel	FWD	2967	150	204	11.11-12.15	■
3.0 TDI quattro (CCWB)	PR 1LD	Diesel	4WD	2967	155	211	06.08-05.10	■
3.0 TDI quattro (CAPA)	PR 1LD	Diesel	4WD	2967	176	240	04.08-03.12	■
3.0 TDI quattro (CCLA)	PR 1LD	Diesel	4WD	2967	176	240	04.08-03.12	■
3.0 TDI quattro (CCWA)	PR 1LD	Diesel	4WD	2967	176	240	04.08-03.12	■
3.0 TDI quattro (CDUC)	PR 1LD	Diesel	4WD	2967	180	245	11.11-12.15	■
3.0 TDI quattro (CKVB)	PR 1LD	Diesel	4WD	2967	180	245	11.11-12.15	■
3.0 TDI quattro (CKVC)	PR 1LD	Diesel	4WD	2967	180	245	11.11-12.15	■
A5 (8F7) 02.09-10.17				Convertible (Compact executive car-D Segment)				
1.8 TFSI (CDHB)	PR 1LD	Gasolina	FWD	1798	118	160	09.09-03.12	■
1.8 TFSI (CJEB)	PR 1LD	Gasolina	FWD	1798	125	170	09.11-03.16	■
1.8 TFSI (CJEE)	PR 1LD	Gasolina	FWD	1798	130	177	05.15-01.17	■
2.0 TFSI (CAEA)	PR 1LD	Gasolina	FWD	1984	132	180	03.09-03.12	■
2.0 TFSI (CDNB)	PR 1LD	Gasolina	FWD	1984	132	180	03.09-03.12	■
2.0 TFSI (CAEB)	PR 1LD	Gasolina	FWD	1984	155	211	03.09-06.14	■
2.0 TFSI (CDNC)	PR 1LD	Gasolina	FWD	1984	155	211	03.09-06.14	■
2.0 TFSI quattro (CAEB)	PR 1LD	Gasolina	4WD	1984	155	211	03.09-01.17	■
2.0 TFSI quattro (CDNC)	PR 1LD	Gasolina	4WD	1984	155	211	03.09-01.17	■
2.0 TFSI quattro (CPMA)	PR 1LD	Gasolina	4WD	1984	155	211	03.09-01.17	■
2.0 TFSI (CAED)	PR 1LD	Gasolina	FWD	1984	162	220	05.13-12.14	■
2.0 TFSI quattro (CPMB)	PR 1LD, 05/13-	Gasolina	4WD	1984	162	220	03.12-01.17	■
2.0 TFSI (CNCD)	PR 1LD	Gasolina	FWD	1984	165	224	05.13-05.16	■
2.0 TFSI quattro (CNCD)	PR 1LD	Gasolina	4WD	1984	165	224	05.13-05.16	■
2.0 TFSI (CNCE)	PR 1LD	Gasolina	FWD	1984	169	230	08.15-01.17	■
2.0 TFSI quattro (CNCE)	PR 1LD	Gasolina	4WD	1984	169	230	08.15-01.17	■
3.0 TFSI quattro (CMUA)	PR 1LD, PR 1LJ	Gasolina	4WD	2995	200	272	11.11-01.17	■
3.0 TFSI quattro (CRED)	PR 1LD, PR 1LJ	Gasolina	4WD	2995	200	272	11.11-01.17	■
S5 quattro (CAKA)	PR 1LD, PR 1LJ, PR 1ZT, 07/11-	Gasolina	4WD	2995	245	333	06.09-01.17	■
S5 quattro (CCBA)	PR 1LD, PR 1LJ, PR 1ZT, 07/11-	Gasolina	4WD	2995	245	333	06.09-01.17	■
S5 quattro (CGWC)	PR 1LD, PR 1LJ, PR 1ZT, 07/11-	Gasolina	4WD	2995	245	333	06.09-01.17	■
S5 quattro (CGXC)	PR 1LD, PR 1LJ, PR 1ZT, 07/11-	Gasolina	4WD	2995	245	333	06.09-01.17	■
S5 quattro (CREC)	PR 1LD, PR 1LJ, PR 1ZT, 07/11-	Gasolina	4WD	2995	245	333	06.09-01.17	■
S5 quattro (CTDA)	PR 1LD, PR 1LJ, PR 1ZT, 07/11-	Gasolina	4WD	2995	245	333	06.09-01.17	■
S5 quattro (CTUB)	PR 1LD, PR 1LJ, PR 1ZT, 07/11-	Gasolina	4WD	2995	245	333	06.09-01.17	■
3.2 FSI (CALA)	PR 1LD	Gasolina	FWD	3197	195	265	03.09-03.12	■
3.2 FSI quattro (CALA)	PR 1LD	Gasolina	4WD	3197	195	265	03.09-03.12	■
2.0 TDI (CJCA)	PR 1LD, PR 1LJ, 11/11-	Diesel	FWD	1968	105	143	10.11-05.15	■
2.0 TDI (CJCD)	PR 1LD	Diesel	FWD	1968	110	150	05.13-01.17	■
2.0 TDI (CSUA)	PR 1LD	Diesel	FWD	1968	110	150	05.13-01.17	■
2.0 TDI (CAHB)	PR 1LD	Diesel	FWD	1968	120	163	05.09-06.14	■
2.0 TDI (CGLD)	PR 1LD	Diesel	FWD	1968	120	163	05.09-06.14	■
2.0 TDI (CAHA)	PR 1LD	Diesel	FWD	1968	125	170	05.09-03.12	■
2.0 TDI (CGLC)	PR 1LD	Diesel	FWD	1968	130	177	10.11-01.17	■
2.0 TDI quattro (CGLC)	PR 1LD, PR 1LJ	Diesel	4WD	1968	130	177	01.12-05.15	■
2.0 TDI (CNHA)	PR 1LD	Diesel	FWD	1968	140	190	09.13-01.17	■
2.0 TDI quattro (CNHA)	PR 1LD	Diesel	4WD	1968	140	190	09.13-01.17	■
2.7 TDI (CGKB)	PR 1LD	Diesel	FWD	2698	120	163	05.09-03.12	■

LISTA DE APLICACIONES - BUYERS GUIDE

2.7 TDI (CGKA)	PR 1LD	Diesel	FWD	2698	140	190	03.09-03.12	■	
3.0 TDI (CLAB)	PR 1LD	Diesel	FWD	2967	150	204	10.11-01.17	■	
3.0 TDI quattro (CKVD)	PR 1LD	Diesel	4WD	2967	160	218	05.15-01.17	■	
3.0 TDI quattro (CCWA)	PR 1LD	Diesel	4WD	2967	176	240	03.09-03.12	■	
3.0 TDI quattro (CDUC)	PR 1LD	Diesel	4WD	2967	180	245	10.11-01.17	■	
3.0 TDI quattro (CKVC)	PR 1LD	Diesel	4WD	2967	180	245	10.11-01.17	■	
A5 (8T3) 06.07-10.17							Coupe (Compact executive car-D Segment)		
1.8 TFSI (CDHB)	PR 1LD	Gasolina	FWD	1798	118	160	05.09-09.11	■	
1.8 TFSI (CABD)	PR 1LD	Gasolina	FWD	1798	125	170	10.07-01.17	■	
1.8 TFSI (CJEB)	PR 1LD	Gasolina	FWD	1798	125	170	10.07-01.17	■	
1.8 TFSI (CJEE)	PR 1LD	Gasolina	FWD	1798	130	177	05.15-01.17	■	
2.0 TFSI (CDNB)	PR 1LD	Gasolina	FWD	1984	132	180	11.08-03.12	■	
2.0 TFSI (CDNC)	PR 1LD	Gasolina	FWD	1984	155	211	06.08-11.13	■	
2.0 TFSI quattro (CAEB)	PR 1LD	Gasolina	4WD	1984	155	211	06.08-01.17	■	
2.0 TFSI quattro (CDNC)	PR 1LD	Gasolina	4WD	1984	155	211	06.08-01.17	■	
2.0 TFSI quattro (CPMA)	PR 1LD	Gasolina	4WD	1984	155	211	06.08-01.17	■	
2.0 TFSI quattro (CAED)	PR 1LD, 05/13-	Gasolina	4WD	1984	162	220	03.12-01.17	■	
2.0 TFSI quattro (CPMB)	PR 1LD, 05/13-	Gasolina	4WD	1984	162	220	03.12-01.17	■	
2.0 TFSI (CNCD)	PR 1LD	Gasolina	FWD	1984	165	224	05.13-05.16	■	
2.0 TFSI quattro (CNCD)	PR 1LD	Gasolina	4WD	1984	165	224	05.13-05.16	■	
2.0 TFSI (CNCE)	PR 1LD	Gasolina	FWD	1984	169	230	08.15-01.17	■	
2.0 TFSI quattro (CNCE)	PR 1LD	Gasolina	4WD	1984	169	230	08.15-01.17	■	
3.0 TFSI quattro (CHMB)	PR 1LD	Gasolina	4WD	2995	200	272	12.11-01.17	■	
3.0 TFSI quattro (CMUA)	PR 1LD	Gasolina	4WD	2995	200	272	12.11-01.17	■	
3.0 TFSI quattro (CRED)	PR 1LD	Gasolina	4WD	2995	200	272	12.11-01.17	■	
S5 quattro (CAKA)	PR 1LJ, PR 1LD, PR 1ZT	Gasolina	4WD	2995	245	333	10.11-01.17	■	
S5 quattro (CGWC)	PR 1LJ, PR 1LD, PR 1ZT	Gasolina	4WD	2995	245	333	10.11-01.17	■	
S5 quattro (CGXC)	PR 1LJ, PR 1LD, PR 1ZT	Gasolina	4WD	2995	245	333	10.11-01.17	■	
S5 quattro (CREC)	PR 1LJ, PR 1LD, PR 1ZT	Gasolina	4WD	2995	245	333	10.11-01.17	■	
S5 quattro (CTDA)	PR 1LJ, PR 1LD, PR 1ZT	Gasolina	4WD	2995	245	333	10.11-01.17	■	
S5 quattro (CTUB)	PR 1LJ, PR 1LD, PR 1ZT	Gasolina	4WD	2995	245	333	10.11-01.17	■	
3.2 FSI (CALA)	PR 1LD	Gasolina	FWD	3197	195	265	06.07-03.12	■	
3.2 FSI quattro (CALA)	PR 1LD	Gasolina	4WD	3197	195	265	06.07-03.12	■	
S5 quattro (CAUA)	PR 1LJ, PR 1LD, PR 1ZT	Gasolina	4WD	4163	260	354	06.07-03.12	■	
2.0 TDI (CAHB)	PR 1LD, 10/08-	Diesel	FWD	1968	120	163	08.08-01.17	■	
2.0 TDI (CGLD)	PR 1LD, 10/08-	Diesel	FWD	1968	120	163	08.08-01.17	■	
2.0 TDI (CNHC)	PR 1LD, 10/08-	Diesel	FWD	1968	120	163	08.08-01.17	■	
2.0 TDI (CAHA)	PR 1LD	Diesel	FWD	1968	125	170	08.08-03.12	■	
2.0 TDI quattro (CAHA)	PR 1LD	Diesel	4WD	1968	125	170	08.08-03.12	■	
2.0 TDI (CGLC)	PR 1LD	Diesel	FWD	1968	130	177	10.11-01.17	■	
2.0 TDI quattro (CGLC)	PR 1LD	Diesel	4WD	1968	130	177	12.11-01.17	■	
2.0 TDI (CNHA)	PR 1LD	Diesel	FWD	1968	140	190	09.13-01.17	■	
2.0 TDI quattro (CNHA)	PR 1LD	Diesel	4WD	1968	140	190	09.13-01.17	■	
2.7 TDI (CAMB)	PR 1LD	Diesel	FWD	2698	120	163	09.07-03.12	■	
2.7 TDI (CGKB)	PR 1LD	Diesel	FWD	2698	120	163	09.07-03.12	■	
2.7 TDI (CAMA)	PR 1LD	Diesel	FWD	2698	140	190	06.07-03.12	■	
2.7 TDI (CGKA)	PR 1LD	Diesel	FWD	2698	140	190	06.07-03.12	■	
3.0 TDI (CLAB)	PR 1LD	Diesel	FWD	2967	150	204	10.11-01.17	■	
3.0 TDI quattro (CCWB)	PR 1LD	Diesel	4WD	2967	155	211	03.08-05.10	■	
3.0 TDI quattro (CKVD)	PR 1LD	Diesel	4WD	2967	160	218	05.15-01.17	■	
3.0 TDI quattro (CAPA)	PR 1LD	Diesel	4WD	2967	176	240	06.07-03.12	■	

LISTA DE APLICACIONES - BUYERS GUIDE

3.0 TDI quattro (CCWA)	PR 1LD	Diesel	4WD	2967	176	240	06.07-03.12	■	
3.0 TDI quattro (CDUC)	PR 1LD	Diesel	4WD	2967	180	245	10.11-01.17	■	
3.0 TDI quattro (CKVB)	PR 1LD	Diesel	4WD	2967	180	245	10.11-01.17	■	
3.0 TDI quattro (CKVC)	PR 1LD	Diesel	4WD	2967	180	245	10.11-01.17	■	
A5 Sportback (8TA) 07.07-10.17					Hatchback (Compact executive car-D Segment)				
1.8 TFSI (CJED)	PR 1LD	Gasolina	FWD	1798	106	144	09.14-01.17	■	
1.8 TFSI (CDHB)	PR 1LD	Gasolina	FWD	1798	118	160	11.09-09.11	■	
1.8 TFSI (CJEB)	PR 1LD	Gasolina	FWD	1798	125	170	08.11-01.17	■	
1.8 TFSI (CJEE)	PR 1LD	Gasolina	FWD	1798	130	177	05.15-01.17	■	
2.0 TFSI (CDNB)	PR 1LD	Gasolina	FWD	1984	132	180	09.09-06.14	■	
2.0 TFSI (CDNC)	PR 1LD	Gasolina	FWD	1984	155	211	09.09-11.13	■	
2.0 TFSI quattro (CDNC)	PR 1LD	Gasolina	4WD	1984	155	211	09.09-01.17	■	
2.0 TFSI (CNCD)	PR 1LD	Gasolina	FWD	1984	165	224	05.13-05.16	■	
2.0 TFSI quattro (CNCD)	PR 1LD	Gasolina	4WD	1984	165	224	05.13-05.16	■	
2.0 TFSI (CNCE)	PR 1LD	Gasolina	FWD	1984	169	230	08.15-01.17	■	
2.0 TFSI quattro (CNCE)	PR 1LD	Gasolina	4WD	1984	169	230	08.15-01.17	■	
3.0 TFSI quattro (CHMB)	PR 1LD	Gasolina	4WD	2995	200	272	12.11-01.17	■	
3.0 TFSI quattro (CMUA)	PR 1LD	Gasolina	4WD	2995	200	272	12.11-01.17	■	
3.0 TFSI quattro (CRED)	PR 1LD	Gasolina	4WD	2995	200	272	12.11-01.17	■	
S5 quattro (CAKA)	PR 1LJ, 07/11-, PR 1LD, PR 1ZT	Gasolina	4WD	2995	245	333	01.10-01.17	■	
S5 quattro (CGWC)	PR 1LJ, 07/11-, PR 1LD, PR 1ZT	Gasolina	4WD	2995	245	333	01.10-01.17	■	
S5 quattro (CREC)	PR 1LJ, 07/11-, PR 1LD, PR 1ZT	Gasolina	4WD	2995	245	333	01.10-01.17	■	
S5 quattro (CTDA)	PR 1LJ, 07/11-, PR 1LD, PR 1ZT	Gasolina	4WD	2995	245	333	01.10-01.17	■	
3.2 FSI quattro (CALA)	PR 1LD	Gasolina	4WD	3197	195	265	09.09-03.12	■	
2.0 TDI (CAGB)	PR 1LD	Diesel	FWD	1968	100	136	09.09-01.17	■	
2.0 TDI (CJCB)	PR 1LD	Diesel	FWD	1968	100	136	09.09-01.17	■	
2.0 TDI (CSUB)	PR 1LD	Diesel	FWD	1968	100	136	09.09-01.17	■	
2.0 TDI (CAGA)	PR 1LD	Diesel	FWD	1968	105	143	09.09-01.17	■	
2.0 TDI (CJCA)	PR 1LD	Diesel	FWD	1968	105	143	09.09-01.17	■	
2.0 TDI (CMEA)	PR 1LD	Diesel	FWD	1968	105	143	09.09-01.17	■	
2.0 TDI (CMFA)	PR 1LD	Diesel	FWD	1968	105	143	09.09-01.17	■	
2.0 TDI (CJCD)	PR 1LD	Diesel	FWD	1968	110	150	05.13-01.17	■	
2.0 TDI (CMFB)	PR 1LD	Diesel	FWD	1968	110	150	05.13-01.17	■	
2.0 TDI (CSUA)	PR 1LD	Diesel	FWD	1968	110	150	05.13-01.17	■	
2.0 TDI (CAHB)	PR 1LD	Diesel	FWD	1968	120	163	09.09-01.17	■	
2.0 TDI (CGLD)	PR 1LD	Diesel	FWD	1968	120	163	09.09-01.17	■	
2.0 TDI (CNHC)	PR 1LD	Diesel	FWD	1968	120	163	09.09-01.17	■	
2.0 TDI (CAHA)	PR 1LD	Diesel	FWD	1968	125	170	09.09-03.12	■	
2.0 TDI quattro (CAHA)	PR 1LD	Diesel	4WD	1968	125	170	09.09-03.12	■	
2.0 TDI (CGLC)	PR 1LD	Diesel	FWD	1968	130	177	10.11-01.17	■	
2.0 TDI quattro (CGLC)	PR 1LD	Diesel	4WD	1968	130	177	12.11-01.17	■	
2.0 TDI (CNHA)	PR 1LD	Diesel	FWD	1968	140	190	09.13-01.17	■	
2.0 TDI quattro (CNHA)	PR 1LD	Diesel	4WD	1968	140	190	09.13-01.17	■	
2.7 TDI (CGKB)	PR 1LD	Diesel	FWD	2698	120	163	09.09-03.12	■	
2.7 TDI (CAMA)	PR 1LD	Diesel	FWD	2698	140	190	09.09-03.12	■	
2.7 TDI (CGKA)	PR 1LD	Diesel	FWD	2698	140	190	09.09-03.12	■	
3.0 TDI (CLAB)	PR 1LD	Diesel	FWD	2967	150	204	10.11-01.17	■	
3.0 TDI quattro (CKVD)	PR 1LD	Diesel	4WD	2967	160	218	05.15-01.17	■	
3.0 TDI quattro (CCWA)	PR 1LD	Diesel	4WD	2967	176	240	09.09-03.12	■	

LISTA DE APLICACIONES - BUYERS GUIDE

3.0 TDI quattro (CDUC)	PR 1LD	Diesel	4WD	2967	180	245	10.11-01.17	■	
3.0 TDI quattro (CKVB)	PR 1LD	Diesel	4WD	2967	180	245	10.11-01.17	■	
3.0 TDI quattro (CKVC)	PR 1LD	Diesel	4WD	2967	180	245	10.11-01.17	■	
A6 IV C7 (4G2, 4GC) 11.10-					Saloon (Executive car-E Segment)				
1.8 TFSI (CYGA)	PR 1LJ	Gasolina	FWD	1798	140	190	09.14-09.18	■	
2.0 TFSI (CDNB)	PR 1LJ	Gasolina	FWD	1984	132	180	05.11-09.18	■	
2.0 TFSI (CAEB)	PR 1LJ, 04/11-	Gasolina	FWD	1984	155	211	03.11-05.13	■	
2.0 TFSI quattro (CAEB)	PR 1LJ	Gasolina	4WD	1984	155	211	05.12-04.15	■	
2.0 TFSI (CAED)	PR 1LJ	Gasolina	FWD	1984	162	220	05.13-09.18	■	
2.0 TFSI quattro (CAED)	PR 1LJ	Gasolina	4WD	1984	162	220	05.13-09.18	■	
2.0 TFSI quattro (CYPB)	PR 1LJ	Gasolina	4WD	1984	183	249	05.15-09.18	■	
2.0 TFSI (CYNB)	PR 1LJ	Gasolina	FWD	1984	185	252	09.14-09.18	■	
2.0 TFSI (CYPA)	PR 1LJ	Gasolina	FWD	1984	185	252	09.14-09.18	■	
2.0 TFSI quattro (CYNB)	PR 1LJ	Gasolina	4WD	1984	185	252	05.14-09.18	■	
2.0 TFSI quattro (CYPA)	PR 1LJ	Gasolina	4WD	1984	185	252	05.14-09.18	■	
2.8 FSI (CHVA)	PR 1LJ, 04/11-	Gasolina	FWD	2773	150	204	11.10-04.15	■	
2.8 FSI quattro (CHVA)	PR 1LJ, 04/11-	Gasolina	4WD	2773	150	204	11.10-04.15	■	
2.8 FSI quattro (CVPA)	PR 1LJ	Gasolina	4WD	2773	162	220	09.14-09.18	■	
3.0		Gasolina	FWD	2995	213	290	11.11-	■	
3.0		Gasolina	FWD	2995	213	290	11.11-	■	
3.0 TFSI quattro (CCAA)	PR 1LJ, 04/11-	Gasolina	4WD	2995	220	300	11.10-05.12	■	
3.0 TFSI quattro (CGWB)	PR 1LJ, 04/11-	Gasolina	4WD	2995	220	300	11.10-05.12	■	
3.0 TFSI quattro (CGWD)	PR 1LJ, 04/11-	Gasolina	4WD	2995	228	310	03.11-09.18	■	
3.0 TFSI quattro (CGXB)	PR 1LJ, 04/11-	Gasolina	4WD	2995	228	310	03.11-09.18	■	
3.0 TFSI quattro (CTUA)	PR 1LJ, 04/11-	Gasolina	4WD	2995	228	310	03.11-09.18	■	
3.0 TFSI quattro (CREC)	PR 1LJ	Gasolina	4WD	2995	245	333	09.14-09.18	■	
S6 quattro (CEUC)	PR 1LJ, 04/12-	Gasolina	4WD	3993	309	420	02.12-09.18	■	
S6 quattro (CTGE)	PR 1LJ	Gasolina	4WD	3993	331	450	10.14-09.18	■	
2.0 TFSI Hybrid (CHJA)	PR 1LJ	Gasol./el éc.	FWD	1984	180	245	11.11-04.15	■	
2.0 TDI (CGLE)	PR 1LJ	Diesel	FWD	1968	100	136	01.12-09.18	■	
2.0 TDI (CSUE)	PR 1LJ	Diesel	FWD	1968	100	136	01.12-09.18	■	
2.0 TDI (CSUD)	PR 1LJ	Diesel	FWD	1968	110	150	09.14-09.18	■	
2.0 TDI (DDCB)	PR 1LJ	Diesel	FWD	1968	110	150	09.14-09.18	■	
2.0 TDI (CGLD)	PR 1LJ, 04/11-	Diesel	FWD	1968	120	163	03.11-09.18	■	
2.0 TDI (CGLC)	PR 1LJ, 04/11-	Diesel	FWD	1968	130	177	03.11-09.18	■	
2.0 TDI (CMGB)	PR 1LJ, 04/11-	Diesel	FWD	1968	130	177	03.11-09.18	■	
2.0 TDI (CNHA)	PR 1LJ	Diesel	FWD	1968	140	190	11.13-09.18	■	
2.0 TDI (CZJA)	PR 1LJ	Diesel	FWD	1968	140	190	11.13-09.18	■	
2.0 TDI (DDDA)	PR 1LJ	Diesel	FWD	1968	140	190	11.13-09.18	■	
2.0 TDI quattro (CNHA)	PR 1LJ	Diesel	4WD	1968	140	190	04.15-09.18	■	
2.0 TDI quattro (DDDA)	PR 1LJ	Diesel	4WD	1968	140	190	04.15-09.18	■	
3.0 TDI (CLAB)	PR 1LJ, 04/11-	Diesel	FWD	2967	150	204	11.10-09.18	■	
3.0 TDI quattro (CLAA)	PR 1LJ, 04/11-	Diesel	4WD	2967	150	204	03.11-09.18	■	
3.0 TDI (CTCB)	PR 1LJ	Diesel	FWD	2967	155	211	09.14-09.18	■	
3.0 TDI (CZVD)	PR 1LJ	Diesel	FWD	2967	155	211	09.14-09.18	■	
3.0 TDI quattro (CRTF)	PR 1LJ	Diesel	4WD	2967	155	211	09.14-09.18	■	
3.0 TDI quattro (CZVC)	PR 1LJ	Diesel	4WD	2967	155	211	09.14-09.18	■	
3.0 TDI (CTCC)	PR 1LJ	Diesel	FWD	2967	160	218	09.14-09.18	■	
3.0 TDI (CZVB)	PR 1LJ	Diesel	FWD	2967	160	218	09.14-09.18	■	
3.0 TDI quattro (CRTE)	PR 1LJ	Diesel	4WD	2967	160	218	09.14-09.18	■	
3.0 TDI quattro (CZVA)	PR 1LJ	Diesel	4WD	2967	160	218	09.14-09.18	■	

LISTA DE APLICACIONES - BUYERS GUIDE

3.0 TDI quattro	PR 1LJ	Diesel	4WD	2967	176	239	05.13-	■
3.0 TDI quattro (CDUC)	PR 1LJ, 04/11-	Diesel	4WD	2967	180	245	03.11-09.18	■
3.0 TDI quattro (CDUD)	PR 1LJ, 04/11-	Diesel	4WD	2967	180	245	03.11-09.18	■
3.0 TDI quattro (CKVB)	PR 1LJ, 04/11-	Diesel	4WD	2967	180	245	03.11-09.18	■
3.0 TDI quattro (CKVC)	PR 1LJ, 04/11-	Diesel	4WD	2967	180	245	03.11-09.18	■
3.0 TDI quattro (CRTD)	PR 1LJ	Diesel	4WD	2967	200	272	09.14-09.18	■
3.0 TDI quattro (CGQB)	PR 1LJ, 12/11-	Diesel	4WD	2967	230	313	11.11-09.18	■
3.0 TDI quattro (CVUA)	PR 1LJ	Diesel	4WD	2967	235	320	09.14-09.18	■
3.0 TDI quattro (CVUB)	PR 1LJ	Diesel	4WD	2967	240	326	09.14-09.18	■
A6 IV C7 Avant (4G5, 4GD) 05.11-				Estate (Executive car-E Segment)				
1.8 TFSI (CYGA)	PR 1LJ	Gasolina	FWD	1798	140	190	09.14-09.18	■
2.0 TFSI (CDNB)	PR 1LJ	Gasolina	FWD	1984	132	180	06.11-09.18	■
2.0 TFSI quattro (CYPB)	PR 1LJ	Gasolina	4WD	1984	183	249	05.15-09.18	■
2.0 TFSI (CYNB)	PR 1LJ	Gasolina	FWD	1984	185	252	09.14-09.18	■
2.0 TFSI (CYPA)	PR 1LJ	Gasolina	FWD	1984	185	252	09.14-09.18	■
2.0 TFSI quattro (CYPA)	PR 1LJ	Gasolina	4WD	1984	185	252	05.15-09.18	■
2.8 FSI (CHVA)	PR 1LJ, 09/11-	Gasolina	FWD	2773	150	204	05.11-04.15	■
2.8 FSI quattro (CHVA)	PR 1LJ, 09/11-	Gasolina	4WD	2773	150	204	05.11-04.15	■
3.0 TFSI quattro (CGWB)	PR 1LJ, 09/11-	Gasolina	4WD	2995	220	300	05.11-05.12	■
3.0 TFSI quattro (CGWD)	PR 1LJ	Gasolina	4WD	2995	228	310	11.11-09.18	■
3.0 TFSI quattro (CREC)	PR 1LJ	Gasolina	4WD	2995	245	333	09.14-09.18	■
S6 quattro (CEUC)	PR 1LJ, 04/12-	Gasolina	4WD	3993	309	420	02.12-09.18	■
S6 quattro (CTGE)	PR 1LJ	Gasolina	4WD	3993	331	450	10.14-09.18	■
2.0 TDI (CGLE)	PR 1LJ	Diesel	FWD	1968	100	136	01.12-09.18	■
2.0 TDI (CSUE)	PR 1LJ	Diesel	FWD	1968	100	136	01.12-09.18	■
2.0 TDI (DDCA)	PR 1LJ	Diesel	FWD	1968	100	136	01.12-09.18	■
2.0 TDI (CSUD)	PR 1LJ	Diesel	FWD	1968	110	150	09.14-09.18	■
2.0 TDI (DDCB)	PR 1LJ	Diesel	FWD	1968	110	150	09.14-09.18	■
2.0 TDI (CGLD)	PR 1LJ, 09/11-	Diesel	FWD	1968	120	163	05.11-09.18	■
2.0 TDI (CGLC)	PR 1LJ, 09/11-	Diesel	FWD	1968	130	177	05.11-09.18	■
2.0 TDI (CMGB)	PR 1LJ, 09/11-	Diesel	FWD	1968	130	177	05.11-09.18	■
2.0 TDI (CNHA)	PR 1LJ	Diesel	FWD	1968	140	190	11.13-09.18	■
2.0 TDI (CZJA)	PR 1LJ	Diesel	FWD	1968	140	190	11.13-09.18	■
2.0 TDI (DDDA)	PR 1LJ	Diesel	FWD	1968	140	190	11.13-09.18	■
2.0 TDI quattro (CNHA)	PR 1LJ	Diesel	4WD	1968	140	190	04.15-09.18	■
2.0 TDI quattro (DDDA)	PR 1LJ	Diesel	4WD	1968	140	190	04.15-09.18	■
3.0 TDI (CLAB)	PR 1LJ, 09/11-	Diesel	FWD	2967	150	204	05.11-09.18	■
3.0 TDI quattro (CLAA)	PR 1LJ, 09/11-	Diesel	4WD	2967	150	204	05.11-09.18	■
3.0 TDI (CTCB)	PR 1LJ	Diesel	FWD	2967	155	211	09.14-09.18	■
3.0 TDI (CZVD)	PR 1LJ	Diesel	FWD	2967	155	211	09.14-09.18	■
3.0 TDI quattro (CRTF)	PR 1LJ	Diesel	4WD	2967	155	211	09.14-09.18	■
3.0 TDI quattro (CZVC)	PR 1LJ	Diesel	4WD	2967	155	211	09.14-09.18	■
3.0 TDI (CTCC)	PR 1LJ	Diesel	FWD	2967	160	218	09.14-09.18	■
3.0 TDI (CZVB)	PR 1LJ	Diesel	FWD	2967	160	218	09.14-09.18	■
3.0 TDI quattro (CRTE)	PR 1LJ	Diesel	4WD	2967	160	218	09.14-09.18	■
3.0 TDI quattro (CZVA)	PR 1LJ	Diesel	4WD	2967	160	218	09.14-09.18	■
3.0 TDI quattro (CDUC)	PR 1LJ, 09/11-	Diesel	4WD	2967	180	245	05.11-09.18	■
3.0 TDI quattro (CDUD)	PR 1LJ, 09/11-	Diesel	4WD	2967	180	245	05.11-09.18	■
3.0 TDI quattro (CKVB)	PR 1LJ, 09/11-	Diesel	4WD	2967	180	245	05.11-09.18	■
3.0 TDI quattro (CKVC)	PR 1LJ, 09/11-	Diesel	4WD	2967	180	245	05.11-09.18	■
3.0 TDI quattro (CRTD)	PR 1LJ	Diesel	4WD	2967	200	272	09.14-09.18	■

LISTA DE APLICACIONES - BUYERS GUIDE

3.0 TDI quattro (CGQB)	PR 1LJ, 12/11-	Diesel	4WD	2967	230	313	11.11-09.18	■	
3.0 TDI quattro (CVUA)	PR 1LJ	Diesel	4WD	2967	235	320	09.14-09.18	■	
3.0 TDI quattro (CVUB)	PR 1LJ	Diesel	4WD	2967	240	326	09.14-09.18	■	
A7 Sportback (4GA, 4GF) 07.10-11.19					Hatchback (Executive car-E Segment)				
1.8 TFSI (CYGA)	PR 1LJ, PR 1LP	Gasolina	FWD	1798	140	190	04.15-05.18	■	
2.0 TFSI quattro (CYPB)	PR 1LJ, PR 1LP	Gasolina	4WD	1984	183	249	05.15-05.18	■	
2.0 TFSI (CYPA)	PR 1LJ, PR 1LP	Gasolina	FWD	1984	185	252	09.14-05.18	■	
2.0 TFSI quattro (CYNB)	PR 1LJ, PR 1LP	Gasolina	4WD	1984	185	252	05.15-05.18	■	
2.0 TFSI quattro (CYPA)	PR 1LJ, PR 1LP	Gasolina	4WD	1984	185	252	05.15-05.18	■	
2.8 FSI (CHVA)	PR 1LJ, PR 1LP, 05/11-	Gasolina	FWD	2773	150	204	02.11-03.15	■	
2.8 FSI quattro (CHVA)	PR 1LJ, PR 1LP	Gasolina	4WD	2773	150	204	10.10-03.15	■	
2.8 FSI quattro (CNYA)	PR 1LJ, PR 1LP	Gasolina	4WD	2773	150	204	10.10-03.15	■	
3.0 TFSI quattro (CGWB)	PR 1LJ, PR 1LP	Gasolina	4WD	2995	220	300	10.10-05.12	■	
3.0 TFSI quattro (CHMA)	PR 1LJ, PR 1LP	Gasolina	4WD	2995	220	300	10.10-05.12	■	
3.0 TFSI quattro (CGWD)	PR 1LJ, PR 1LP	Gasolina	4WD	2995	228	310	01.11-03.15	■	
3.0 TFSI quattro (CGXB)	PR 1LJ, PR 1LP	Gasolina	4WD	2995	228	310	01.11-03.15	■	
3.0 TFSI quattro (CTTA)	PR 1LJ, PR 1LP	Gasolina	4WD	2995	228	310	01.11-03.15	■	
3.0 TFSI quattro (CTUA)	PR 1LJ, PR 1LP	Gasolina	4WD	2995	228	310	01.11-03.15	■	
3.0 TFSI quattro (CREC)	PR 1LJ, PR 1LP	Gasolina	4WD	2995	245	333	05.14-05.18	■	
S7 quattro (CEUC)	PR 1LJ, PR 1LP	Gasolina	4WD	3993	309	420	02.12-03.15	■	
S7 quattro (CTGE)	PR 1LJ, PR 1LP	Gasolina	4WD	3993	331	450	07.14-05.18	■	
3.0 TDI (CZVE)	PR 1LJ, PR 1LP	Diesel	FWD	2967	140	190	11.15-05.18	■	
3.0 TDI quattro (CZVE)	PR 1LJ, PR 1LP	Diesel	4WD	2967	140	190	11.15-05.18	■	
3.0 TDI quattro (CZVF)	PR 1LJ, PR 1LP	Diesel	4WD	2967	140	190	11.15-05.18	■	
3.0 TDI (CLAB)	PR 1LJ, PR 1LP	Diesel	FWD	2967	150	204	11.10-03.15	■	
3.0 TDI quattro (CLAA)	PR 1LJ, PR 1LP	Diesel	4WD	2967	150	204	12.10-03.15	■	
3.0 TDI (CZVD)	PR 1LJ, PR 1LP	Diesel	FWD	2967	155	211	11.15-05.18	■	
3.0 TDI quattro (CRTF)	PR 1LJ, PR 1LP	Diesel	4WD	2967	155	211	07.14-05.18	■	
3.0 TDI quattro (CTCB)	PR 1LJ, PR 1LP	Diesel	4WD	2967	155	211	07.14-05.18	■	
3.0 TDI quattro (CZVC)	PR 1LJ, PR 1LP	Diesel	4WD	2967	155	211	07.14-05.18	■	
3.0 TDI (CTCC)	PR 1LJ, PR 1LP	Diesel	FWD	2967	160	218	07.14-05.18	■	
3.0 TDI (CZVB)	PR 1LJ, PR 1LP	Diesel	FWD	2967	160	218	07.14-05.18	■	
3.0 TDI quattro (CRTE)	PR 1LJ, PR 1LP	Diesel	4WD	2967	160	218	07.14-05.18	■	
3.0 TDI quattro (CZVA)	PR 1LJ, PR 1LP	Diesel	4WD	2967	160	218	07.14-05.18	■	
3.0 TDI quattro (CPNB)	PR 1LJ, PR 1LP	Diesel	4WD	2967	176	239	05.13-06.17	■	
3.0 TDI quattro (CDUC)	PR 1LJ, PR 1LP	Diesel	4WD	2967	180	245	10.10-06.16	■	
3.0 TDI quattro (CDUD)	PR 1LJ, PR 1LP	Diesel	4WD	2967	180	245	10.10-06.16	■	
3.0 TDI quattro (CKVB)	PR 1LJ, PR 1LP	Diesel	4WD	2967	180	245	10.10-06.16	■	
3.0 TDI quattro (CKVC)	PR 1LJ, PR 1LP	Diesel	4WD	2967	180	245	10.10-06.16	■	
3.0 TDI quattro (CRTD)	PR 1LJ, PR 1LP	Diesel	4WD	2967	200	272	05.14-05.18	■	
3.0 TDI quattro (CGQB)	PR 1LJ, PR 1LP	Diesel	4WD	2967	230	313	11.11-03.15	■	
3.0 TDI quattro (CVUA)	PR 1LJ, PR 1LP	Diesel	4WD	2967	235	320	05.14-05.18	■	
3.0 TDI quattro (CVUB)	PR 1LJ, PR 1LP	Diesel	4WD	2967	240	326	09.14-05.18	■	
Q5 (U.S.A. 8R) 09.08-12.10					Closed Off-Road Vehicle (Luxury Crossover SUV-J Segment)				
3.2	PR 1LE, PR 1LJ, PR 1LP, PR 1LZ	Gasolina	FWD		201	274	09.08-12.10	■	
Q5 (8RB) 11.08-12.17					SUV Van (Luxury Crossover SUV-J Segment)				
2.0 TFSI quattro	PR 1LE, PR 1LJ, PR 1LP, PR 1LZ	Gasolina	4WD	1984	155	211	11.08-09.12	■	
3.2 FSI quattro	PR 1LE, PR 1LJ, PR 1LP, PR 1LZ	Gasolina	4WD	3197	199	271	11.08-09.12	■	

LISTA DE APLICACIONES - BUYERS GUIDE

2.0 TDI	PR 1LJ, PR 1LE, PR 1LP, PR 1ZT	Diesel	FWD	1968	100	136	05.14-05.17	■
2.0 TDI	PR 1LJ, PR 1LE, PR 1LP, PR 1ZT	Diesel	FWD	1968	105	143	11.11-05.13	■
2.0 TDI	PR 1LJ, PR 1LE, PR 1LP, PR 1ZT	Diesel	FWD	1968	110	150	06.12-05.17	■
2.0 TDI quattro	PR 1LE, PR 1LJ, PR 1LP, PR 1LZ	Diesel	4WD	1968	125	170	11.08-09.12	■
2.0 TDI quattro	PR 1LE, PR 1LJ, PR 1LP, PR 1LZ, 09/12-	Diesel	4WD	1968	130	177	07.12-06.14	■
2.0 TDI	PR 1LJ, PR 1LE, PR 1LP, PR 1ZT	Diesel	FWD	1968	140	190	05.15-05.17	■
3.0 TDI quattro	PR 1LE, PR 1LJ, PR 1LP, PR 1LZ	Diesel	4WD	2967	176	239	11.08-04.13	■
3.0 TDI quattro	PR 1LE, PR 1LJ, PR 1LP, PR 1LZ, 09/12-	Diesel	4WD	2967	180	245	06.12-05.17	■
3.0 TDI quattro	PR 1LE, PR 1LP, PR 1LZ, PR 1LJ	Diesel	4WD	2967	190	258	11.13-05.17	■
3.0 SQ5 TDI quattro		Diesel	4WD	2967	230	313	12.12-05.15	■
Q5 (8RB) 11.08-						SUV (Luxury Crossover SUV-J Segment)		
2.0 TFSI quattro	PR 1LE, PR 1LJ, PR 1LP, PR 1LZ, 09/12-	Gasolina	4WD	1984	130	177	09.09-10.09	■
2.0 TFSI quattro (CDNB)	PR 1LE, PR 1LP, PR 1LZ, PR 1LJ, 07/11-	Gasolina	4WD	1984	132	180	08.09-05.17	■
2.0 TFSI quattro (CNCB)	PR 1LE, PR 1LP, PR 1LZ, PR 1LJ, 07/11-	Gasolina	4WD	1984	132	180	08.09-05.17	■
2.0 TFSI quattro (CAEB)	PR 1LE, PR 1LJ, PR 1LP, PR 1LZ	Gasolina	4WD	1984	155	211	11.08-09.12	■
2.0 TFSI quattro (CDNC)	PR 1LE, PR 1LJ, PR 1LP, PR 1LZ	Gasolina	4WD	1984	155	211	11.08-09.12	■
2.0 TFSI quattro (CPMB)	PR 1LE, PR 1LP, PR 1LZ, PR 1LJ	Gasolina	4WD	1984	162	220	05.13-05.17	■
2.0 TFSI quattro (CNCD)	PR 1LE, PR 1LJ, PR 1LP, PR 1LZ, 09/12-	Gasolina	4WD	1984	165	224	06.12-05.16	■
2.0 TFSI quattro (CNCE)	PR 1LE, PR 1LP, PR 1LZ, PR 1LJ	Gasolina	4WD	1984	169	230	08.15-05.17	■
3.0 TFSI quattro (CTUC)	PR 1LE, PR 1LJ, PR 1LP, PR 1LZ, 09/12-	Gasolina	4WD	2995	200	272	06.12-05.17	■
3.0 TFSI quattro (CTVA)	PR 1LE, PR 1LJ, PR 1LP, PR 1LZ, 09/12-	Gasolina	4WD	2995	200	272	06.12-05.17	■
3.2 FSI quattro (CALB)	PR 1LE, PR 1LJ, PR 1LP, PR 1LZ	Gasolina	4WD	3197	199	270	11.08-12.12	■
2.0 TFSI Hybrid quattro (CHJA)	PR 1LE, PR 1LP, PR 1LZ, PR 1LJ, 07/11-	Gasol./el éc.	4WD	1984	180	245	06.11-06.16	■
2.0 TFSI Hybrid quattro (CHJA)	PR 1LE, PR 1LJ, PR 1LP, PR 1LZ	Gasol./el éc.	4WD	1984	180	245	09.12-05.16	■
2.0 TDI (CJCB)	PR 1LJ, 07/11-, PR 1LE, PR 1LP, PR 1ZT	Diesel	FWD	1968	100	136	11.10-05.17	■
2.0 TDI (CSUB)	PR 1LJ, 07/11-, PR 1LE, PR 1LP, PR 1ZT	Diesel	FWD	1968	100	136	11.10-05.17	■
2.0 TDI quattro (CAGB)	PR 1LJ, PR 1LE, PR 1LP, PR 1ZT	Diesel	4WD	1968	100	136	08.09-05.17	■
2.0 TDI quattro (CJCB)	PR 1LJ, PR 1LE, PR 1LP, PR 1ZT	Diesel	4WD	1968	100	136	08.09-05.17	■
2.0 TDI quattro (CSUB)	PR 1LJ, PR 1LE, PR 1LP, PR 1ZT	Diesel	4WD	1968	100	136	08.09-05.17	■
2.0 TDI (CJCA)	PR 1LJ, PR 1LE, PR 1LP, PR 1ZT	Diesel	FWD	1968	105	143	11.10-05.13	■
2.0 TDI quattro (CAGA)	PR 1LJ, PR 1LE, PR 1LP, PR 1ZT	Diesel	4WD	1968	105	143	08.09-05.13	■
2.0 TDI quattro (CJCA)	PR 1LJ, PR 1LE, PR 1LP, PR 1ZT	Diesel	4WD	1968	105	143	08.09-05.13	■
2.0 TDI (CJCD)	PR 1LJ, PR 1LE, PR 1LP, PR 1ZT	Diesel	FWD	1968	110	150	05.13-05.17	■
2.0 TDI (CSUA)	PR 1LJ, PR 1LE, PR 1LP, PR 1ZT	Diesel	FWD	1968	110	150	05.13-05.17	■
2.0 TDI quattro (CJCD)	PR 1LJ, PR 1LE, PR 1LP, PR 1ZT	Diesel	4WD	1968	110	150	05.13-05.17	■

LISTA DE APLICACIONES - BUYERS GUIDE

2.0 TDI quattro (CSUA)	PR 1LJ, PR 1LE, PR 1LP, PR 1ZT	Diesel	4WD	1968	110	150	05.13-05.17	■	
2.0 TDI quattro (CAHB)	PR 1LJ, PR 1LE, PR 1LP, PR 1ZT	Diesel	4WD	1968	120	163	11.08-05.17	■	
2.0 TDI quattro (CGLA)	PR 1LJ, PR 1LE, PR 1LP, PR 1ZT	Diesel	4WD	1968	120	163	11.08-05.17	■	
2.0 TDI quattro (CGLD)	PR 1LJ, PR 1LE, PR 1LP, PR 1ZT	Diesel	4WD	1968	120	163	11.08-05.17	■	
2.0 TDI quattro (CNHC)	PR 1LJ, PR 1LE, PR 1LP, PR 1ZT	Diesel	4WD	1968	120	163	11.08-05.17	■	
2.0 TDI quattro (CAHA)	PR 1LE, PR 1LJ, PR 1LP, PR 1LZ	Diesel	4WD	1968	125	170	11.08-09.12	■	
2.0 TDI quattro (CGLB)	PR 1LE, PR 1LJ, PR 1LP, PR 1LZ	Diesel	4WD	1968	125	170	11.08-09.12	■	
2.0 TDI quattro (CMGA)	PR 1LE, PR 1LJ, PR 1LP, PR 1LZ	Diesel	4WD	1968	125	170	11.08-09.12	■	
2.0 TDI quattro (CGLC)	PR 1LE, PR 1LJ, PR 1LP, PR 1ZT	Diesel	4WD	1968	130	177	06.12-05.17	■	
2.0 TDI quattro (CMGB)	PR 1LE, PR 1LJ, PR 1LP, PR 1ZT	Diesel	4WD	1968	130	177	06.12-05.17	■	
2.0 TDI (CNHA)	PR 1LJ, PR 1LE, PR 1LP, PR 1ZT	Diesel	FWD	1968	140	190	09.15-05.17	■	
2.0 TDI quattro (CNHA)	PR 1LJ, PR 1LE, PR 1LP, PR 1ZT	Diesel	4WD	1968	140	190	11.13-05.17	■	
3.0 TDI quattro (CCWB)	PR 1LE, PR 1LJ, PR 1LP, PR 1LZ	Diesel	4WD	2967	155	211	11.08-09.12	■	
3.0 TDI quattro (CCWA)	PR 1LE, PR 1LJ, PR 1LP, PR 1LZ	Diesel	4WD	2967	176	240	11.08-05.17	■	
3.0 TDI quattro (CPNB)	PR 1LE, PR 1LJ, PR 1LP, PR 1LZ	Diesel	4WD	2967	176	240	11.08-05.17	■	
3.0 TDI quattro (CDUD)	PR 1LE, PR 1LJ, PR 1LP, PR 1LZ, 09/12-	Diesel	4WD	2967	180	245	06.12-05.17	■	
3.0 TDI quattro (CTBC)	PR 1LE, PR 1LJ, PR 1LP, PR 1LZ, 09/12-	Diesel	4WD	2967	184	250	06.12-05.17	■	
3.0 TDI quattro (CTBA)	PR 1LE, PR 1LP, PR 1LZ, PR 1LJ	Diesel	4WD	2967	190	258	11.13-05.17	■	
SQ5 TDI quattro (CGQB)		Diesel	4WD	2967	230	313	12.12-11.15	■	
SQ5 TDI quattro (CVUC)		Diesel	4WD	2967	230	313	12.12-11.15	■	
SQ5 TDI quattro (CVUB)		Diesel	4WD	2967	240	326	04.15-05.17	■	
TT III (FV9, FVR) 11.14-					Convertible (Sports car-S Segment)				
2.0 TFSI (CHHC)	PR 1LJ	Gasolina	FWD	1984	169	230	11.14-	■	
PORSCHE									
MACAN (95B) 02.14-					SUV (Compact SUV-J Segment)				
2.0 (MCN.CC)		Gasolina	4WD	1984	174	237	05.14-09.18	■	
2.0 (MCY.NA)		Gasolina	4WD	1984	174	237	05.14-09.18	■	
2.0 (DKNA)		Gasolina	4WD	1984	180	245	05.18-	■	
2.0 (DLHB)		Gasolina	4WD	1984	185	252	05.15-	■	
2.0 (MCY.NB)		Gasolina	4WD	1984	185	252	05.15-	■	
2.0 (MCY.PA)		Gasolina	4WD	1984	185	252	05.15-	■	
2.0 (95BAU1)		Gasolina	4WD	1984	195	265	05.18-	■	
2.9 S (95BBV1) (DGRB)		Gasolina	4WD	2894	280	380	05.21-	■	
2.9 GTS AWD (95BBW1) (DGRC)		Gasolina	4WD	2894	324	441	05.21-	■	
3.0S (MCT.MA)		Gasolina	4WD	2997	250	340	02.14-09.18	■	
3.0 GTS (MDC.NA)		Gasolina	4WD	2997	265	360	10.15-09.18	■	
3.6 Turbo (MCT.LA)		Gasolina	4WD	3604	294	400	02.14-09.18	■	
3.0 S Diesel (MCT.BB)		Diesel	4WD	2967	155	211	02.14-09.18	■	
3.0 S Diesel (MCD.UD)		Diesel	4WD	2967	180	245	02.14-09.18	■	
3.0 S Diesel (MCT.BC)		Diesel	4WD	2967	184	250	02.14-09.18	■	
3.0 S Diesel (MCT.BA)		Diesel	4WD	2967	190	258	02.14-09.18	■	