

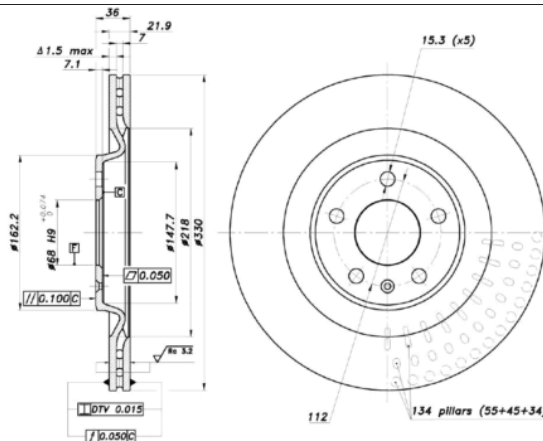
LISTA DE APLICACIONES - BUYERS GUIDE

78BD4152-2



Weight: 15.000

| O.E.M. | MAKE |
|------------|---------|
| 4H0615601D | SKODA |
| 4H0615601H | VW |
| 4H0615601K | VW |
| 4H0615601Q | VW |
| 80A615601A | AUDI |
| 80A615601C | VW |
| 8W0615601E | VW |
| 8W0615601K | SKODA |
| 95B615601A | PORSCHE |
| 95B615601F | PORSCHE |
| 95B615601G | PORSCHE |



78BD4152-2



Ø330x22x36

| MAKE |
|------------|
| AUDI |
| AUDI (FAW) |
| PORSCHE |
| VW |
| VW (SVW) |



| Trac. | CC | Kw | CV |
|-------|----|----|----|
|-------|----|----|----|



Front / Rear

AUDI

| A4 IV Allroad B8 (8KH) 04.09-06.17 | | | | | | | Estate (Compact executive car-D Segment) | | | |
|------------------------------------|----------------|----------|-----|------|-----|-----|--|---|--|--|
| 3.0 TDI quattro (CDUC) | PR 1KP | Diesel | 4WD | 2967 | 180 | 245 | 01.12-05.16 | ■ | | |
| 3.0 TDI quattro (CKVB) | PR 1KP | Diesel | 4WD | 2967 | 180 | 245 | 01.12-05.16 | ■ | | |
| 3.0 TDI quattro (CKVC) | PR 1KP | Diesel | 4WD | 2967 | 180 | 245 | 01.12-05.16 | ■ | | |
| A4 IV B8 (8K2) 08.07-06.17 | | | | | | | Saloon (Compact executive car-D Segment) | | | |
| 2.0 TFSI (CAEA) | PR 1KE | Gasolina | FWD | 1984 | 132 | 180 | 06.08-12.15 | ■ | | |
| 2.0 TFSI (CDNB) | PR 1KE | Gasolina | FWD | 1984 | 132 | 180 | 06.08-12.15 | ■ | | |
| 2.0 TFSI (CFKA) | PR 1KE | Gasolina | FWD | 1984 | 132 | 180 | 06.08-12.15 | ■ | | |
| 2.0 TFSI quattro (CFKA) | PR 1KE | Gasolina | 4WD | 1984 | 132 | 180 | 11.09-03.12 | ■ | | |
| 2.0 TFSI (CAEB) | PR 1KE | Gasolina | FWD | 1984 | 155 | 211 | 06.08-05.13 | ■ | | |
| 2.0 TFSI (CDNC) | PR 1KE | Gasolina | FWD | 1984 | 155 | 211 | 06.08-05.13 | ■ | | |
| 2.0 TFSI (CAED) | PR 1KE, PR 1KP | Gasolina | FWD | 1984 | 162 | 220 | 05.13-12.15 | ■ | | |
| 2.0 TFSI quattro (CAED) | PR 1KE, PR 1KP | Gasolina | 4WD | 1984 | 162 | 220 | 05.13-12.15 | ■ | | |
| 2.0 TFSI quattro (CPMB) | PR 1KE, PR 1KP | Gasolina | 4WD | 1984 | 162 | 220 | 05.13-12.15 | ■ | | |
| 2.0 TFSI (CNCD) | PR 1KE, PR 1KP | Gasolina | FWD | 1984 | 165 | 224 | 05.13-12.15 | ■ | | |
| 2.0 TFSI quattro (CNCD) | PR 1KE, PR 1KP | Gasolina | 4WD | 1984 | 165 | 224 | 05.13-12.15 | ■ | | |
| 3.0 TFSI quattro (CMUA) | PR 1KE | Gasolina | 4WD | 2995 | 200 | 272 | 02.12-12.15 | ■ | | |
| 3.0 TFSI quattro (CRED) | PR 1KE | Gasolina | 4WD | 2995 | 200 | 272 | 02.12-12.15 | ■ | | |
| S4 quattro (CAKA) | PR 1KE | Gasolina | 4WD | 2995 | 245 | 333 | 11.08-12.15 | ■ | | |
| S4 quattro (CCBA) | PR 1KE | Gasolina | 4WD | 2995 | 245 | 333 | 11.08-12.15 | ■ | | |
| S4 quattro (CGWC) | PR 1KE | Gasolina | 4WD | 2995 | 245 | 333 | 11.08-12.15 | ■ | | |
| S4 quattro (CGXC) | PR 1KE | Gasolina | 4WD | 2995 | 245 | 333 | 11.08-12.15 | ■ | | |
| S4 quattro (CREC) | PR 1KE | Gasolina | 4WD | 2995 | 245 | 333 | 11.08-12.15 | ■ | | |

LISTA DE APLICACIONES - BUYERS GUIDE

| | | | | | | | | | |
|--|--|---------------|-----|------|-----|-----|---|---|--|
| S4 quattro (CTUB) | PR 1KE | Gasolina | 4WD | 2995 | 245 | 333 | 11.08-12.15 | ■ | |
| 2.0 TFSI flexible fuel (CFKA) | PR 1KE | Gasol./Etanol | FWD | 1984 | 132 | 180 | 11.09-12.15 | ■ | |
| 2.0 TFSI flexible fuel quattro (CFKA) | PR 1KE | Gasol./Etanol | 4WD | 1984 | 132 | 180 | 11.09-12.15 | ■ | |
| 2.0 TDI (CJCD) | PR 1KE, PR 1KP | Diesel | FWD | 1968 | 110 | 150 | 05.13-12.15 | ■ | |
| 2.0 TDI (CMFB) | PR 1KE, PR 1KP | Diesel | FWD | 1968 | 110 | 150 | 05.13-12.15 | ■ | |
| 2.0 TDI (CSUA) | PR 1KE, PR 1KP | Diesel | FWD | 1968 | 110 | 150 | 05.13-12.15 | ■ | |
| 2.0 TDI quattro (CJCD) | PR 1KE, PR 1KP | Diesel | 4WD | 1968 | 110 | 150 | 05.13-12.15 | ■ | |
| 2.0 TDI quattro (CSUA) | PR 1KE, PR 1KP | Diesel | 4WD | 1968 | 110 | 150 | 05.13-12.15 | ■ | |
| 2.0 TDI (CNHA) | PR 1KE, PR 1KP | Diesel | FWD | 1968 | 140 | 190 | 09.13-12.15 | ■ | |
| 2.0 TDI quattro (CNHA) | PR 1KE, PR 1KP | Diesel | 4WD | 1968 | 140 | 190 | 09.13-12.15 | ■ | |
| 2.7 TDI (CAMB) | PR 1KE | Diesel | FWD | 2698 | 120 | 163 | 11.07-03.12 | ■ | |
| 2.7 TDI (CGKB) | PR 1KE | Diesel | FWD | 2698 | 120 | 163 | 11.07-03.12 | ■ | |
| 3.0 TDI quattro (CCWB) | PR 1KE | Diesel | 4WD | 2967 | 155 | 211 | 06.08-05.10 | ■ | |
| 3.0 TDI quattro (CAPA) | PR 1KE | Diesel | 4WD | 2967 | 176 | 240 | 11.07-03.12 | ■ | |
| 3.0 TDI quattro (CCLA) | PR 1KE | Diesel | 4WD | 2967 | 176 | 240 | 11.07-03.12 | ■ | |
| 3.0 TDI quattro (CCWA) | PR 1KE | Diesel | 4WD | 2967 | 176 | 240 | 11.07-03.12 | ■ | |
| A4 IV B8 Avant (8K5) 11.07-06.17 | | | | | | | Estate (Compact executive car-D Segment) | | |
| 2.0 TFSI (CDNB) | PR 1KE | Gasolina | FWD | 1984 | 132 | 180 | 06.08-12.15 | ■ | |
| 2.0 TFSI (CFKA) | PR 1KE | Gasolina | FWD | 1984 | 132 | 180 | 06.08-12.15 | ■ | |
| 2.0 TFSI (CNCD) | PR 1KE, PR 1KP | Gasolina | FWD | 1984 | 165 | 224 | 05.13-12.15 | ■ | |
| 2.0 TFSI quattro (CNCD) | PR 1KE, PR 1KP | Gasolina | 4WD | 1984 | 165 | 224 | 05.13-12.15 | ■ | |
| 3.0 TFSI quattro (CMUA) | PR 1KE, PR 1KP | Gasolina | 4WD | 2995 | 200 | 272 | 02.12-12.15 | ■ | |
| 3.0 TFSI quattro (CRED) | PR 1KE, PR 1KP | Gasolina | 4WD | 2995 | 200 | 272 | 02.12-12.15 | ■ | |
| S4 quattro (CAKA) | PR 1KE | Gasolina | 4WD | 2995 | 245 | 333 | 11.08-12.15 | ■ | |
| S4 quattro (CCBA) | PR 1KE | Gasolina | 4WD | 2995 | 245 | 333 | 11.08-12.15 | ■ | |
| S4 quattro (CGWC) | PR 1KE | Gasolina | 4WD | 2995 | 245 | 333 | 11.08-12.15 | ■ | |
| S4 quattro (CGXC) | PR 1KE | Gasolina | 4WD | 2995 | 245 | 333 | 11.08-12.15 | ■ | |
| S4 quattro (CREC) | PR 1KE | Gasolina | 4WD | 2995 | 245 | 333 | 11.08-12.15 | ■ | |
| S4 quattro (CTUB) | PR 1KE | Gasolina | 4WD | 2995 | 245 | 333 | 11.08-12.15 | ■ | |
| 2.0 TFSI flexible fuel (CFKA) | PR 1KE | Gasol./Etanol | FWD | 1984 | 132 | 180 | 11.09-12.15 | ■ | |
| 2.0 TFSI flexible fuel quattro (CFKA) | PR 1KE | Gasol./Etanol | 4WD | 1984 | 132 | 180 | 11.09-12.15 | ■ | |
| 2.0 TDI (CJCD) | PR 1KE, PR 1KP | Diesel | FWD | 1968 | 110 | 150 | 05.13-12.15 | ■ | |
| 2.0 TDI (CMFB) | PR 1KE, PR 1KP | Diesel | FWD | 1968 | 110 | 150 | 05.13-12.15 | ■ | |
| 2.0 TDI (CSUA) | PR 1KE, PR 1KP | Diesel | FWD | 1968 | 110 | 150 | 05.13-12.15 | ■ | |
| 2.0 TDI quattro (CJCD) | PR 1KE, PR 1KP | Diesel | 4WD | 1968 | 110 | 150 | 05.13-12.15 | ■ | |
| 2.0 TDI quattro (CSUA) | PR 1KE, PR 1KP | Diesel | 4WD | 1968 | 110 | 150 | 05.13-12.15 | ■ | |
| 2.0 TDI (CNHA) | PR 1KE, PR 1KP | Diesel | FWD | 1968 | 140 | 190 | 09.13-12.15 | ■ | |
| 2.0 TDI quattro (CNHA) | PR 1KE, PR 1KP | Diesel | 4WD | 1968 | 140 | 190 | 09.13-12.15 | ■ | |
| 2.7 TDI (CAMB) | PR 1KE | Diesel | FWD | 2698 | 120 | 163 | 04.08-03.12 | ■ | |
| 2.7 TDI (CGKB) | PR 1KE | Diesel | FWD | 2698 | 120 | 163 | 04.08-03.12 | ■ | |
| 3.0 TDI quattro (CDUC) | PR 1KP | Diesel | 4WD | 2967 | 180 | 245 | 11.11-12.15 | ■ | |
| 3.0 TDI quattro (CKVB) | PR 1KP | Diesel | 4WD | 2967 | 180 | 245 | 11.11-12.15 | ■ | |
| 3.0 TDI quattro (CKVC) | PR 1KP | Diesel | 4WD | 2967 | 180 | 245 | 11.11-12.15 | ■ | |
| A4 V Allroad B9 (8WH, 8WJ) 01.16- | | | | | | | Estate (Compact executive car-D Segment) | | |
| 2.0 TFSI quattro (CYRC) | PR 1KF, PR 1KJ, PR 1KK, PR 1KU, PR 2EJ | Gasolina | 4WD | 1984 | 183 | 249 | 05.16-10.19 | ■ | |
| 2.0 TFSI quattro (CYMC) | PR 1KF, PR 1KJ, PR 1KK, PR 1KU, PR 2EJ | Gasolina | 4WD | 1984 | 185 | 252 | 01.16- | ■ | |
| 2.0 TFSI quattro (CYRB) | PR 1KF, PR 1KJ, PR 1KK, PR 1KU, PR 2EJ | Gasolina | 4WD | 1984 | 185 | 252 | 01.16- | ■ | |

LISTA DE APLICACIONES - BUYERS GUIDE

| | | | | | | | | | |
|-------------------------------------|--|---------------|-----|------|-----|-----|---|---|--|
| 45 TFSI quattro (DMTA) | | Gasolina | 4WD | 1984 | 195 | 265 | 10.22- | ■ | |
| 45 TFSI Mild hybrid quattro (DKNA) | PR 1KF, PR 1KJ, PR 1KK, PR 1KU, PR 2EJ | Gasol./el éc. | 4WD | 1984 | 180 | 245 | 07.18- | ■ | |
| 45 TFSI Mild hybrid quattro (DDWA) | PR 1KF, PR 1KJ, PR 1KK, PR 1KU, PR 2EJ | Gasol./el éc. | 4WD | 1984 | 183 | 249 | 02.20- | ■ | |
| 2.0 TFSI Mild Hybrid quattro (DDWA) | PR 1KF, PR 1KJ, PR 1KK, PR 1KU, PR 2EJ | Gasol./el éc. | 4WD | 1984 | 185 | 252 | 11.18-10.19 | ■ | |
| 45 TFSI Mild hybrid quattro (DMTA) | PR 1KF, PR 1KJ, PR 1KK, PR 1KU, PR 2EJ | Gasol./el éc. | 4WD | 1984 | 195 | 265 | 08.20- | ■ | |
| 40 TDI Mild Hybrid quattro (DTPA) | PR 1KF, PR 1KJ, PR 1KK, PR 1KU, PR 2EJ | Diesel/el éc. | 4WD | 1968 | 150 | 204 | 09.20- | ■ | |
| 50 TDI Mild Hybrid quattro | PR 1KF, PR 1KJ, PR 1KK, PR 1KU, PR 2EJ | Diesel/el éc. | 4WD | 2967 | 210 | 286 | 08.20- | ■ | |
| 2.0 TDI quattro (DEUB) | PR 1KF, PR 1KJ, PR 1KK, PR 1KU, PR 2EJ | Diesel | 4WD | 1968 | 100 | 136 | 11.16-07.18 | ■ | |
| 2.0 TDI quattro (DEUA) | PR 1KF, PR 1KJ, PR 1KK, PR 1KU, PR 2EJ | Diesel | 4WD | 1968 | 110 | 150 | 11.16-10.19 | ■ | |
| 2.0 TDI quattro (DETB) | PR 1KF, PR 1KJ, PR 1KK, PR 1KU, PR 2EJ | Diesel | 4WD | 1968 | 120 | 163 | 05.16-10.19 | ■ | |
| 2.0 TDI quattro (DESA) | PR 1KF, PR 1KJ, PR 1KK, PR 1KU, PR 2EJ | Diesel | 4WD | 1968 | 140 | 190 | 01.16- | ■ | |
| 2.0 TDI quattro (DETA) | PR 1KF, PR 1KJ, PR 1KK, PR 1KU, PR 2EJ | Diesel | 4WD | 1968 | 140 | 190 | 01.16- | ■ | |
| 2.0 TDI quattro (DFVA) | PR 1KF, PR 1KJ, PR 1KK, PR 1KU, PR 2EJ | Diesel | 4WD | 1968 | 140 | 190 | 01.16- | ■ | |
| 40 TDI quattro (DETA) | PR 1KF, PR 1KJ, PR 1KK, PR 1KU, PR 2EJ | Diesel | 4WD | 1968 | 140 | 190 | 01.20- | ■ | |
| 3.0 TDI quattro (CSWB) | PR 1KF, PR 1KJ, PR 1KK, PR 1KU, PR 2EJ | Diesel | 4WD | 2967 | 160 | 218 | 01.16-08.18 | ■ | |
| 45 TDI quattro (DCPE) | PR 1KF, PR 1KJ, PR 1KK, PR 1KU, PR 2EJ | Diesel | 4WD | 2967 | 170 | 231 | 07.18- | ■ | |
| 3.0 TDI quattro (CRTC) | PR 1KF, PR 1KJ, PR 1KK, PR 1KU, PR 2EJ | Diesel | 4WD | 2967 | 200 | 272 | 01.16-08.18 | ■ | |
| 3.0 TDI quattro (DCPC) | PR 1KF, PR 1KJ, PR 1KK, PR 1KU, PR 2EJ | Diesel | 4WD | 2967 | 210 | 286 | 07.18-10.19 | ■ | |
| 50 TDI quattro (DCPC) | PR 1KF, PR 1KJ, PR 1KK, PR 1KU, PR 2EJ | Diesel | 4WD | 2967 | 210 | 286 | 11.19- | ■ | |
| A4 V B9 (8W2, 8WC) 05.15- | | | | | | | Saloon (Compact executive car-D Segment) | | |
| 1.4 TFSI (CVNA) | PR 1KF, PR 1KJ, PR 1KK, PR 1KU, PR 2EJ | Gasolina | FWD | 1395 | 110 | 150 | 08.15-11.19 | ■ | |
| 2.0 TFSI (CVKB) | PR 1KF, PR 1KJ, PR 1KK, PR 2EJ | Gasolina | FWD | 1984 | 140 | 190 | 05.15- | ■ | |
| 2.0 TFSI (DBPA) | PR 1KF, PR 1KJ, PR 1KK, PR 2EJ | Gasolina | FWD | 1984 | 140 | 190 | 05.15- | ■ | |
| 2.0 TFSI (CYRC) | PR 1KF, PR 1KJ, PR 1KK, PR 2EJ | Gasolina | FWD | 1984 | 183 | 249 | 11.15-11.19 | ■ | |
| 2.0 TFSI quattro (CYRC) | PR 1KF, PR 1KJ, PR 1KK, PR 2EJ | Gasolina | 4WD | 1984 | 183 | 249 | 11.15-11.19 | ■ | |
| 2.0 TFSI (CYMC) | PR 1KF, PR 1KJ, PR 1KK, PR 2EJ | Gasolina | FWD | 1984 | 185 | 252 | 05.15-11.19 | ■ | |
| 2.0 TFSI (CYRB) | PR 1KF, PR 1KJ, PR 1KK, PR 2EJ | Gasolina | FWD | 1984 | 185 | 252 | 05.15-11.19 | ■ | |
| 2.0 TFSI quattro (CYMC) | PR 1KF, PR 1KJ, PR 1KK, PR 2EJ | Gasolina | 4WD | 1984 | 185 | 252 | 05.15- | ■ | |
| 2.0 TFSI quattro (CYRB) | PR 1KF, PR 1KJ, PR 1KK, PR 2EJ | Gasolina | 4WD | 1984 | 185 | 252 | 05.15- | ■ | |
| S4 TFSi quattro (CWGD) | PR 1KF, PR 1KJ, PR 1KK, PR 1KU, PR 2EJ | Gasolina | 4WD | 2995 | 260 | 354 | 05.16- | ■ | |
| 35 TFSI Mild Hybrid (DLVB) | PR 1KF, PR 1KJ, PR 1KK, PR 1KU, PR 2EJ | Gasol./el éc. | FWD | 1984 | 110 | 150 | 12.18- | ■ | |
| 40 TFSI Mild Hybrid (DEMA) | PR 1KF, PR 1KJ, PR 1KK, PR 1KU, PR 2EJ | Gasol./el éc. | FWD | 1984 | 140 | 190 | 05.17- | ■ | |
| 40 TFSI Mild Hybrid (DKYA) | PR 1KF, PR 1KJ, PR 1KK, PR 1KU, PR 2EJ | Gasol./el éc. | FWD | 1984 | 140 | 190 | 05.17- | ■ | |
| 40 TFSI Mild Hybrid (DLVA) | PR 1KF, PR 1KJ, PR 1KK, PR 1KU, PR 2EJ | Gasol./el éc. | FWD | 1984 | 140 | 190 | 05.17- | ■ | |
| 40 TFSI Mild Hybrid | PR 1KF, PR 1KJ, PR 1KK, PR 1KU, PR 2EJ | Gasol./el éc. | FWD | 1984 | 150 | 204 | 06.20- | ■ | |

LISTA DE APLICACIONES - BUYERS GUIDE

| | | | | | | | | |
|-------------------------------------|--|---------------|-----|------|-----|-----|-------------|---|
| 40 TFSI Mild Hybrid quattro (DMSA) | PR 1KF, PR 1KJ, PR 1KK, PR 1KU, PR 2EJ | Gasol./el éc. | 4WD | 1984 | 150 | 204 | 06.20- | ■ |
| 45 TFSI Mild Hybrid (DKNA) | PR 1KF, PR 1KJ, PR 1KK, PR 1KU, PR 2EJ | Gasol./el éc. | FWD | 1984 | 180 | 245 | 07.18-11.19 | ■ |
| 45 TFSI Mild hybrid quattro (DKNA) | PR 1KF, PR 1KJ, PR 1KK, PR 1KU, PR 2EJ | Gasol./el éc. | 4WD | 1984 | 180 | 245 | 07.18-11.19 | ■ |
| 45 TFSI Mild hybrid quattro (DDWA) | PR 1KF, PR 1KJ, PR 1KK, PR 1KU, PR 2EJ | Gasol./el éc. | 4WD | 1984 | 183 | 249 | 02.20- | ■ |
| 2.0 TFSI Mild Hybrid (DDWA) | PR 1KF, PR 1KJ, PR 1KK, PR 1KU, PR 2EJ | Gasol./el éc. | FWD | 1984 | 185 | 252 | 05.17-11.19 | ■ |
| 2.0 TFSI Mild Hybrid quattro (DDWA) | PR 1KF, PR 1KJ, PR 1KK, PR 1KU, PR 2EJ | Gasol./el éc. | 4WD | 1984 | 185 | 252 | 05.17-11.19 | ■ |
| 45 TFSI Mild hybrid quattro (DMTA) | PR 1KF, PR 1KJ, PR 1KK, PR 1KU, PR 2EJ | Gasol./el éc. | 4WD | 1984 | 195 | 265 | 08.20- | ■ |
| 30 TDI Mild Hybrid (DEZB) | PR 1KF, PR 1KJ, PR 1KK, PR 1KU, PR 2EJ | Diesel/el éc. | FWD | 1968 | 100 | 136 | 07.19- | ■ |
| 35 TDI Mild Hybrid (DEZE) | PR 1KF, PR 1KJ, PR 1KK, PR 1KU, PR 2EJ | Diesel/el éc. | FWD | 1968 | 120 | 163 | 03.19- | ■ |
| 40 TDI Mild Hybrid | PR 1KF, PR 1KJ, PR 1KK, PR 1KU, PR 2EJ | Diesel/el éc. | FWD | 1968 | 150 | 204 | 09.20- | ■ |
| 40 TDI Mild Hybrid quattro (DTPA) | PR 1KF, PR 1KJ, PR 1KK, PR 1KU, PR 2EJ | Diesel/el éc. | 4WD | 1968 | 150 | 204 | 05.20- | ■ |
| 50 TDI Mild Hybrid quattro | PR 1KF, PR 1KJ, PR 1KK, PR 1KU, PR 2EJ | Diesel/el éc. | 4WD | 2967 | 210 | 286 | 08.20- | ■ |
| S4 TDI Mild Hybrid quattro | PR 1KF, PR 1KJ, PR 1KK, PR 1KU, PR 2EJ | Diesel/el éc. | 4WD | 2967 | 251 | 341 | 01.21- | ■ |
| S4 TDI Mild Hybrid quattro (DEWB) | PR 1KF, PR 1KJ, PR 1KK, PR 1KU, PR 2EJ | Diesel/el éc. | 4WD | 2967 | 255 | 347 | 05.19- | ■ |
| 2.0 TDI (DEUC) | PR 1KF, PR 1KJ, PR 1KK, PR 1KU, PR 2EJ | Diesel | FWD | 1968 | 90 | 122 | 05.16-11.19 | ■ |
| 30 TDI (DEUC) | PR 1KF, PR 1KJ, PR 1KK, PR 1KU, PR 2EJ | Diesel | FWD | 1968 | 90 | 122 | 05.16-11.19 | ■ |
| 2.0 TDI (DEUB) | PR 1KF, PR 1KJ, PR 1KK, PR 1KU, PR 2EJ | Diesel | FWD | 1968 | 100 | 136 | 05.15-11.19 | ■ |
| 2.0 TDI (CZHA) | PR 1KF, PR 1KJ, PR 1KK, PR 1KU, PR 2EJ | Diesel | FWD | 1968 | 110 | 150 | 05.15-11.19 | ■ |
| 2.0 TDI (DEUA) | PR 1KF, PR 1KJ, PR 1KK, PR 1KU, PR 2EJ | Diesel | FWD | 1968 | 110 | 150 | 05.15-11.19 | ■ |
| 2.0 TDI quattro (DEUA) | PR 1KF, PR 1KJ, PR 1KK, PR 1KU, PR 2EJ | Diesel | 4WD | 1968 | 110 | 150 | 09.16-11.19 | ■ |
| 35 TDI (DEUA) | PR 1KF, PR 1KJ, PR 1KK, PR 1KU, PR 2EJ | Diesel | FWD | 1968 | 110 | 150 | 08.15- | ■ |
| 2.0 TDI quattro (DETB) | PR 1KF, PR 1KJ, PR 1KK, PR 1KU, PR 2EJ | Diesel | 4WD | 1968 | 120 | 163 | 09.16-11.19 | ■ |
| 2.0 TDI (DESA) | PR 1KF, PR 1KJ, PR 1KK, PR 1KU, PR 2EJ | Diesel | FWD | 1968 | 140 | 190 | 05.15- | ■ |
| 2.0 TDI (DETA) | PR 1KF, PR 1KJ, PR 1KK, PR 1KU, PR 2EJ | Diesel | FWD | 1968 | 140 | 190 | 05.15- | ■ |
| 2.0 TDI (DFVA) | PR 1KF, PR 1KJ, PR 1KK, PR 1KU, PR 2EJ | Diesel | FWD | 1968 | 140 | 190 | 05.15- | ■ |
| 2.0 TDI quattro (DESA) | PR 1KF, PR 1KJ, PR 1KK, PR 1KU, PR 2EJ | Diesel | 4WD | 1968 | 140 | 190 | 09.15-11.19 | ■ |
| 2.0 TDI quattro (DETA) | PR 1KF, PR 1KJ, PR 1KK, PR 1KU, PR 2EJ | Diesel | 4WD | 1968 | 140 | 190 | 09.15-11.19 | ■ |
| 2.0 TDI quattro (DFVA) | PR 1KF, PR 1KJ, PR 1KK, PR 1KU, PR 2EJ | Diesel | 4WD | 1968 | 140 | 190 | 09.15-11.19 | ■ |
| 40 TDI (DESA) | PR 1KF, PR 1KJ, PR 1KK, PR 1KU, PR 2EJ | Diesel | FWD | 1968 | 140 | 190 | 05.15- | ■ |
| 40 TDI (DETA) | PR 1KF, PR 1KJ, PR 1KK, PR 1KU, PR 2EJ | Diesel | FWD | 1968 | 140 | 190 | 05.15- | ■ |
| 40 TDI quattro (DETA) | PR 1KF, PR 1KJ, PR 1KK, PR 1KU, PR 2EJ | Diesel | 4WD | 1968 | 140 | 190 | 09.15-11.19 | ■ |
| 3.0 TDI (CSWB) | PR 1KF, PR 1KJ, PR 1KK, PR 2EJ | Diesel | FWD | 2967 | 160 | 218 | 09.15-08.18 | ■ |
| 3.0 TDI quattro (CSWB) | PR 1KF, PR 1KJ, PR 1KK, PR 2EJ | Diesel | 4WD | 2967 | 160 | 218 | 09.15-08.18 | ■ |
| 45 TDI quattro (DCPE) | PR 1KF, PR 1KJ, PR 1KK, PR 1KU, PR 2EJ | Diesel | 4WD | 2967 | 170 | 231 | 07.18- | ■ |
| 3.0 TDI quattro (CRTC) | PR 1KF, PR 1KJ, PR 1KK, PR 2EJ | Diesel | 4WD | 2967 | 200 | 272 | 05.15-08.18 | ■ |

LISTA DE APLICACIONES - BUYERS GUIDE

| | | | | | | | | |
|--|--|------------------|-----|------|---|-----|-------------|---|
| 50 TDI quattro (DCPC) | PR 1KF, PR 1KJ, PR 1KK, PR 1KU, PR 2EJ | Diesel | 4WD | 2967 | 210 | 286 | 07.18- | ■ |
| A4 V B9 Avant (8W5, 8WD) 08.15- | | | | | Estate (Compact executive car-D Segment) | | | |
| 1.4 TFSI (CVNA) | PR 1KF, PR 1KJ, PR 1KK, PR 1KU, PR 2EJ | Gasolina | FWD | 1395 | 110 | 150 | 02.16-10.19 | ■ |
| 2.0 TFSI (CVKB) | PR 1KF, PR 1KJ, PR 1KK, PR 1KU, PR 2EJ | Gasolina | FWD | 1984 | 140 | 190 | 08.15- | ■ |
| 2.0 TFSI (DKYA) | PR 1KF, PR 1KJ, PR 1KK, PR 1KU, PR 2EJ | Gasolina | FWD | 1984 | 140 | 190 | 08.15- | ■ |
| 40 TFSI (DMSA) | PR 1KF, PR 1KJ, PR 1KK, PR 1KU, PR 2EJ | Gasolina | FWD | 1984 | 150 | 204 | 12.20- | ■ |
| 2.0 TFSI (CYRC) | PR 1KF, PR 1KJ, PR 1KK, PR 1KU, PR 2EJ | Gasolina | FWD | 1984 | 183 | 249 | 05.16-10.19 | ■ |
| 2.0 TFSI quattro (CYRC) | PR 1KF, PR 1KJ, PR 1KK, PR 1KU, PR 2EJ | Gasolina | 4WD | 1984 | 183 | 249 | 11.15-10.19 | ■ |
| 2.0 TFSI (CYRB) | PR 1KF, PR 1KJ, PR 1KK, PR 1KU, PR 2EJ | Gasolina | FWD | 1984 | 185 | 252 | 05.16-10.19 | ■ |
| 2.0 TFSI quattro (CYRB) | PR 1KF, PR 1KJ, PR 1KK, PR 1KU, PR 2EJ | Gasolina | 4WD | 1984 | 185 | 252 | 08.15-10.19 | ■ |
| S4 TFSi quattro (CWGD) | PR 1KF, PR 1KJ, PR 1KK, PR 1KU, PR 2EJ | Gasolina | 4WD | 2995 | 260 | 354 | 05.16- | ■ |
| 2.0 TFSI g-tron (CVLA) | PR 1KF, PR 1KJ, PR 1KK, PR 1KU, PR 2EJ | Gasol./Gas (CNG) | FWD | 1984 | 125 | 170 | 11.16-10.19 | ■ |
| 40 TFSI g-tron (CVLA) | PR 1KF, PR 1KJ, PR 1KK, PR 1KU, PR 2EJ | Gasol./Gas (CNG) | FWD | 1984 | 125 | 170 | 11.16- | ■ |
| 35 TFSI Mild Hybrid (DLVB) | PR 1KF, PR 1KJ, PR 1KK, PR 1KU, PR 2EJ | Gasol./eléc. | FWD | 1984 | 110 | 150 | 12.18- | ■ |
| 35 TFSI Mild Hybrid (DMSB) | PR 1KF, PR 1KJ, PR 1KK, PR 1KU, PR 2EJ | Gasol./eléc. | FWD | 1984 | 110 | 150 | 12.18- | ■ |
| 40 TFSI Mild Hybrid (DEMA) | PR 1KF, PR 1KJ, PR 1KK, PR 1KU, PR 2EJ | Gasol./eléc. | FWD | 1984 | 140 | 190 | 05.17- | ■ |
| 40 TFSI Mild Hybrid (DKYA) | PR 1KF, PR 1KJ, PR 1KK, PR 1KU, PR 2EJ | Gasol./eléc. | FWD | 1984 | 140 | 190 | 05.17- | ■ |
| 40 TFSI Mild Hybrid (DLVA) | PR 1KF, PR 1KJ, PR 1KK, PR 1KU, PR 2EJ | Gasol./eléc. | FWD | 1984 | 140 | 190 | 05.17- | ■ |
| 40 TFSI Mild Hybrid (DMSA) | PR 1KF, PR 1KJ, PR 1KK, PR 1KU, PR 2EJ | Gasol./eléc. | FWD | 1984 | 150 | 204 | 06.20- | ■ |
| 40 TFSI Mild Hybrid quattro (DMSA) | PR 1KF, PR 1KJ, PR 1KK, PR 1KU, PR 2EJ | Gasol./eléc. | 4WD | 1984 | 150 | 204 | 06.20- | ■ |
| 45 TFSI Mild Hybrid (DKNA) | PR 1KF, PR 1KJ, PR 1KK, PR 1KU, PR 2EJ | Gasol./eléc. | FWD | 1984 | 180 | 245 | 07.18-10.19 | ■ |
| 45 TFSI Mild hybrid quattro (DKNA) | PR 1KF, PR 1KJ, PR 1KK, PR 1KU, PR 2EJ | Gasol./eléc. | 4WD | 1984 | 180 | 245 | 07.18-10.19 | ■ |
| 45 TFSI Mild hybrid quattro (DDWA) | PR 1KF, PR 1KJ, PR 1KK, PR 1KU, PR 2EJ | Gasol./eléc. | 4WD | 1984 | 183 | 249 | 02.20- | ■ |
| 2.0 TFSI Mild Hybrid (DDWA) | PR 1KF, PR 1KJ, PR 1KK, PR 1KU, PR 2EJ | Gasol./eléc. | FWD | 1984 | 185 | 252 | 05.17-10.19 | ■ |
| 2.0 TFSI Mild Hybrid quattro (DDWA) | PR 1KF, PR 1KJ, PR 1KK, PR 1KU, PR 2EJ | Gasol./eléc. | 4WD | 1984 | 185 | 252 | 05.17-06.18 | ■ |
| 45 TFSI Mild hybrid quattro (DMTA) | PR 1KF, PR 1KJ, PR 1KK, PR 1KU, PR 2EJ | Gasol./eléc. | 4WD | 1984 | 195 | 265 | 08.20- | ■ |
| 30 TDI Mild Hybrid (DEZB) | PR 1KF, PR 1KJ, PR 1KK, PR 1KU, PR 2EJ | Diesel/eléc. | FWD | 1968 | 100 | 136 | 07.19- | ■ |
| 35 TDI Mild Hybrid (DEZE) | PR 1KF, PR 1KJ, PR 1KK, PR 1KU, PR 2EJ | Diesel/eléc. | FWD | 1968 | 120 | 163 | 07.19- | ■ |
| 40 TDI Mild Hybrid | PR 1KF, PR 1KJ, PR 1KK, PR 1KU, PR 2EJ | Diesel/eléc. | FWD | 1968 | 150 | 204 | 09.20- | ■ |
| 40 TDI Mild Hybrid quattro (DTPA) | PR 1KF, PR 1KJ, PR 1KK, PR 1KU, PR 2EJ | Diesel/eléc. | 4WD | 1968 | 150 | 204 | 05.20- | ■ |
| 50 TDI Mild Hybrid quattro | PR 1KF, PR 1KJ, PR 1KK, PR 1KU, PR 2EJ | Diesel/eléc. | 4WD | 2967 | 210 | 286 | 08.20- | ■ |
| S4 TDI Mild Hybrid quattro | PR 1KF, PR 1KJ, PR 1KK, PR 1KU, PR 2EJ | Diesel/eléc. | 4WD | 2967 | 251 | 341 | 01.21- | ■ |
| S4 TDI Mild Hybrid quattro (DEWB) | PR 1KF, PR 1KJ, PR 1KK, PR 1KU, PR 2EJ | Diesel/eléc. | 4WD | 2967 | 255 | 347 | 05.19- | ■ |
| 2.0 TDI (DEUC) | PR 1KF, PR 1KJ, PR 1KK, PR 1KU, PR 2EJ | Diesel | FWD | 1968 | 90 | 122 | 04.16-09.18 | ■ |

LISTA DE APLICACIONES - BUYERS GUIDE

| | | | | | | | | | |
|-----------------------------|--|----------|-----|------|--|-----|-------------|---|--|
| 30 TDI (DEUC) | PR 1KF, PR 1KJ, PR 1KK, PR 1KU, PR 2EJ | Diesel | FWD | 1968 | 90 | 122 | 10.18-10.20 | ■ | |
| 2.0 TDI (DEUB) | PR 1KF, PR 1KJ, PR 1KK, PR 1KU, PR 2EJ | Diesel | FWD | 1968 | 100 | 136 | 08.15-10.19 | ■ | |
| 2.0 TDI (CZHA) | PR 1KF, PR 1KJ, PR 1KK, PR 1KU, PR 2EJ | Diesel | FWD | 1968 | 110 | 150 | 08.15-09.18 | ■ | |
| 2.0 TDI (DEUA) | PR 1KF, PR 1KJ, PR 1KK, PR 1KU, PR 2EJ | Diesel | FWD | 1968 | 110 | 150 | 08.15-09.18 | ■ | |
| 2.0 TDI quattro (DEUA) | PR 1KF, PR 1KJ, PR 1KK, PR 1KU, PR 2EJ | Diesel | 4WD | 1968 | 110 | 150 | 09.16-10.19 | ■ | |
| 35 TDI (DEUA) | PR 1KF, PR 1KJ, PR 1KK, PR 1KU, PR 2EJ | Diesel | FWD | 1968 | 110 | 150 | 10.18-10.19 | ■ | |
| 2.0 TDI quattro (DETB) | PR 1KF, PR 1KJ, PR 1KK, PR 1KU, PR 2EJ | Diesel | 4WD | 1968 | 120 | 163 | 09.16-09.18 | ■ | |
| 2.0 TDI (DESA) | PR 1KF, PR 1KJ, PR 1KK, PR 1KU, PR 2EJ | Diesel | FWD | 1968 | 140 | 190 | 08.15-09.18 | ■ | |
| 2.0 TDI (DETA) | PR 1KF, PR 1KJ, PR 1KK, PR 1KU, PR 2EJ | Diesel | FWD | 1968 | 140 | 190 | 08.15-09.18 | ■ | |
| 2.0 TDI (DFVA) | PR 1KF, PR 1KJ, PR 1KK, PR 1KU, PR 2EJ | Diesel | FWD | 1968 | 140 | 190 | 08.15-09.18 | ■ | |
| 2.0 TDI quattro (DESA) | PR 1KF, PR 1KJ, PR 1KK, PR 1KU, PR 2EJ | Diesel | 4WD | 1968 | 140 | 190 | 10.15-09.18 | ■ | |
| 2.0 TDI quattro (DETA) | PR 1KF, PR 1KJ, PR 1KK, PR 1KU, PR 2EJ | Diesel | 4WD | 1968 | 140 | 190 | 10.15-09.18 | ■ | |
| 2.0 TDI quattro (DFVA) | PR 1KF, PR 1KJ, PR 1KK, PR 1KU, PR 2EJ | Diesel | 4WD | 1968 | 140 | 190 | 10.15-09.18 | ■ | |
| 40 TDI (DESA) | PR 1KF, PR 1KJ, PR 1KK, PR 1KU, PR 2EJ | Diesel | FWD | 1968 | 140 | 190 | 10.18-08.20 | ■ | |
| 40 TDI (DETA) | PR 1KF, PR 1KJ, PR 1KK, PR 1KU, PR 2EJ | Diesel | FWD | 1968 | 140 | 190 | 10.18-08.20 | ■ | |
| 40 TDI quattro (DETA) | PR 1KF, PR 1KJ, PR 1KK, PR 1KU, PR 2EJ | Diesel | 4WD | 1968 | 140 | 190 | 10.18-09.20 | ■ | |
| 3.0 TDI (CSWB) | PR 1KF, PR 1KJ, PR 1KK, PR 1KU, PR 2EJ | Diesel | FWD | 2967 | 160 | 218 | 10.15-08.18 | ■ | |
| 3.0 TDI quattro (CSWB) | PR 1KF, PR 1KJ, PR 1KK, PR 1KU, PR 2EJ | Diesel | 4WD | 2967 | 160 | 218 | 11.15-08.18 | ■ | |
| 45 TDI quattro (DCPE) | PR 1KF, PR 1KJ, PR 1KK, PR 1KU, PR 2EJ | Diesel | 4WD | 2967 | 170 | 231 | 07.18- | ■ | |
| 3.0 TDI quattro (CRTC) | PR 1KF, PR 1KJ, PR 1KK, PR 1KU, PR 2EJ | Diesel | 4WD | 2967 | 200 | 272 | 08.15-08.18 | ■ | |
| 50 TDI quattro (DCPC) | PR 1KF, PR 1KJ, PR 1KK, PR 1KU, PR 2EJ | Diesel | 4WD | 2967 | 210 | 286 | 07.18- | ■ | |
| A5 (8F7) 02.09-10.17 | | | | | Convertible (Compact executive car-D Segment) | | | | |
| 1.8 TFSI (CDHB) | PR 1KP | Gasolina | FWD | 1798 | 118 | 160 | 09.09-03.12 | ■ | |
| 1.8 TFSI (CJEB) | PR 1KP | Gasolina | FWD | 1798 | 125 | 170 | 09.11-03.16 | ■ | |
| 1.8 TFSI (CJEE) | PR 1KP | Gasolina | FWD | 1798 | 130 | 177 | 05.15-01.17 | ■ | |
| 2.0 TFSI (CAEA) | PR 1KP | Gasolina | FWD | 1984 | 132 | 180 | 03.09-03.12 | ■ | |
| 2.0 TFSI (CDNB) | PR 1KP | Gasolina | FWD | 1984 | 132 | 180 | 03.09-03.12 | ■ | |
| 2.0 TFSI (CAEB) | PR 1KP | Gasolina | FWD | 1984 | 155 | 211 | 03.09-06.14 | ■ | |
| 2.0 TFSI (CDNC) | PR 1KP | Gasolina | FWD | 1984 | 155 | 211 | 03.09-06.14 | ■ | |
| 2.0 TFSI quattro (CAEB) | PR 1KP | Gasolina | 4WD | 1984 | 155 | 211 | 03.09-01.17 | ■ | |
| 2.0 TFSI quattro (CDNC) | PR 1KP | Gasolina | 4WD | 1984 | 155 | 211 | 03.09-01.17 | ■ | |
| 2.0 TFSI quattro (CPMA) | PR 1KP | Gasolina | 4WD | 1984 | 155 | 211 | 03.09-01.17 | ■ | |
| 2.0 TFSI quattro (CPMB) | PR 1KP | Gasolina | 4WD | 1984 | 162 | 220 | 03.12-01.17 | ■ | |
| 2.0 TFSI (CNCD) | PR 1KP | Gasolina | FWD | 1984 | 165 | 224 | 05.13-05.16 | ■ | |
| 2.0 TFSI quattro (CNCD) | PR 1KP | Gasolina | 4WD | 1984 | 165 | 224 | 05.13-05.16 | ■ | |
| 2.0 TFSI (CNCE) | PR 1KP | Gasolina | FWD | 1984 | 169 | 230 | 08.15-01.17 | ■ | |
| 2.0 TFSI quattro (CNCE) | PR 1KP | Gasolina | 4WD | 1984 | 169 | 230 | 08.15-01.17 | ■ | |
| 3.0 TFSI quattro (CMUA) | PR 1KP | Gasolina | 4WD | 2995 | 200 | 272 | 11.11-01.17 | ■ | |
| 3.0 TFSI quattro (CRED) | PR 1KP | Gasolina | 4WD | 2995 | 200 | 272 | 11.11-01.17 | ■ | |
| S5 quattro (CAKA) | PR 1KE | Gasolina | 4WD | 2995 | 245 | 333 | 06.09-01.17 | ■ | |
| S5 quattro (CCBA) | PR 1KE | Gasolina | 4WD | 2995 | 245 | 333 | 06.09-01.17 | ■ | |

LISTA DE APLICACIONES - BUYERS GUIDE

| | | | | | | | | | |
|-----------------------------|--------|----------|-----|------|-----|-----|--|---|--|
| S5 quattro (CGWC) | PR 1KE | Gasolina | 4WD | 2995 | 245 | 333 | 06.09-01.17 | ■ | |
| S5 quattro (CGXC) | PR 1KE | Gasolina | 4WD | 2995 | 245 | 333 | 06.09-01.17 | ■ | |
| S5 quattro (CREC) | PR 1KE | Gasolina | 4WD | 2995 | 245 | 333 | 06.09-01.17 | ■ | |
| S5 quattro (CTDA) | PR 1KE | Gasolina | 4WD | 2995 | 245 | 333 | 06.09-01.17 | ■ | |
| S5 quattro (CTUB) | PR 1KE | Gasolina | 4WD | 2995 | 245 | 333 | 06.09-01.17 | ■ | |
| 2.0 TDI (CJCA) | PR 1KP | Diesel | FWD | 1968 | 105 | 143 | 10.11-05.15 | ■ | |
| 2.0 TDI (CJCD) | PR 1KP | Diesel | FWD | 1968 | 110 | 150 | 05.13-01.17 | ■ | |
| 2.0 TDI (CSUA) | PR 1KP | Diesel | FWD | 1968 | 110 | 150 | 05.13-01.17 | ■ | |
| 2.0 TDI (CAHB) | PR 1KP | Diesel | FWD | 1968 | 120 | 163 | 05.09-06.14 | ■ | |
| 2.0 TDI (CGLD) | PR 1KP | Diesel | FWD | 1968 | 120 | 163 | 05.09-06.14 | ■ | |
| 2.0 TDI (CAHA) | PR 1KP | Diesel | FWD | 1968 | 125 | 170 | 05.09-03.12 | ■ | |
| 2.0 TDI (CGLC) | PR 1KP | Diesel | FWD | 1968 | 130 | 177 | 10.11-01.17 | ■ | |
| 2.0 TDI quattro (CGLC) | PR 1KP | Diesel | 4WD | 1968 | 130 | 177 | 01.12-05.15 | ■ | |
| 2.0 TDI (CNHA) | PR 1KP | Diesel | FWD | 1968 | 140 | 190 | 09.13-01.17 | ■ | |
| 2.0 TDI quattro (CNHA) | PR 1KP | Diesel | 4WD | 1968 | 140 | 190 | 09.13-01.17 | ■ | |
| 2.7 TDI (CGKB) | PR 1KP | Diesel | FWD | 2698 | 120 | 163 | 05.09-03.12 | ■ | |
| 2.7 TDI (CGKA) | PR 1KP | Diesel | FWD | 2698 | 140 | 190 | 03.09-03.12 | ■ | |
| 3.0 TDI (CLAB) | PR 1KP | Diesel | FWD | 2967 | 150 | 204 | 10.11-01.17 | ■ | |
| 3.0 TDI quattro (CKVD) | PR 1KP | Diesel | 4WD | 2967 | 160 | 218 | 05.15-01.17 | ■ | |
| 3.0 TDI quattro (CCWA) | PR 1KP | Diesel | 4WD | 2967 | 176 | 240 | 03.09-03.12 | ■ | |
| 3.0 TDI quattro (CDUC) | PR 1KP | Diesel | 4WD | 2967 | 180 | 245 | 10.11-01.17 | ■ | |
| 3.0 TDI quattro (CKVC) | PR 1KP | Diesel | 4WD | 2967 | 180 | 245 | 10.11-01.17 | ■ | |
| A5 (8T3) 06.07-10.17 | | | | | | | Coupe (Compact executive car-D Segment) | | |
| 1.8 TFSI (CDHB) | PR 1KP | Gasolina | FWD | 1798 | 118 | 160 | 05.09-09.11 | ■ | |
| 1.8 TFSI (CABD) | PR 1KP | Gasolina | FWD | 1798 | 125 | 170 | 10.07-01.17 | ■ | |
| 1.8 TFSI (CJEB) | PR 1KP | Gasolina | FWD | 1798 | 125 | 170 | 10.07-01.17 | ■ | |
| 1.8 TFSI (CJEE) | PR 1KP | Gasolina | FWD | 1798 | 130 | 177 | 05.15-01.17 | ■ | |
| 2.0 TFSI (CDNB) | PR 1KP | Gasolina | FWD | 1984 | 132 | 180 | 11.08-03.12 | ■ | |
| 2.0 TFSI quattro (CAED) | PR 1KP | Gasolina | 4WD | 1984 | 162 | 220 | 03.12-01.17 | ■ | |
| 2.0 TFSI quattro (CPMB) | PR 1KP | Gasolina | 4WD | 1984 | 162 | 220 | 03.12-01.17 | ■ | |
| 2.0 TFSI (CNCD) | PR 1KP | Gasolina | FWD | 1984 | 165 | 224 | 05.13-05.16 | ■ | |
| 2.0 TFSI quattro (CNCD) | PR 1KP | Gasolina | 4WD | 1984 | 165 | 224 | 05.13-05.16 | ■ | |
| 2.0 TFSI (CNCE) | PR 1KP | Gasolina | FWD | 1984 | 169 | 230 | 08.15-01.17 | ■ | |
| 2.0 TFSI quattro (CNCE) | PR 1KP | Gasolina | 4WD | 1984 | 169 | 230 | 08.15-01.17 | ■ | |
| 3.0 TFSI quattro (CHMB) | PR 1KP | Gasolina | 4WD | 2995 | 200 | 272 | 12.11-01.17 | ■ | |
| 3.0 TFSI quattro (CMUA) | PR 1KP | Gasolina | 4WD | 2995 | 200 | 272 | 12.11-01.17 | ■ | |
| 3.0 TFSI quattro (CRED) | PR 1KP | Gasolina | 4WD | 2995 | 200 | 272 | 12.11-01.17 | ■ | |
| S5 quattro (CAKA) | PR 1KE | Gasolina | 4WD | 2995 | 245 | 333 | 10.11-01.17 | ■ | |
| S5 quattro (CGWC) | PR 1KE | Gasolina | 4WD | 2995 | 245 | 333 | 10.11-01.17 | ■ | |
| S5 quattro (CGXC) | PR 1KE | Gasolina | 4WD | 2995 | 245 | 333 | 10.11-01.17 | ■ | |
| S5 quattro (CREC) | PR 1KE | Gasolina | 4WD | 2995 | 245 | 333 | 10.11-01.17 | ■ | |
| S5 quattro (CTDA) | PR 1KE | Gasolina | 4WD | 2995 | 245 | 333 | 10.11-01.17 | ■ | |
| S5 quattro (CTUB) | PR 1KE | Gasolina | 4WD | 2995 | 245 | 333 | 10.11-01.17 | ■ | |
| S5 quattro (CAUA) | PR 1KE | Gasolina | 4WD | 4163 | 260 | 354 | 06.07-03.12 | ■ | |
| 2.0 TDI (CAHB) | PR 1KP | Diesel | FWD | 1968 | 120 | 163 | 08.08-01.17 | ■ | |
| 2.0 TDI (CGLD) | PR 1KP | Diesel | FWD | 1968 | 120 | 163 | 08.08-01.17 | ■ | |
| 2.0 TDI (CNHC) | PR 1KP | Diesel | FWD | 1968 | 120 | 163 | 08.08-01.17 | ■ | |
| 2.0 TDI (CAHA) | PR 1KP | Diesel | FWD | 1968 | 125 | 170 | 08.08-03.12 | ■ | |
| 2.0 TDI quattro (CAHA) | PR 1KP | Diesel | 4WD | 1968 | 125 | 170 | 08.08-03.12 | ■ | |
| 2.0 TDI (CGLC) | PR 1KP | Diesel | FWD | 1968 | 130 | 177 | 10.11-01.17 | ■ | |
| 2.0 TDI quattro (CGLC) | PR 1KP | Diesel | 4WD | 1968 | 130 | 177 | 12.11-01.17 | ■ | |

LISTA DE APLICACIONES - BUYERS GUIDE

| | | | | | | | | | |
|-------------------------------------|--|---------------|-----|------|-----|-----|--|---|--|
| 2.0 TDI (CNHA) | PR 1KP | Diesel | FWD | 1968 | 140 | 190 | 09.13-01.17 | ■ | |
| 2.0 TDI quattro (CNHA) | PR 1KP | Diesel | 4WD | 1968 | 140 | 190 | 09.13-01.17 | ■ | |
| 2.7 TDI (CAMB) | PR 1KP | Diesel | FWD | 2698 | 120 | 163 | 09.07-03.12 | ■ | |
| 2.7 TDI (CGKB) | PR 1KP | Diesel | FWD | 2698 | 120 | 163 | 09.07-03.12 | ■ | |
| 2.7 TDI (CAMA) | PR 1KP | Diesel | FWD | 2698 | 140 | 190 | 06.07-03.12 | ■ | |
| 2.7 TDI (CGKA) | PR 1KP | Diesel | FWD | 2698 | 140 | 190 | 06.07-03.12 | ■ | |
| 3.0 TDI (CLAB) | PR 1KP | Diesel | FWD | 2967 | 150 | 204 | 10.11-01.17 | ■ | |
| 3.0 TDI quattro (CCWB) | PR 1KP | Diesel | 4WD | 2967 | 155 | 211 | 03.08-05.10 | ■ | |
| 3.0 TDI quattro (CKVD) | PR 1KP | Diesel | 4WD | 2967 | 160 | 218 | 05.15-01.17 | ■ | |
| 3.0 TDI quattro (CAPA) | PR 1KP | Diesel | 4WD | 2967 | 176 | 240 | 06.07-03.12 | ■ | |
| 3.0 TDI quattro (CCWA) | PR 1KP | Diesel | 4WD | 2967 | 176 | 240 | 06.07-03.12 | ■ | |
| 3.0 TDI quattro (CDUC) | PR 1KP | Diesel | 4WD | 2967 | 180 | 245 | 10.11-01.17 | ■ | |
| 3.0 TDI quattro (CKVB) | PR 1KP | Diesel | 4WD | 2967 | 180 | 245 | 10.11-01.17 | ■ | |
| 3.0 TDI quattro (CKVC) | PR 1KP | Diesel | 4WD | 2967 | 180 | 245 | 10.11-01.17 | ■ | |
| A5 II (F57, F5E) 11.16- | | | | | | | Convertible (Compact executive car-D Segment) | | |
| 2.0 40 TFSI (CVKB,DKYA) | | Gasolina | FWD | 1984 | 140 | 190 | 06.17-12.20 | ■ | |
| 2.0 TFSI (CVKB) | PR 1KF, PR 1KJ, PR 1KK, PR 2EJ | Gasolina | FWD | 1984 | 140 | 190 | 03.17-12.19 | ■ | |
| 2.0 TFSI (DKYA) | PR 1KF, PR 1KJ, PR 1KK, PR 2EJ | Gasolina | FWD | 1984 | 140 | 190 | 03.17-12.19 | ■ | |
| 40 TFSI (DMSA) | PR 1KF, PR 1KJ, PR 1KK, PR 1KU, PR 2EJ | Gasolina | FWD | 1984 | 150 | 204 | 11.20- | ■ | |
| 2.0 45 TFSI quattro (CYRB,DLHB) | | Gasolina | 4WD | 1984 | 185 | 252 | 06.17- | ■ | |
| 2.0 TFSI (CYRB) | PR 1KF, PR 1KJ, PR 1KK, PR 2EJ | Gasolina | FWD | 1984 | 185 | 252 | 03.17-12.19 | ■ | |
| 2.0 TFSI quattro (CYMC) | PR 1KF, PR 1KJ, PR 1KK, PR 2EJ | Gasolina | 4WD | 1984 | 185 | 252 | 11.16- | ■ | |
| 2.0 TFSI quattro (CYRB) | PR 1KF, PR 1KJ, PR 1KK, PR 2EJ | Gasolina | 4WD | 1984 | 185 | 252 | 11.16- | ■ | |
| S5 TFSI quattro (CWGD) | PR 1KF, PR 1KJ, PR 1KK, PR 2EJ | Gasolina | 4WD | 2995 | 260 | 354 | 03.17- | ■ | |
| 35 TFSI Mild Hybrid (DMSB) | PR 1KF, PR 1KJ, PR 1KK, PR 1KU, PR 2EJ | Gasol./el éc. | FWD | 1984 | 110 | 150 | 06.20- | ■ | |
| 40 TFSI Mild Hybrid (DEMA) | PR 1KF, PR 1KJ, PR 1KK, PR 1KU, PR 2EJ | Gasol./el éc. | FWD | 1984 | 140 | 190 | 05.17- | ■ | |
| 40 TFSI Mild Hybrid (DKYA) | PR 1KF, PR 1KJ, PR 1KK, PR 1KU, PR 2EJ | Gasol./el éc. | FWD | 1984 | 140 | 190 | 05.17- | ■ | |
| 40 TFSI Mild Hybrid (DLVA) | PR 1KF, PR 1KJ, PR 1KK, PR 1KU, PR 2EJ | Gasol./el éc. | FWD | 1984 | 140 | 190 | 05.17- | ■ | |
| 40 TFSI Mild Hybrid (DMSA) | PR 1KF, PR 1KJ, PR 1KK, PR 1KU, PR 2EJ | Gasol./el éc. | FWD | 1984 | 150 | 204 | 07.20- | ■ | |
| 40 TFSI Mild Hybrid quattro (DMSA) | PR 1KF, PR 1KJ, PR 1KK, PR 1KU, PR 2EJ | Gasol./el éc. | 4WD | 1984 | 150 | 204 | 06.20- | ■ | |
| 45 TFSI Mild Hybrid (DKNA) | PR 1KF, PR 1KJ, PR 1KK, PR 1KU, PR 2EJ | Gasol./el éc. | FWD | 1984 | 180 | 245 | 07.18-12.19 | ■ | |
| 45 TFSI Mild hybrid quattro (DKNA) | PR 1KF, PR 1KJ, PR 1KK, PR 1KU, PR 2EJ | Gasol./el éc. | 4WD | 1984 | 180 | 245 | 07.18-12.19 | ■ | |
| 45 TFSI Mild hybrid quattro (DDWB) | PR 1KF, PR 1KJ, PR 1KK, PR 1KU, PR 2EJ | Gasol./el éc. | 4WD | 1984 | 183 | 249 | 06.21- | ■ | |
| 2.0 TFSI Mild Hybrid (DDWA) | PR 1KF, PR 1KJ, PR 1KK, PR 1KU, PR 2EJ | Gasol./el éc. | FWD | 1984 | 185 | 252 | 05.17-12.19 | ■ | |
| 2.0 TFSI Mild Hybrid quattro (DDWA) | PR 1KF, PR 1KJ, PR 1KK, PR 1KU, PR 2EJ | Gasol./el éc. | 4WD | 1984 | 185 | 252 | 05.17- | ■ | |
| 2.0 TFSI Mild Hybrid quattro (DLHB) | PR 1KF, PR 1KJ, PR 1KK, PR 1KU, PR 2EJ | Gasol./el éc. | 4WD | 1984 | 185 | 252 | 05.17- | ■ | |
| 45 TFSI Mild hybrid quattro | PR 1KF, PR 1KJ, PR 1KK, PR 1KU, PR 2EJ | Gasol./el éc. | 4WD | 1984 | 195 | 265 | 06.20- | ■ | |
| 30 TDI Mild Hybrid | PR 1KF, PR 1KJ, PR 1KK, PR 1KU, PR 2EJ | Diesel/el éc. | FWD | 1968 | 100 | 136 | 07.18- | ■ | |
| 40 TDI Mild Hybrid | PR 1KF, PR 1KJ, PR 1KK, PR 1KU, PR 2EJ | Diesel/el éc. | FWD | 1968 | 150 | 204 | 09.20- | ■ | |
| 40 TDI Mild Hybrid quattro | PR 1KF, PR 1KJ, PR 1KK, PR 1KU, PR 2EJ | Diesel/el éc. | 4WD | 1968 | 150 | 204 | 09.20- | ■ | |

LISTA DE APLICACIONES - BUYERS GUIDE

| | | | | | | | | | |
|-------------------------------------|--|---------------|-----|------|-----|-----|--|---|--|
| 2.0 TDI (DEUA) | PR 1KF, PR 1KJ, PR 1KK, PR 2EJ | Diesel | FWD | 1968 | 110 | 150 | 08.17-12.19 | ■ | |
| 2.0 TDI (DETA) | PR 1KF, PR 1KJ, PR 1KK, PR 2EJ | Diesel | FWD | 1968 | 140 | 190 | 11.16-12.19 | ■ | |
| 2.0 TDI quattro (DETA) | PR 1KF, PR 1KJ, PR 1KK, PR 2EJ | Diesel | 4WD | 1968 | 140 | 190 | 03.17- | ■ | |
| 40 TDI (DETA) | PR 1KF, PR 1KJ, PR 1KK, PR 1KU, PR 2EJ | Diesel | FWD | 1968 | 140 | 190 | 11.16-12.19 | ■ | |
| 40 TDI quattro (DETA) | PR 1KF, PR 1KJ, PR 1KK, PR 1KU, PR 2EJ | Diesel | 4WD | 1968 | 140 | 190 | 03.17- | ■ | |
| 3.0 TDI (CSWB) | PR 1KF, PR 1KJ, PR 1KK, PR 2EJ | Diesel | FWD | 2967 | 160 | 218 | 03.17-08.18 | ■ | |
| 3.0 TDI quattro (CSWB) | PR 1KF, PR 1KJ, PR 1KK, PR 2EJ | Diesel | 4WD | 2967 | 160 | 218 | 12.16-08.18 | ■ | |
| 3.0 TDI quattro (DCPC) | PR 1KF, PR 1KJ, PR 1KK, PR 2EJ | Diesel | 4WD | 2967 | 210 | 286 | 11.16-12.19 | ■ | |
| 50 TDI quattro (DCPC) | PR 1KF, PR 1KJ, PR 1KK, PR 1KU, PR 2EJ | Diesel | 4WD | 2967 | 210 | 286 | 11.16-12.19 | ■ | |
| A5 II (F53, F5P) 06.16- | | | | | | | Coupe (Compact executive car-D Segment) | | |
| 1.4 TFSI (CVNA) | PR 1KF, PR 1KJ, PR 1KK, PR 2EJ | Gasolina | FWD | 1395 | 110 | 150 | 11.16-02.20 | ■ | |
| 35 TFSI | PR 1KF, PR 1KJ, PR 1KK, PR 1KU, PR 2EJ | Gasolina | FWD | 1984 | 110 | 150 | 03.20- | ■ | |
| 2.0 40 TFSI (DVKB,DKYA) | | Gasolina | FWD | 1984 | 140 | 190 | 06.17-12.20 | ■ | |
| 2.0 TFSI (CVKB) | PR 1KF, PR 1KJ, PR 1KK, PR 2EJ | Gasolina | FWD | 1984 | 140 | 190 | 09.16- | ■ | |
| 2.0 TFSI (DKYA) | PR 1KF, PR 1KJ, PR 1KK, PR 2EJ | Gasolina | FWD | 1984 | 140 | 190 | 09.16- | ■ | |
| 40 TFSI (DMSA) | PR 1KF, PR 1KJ, PR 1KK, PR 1KU, PR 2EJ | Gasolina | FWD | 1984 | 150 | 204 | 11.20- | ■ | |
| 2.0 TFSI quattro (CYRC) | PR 1KF, PR 1KJ, PR 1KK, PR 2EJ | Gasolina | 4WD | 1984 | 183 | 249 | 06.16-02.20 | ■ | |
| 2.0 45 TFSI quattro (CYRB,DLHB) | PR 1KF, PR 1KJ, PR 1KK, PR 1KU, PR 2EJ | Gasolina | 4WD | 1984 | 185 | 252 | 06.17- | ■ | |
| 2.0 TFSI (CYRB) | PR 1KF, PR 1KJ, PR 1KK, PR 2EJ | Gasolina | FWD | 1984 | 185 | 252 | 11.16-02.20 | ■ | |
| 2.0 TFSI quattro (CYMC) | PR 1KF, PR 1KJ, PR 1KK, PR 2EJ | Gasolina | 4WD | 1984 | 185 | 252 | 06.16- | ■ | |
| 2.0 TFSI quattro (CYRB) | PR 1KF, PR 1KJ, PR 1KK, PR 2EJ | Gasolina | 4WD | 1984 | 185 | 252 | 06.16- | ■ | |
| S5 TFSI quattro (CWGD) | PR 1KF, PR 1KJ, PR 1KK, PR 2EJ | Gasolina | 4WD | 2995 | 260 | 354 | 07.16- | ■ | |
| 35 TFSI Mild Hybrid (DLVB) | PR 1KF, PR 1KJ, PR 1KK, PR 1KU, PR 2EJ | Gasol./el éc. | FWD | 1984 | 110 | 150 | 02.19- | ■ | |
| 35 TFSI Mild Hybrid (DMSB) | PR 1KF, PR 1KJ, PR 1KK, PR 1KU, PR 2EJ | Gasol./el éc. | FWD | 1984 | 110 | 150 | 02.19- | ■ | |
| 40 TFSI Mild Hybrid (DEMA) | PR 1KF, PR 1KJ, PR 1KK, PR 2EJ | Gasol./el éc. | FWD | 1984 | 140 | 190 | 05.17- | ■ | |
| 40 TFSI Mild Hybrid (DHDA) | PR 1KF, PR 1KJ, PR 1KK, PR 2EJ | Gasol./el éc. | FWD | 1984 | 140 | 190 | 05.17- | ■ | |
| 40 TFSI Mild Hybrid (DKYA) | PR 1KF, PR 1KJ, PR 1KK, PR 2EJ | Gasol./el éc. | FWD | 1984 | 140 | 190 | 05.17- | ■ | |
| 40 TFSI Mild Hybrid (DLVA) | PR 1KF, PR 1KJ, PR 1KK, PR 2EJ | Gasol./el éc. | FWD | 1984 | 140 | 190 | 05.17- | ■ | |
| 40 TFSI Mild Hybrid | PR 1KF, PR 1KJ, PR 1KK, PR 2EJ | Gasol./el éc. | FWD | 1984 | 150 | 204 | 07.20- | ■ | |
| 40 TFSI Mild Hybrid quattro | PR 1KF, PR 1KJ, PR 1KK, PR 2EJ | Gasol./el éc. | 4WD | 1984 | 150 | 204 | 07.20- | ■ | |
| 45 TFSI Mild Hybrid (DKNA) | PR 1KF, PR 1KJ, PR 1KK, PR 2EJ | Gasol./el éc. | FWD | 1984 | 180 | 245 | 07.18-08.20 | ■ | |
| 45 TFSI Mild hybrid quattro (DKNA) | PR 1KF, PR 1KJ, PR 1KK, PR 1KU, PR 2EJ | Gasol./el éc. | 4WD | 1984 | 180 | 245 | 07.18-08.20 | ■ | |
| 45 TFSI Mild hybrid quattro (DDWB) | PR 1KF, PR 1KJ, PR 1KK, PR 2EJ | Gasol./el éc. | 4WD | 1984 | 183 | 249 | 11.19- | ■ | |
| 2.0 TFSI Mild Hybrid (DDWA) | PR 1KF, PR 1KJ, PR 1KK, PR 2EJ | Gasol./el éc. | FWD | 1984 | 185 | 252 | 05.17-02.20 | ■ | |
| 2.0 TFSI Mild Hybrid quattro (DDWA) | PR 1KF, PR 1KJ, PR 1KK, PR 2EJ | Gasol./el éc. | 4WD | 1984 | 185 | 252 | 05.17-02.20 | ■ | |

LISTA DE APLICACIONES - BUYERS GUIDE

| | | | | | | | | | |
|--|--|---------------|-----|------|-----|--|-------------|---|--|
| 2.0 TFSI Mild Hybrid quattro (DLHB) | PR 1KF, PR 1KJ, PR 1KK, PR 2EJ | Gasol./el éc. | 4WD | 1984 | 185 | 252 | 05.17-02.20 | ■ | |
| 45 TFSI Mild hybrid quattro | PR 1KF, PR 1KJ, PR 1KK, PR 2EJ | Gasol./el éc. | 4WD | 1984 | 195 | 265 | 10.19- | ■ | |
| 30 TDI Mild Hybrid (DEZB) | PR 1KF, PR 1KJ, PR 1KK, PR 1KU, PR 2EJ | Diesel/el éc. | FWD | 1968 | 100 | 136 | 10.19- | ■ | |
| 40 TDI Mild Hybrid | PR 1KF, PR 1KJ, PR 1KK, PR 1KU, PR 2EJ | Diesel/el éc. | FWD | 1968 | 150 | 204 | 09.20- | ■ | |
| 40 TDI Mild Hybrid quattro | PR 1KF, PR 1KJ, PR 1KK, PR 2EJ | Diesel/el éc. | 4WD | 1968 | 150 | 204 | 09.20- | ■ | |
| 50 TDI Mild Hybrid quattro | PR 1KF, PR 1KJ, PR 1KK, PR 2EJ | Diesel/el éc. | 4WD | 2967 | 210 | 286 | 08.20- | ■ | |
| S5 TDI Mild Hybrid quattro | PR 1KF, PR 1KJ, PR 1KK, PR 2EJ | Diesel/el éc. | 4WD | 2967 | 251 | 341 | 01.21- | ■ | |
| S5 TDI Mild Hybrid quattro (DEWB) | PR 1KF, PR 1KJ, PR 1KK, PR 1KU, PR 2EJ | Diesel/el éc. | 4WD | 2967 | 255 | 347 | 12.18-02.20 | ■ | |
| 35 TDI (CZHA) | PR 1KF, PR 1KJ, PR 1KK, PR 1KU, PR 2EJ | Diesel | FWD | 1968 | 110 | 150 | 05.17-02.20 | ■ | |
| 35 TDI (DEUA) | PR 1KF, PR 1KJ, PR 1KK, PR 1KU, PR 2EJ | Diesel | FWD | 1968 | 110 | 150 | 05.17-02.20 | ■ | |
| 35 TDI (DEZE) | PR 1KF, PR 1KJ, PR 1KK, PR 1KU, PR 2EJ | Diesel | FWD | 1968 | 120 | 163 | 08.19- | ■ | |
| 2.0 TDI (DESA) | PR 1KF, PR 1KJ, PR 1KK, PR 2EJ | Diesel | FWD | 1968 | 140 | 190 | 07.16- | ■ | |
| 2.0 TDI (DETA) | PR 1KF, PR 1KJ, PR 1KK, PR 2EJ | Diesel | FWD | 1968 | 140 | 190 | 07.16- | ■ | |
| 2.0 TDI quattro (DESA) | PR 1KF, PR 1KJ, PR 1KK, PR 2EJ | Diesel | 4WD | 1968 | 140 | 190 | 10.16- | ■ | |
| 2.0 TDI quattro (DETA) | PR 1KF, PR 1KJ, PR 1KK, PR 2EJ | Diesel | 4WD | 1968 | 140 | 190 | 10.16- | ■ | |
| 40 TDI (DESA) | PR 1KF, PR 1KJ, PR 1KK, PR 1KU, PR 2EJ | Diesel | FWD | 1968 | 140 | 190 | 06.16- | ■ | |
| 40 TDI (DETA) | PR 1KF, PR 1KJ, PR 1KK, PR 1KU, PR 2EJ | Diesel | FWD | 1968 | 140 | 190 | 06.16- | ■ | |
| 40 TDI quattro (DETA) | PR 1KF, PR 1KJ, PR 1KK, PR 1KU, PR 2EJ | Diesel | 4WD | 1968 | 140 | 190 | 10.16- | ■ | |
| 3.0 TDI (CSWB) | PR 1KF, PR 1KJ, PR 1KK, PR 2EJ | Diesel | FWD | 2967 | 160 | 218 | 11.16-08.18 | ■ | |
| 3.0 TDI quattro (CSWB) | PR 1KF, PR 1KJ, PR 1KK, PR 2EJ | Diesel | 4WD | 2967 | 160 | 218 | 07.16-08.18 | ■ | |
| 45 TDI quattro (DCPE) | PR 1KF, PR 1KJ, PR 1KK, PR 1KU, PR 2EJ | Diesel | 4WD | 2967 | 170 | 231 | 07.18-02.20 | ■ | |
| 3.0 TDI quattro (CRTC) | PR 1KF, PR 1KJ, PR 1KK, PR 2EJ | Diesel | 4WD | 2967 | 200 | 272 | 02.17-12.17 | ■ | |
| 3.0 TDI quattro (DCPC) | PR 1KF, PR 1KJ, PR 1KK, PR 2EJ | Diesel | 4WD | 2967 | 210 | 286 | 01.17-02.20 | ■ | |
| 50 TDI quattro (DCPC) | PR 1KF, PR 1KJ, PR 1KK, PR 1KU, PR 2EJ | Diesel | 4WD | 2967 | 210 | 286 | 01.17-02.20 | ■ | |
| A5 II Sportback (F5A, F5F) 06.16- | | | | | | Hatchback (Compact executive car-D Segment) | | | |
| 1.4 TFSI (CVNA) | PR 1KF, PR 1KJ, PR 1KK, PR 2EJ | Gasolina | FWD | 1395 | 110 | 150 | 01.17-02.20 | ■ | |
| 2.0 TFSI (CVKB) | PR 1KF, PR 1KJ, PR 1KK, PR 2EJ | Gasolina | FWD | 1984 | 140 | 190 | 01.17- | ■ | |
| 2.0 TFSI (DKYA) | PR 1KF, PR 1KJ, PR 1KK, PR 2EJ | Gasolina | FWD | 1984 | 140 | 190 | 01.17- | ■ | |
| 40 TFSI (CVKB,DKYA) | | Gasolina | FWD | 1984 | 140 | 190 | 06.17-12.20 | ■ | |
| 40 TFSI (DMSA) | PR 1KF, PR 1KJ, PR 1KK, PR 1KU, PR 2EJ | Gasolina | FWD | 1984 | 150 | 204 | 11.20- | ■ | |
| 40 TFSI quattro (DMSA) | PR 1KF, PR 1KJ, PR 1KK, PR 1KU, PR 2EJ | Gasolina | 4WD | 1984 | 150 | 204 | 11.20- | ■ | |
| 2.0 TFSI quattro (CYRC) | PR 1KF, PR 1KJ, PR 1KK, PR 2EJ | Gasolina | 4WD | 1984 | 183 | 249 | 09.16-02.20 | ■ | |
| 2.0 TFSI (CYRB) | PR 1KF, PR 1KJ, PR 1KK, PR 1KU, PR 2EJ | Gasolina | FWD | 1984 | 185 | 252 | 11.16-02.20 | ■ | |
| 2.0 TFSI quattro (CYMC) | PR 1KF, PR 1KJ, PR 1KK, PR 1KU, PR 2EJ | Gasolina | 4WD | 1984 | 185 | 252 | 09.16- | ■ | |
| 2.0 TFSI quattro (CYRB) | PR 1KF, PR 1KJ, PR 1KK, PR 1KU, PR 2EJ | Gasolina | 4WD | 1984 | 185 | 252 | 09.16- | ■ | |
| 45 TFSI (CYRB) | | Gasolina | FWD | 1984 | 185 | 250 | 06.17-02.20 | ■ | |

LISTA DE APLICACIONES - BUYERS GUIDE

| | | | | | | | | |
|------------------------------------|--|------------------|-----|------|-----|-----|-------------|---|
| 45 TFSI quattro (CYRB,DLHB) | | Gasolina | 4WD | 1984 | 185 | 252 | 06.17- | ■ |
| 45 TFSI quattro (DMTA) | | Gasolina | 4WD | 1984 | 195 | 265 | 09.22- | ■ |
| S5 TFSI quattro (CWGD) | PR 1KF, PR 1KJ, PR 1KK, PR 2EJ | Gasolina | 4WD | 2995 | 260 | 354 | 09.16- | ■ |
| 2.0 TFSI g-tron (CVLA) | PR 1KF, PR 1KJ, PR 1KK, PR 2EJ | Gasol./Gas (CNG) | FWD | 1984 | 125 | 170 | 02.17-02.20 | ■ |
| 40 TFSI g-tron (CVLA) | PR 1KF, PR 1KJ, PR 1KK, PR 1KU, PR 2EJ | Gasol./Gas (CNG) | FWD | 1984 | 125 | 170 | 02.17- | ■ |
| 35 TFSI Mild Hybrid (DLVB) | PR 1KF, PR 1KJ, PR 1KK, PR 1KU, PR 2EJ | Gasol./eléc. | FWD | 1984 | 110 | 150 | 08.18- | ■ |
| 35 TFSI Mild Hybrid (DMSB) | PR 1KF, PR 1KJ, PR 1KK, PR 1KU, PR 2EJ | Gasol./eléc. | FWD | 1984 | 110 | 150 | 08.18- | ■ |
| 40 TFSI Mild Hybrid (DMSA) | PR 1KF, PR 1KJ, PR 1KK, PR 1KU, PR 2EJ | Gasol./eléc. | FWD | 1984 | 150 | 204 | 06.20- | ■ |
| 40 TFSI Mild Hybrid quattro (DMSA) | PR 1KF, PR 1KJ, PR 1KK, PR 1KU, PR 2EJ | Gasol./eléc. | 4WD | 1984 | 150 | 204 | 06.20- | ■ |
| 45 TFSI Mild Hybrid (DKNA) | PR 1KF, PR 1KJ, PR 1KK, PR 1KU, PR 2EJ | Gasol./eléc. | FWD | 1984 | 180 | 245 | 07.18-02.20 | ■ |
| 45 TFSI Mild hybrid quattro (DKNA) | PR 1KF, PR 1KJ, PR 1KK, PR 1KU, PR 2EJ | Gasol./eléc. | 4WD | 1984 | 180 | 245 | 02.19-02.20 | ■ |
| 45 TFSI Mild hybrid quattro (DDWB) | PR 1KF, PR 1KJ, PR 1KK, PR 1KU, PR 2EJ | Gasol./eléc. | 4WD | 1984 | 183 | 249 | 06.21- | ■ |
| 45 TFSI Mild hybrid quattro | PR 1KF, PR 1KJ, PR 1KK, PR 1KU, PR 2EJ | Gasol./eléc. | 4WD | 1984 | 195 | 265 | 10.19- | ■ |
| 30 TDI Mild Hybrid (DEZB) | PR 1KF, PR 1KJ, PR 1KK, PR 1KU, PR 2EJ | Diesel/eléc. | FWD | 1968 | 100 | 136 | 10.19- | ■ |
| 40 TDI Mild Hybrid | PR 1KF, PR 1KJ, PR 1KK, PR 1KU, PR 2EJ | Diesel/eléc. | FWD | 1968 | 150 | 204 | 09.20- | ■ |
| 40 TDI Mild Hybrid quattro | PR 1KF, PR 1KJ, PR 1KK, PR 1KU, PR 2EJ | Diesel/eléc. | 4WD | 1968 | 150 | 204 | 09.20- | ■ |
| 50 TDI Mild Hybrid quattro (DMGA) | PR 1KF, PR 1KJ, PR 1KK, PR 1KU, PR 2EJ | Diesel/eléc. | 4WD | 2967 | 210 | 286 | 08.20- | ■ |
| S5 TDI Mild Hybrid quattro | PR 1KF, PR 1KJ, PR 1KK, PR 1KU, PR 2EJ | Diesel/eléc. | 4WD | 2967 | 251 | 341 | 01.21- | ■ |
| S5 TDI Mild Hybrid quattro (DEWB) | PR 1KF, PR 1KJ, PR 1KK, PR 1KU, PR 2EJ | Diesel/eléc. | 4WD | 2967 | 255 | 347 | 12.18-02.20 | ■ |
| 2.0 TDI (DEUB) | PR 1KF, PR 1KJ, PR 1KK, PR 2EJ | Diesel | FWD | 1968 | 100 | 136 | 05.17-02.20 | ■ |
| 35 TDI (DEUA) | PR 1KF, PR 1KJ, PR 1KK, PR 1KU, PR 2EJ | Diesel | FWD | 1968 | 110 | 150 | 01.17-02.20 | ■ |
| 35 TDI (DEZE) | PR 1KF, PR 1KJ, PR 1KK, PR 1KU, PR 2EJ | Diesel | FWD | 1968 | 120 | 163 | 08.19- | ■ |
| 2.0 TDI (DESA) | PR 1KF, PR 1KJ, PR 1KK, PR 2EJ | Diesel | FWD | 1968 | 140 | 190 | 09.16- | ■ |
| 2.0 TDI (DETA) | PR 1KF, PR 1KJ, PR 1KK, PR 2EJ | Diesel | FWD | 1968 | 140 | 190 | 09.16- | ■ |
| 2.0 TDI quattro (DESA) | PR 1KF, PR 1KJ, PR 1KK, PR 2EJ | Diesel | 4WD | 1968 | 140 | 190 | 10.16- | ■ |
| 2.0 TDI quattro (DETA) | PR 1KF, PR 1KJ, PR 1KK, PR 2EJ | Diesel | 4WD | 1968 | 140 | 190 | 10.16- | ■ |
| 40 TDI (DESA) | PR 1KF, PR 1KJ, PR 1KK, PR 1KU, PR 2EJ | Diesel | FWD | 1968 | 140 | 190 | 09.16- | ■ |
| 40 TDI (DETA) | PR 1KF, PR 1KJ, PR 1KK, PR 1KU, PR 2EJ | Diesel | FWD | 1968 | 140 | 190 | 09.16- | ■ |
| 40 TDI quattro (DETA) | PR 1KF, PR 1KJ, PR 1KK, PR 1KU, PR 2EJ | Diesel | 4WD | 1968 | 140 | 190 | 08.16- | ■ |
| 3.0 TDI (CSWB) | PR 1KF, PR 1KJ, PR 1KK, PR 2EJ | Diesel | FWD | 2967 | 160 | 218 | 03.17-08.18 | ■ |
| 3.0 TDI quattro (CSWB) | PR 1KF, PR 1KJ, PR 1KK, PR 1KU, PR 2EJ | Diesel | 4WD | 2967 | 160 | 218 | 09.16- | ■ |
| 45 TDI quattro (DCPE) | PR 1KF, PR 1KJ, PR 1KK, PR 1KU, PR 2EJ | Diesel | 4WD | 2967 | 170 | 231 | 07.18-02.20 | ■ |
| 3.0 TDI quattro (CRTC) | PR 1KF, PR 1KJ, PR 1KK, PR 2EJ | Diesel | 4WD | 2967 | 200 | 272 | 02.17-12.17 | ■ |
| 3.0 TDI quattro (DCPC) | PR 1KF, PR 1KJ, PR 1KK, PR 2EJ | Diesel | 4WD | 2967 | 210 | 286 | 01.17-02.20 | ■ |
| 50 TDI quattro (DCPC) | PR 1KF, PR 1KJ, PR 1KK, PR 1KU, PR 2EJ | Diesel | 4WD | 2967 | 210 | 286 | 01.17-02.20 | ■ |

LISTA DE APLICACIONES - BUYERS GUIDE

| A5 Sportback (8TA) 07.07-10.17 | | | | | Hatchback (Compact executive car-D Segment) | | | |
|---|--------------------------------|----------|-----|------|--|-----|-------------|---|
| 1.8 TFSI (CJED) | PR 1KE, PR 1KP | Gasolina | FWD | 1798 | 106 | 144 | 09.14-01.17 | ■ |
| 1.8 TFSI (CJEE) | PR 1KE, PR 1KP | Gasolina | FWD | 1798 | 130 | 177 | 05.15-01.17 | ■ |
| 2.0 TFSI (CNCD) | PR 1KE, PR 1KP | Gasolina | FWD | 1984 | 165 | 224 | 05.13-05.16 | ■ |
| 2.0 TFSI quattro (CNCD) | PR 1KE, PR 1KP | Gasolina | 4WD | 1984 | 165 | 224 | 05.13-05.16 | ■ |
| 2.0 TFSI (CNCE) | PR 1KE, PR 1KP | Gasolina | FWD | 1984 | 169 | 230 | 08.15-01.17 | ■ |
| 2.0 TFSI quattro (CNCE) | PR 1KE, PR 1KP | Gasolina | 4WD | 1984 | 169 | 230 | 08.15-01.17 | ■ |
| 3.0 TFSI quattro (CHMB) | PR 1KE, PR 1KP | Gasolina | 4WD | 2995 | 200 | 272 | 12.11-01.17 | ■ |
| 3.0 TFSI quattro (CMUA) | PR 1KE, PR 1KP | Gasolina | 4WD | 2995 | 200 | 272 | 12.11-01.17 | ■ |
| 3.0 TFSI quattro (CRED) | PR 1KE, PR 1KP | Gasolina | 4WD | 2995 | 200 | 272 | 12.11-01.17 | ■ |
| S5 quattro (CAKA) | PR 1KE | Gasolina | 4WD | 2995 | 245 | 333 | 01.10-01.17 | ■ |
| S5 quattro (CGWC) | PR 1KE | Gasolina | 4WD | 2995 | 245 | 333 | 01.10-01.17 | ■ |
| S5 quattro (CREC) | PR 1KE | Gasolina | 4WD | 2995 | 245 | 333 | 01.10-01.17 | ■ |
| S5 quattro (CTDA) | PR 1KE | Gasolina | 4WD | 2995 | 245 | 333 | 01.10-01.17 | ■ |
| 2.0 TDI (CJCD) | PR 1KE, PR 1KP | Diesel | FWD | 1968 | 110 | 150 | 05.13-01.17 | ■ |
| 2.0 TDI (CMFB) | PR 1KE, PR 1KP | Diesel | FWD | 1968 | 110 | 150 | 05.13-01.17 | ■ |
| 2.0 TDI (CSUA) | PR 1KE, PR 1KP | Diesel | FWD | 1968 | 110 | 150 | 05.13-01.17 | ■ |
| 2.0 TDI (CNHA) | PR 1KE, PR 1KP | Diesel | FWD | 1968 | 140 | 190 | 09.13-01.17 | ■ |
| 2.0 TDI quattro (CNHA) | PR 1KE, PR 1KP | Diesel | 4WD | 1968 | 140 | 190 | 09.13-01.17 | ■ |
| 3.0 TDI quattro (CKVD) | PR 1KE, PR 1KP | Diesel | 4WD | 2967 | 160 | 218 | 05.15-01.17 | ■ |
| 3.0 TDI quattro (CDUC) | PR 1KP | Diesel | 4WD | 2967 | 180 | 245 | 10.11-01.17 | ■ |
| 3.0 TDI quattro (CKVB) | PR 1KP | Diesel | 4WD | 2967 | 180 | 245 | 10.11-01.17 | ■ |
| 3.0 TDI quattro (CKVC) | PR 1KP | Diesel | 4WD | 2967 | 180 | 245 | 10.11-01.17 | ■ |
| A6 IV Allroad C7 (4GH, 4GJ) 01.12- | | | | | Estate (Executive car-E Segment) | | | |
| 3.0 TFSI quattro (CGWD) | PR 2EA, PR 2EJ | Gasolina | 4WD | 2995 | 228 | 310 | 01.12-12.14 | ■ |
| 3.0 TFSI quattro (CREC) | PR 2EA, PR 2EJ | Gasolina | 4WD | 2995 | 245 | 333 | 09.14-09.18 | ■ |
| 3.0 TDI quattro (CZVF) | PR 2EA, PR 2EJ | Diesel | 4WD | 2967 | 140 | 190 | 11.15-09.18 | ■ |
| 3.0 TDI quattro (CLAA) | PR 2EA, PR 2EJ | Diesel | 4WD | 2967 | 150 | 204 | 01.12-12.14 | ■ |
| 3.0 TDI quattro (CRTF) | PR 2EA, PR 2EJ | Diesel | 4WD | 2967 | 155 | 211 | 09.14-09.18 | ■ |
| 3.0 TDI quattro (CZVC) | PR 2EA, PR 2EJ | Diesel | 4WD | 2967 | 155 | 211 | 09.14-09.18 | ■ |
| 3.0 TDI quattro (CRTE) | PR 2EA, PR 2EJ | Diesel | 4WD | 2967 | 160 | 218 | 09.14-09.18 | ■ |
| 3.0 TDI quattro (CZVA) | PR 2EA, PR 2EJ | Diesel | 4WD | 2967 | 160 | 218 | 09.14-09.18 | ■ |
| 3.0 TDI quattro (CDUD) | PR 2EA, PR 2EJ | Diesel | 4WD | 2967 | 180 | 245 | 01.12-06.16 | ■ |
| 3.0 TDI quattro (CKVC) | PR 2EA, PR 2EJ | Diesel | 4WD | 2967 | 180 | 245 | 01.12-06.16 | ■ |
| 3.0 TDI quattro (CRTD) | PR 2EA, PR 2EJ | Diesel | 4WD | 2967 | 200 | 272 | 09.14-09.18 | ■ |
| 3.0 TDI quattro (CGQB) | PR 2EA, PR 2EJ | Diesel | 4WD | 2967 | 230 | 313 | 01.12-12.14 | ■ |
| 3.0 TDI quattro (CVUA) | PR 2EA, PR 2EJ | Diesel | 4WD | 2967 | 235 | 320 | 01.12-09.18 | ■ |
| A6 IV C7 (4G2, 4GC) 11.10- | | | | | Saloon (Executive car-E Segment) | | | |
| 1.8 TFSI (CYGA) | PR 1KD, PR 2EA, PR 2EE, PR 2EJ | Gasolina | FWD | 1798 | 140 | 190 | 09.14-09.18 | ■ |
| 2.0 TFSI (CDNB) | PR 2EA, PR 2EE | Gasolina | FWD | 1984 | 132 | 180 | 05.11-09.18 | ■ |
| 2.0 TFSI (CAEB) | PR 2EA, PR 2EE | Gasolina | FWD | 1984 | 155 | 211 | 03.11-05.13 | ■ |
| 2.0 TFSI quattro (CAEB) | PR 2EA, PR 2EE | Gasolina | 4WD | 1984 | 155 | 211 | 05.12-04.15 | ■ |
| 2.0 TFSI (CAED) | PR 1KD, PR 2EA, PR 2EE, PR 2EJ | Gasolina | FWD | 1984 | 162 | 220 | 05.13-09.18 | ■ |
| 2.0 TFSI quattro (CAED) | PR 1KD, PR 2EA, PR 2EE, PR 2EJ | Gasolina | 4WD | 1984 | 162 | 220 | 05.13-09.18 | ■ |
| 2.0 TFSI quattro (CAEB) | PR 2EA, PR 2EE | Gasolina | 4WD | 1984 | 164 | 223 | 01.13-09.18 | ■ |
| 2.0 TFSI quattro (CYPB) | PR 1KD, PR 2EA, PR 2EE, PR 2EJ | Gasolina | 4WD | 1984 | 183 | 249 | 05.15-09.18 | ■ |
| 2.0 TFSI (CYNB) | PR 1KD, PR 2EA, PR 2EE, PR 2EJ | Gasolina | FWD | 1984 | 185 | 252 | 09.14-09.18 | ■ |

LISTA DE APLICACIONES - BUYERS GUIDE

| | | | | | | | | |
|-------------------------|--------------------------------|---------------|-----|------|-----|-----|-------------|---|
| 2.0 TFSI (CYPA) | PR 1KD, PR 2EA, PR 2EE, PR 2EJ | Gasolina | FWD | 1984 | 185 | 252 | 09.14-09.18 | ■ |
| 2.0 TFSI quattro (CYNB) | PR 1KD, PR 2EA, PR 2EE, PR 2EJ | Gasolina | 4WD | 1984 | 185 | 252 | 05.14-09.18 | ■ |
| 2.0 TFSI quattro (CYPA) | PR 1KD, PR 2EA, PR 2EE, PR 2EJ | Gasolina | 4WD | 1984 | 185 | 252 | 05.14-09.18 | ■ |
| 2.8 FSI (CHVA) | PR 2EA, PR 2EE | Gasolina | FWD | 2773 | 150 | 204 | 11.10-04.15 | ■ |
| 2.8 FSI quattro (CHVA) | PR 2EA, PR 2EE | Gasolina | 4WD | 2773 | 150 | 204 | 11.10-04.15 | ■ |
| 2.8 FSI quattro (CVPA) | PR 1KD, PR 2EA, PR 2EE, PR 2EJ | Gasolina | 4WD | 2773 | 162 | 220 | 09.14-09.18 | ■ |
| 3.0 TFSI quattro (CCAA) | PR 2EA | Gasolina | 4WD | 2995 | 220 | 300 | 11.10-05.12 | ■ |
| 3.0 TFSI quattro (CGWB) | PR 2EA | Gasolina | 4WD | 2995 | 220 | 300 | 11.10-05.12 | ■ |
| 3.0 TFSI quattro (CGWD) | PR 2EA | Gasolina | 4WD | 2995 | 228 | 310 | 03.11-09.18 | ■ |
| 3.0 TFSI quattro (CGXB) | PR 2EA | Gasolina | 4WD | 2995 | 228 | 310 | 03.11-09.18 | ■ |
| 3.0 TFSI quattro (CTUA) | PR 2EA | Gasolina | 4WD | 2995 | 228 | 310 | 03.11-09.18 | ■ |
| 3.0 TFSI quattro (CREC) | PR 1KD, PR 2EA, PR 2EE, PR 2EJ | Gasolina | 4WD | 2995 | 245 | 333 | 09.14-09.18 | ■ |
| 3.0 TFSI quattro | PR 1KD, PR 2EA, PR 2EE, PR 2EJ | Gasolina | 4WD | 2995 | 250 | 340 | 09.16-09.18 | ■ |
| S6 quattro (CEUC) | PR 2EA, PR 2EE | Gasolina | 4WD | 3993 | 309 | 420 | 02.12-09.18 | ■ |
| S6 quattro (CTGE) | PR 1KD, PR 2EA, PR 2EE, PR 2EJ | Gasolina | 4WD | 3993 | 331 | 450 | 10.14-09.18 | ■ |
| 2.0 TFSI Hybrid (CHJA) | PR 2EA, PR 2EE | Gasol./el éc. | FWD | 1984 | 180 | 245 | 11.11-04.15 | ■ |
| 2.0 TDI (CGLE) | PR 2EA, PR 2EE | Diesel | FWD | 1968 | 100 | 136 | 01.12-09.18 | ■ |
| 2.0 TDI (CSUE) | PR 2EA, PR 2EE | Diesel | FWD | 1968 | 100 | 136 | 01.12-09.18 | ■ |
| 2.0 TDI (CSUD) | PR 1KD, PR 2EA, PR 2EE, PR 2EJ | Diesel | FWD | 1968 | 110 | 150 | 09.14-09.18 | ■ |
| 2.0 TDI (DDCB) | PR 1KD, PR 2EA, PR 2EE, PR 2EJ | Diesel | FWD | 1968 | 110 | 150 | 09.14-09.18 | ■ |
| 2.0 TDI (CGLD) | PR 2EA, PR 2EE | Diesel | FWD | 1968 | 120 | 163 | 03.11-09.18 | ■ |
| 2.0 TDI (CGLC) | PR 2EA, PR 2EE | Diesel | FWD | 1968 | 130 | 177 | 03.11-09.18 | ■ |
| 2.0 TDI (CMGB) | PR 2EA, PR 2EE | Diesel | FWD | 1968 | 130 | 177 | 03.11-09.18 | ■ |
| 2.0 TDI (CNHA) | PR 1KD, PR 2EA, PR 2EE, PR 2EJ | Diesel | FWD | 1968 | 140 | 190 | 11.13-09.18 | ■ |
| 2.0 TDI (CZJA) | PR 1KD, PR 2EA, PR 2EE, PR 2EJ | Diesel | FWD | 1968 | 140 | 190 | 11.13-09.18 | ■ |
| 2.0 TDI (DDDA) | PR 1KD, PR 2EA, PR 2EE, PR 2EJ | Diesel | FWD | 1968 | 140 | 190 | 11.13-09.18 | ■ |
| 2.0 TDI quattro (CNHA) | PR 1KD, PR 2EA, PR 2EE, PR 2EJ | Diesel | 4WD | 1968 | 140 | 190 | 04.15-09.18 | ■ |
| 2.0 TDI quattro (DDDA) | PR 1KD, PR 2EA, PR 2EE, PR 2EJ | Diesel | 4WD | 1968 | 140 | 190 | 04.15-09.18 | ■ |
| 3.0 TDI (CLAB) | PR 2EA, PR 2EE | Diesel | FWD | 2967 | 150 | 204 | 11.10-09.18 | ■ |
| 3.0 TDI quattro (CLAA) | PR 1KD, PR 2EA, PR 2EE, PR 2EJ | Diesel | 4WD | 2967 | 150 | 204 | 03.11-09.18 | ■ |
| 3.0 TDI (CTCB) | PR 1KD, PR 2EA, PR 2EE, PR 2EJ | Diesel | FWD | 2967 | 155 | 211 | 09.14-09.18 | ■ |
| 3.0 TDI (CZVD) | PR 1KD, PR 2EA, PR 2EE, PR 2EJ | Diesel | FWD | 2967 | 155 | 211 | 09.14-09.18 | ■ |
| 3.0 TDI quattro (CRTF) | PR 1KD, PR 2EA, PR 2EE, PR 2EJ | Diesel | 4WD | 2967 | 155 | 211 | 09.14-09.18 | ■ |
| 3.0 TDI quattro (CZVC) | PR 1KD, PR 2EA, PR 2EE, PR 2EJ | Diesel | 4WD | 2967 | 155 | 211 | 09.14-09.18 | ■ |
| 3.0 TDI (CTCC) | PR 1KD, PR 2EA, PR 2EE, PR 2EJ | Diesel | FWD | 2967 | 160 | 218 | 09.14-09.18 | ■ |
| 3.0 TDI (CZVB) | PR 1KD, PR 2EA, PR 2EE, PR 2EJ | Diesel | FWD | 2967 | 160 | 218 | 09.14-09.18 | ■ |
| 3.0 TDI quattro (CRTE) | PR 1KD, PR 2EA, PR 2EE, PR 2EJ | Diesel | 4WD | 2967 | 160 | 218 | 09.14-09.18 | ■ |
| 3.0 TDI quattro (CZVA) | PR 1KD, PR 2EA, PR 2EE, PR 2EJ | Diesel | 4WD | 2967 | 160 | 218 | 09.14-09.18 | ■ |
| 3.0 TDI quattro | PR 1KD, PR 2EA, PR 2EE, PR 2EJ | Diesel | 4WD | 2967 | 176 | 239 | 05.13- | ■ |
| 3.0 TDI quattro (CDUC) | PR 2EA | Diesel | 4WD | 2967 | 180 | 245 | 03.11-09.18 | ■ |

LISTA DE APLICACIONES - BUYERS GUIDE

| | | | | | | | | | |
|---|--------------------------------|----------|-----|------|-----|-----|---|---|--|
| 3.0 TDI quattro (CDUD) | PR 2EA | Diesel | 4WD | 2967 | 180 | 245 | 03.11-09.18 | ■ | |
| 3.0 TDI quattro (CKVB) | PR 2EA | Diesel | 4WD | 2967 | 180 | 245 | 03.11-09.18 | ■ | |
| 3.0 TDI quattro (CKVC) | PR 2EA | Diesel | 4WD | 2967 | 180 | 245 | 03.11-09.18 | ■ | |
| 3.0 TDI quattro (CRTD) | PR 1KD, PR 2EA, PR 2EE, PR 2EJ | Diesel | 4WD | 2967 | 200 | 272 | 09.14-09.18 | ■ | |
| 3.0 TDI quattro (CGQB) | PR 2EA | Diesel | 4WD | 2967 | 230 | 313 | 11.11-09.18 | ■ | |
| 3.0 TDI quattro (CVUA) | PR 1KD, PR 2EA, PR 2EE, PR 2EJ | Diesel | 4WD | 2967 | 235 | 320 | 09.14-09.18 | ■ | |
| 3.0 TDI quattro (CVUB) | PR 1KD, PR 2EA, PR 2EE, PR 2EJ | Diesel | 4WD | 2967 | 240 | 326 | 09.14-09.18 | ■ | |
| A6 IV C7 Avant (4G5, 4GD) 05.11- | | | | | | | Estate (Executive car-E Segment) | | |
| 1.8 TFSI (CYGA) | PR 1KD, PR 2EA, PR 2EE, PR 2EJ | Gasolina | FWD | 1798 | 140 | 190 | 09.14-09.18 | ■ | |
| 2.0 TFSI (CDNB) | PR 2EA | Gasolina | FWD | 1984 | 132 | 180 | 06.11-09.18 | ■ | |
| 2.0 TFSI quattro (CYPB) | PR 1KD, PR 2EA, PR 2EE, PR 2EJ | Gasolina | 4WD | 1984 | 183 | 249 | 05.15-09.18 | ■ | |
| 2.0 TFSI (CYNB) | PR 1KD, PR 2EA, PR 2EE, PR 2EJ | Gasolina | FWD | 1984 | 185 | 252 | 09.14-09.18 | ■ | |
| 2.0 TFSI (CYPA) | PR 1KD, PR 2EA, PR 2EE, PR 2EJ | Gasolina | FWD | 1984 | 185 | 252 | 09.14-09.18 | ■ | |
| 2.0 TFSI quattro (CYPA) | PR 1KD, PR 2EA, PR 2EE, PR 2EJ | Gasolina | 4WD | 1984 | 185 | 252 | 05.15-09.18 | ■ | |
| 2.8 FSI (CHVA) | PR 2EA | Gasolina | FWD | 2773 | 150 | 204 | 05.11-04.15 | ■ | |
| 2.8 FSI quattro (CHVA) | PR 2EA | Gasolina | 4WD | 2773 | 150 | 204 | 05.11-04.15 | ■ | |
| 2.8 FSI quattro (CVPA) | PR 1KD, PR 2EA, PR 2EE, PR 2EJ | Gasolina | 4WD | 2773 | 162 | 220 | 09.14-09.18 | ■ | |
| 3.0 TFSI quattro (CGWB) | PR 2EA | Gasolina | 4WD | 2995 | 220 | 300 | 05.11-05.12 | ■ | |
| 3.0 TFSI quattro (CGWD) | PR 2EA | Gasolina | 4WD | 2995 | 228 | 310 | 11.11-09.18 | ■ | |
| 3.0 TFSI quattro (CREC) | PR 1KD, PR 2EA, PR 2EE, PR 2EJ | Gasolina | 4WD | 2995 | 245 | 333 | 09.14-09.18 | ■ | |
| S6 quattro (CEUC) | PR 2EA | Gasolina | 4WD | 3993 | 309 | 420 | 02.12-09.18 | ■ | |
| S6 quattro (CTGE) | PR 2EA | Gasolina | 4WD | 3993 | 331 | 450 | 10.14-09.18 | ■ | |
| 2.0 TDI (CSUD) | PR 1KD, PR 2EA, PR 2EE, PR 2EJ | Diesel | FWD | 1968 | 110 | 150 | 09.14-09.18 | ■ | |
| 2.0 TDI (DDCB) | PR 1KD, PR 2EA, PR 2EE, PR 2EJ | Diesel | FWD | 1968 | 110 | 150 | 09.14-09.18 | ■ | |
| 2.0 TDI (CGLD) | PR 2EA | Diesel | FWD | 1968 | 120 | 163 | 05.11-09.18 | ■ | |
| 2.0 TDI (CGLC) | PR 2EA | Diesel | FWD | 1968 | 130 | 177 | 05.11-09.18 | ■ | |
| 2.0 TDI (CMGB) | PR 2EA | Diesel | FWD | 1968 | 130 | 177 | 05.11-09.18 | ■ | |
| 2.0 TDI (CNHA) | PR 2EA | Diesel | FWD | 1968 | 140 | 190 | 11.13-09.18 | ■ | |
| 2.0 TDI (CZJA) | PR 2EA | Diesel | FWD | 1968 | 140 | 190 | 11.13-09.18 | ■ | |
| 2.0 TDI (DDDA) | PR 2EA | Diesel | FWD | 1968 | 140 | 190 | 11.13-09.18 | ■ | |
| 2.0 TDI quattro (CNHA) | PR 1KD, PR 2EA, PR 2EE, PR 2EJ | Diesel | 4WD | 1968 | 140 | 190 | 04.15-09.18 | ■ | |
| 2.0 TDI quattro (DDDA) | PR 1KD, PR 2EA, PR 2EE, PR 2EJ | Diesel | 4WD | 1968 | 140 | 190 | 04.15-09.18 | ■ | |
| 3.0 TDI (CLAB) | PR 2EA | Diesel | FWD | 2967 | 150 | 204 | 05.11-09.18 | ■ | |
| 3.0 TDI quattro (CLAA) | PR 2EA | Diesel | 4WD | 2967 | 150 | 204 | 05.11-09.18 | ■ | |
| 3.0 TDI (CTCB) | PR 1KD, PR 2EA, PR 2EE, PR 2EJ | Diesel | FWD | 2967 | 155 | 211 | 09.14-09.18 | ■ | |
| 3.0 TDI (CZVD) | PR 1KD, PR 2EA, PR 2EE, PR 2EJ | Diesel | FWD | 2967 | 155 | 211 | 09.14-09.18 | ■ | |
| 3.0 TDI quattro (CRTF) | PR 1KD, PR 2EA, PR 2EE, PR 2EJ | Diesel | 4WD | 2967 | 155 | 211 | 09.14-09.18 | ■ | |
| 3.0 TDI quattro (CZVC) | PR 1KD, PR 2EA, PR 2EE, PR 2EJ | Diesel | 4WD | 2967 | 155 | 211 | 09.14-09.18 | ■ | |
| 3.0 TDI (CTCC) | PR 1KD, PR 2EA, PR 2EE, PR 2EJ | Diesel | FWD | 2967 | 160 | 218 | 09.14-09.18 | ■ | |
| 3.0 TDI (CZVB) | PR 1KD, PR 2EA, PR 2EE, PR 2EJ | Diesel | FWD | 2967 | 160 | 218 | 09.14-09.18 | ■ | |
| 3.0 TDI quattro (CRTE) | PR 2EA, PR 2EJ | Diesel | 4WD | 2967 | 160 | 218 | 09.14-09.18 | ■ | |
| 3.0 TDI quattro (CZVA) | PR 2EA, PR 2EJ | Diesel | 4WD | 2967 | 160 | 218 | 09.14-09.18 | ■ | |

LISTA DE APLICACIONES - BUYERS GUIDE

| | | | | | | | | | |
|------------------------------------|--|---------------|-----|------|-----|-----|---|---|--|
| 3.0 TDI quattro (CDUC) | PR 1KD, PR 2EA, PR 2EE, PR 2EJ | Diesel | 4WD | 2967 | 180 | 245 | 05.11-09.18 | ■ | |
| 3.0 TDI quattro (CDUD) | PR 1KD, PR 2EA, PR 2EE, PR 2EJ | Diesel | 4WD | 2967 | 180 | 245 | 05.11-09.18 | ■ | |
| 3.0 TDI quattro (CKVB) | PR 1KD, PR 2EA, PR 2EE, PR 2EJ | Diesel | 4WD | 2967 | 180 | 245 | 05.11-09.18 | ■ | |
| 3.0 TDI quattro (CKVC) | PR 1KD, PR 2EA, PR 2EE, PR 2EJ | Diesel | 4WD | 2967 | 180 | 245 | 05.11-09.18 | ■ | |
| 3.0 TDI quattro (CRTD) | PR 1KD, PR 2EA, PR 2EE, PR 2EJ | Diesel | 4WD | 2967 | 200 | 272 | 09.14-09.18 | ■ | |
| 3.0 TDI quattro (CGQB) | PR 2EA | Diesel | 4WD | 2967 | 230 | 313 | 11.11-09.18 | ■ | |
| 3.0 TDI quattro (CVUA) | PR 1KD, PR 2EA, PR 2EE, PR 2EJ | Diesel | 4WD | 2967 | 235 | 320 | 09.14-09.18 | ■ | |
| 3.0 TDI quattro (CVUB) | PR 1KD, PR 2EA, PR 2EE, PR 2EJ | Diesel | 4WD | 2967 | 240 | 326 | 09.14-09.18 | ■ | |
| A6 V C8 Avant (4A5) 05.18- | | | | | | | Estate (Executive car-E Segment) | | |
| 40 TFSI 12V | PR 1KF, PR 1KJ, PR 2EF, PR 2EW, not ceramic brakes | Gasolina | FWD | 1984 | 140 | 190 | 04.20- | ■ | |
| 40 TFSI (DMTC) | PR 1KF, PR 1KJ, PR 2EF, PR 2EW, not ceramic brakes | Gasolina | FWD | 1984 | 150 | 204 | 09.20- | ■ | |
| 45 TFSI | PR 1KF, PR 1KJ, PR 2EF, PR 2EW, not ceramic brakes | Gasolina | FWD | 1984 | 180 | 245 | 04.20- | ■ | |
| 45 TFSI quattro | PR 1KF, PR 1KJ, PR 2EF, PR 2EW, not ceramic brakes | Gasolina | 4WD | 1984 | 195 | 265 | 10.22- | ■ | |
| 40 TFSI Mild Hybrid | PR 1KF, PR 1KJ, PR 2EF, PR 2EW, not ceramic brakes | Gasol./el éc. | FWD | 1984 | 140 | 190 | 02.19- | ■ | |
| 40 TFSI Mild Hybrid | PR 1KF, PR 1KJ, PR 2EF, PR 2EW, not ceramic brakes | Gasol./el éc. | FWD | 1984 | 150 | 204 | 01.21- | ■ | |
| 45 TFSI Mild Hybrid (DKNA) | PR 1KF, PR 1KJ, PR 2EF, PR 2EW, not ceramic brakes | Gasol./el éc. | FWD | 1984 | 180 | 245 | 08.18- | ■ | |
| 45 TFSI Mild Hybrid (DLHA) | PR 1KF, PR 1KJ, PR 2EF, PR 2EW, not ceramic brakes | Gasol./el éc. | FWD | 1984 | 180 | 245 | 08.18- | ■ | |
| 45 TFSI Mild hybrid quattro (DKNA) | PR 1KF, PR 1KJ, PR 2EF, PR 2EW, not ceramic brakes | Gasol./el éc. | 4WD | 1984 | 180 | 245 | 08.18- | ■ | |
| 45 TFSI Mild hybrid quattro (DLHA) | PR 1KF, PR 1KJ, PR 2EF, PR 2EW, not ceramic brakes | Gasol./el éc. | 4WD | 1984 | 180 | 245 | 08.18- | ■ | |
| 45 TFSI Mild Hybrid (DMTA) | PR 1KF, PR 1KJ, PR 2EF, PR 2EW, not ceramic brakes | Gasol./el éc. | FWD | 1984 | 195 | 265 | 05.20- | ■ | |
| 45 TFSI Mild hybrid quattro (DMTA) | PR 1KF, PR 1KJ, PR 2EF, PR 2EW, not ceramic brakes | Gasol./el éc. | 4WD | 1984 | 195 | 265 | 05.20- | ■ | |
| 50 TFSI e quattro | PR 1KF, PR 1KJ, PR 2EF, PR 2EW, not ceramic brakes | Gasol./el éc. | 4WD | 1984 | 220 | 299 | 02.21- | ■ | |
| 55 TFSI e quattro (DLGA) | PR 1KF, PR 1KJ, PR 2EF, PR 2EW, not ceramic brakes | Gasol./el éc. | 4WD | 1984 | 270 | 367 | 04.20- | ■ | |
| 55 TFSI e quattro (DLGA) | PR 1KF, PR 1KJ, PR 2EF, PR 2EW, not ceramic brakes | Gasol./el éc. | 4WD | 1984 | 270 | 367 | 02.21- | ■ | |
| 55 TFSI Mild Hybrid quattro (DLZA) | PR 1KF, PR 1KJ, PR 2EF, PR 2EW, not ceramic brakes | Gasol./el éc. | 4WD | 2995 | 250 | 340 | 05.18- | ■ | |
| 30 TDI Mild Hybrid (DEZF) | PR 1KF, PR 1KJ, PR 2EF, PR 2EW, not ceramic brakes | Diesel/el éc. | FWD | 1968 | 100 | 136 | 01.19- | ■ | |
| 35 TDI Mild Hybrid (DEZD) | PR 1KF, PR 1KJ, PR 2EF, PR 2EW, not ceramic brakes | Diesel/el éc. | FWD | 1968 | 120 | 163 | 03.19- | ■ | |
| 40 TDI Mild Hybrid | PR 1KF, PR 1KJ, PR 2EF, PR 2EW, not ceramic brakes | Diesel/el éc. | FWD | 1968 | 140 | 190 | 02.19- | ■ | |
| 40 TDI Mild Hybrid (DFBA) | PR 1KF, PR 1KJ, PR 2EF, PR 2EW, not ceramic brakes | Diesel/el éc. | FWD | 1968 | 150 | 204 | 05.18- | ■ | |
| 40 TDI Mild Hybrid quattro (DFBA) | PR 1KF, PR 1KJ, PR 2EF, PR 2EW, not ceramic brakes | Diesel/el éc. | 4WD | 1968 | 150 | 204 | 07.18- | ■ | |
| 45 TDI Mild Hybrid quattro (DDVF) | PR 1KF, PR 1KJ, PR 2EF, PR 2EW, not ceramic brakes | Diesel/el éc. | 4WD | 2967 | 155 | 211 | 07.18- | ■ | |
| 45 TDI Mild Hybrid quattro (DDVE) | PR 1KF, PR 1KJ, PR 2EF, PR 2EW, PR 1KK, PR 1KU, PR 2EJ, not ceramic brakes | Diesel/el éc. | 4WD | 2967 | 170 | 231 | 05.18- | ■ | |
| 45 TDI Mild Hybrid quattro | PR 1KF, PR 1KJ, PR 2EF, PR 2EW, not ceramic brakes | Diesel/el éc. | 4WD | 2967 | 180 | 245 | 01.21- | ■ | |
| 50 TDI Mild Hybrid quattro (DDVB) | PR 1KF, PR 1KJ, PR 2EF, PR 2EW, not ceramic brakes | Diesel/el éc. | 4WD | 2967 | 210 | 286 | 05.18- | ■ | |
| 45 TDI quattro | PR 1KF, PR 1KJ, PR 2EF, PR 2EW, not ceramic brakes | Diesel | 4WD | 2967 | 183 | 249 | 07.19- | ■ | |

LISTA DE APLICACIONES - BUYERS GUIDE

| A6 V Allroad C8 (4AH) 11.18- | | | | | | | Estate (Executive car-E Segment) | | | |
|-------------------------------------|--|---------------|-----|------|-----|-----|--|--|---|--|
| 55 TFSI Mild Hybrid quattro (DLZA) | PR 1KF, PR 1KJ, PR 2EF, PR 2EW, not ceramic brakes | Gasol./el éc. | 4WD | 2995 | 250 | 340 | 11.19- | | ■ | |
| 40 TDI Mild Hybrid quattro | PR 1KF, PR 1KJ, PR 2EF, PR 2EW, not ceramic brakes | Diesel/el éc. | 4WD | 1968 | 150 | 204 | 09.20- | | ■ | |
| 45 TDI Mild Hybrid quattro (DDVE) | PR 1KF, PR 1KJ, PR 2EF, PR 2EW, not ceramic brakes | Diesel/el éc. | 4WD | 2967 | 170 | 231 | 11.18- | | ■ | |
| 45 TDI Mild Hybrid quattro | PR 1KF, PR 1KJ, PR 2EF, PR 2EW, not ceramic brakes | Diesel/el éc. | 4WD | 2967 | 180 | 245 | 01.21- | | ■ | |
| 50 TDI Mild Hybrid quattro (DDVB) | PR 1KF, PR 1KJ, PR 2EF, PR 2EW, not ceramic brakes | Diesel/el éc. | 4WD | 2967 | 210 | 286 | 11.18- | | ■ | |
| 55 TDI Mild Hybrid quattro | PR 1KF, PR 1KJ, PR 2EF, PR 2EW, not ceramic brakes | Diesel/el éc. | 4WD | 2967 | 253 | 344 | 11.20- | | ■ | |
| 55 TDI Mild Hybrid quattro (DEWA) | PR 1KF, PR 1KJ, PR 2EF, PR 2EW, not ceramic brakes | Diesel/el éc. | 4WD | 2967 | 257 | 349 | 03.19- | | ■ | |
| 45 TDI quattro | PR 1KF, PR 1KJ, PR 2EF, PR 2EW, not ceramic brakes | Diesel | 4WD | 2967 | 183 | 249 | 08.19- | | ■ | |
| A6 V C8 (4A2) 02.18- | | | | | | | Saloon (Executive car-E Segment) | | | |
| 40 TFSI (DMTC) | PR 1KF, PR 1KJ, PR 2EF, PR 2EW, not ceramic brakes | Gasolina | FWD | 1984 | 150 | 204 | 09.20- | | ■ | |
| 45 TFSI | PR 1KF, PR 1KJ, PR 2EF, PR 2EW, not ceramic brakes | Gasolina | FWD | 1984 | 185 | 252 | 11.19- | | ■ | |
| 45 TFSI quattro (DLHB) | PR 1KF, PR 1KJ, PR 2EF, PR 2EW, not ceramic brakes | Gasolina | 4WD | 1984 | 185 | 252 | 11.19- | | ■ | |
| 40 TFSI Mild Hybrid | PR 1KF, PR 1KJ, PR 2EF, PR 2EW, not ceramic brakes | Gasol./el éc. | FWD | 1984 | 140 | 190 | 02.19- | | ■ | |
| 40 TFSI Mild Hybrid | PR 1KF, PR 1KJ, PR 2EF, PR 2EW, not ceramic brakes | Gasol./el éc. | FWD | 1984 | 150 | 204 | 01.21- | | ■ | |
| 45 TFSI Mild Hybrid (DKNA) | PR 1KF, PR 1KJ, PR 2EF, PR 2EW, not ceramic brakes | Gasol./el éc. | FWD | 1984 | 180 | 245 | 08.18- | | ■ | |
| 45 TFSI Mild Hybrid (DLHA) | PR 1KF, PR 1KJ, PR 2EF, PR 2EW, not ceramic brakes | Gasol./el éc. | FWD | 1984 | 180 | 245 | 08.18- | | ■ | |
| 45 TFSI Mild hybrid quattro (DKNA) | PR 1KF, PR 1KJ, PR 2EF, PR 2EW, not ceramic brakes | Gasol./el éc. | 4WD | 1984 | 180 | 245 | 08.18- | | ■ | |
| 45 TFSI Mild hybrid quattro (DLHA) | PR 1KF, PR 1KJ, PR 2EF, PR 2EW, not ceramic brakes | Gasol./el éc. | 4WD | 1984 | 180 | 245 | 08.18- | | ■ | |
| 45 TFSI Mild Hybrid (DMTA) | PR 1KF, PR 1KJ, PR 2EF, PR 2EW, not ceramic brakes | Gasol./el éc. | FWD | 1984 | 195 | 265 | 05.20- | | ■ | |
| 45 TFSI Mild hybrid quattro (DMTA) | PR 1KF, PR 1KJ, PR 2EF, PR 2EW, not ceramic brakes | Gasol./el éc. | 4WD | 1984 | 195 | 265 | 05.20- | | ■ | |
| 50 TFSI e quattro (DLGA) | PR 1KF, PR 1KJ, PR 2EF, PR 2EW, not ceramic brakes | Gasol./el éc. | 4WD | 1984 | 220 | 299 | 11.19- | | ■ | |
| 50 TFSI e quattro | PR 1KF, PR 1KJ, PR 2EF, PR 2EW, not ceramic brakes | Gasol./el éc. | 4WD | 1984 | 220 | 299 | 02.21- | | ■ | |
| 30 TDI Mild Hybrid (DEZF) | PR 1KF, PR 1KJ, PR 2EF, PR 2EW, not ceramic brakes | Diesel/el éc. | FWD | 1968 | 100 | 136 | 01.19- | | ■ | |
| 35 TDI Mild Hybrid (DEZD) | PR 1KF, PR 1KJ, PR 2EF, PR 2EW, not ceramic brakes | Diesel/el éc. | FWD | 1968 | 120 | 163 | 03.19- | | ■ | |
| 40 TDI Mild Hybrid (DFBA) | PR 1KF, PR 1KJ, PR 2EF, PR 2EW, not ceramic brakes | Diesel/el éc. | FWD | 1968 | 150 | 204 | 07.18- | | ■ | |
| 40 TDI Mild Hybrid quattro | PR 1KF, PR 1KJ, PR 2EF, PR 2EW, not ceramic brakes | Diesel/el éc. | 4WD | 1968 | 150 | 204 | 07.18- | | ■ | |
| 45 TDI Mild Hybrid quattro (DDVF) | PR 1KF, PR 1KJ, PR 2EF, PR 2EW, not ceramic brakes | Diesel/el éc. | 4WD | 2967 | 155 | 211 | 07.18- | | ■ | |
| 45 TDI Mild Hybrid quattro (DDVE) | PR 1KF, PR 1KJ | Diesel/el éc. | 4WD | 2967 | 170 | 231 | 07.18- | | ■ | |
| 45 TDI Mild Hybrid quattro | PR 1KF, PR 1KJ, PR 2EF, PR 2EW, not ceramic brakes | Diesel/el éc. | 4WD | 2967 | 180 | 245 | 01.21- | | ■ | |
| 50 TDI Mild Hybrid quattro (DDVB) | PR 1KF, PR 1KJ, PR 2EF, PR 2EW, PR 1KK, PR 1KU, PR 2EJ, not ceramic brakes | Diesel/el éc. | 4WD | 2967 | 210 | 286 | 02.18- | | ■ | |
| 40 TDI | PR 1KF, PR 1KJ, PR 2EF, PR 2EW, not ceramic brakes | Diesel | FWD | 1968 | 140 | 190 | 02.19- | | ■ | |
| 45 TDI quattro | PR 1KF, PR 1KJ, PR 2EF, PR 2EW, not ceramic brakes | Diesel | 4WD | 2967 | 183 | 249 | 07.19- | | ■ | |
| A7 II Sportback (4KA) 10.17- | | | | | | | Hatchback (Executive car-E Segment) | | | |
| 40 TFSI 12V (DKYA) | PR 1KF, PR 1KJ, PR 2EF, PR 2EW, not ceramic brakes | Gasolina | FWD | 1984 | 140 | 190 | 11.19- | | ■ | |

LISTA DE APLICACIONES - BUYERS GUIDE

| | | | | | | | | | |
|--|--|---------------|-----|------|-----|-----|--|---|--|
| 40 TFSI | PR 1KF, PR 2EF, not ceramic brakes | Gasolina | FWD | 1984 | 150 | 204 | 11.22- | ■ | |
| 45 TFSI (DLHA) | PR 1KF, PR 1KJ, PR 2EF, PR 2EW, not ceramic brakes | Gasolina | FWD | 1984 | 180 | 245 | 11.19- | ■ | |
| 45 TFSI | PR 1KF, PR 2EF, not ceramic brakes | Gasolina | FWD | 1984 | 195 | 265 | 11.22- | ■ | |
| 40 TFSI Mild Hybrid | PR 1KF, PR 1KJ, PR 2EF, PR 2EW, not ceramic brakes | Gasol./el éc. | FWD | 1984 | 140 | 190 | 08.20- | ■ | |
| 40 TFSI Mild Hybrid | PR 1KF, PR 1KJ, PR 2EF, PR 2EW, not ceramic brakes | Gasol./el éc. | FWD | 1984 | 150 | 204 | 08.20- | ■ | |
| 45 TFSI Mild Hybrid (DKNA) | PR 1KF, PR 1KJ, not ceramic brakes | Gasol./el éc. | FWD | 1984 | 180 | 245 | 07.18- | ■ | |
| 45 TFSI Mild Hybrid (DLHA) | PR 1KF, PR 1KJ, not ceramic brakes | Gasol./el éc. | FWD | 1984 | 180 | 245 | 07.18- | ■ | |
| 45 TFSI Mild hybrid quattro (DKNA) | PR 1KF, PR 1KJ, not ceramic brakes | Gasol./el éc. | 4WD | 1984 | 180 | 245 | 07.18- | ■ | |
| 45 TFSI Mild hybrid quattro (DLHA) | PR 1KF, PR 1KJ, not ceramic brakes | Gasol./el éc. | 4WD | 1984 | 180 | 245 | 07.18- | ■ | |
| 45 TFSI Mild Hybrid | PR 1KF, PR 1KJ, PR 2EF, PR 2EW, not ceramic brakes | Gasol./el éc. | FWD | 1984 | 195 | 265 | 05.20- | ■ | |
| 45 TFSI Mild hybrid quattro | PR 1KF, PR 1KJ, PR 2EF, PR 2EW, not ceramic brakes | Gasol./el éc. | 4WD | 1984 | 195 | 265 | 05.20- | ■ | |
| 50 TFSI e quattro (DLGA) | PR 1KF, PR 1KJ, PR 2EF, PR 2EW, not ceramic brakes | Gasol./el éc. | 4WD | 1984 | 220 | 299 | 11.19- | ■ | |
| 50 TFSI e quattro | PR 1KF, PR 1KJ, PR 2EF, PR 2EW, not ceramic brakes | Gasol./el éc. | 4WD | 1984 | 220 | 299 | 02.21- | ■ | |
| 55 TFSI e quattro | PR 1KF, PR 1KJ, PR 2EF, PR 2EW, not ceramic brakes | Gasol./el éc. | 4WD | 1984 | 270 | 367 | 07.19- | ■ | |
| 55 TFSI e quattro | PR 1KF, PR 1KJ, PR 2EF, PR 2EW, not ceramic brakes | Gasol./el éc. | 4WD | 1984 | 270 | 367 | 02.21- | ■ | |
| S7 TFSI Mild Hybrid quattro | PR 1KF, PR 1KJ, PR 2EF, PR 2EW, not ceramic brakes | Gasol./el éc. | 4WD | 2894 | 331 | 450 | 01.20- | ■ | |
| 55 TFSI Mild Hybrid quattro (DLZA) | PR 1KF, PR 1KJ, PR 2EF, not ceramic brakes | Gasol./el éc. | 4WD | 2995 | 250 | 340 | 10.17- | ■ | |
| 35 TDI Mild Hybrid | PR 1KF, PR 1KJ, PR 2EF, PR 2EW, not ceramic brakes | Diesel/el éc. | FWD | 1968 | 120 | 163 | 10.20- | ■ | |
| 40 TDI Mild Hybrid (DFBA) | PR 1KF, PR 1KJ, not ceramic brakes | Diesel/el éc. | FWD | 1968 | 150 | 204 | 09.18- | ■ | |
| 40 TDI Mild Hybrid quattro (DFBA) | PR 1KF, PR 1KJ, not ceramic brakes | Diesel/el éc. | 4WD | 1968 | 150 | 204 | 09.18- | ■ | |
| 45 TDI Mild Hybrid quattro (DDVF) | PR 1KF, PR 1KJ, not ceramic brakes | Diesel/el éc. | 4WD | 2967 | 155 | 211 | 04.18- | ■ | |
| 45 TDI Mild Hybrid quattro (DDVE) | PR 1KF, PR 1KJ, PR 2EF, not ceramic brakes | Diesel/el éc. | 4WD | 2967 | 170 | 231 | 06.18- | ■ | |
| 45 TDI Mild Hybrid quattro | PR 1KF, PR 1KJ, PR 2EF, PR 2EW, not ceramic brakes | Diesel/el éc. | 4WD | 2967 | 180 | 245 | 01.21- | ■ | |
| 50 TDI Mild Hybrid quattro (DDVB) | PR 1KF, PR 1KJ, PR 2EF, not ceramic brakes | Diesel/el éc. | 4WD | 2967 | 210 | 286 | 10.17- | ■ | |
| S7 TDI Mild Hybrid quattro | PR 1KF, PR 1KJ, PR 2EF, PR 2EW, not ceramic brakes | Diesel/el éc. | 4WD | 2967 | 253 | 344 | 11.20- | ■ | |
| S7 TDI Mild Hybrid quattro (DEWA) | PR 1KF, PR 1KJ, not ceramic brakes | Diesel/el éc. | 4WD | 2967 | 257 | 349 | 03.19- | ■ | |
| A7 Sportback (4GA, 4GF) 07.10-11.19 | | | | | | | Hatchback (Executive car-E Segment) | | |
| 1.8 TFSI (CYGA) | PR 2EA, PR 2EE, PR 2EJ | Gasolina | FWD | 1798 | 140 | 190 | 04.15-05.18 | ■ | |
| 2.0 TFSI quattro (CYPB) | PR 2EA, PR 2EE, PR 2EJ | Gasolina | 4WD | 1984 | 183 | 249 | 05.15-05.18 | ■ | |
| 2.0 TFSI (CYPA) | PR 2EA, PR 2EE, PR 2EJ, not ceramic brakes | Gasolina | FWD | 1984 | 185 | 252 | 09.14-05.18 | ■ | |
| 2.0 TFSI quattro (CYNB) | PR 2EA, PR 2EE, PR 2EJ | Gasolina | 4WD | 1984 | 185 | 252 | 05.15-05.18 | ■ | |
| 2.0 TFSI quattro (CYPA) | PR 2EA, PR 2EE, PR 2EJ | Gasolina | 4WD | 1984 | 185 | 252 | 05.15-05.18 | ■ | |
| 2.8 FSI quattro (CHVA) | PR 2EA, PR 2EE | Gasolina | 4WD | 2773 | 150 | 204 | 10.10-03.15 | ■ | |
| 2.8 FSI quattro (CNYA) | PR 2EA, PR 2EE | Gasolina | 4WD | 2773 | 150 | 204 | 10.10-03.15 | ■ | |
| 2.8 FSI quattro (CVPA) | PR 1KD, PR 2EA, PR 2EE, PR 2EJ | Gasolina | 4WD | 2773 | 162 | 220 | 09.14-05.18 | ■ | |
| 3.0 TFSI quattro (CGWB) | PR 2EA, PR 2EE | Gasolina | 4WD | 2995 | 220 | 300 | 10.10-05.12 | ■ | |
| 3.0 TFSI quattro (CHMA) | PR 2EA, PR 2EE | Gasolina | 4WD | 2995 | 220 | 300 | 10.10-05.12 | ■ | |
| 3.0 TFSI quattro (CGWD) | PR 2EA, PR 2EE | Gasolina | 4WD | 2995 | 228 | 310 | 01.11-03.15 | ■ | |

LISTA DE APLICACIONES - BUYERS GUIDE

| | | | | | | | | |
|--|------------------------------------|----------|-----|--------------------------------------|-----|-----|-------------|---|
| 3.0 TFSI quattro (CGXB) | PR 2EA, PR 2EE | Gasolina | 4WD | 2995 | 228 | 310 | 01.11-03.15 | ■ |
| 3.0 TFSI quattro (CTTA) | PR 2EA, PR 2EE | Gasolina | 4WD | 2995 | 228 | 310 | 01.11-03.15 | ■ |
| 3.0 TFSI quattro (CTUA) | PR 2EA, PR 2EE | Gasolina | 4WD | 2995 | 228 | 310 | 01.11-03.15 | ■ |
| 3.0 TFSI quattro (CREC) | PR 2EA, PR 2EJ, not ceramic brakes | Gasolina | 4WD | 2995 | 245 | 333 | 05.14-05.18 | ■ |
| 3.0 TFSI quattro | PR 1KD, PR 2EA, PR 2EE, PR 2EJ | Gasolina | 4WD | 2995 | 250 | 340 | 05.16-05.18 | ■ |
| S7 quattro (CEUC) | PR 2EA, PR 2EE | Gasolina | 4WD | 3993 | 309 | 420 | 02.12-03.15 | ■ |
| 3.0 TDI (CZVE) | PR 1EJ, PR 1KD, PR 2EA, PR 2EE | Diesel | FWD | 2967 | 140 | 190 | 11.15-05.18 | ■ |
| 3.0 TDI quattro (CZVE) | PR 1EJ, PR 1KD, PR 2EA, PR 2EE | Diesel | 4WD | 2967 | 140 | 190 | 11.15-05.18 | ■ |
| 3.0 TDI quattro (CZVF) | PR 1EJ, PR 1KD, PR 2EA, PR 2EE | Diesel | 4WD | 2967 | 140 | 190 | 11.15-05.18 | ■ |
| 3.0 TDI (CZVD) | PR 1KD, PR 2EA, PR 2EE, PR 2EJ | Diesel | FWD | 2967 | 155 | 211 | 11.15-05.18 | ■ |
| 3.0 TDI quattro (CRTF) | PR 2EA, PR 2EJ, not ceramic brakes | Diesel | 4WD | 2967 | 155 | 211 | 07.14-05.18 | ■ |
| 3.0 TDI quattro (CTCB) | PR 2EA, PR 2EJ, not ceramic brakes | Diesel | 4WD | 2967 | 155 | 211 | 07.14-05.18 | ■ |
| 3.0 TDI quattro (CZVC) | PR 2EA, PR 2EJ, not ceramic brakes | Diesel | 4WD | 2967 | 155 | 211 | 07.14-05.18 | ■ |
| 3.0 TDI (CTCC) | PR 2EA, PR 2EE | Diesel | FWD | 2967 | 160 | 218 | 07.14-05.18 | ■ |
| 3.0 TDI (CZVB) | PR 2EA, PR 2EE | Diesel | FWD | 2967 | 160 | 218 | 07.14-05.18 | ■ |
| 3.0 TDI quattro (CRTE) | PR 2EA, PR 2EE | Diesel | 4WD | 2967 | 160 | 218 | 07.14-05.18 | ■ |
| 3.0 TDI quattro (CZVA) | PR 2EA, PR 2EE | Diesel | 4WD | 2967 | 160 | 218 | 07.14-05.18 | ■ |
| 3.0 TDI quattro (CPNB) | PR 2EA | Diesel | 4WD | 2967 | 176 | 239 | 05.13-06.17 | ■ |
| 3.0 TDI quattro (CDUC) | PR 2EA, PR 2EE | Diesel | 4WD | 2967 | 180 | 245 | 10.10-06.16 | ■ |
| 3.0 TDI quattro (CDUD) | PR 2EA, PR 2EE | Diesel | 4WD | 2967 | 180 | 245 | 10.10-06.16 | ■ |
| 3.0 TDI quattro (CKVB) | PR 2EA, PR 2EE | Diesel | 4WD | 2967 | 180 | 245 | 10.10-06.16 | ■ |
| 3.0 TDI quattro (CKVC) | PR 2EA, PR 2EE | Diesel | 4WD | 2967 | 180 | 245 | 10.10-06.16 | ■ |
| 3.0 TDI quattro (CRTD) | PR 2EA, PR 2EE | Diesel | 4WD | 2967 | 200 | 272 | 05.14-05.18 | ■ |
| 3.0 TDI quattro (CGQB) | PR 2EA, PR 2EE | Diesel | 4WD | 2967 | 230 | 313 | 11.11-03.15 | ■ |
| 3.0 TDI quattro (CVUA) | PR 1KD, PR 2EA, PR 2EE | Diesel | 4WD | 2967 | 235 | 320 | 05.14-05.18 | ■ |
| 3.0 TDI quattro (CVUB) | PR 2EA, PR 2EJ, not ceramic brakes | Diesel | 4WD | 2967 | 240 | 326 | 09.14-05.18 | ■ |
| A8 III D4 (4H2, 4H8, 4HC, 4HL) 11.09- | | | | Saloon (Luxury car-F Segment) | | | | |
| 2.0 TFSI quattro (CYPA) | PR 1KW | Gasolina | 4WD | 1984 | 185 | 252 | 09.16-01.18 | ■ |
| 2.5 TFSI (CPAA) | PR 1KW | Gasolina | FWD | 2498 | 150 | 204 | 07.12-06.16 | ■ |
| 2.5 TFSI (CVBA) | PR 1KW | Gasolina | FWD | 2498 | 150 | 204 | 07.12-06.16 | ■ |
| 3.0 TFSI quattro (CGWA) | PR 1KW | Gasolina | 4WD | 2995 | 213 | 290 | 07.10-04.14 | ■ |
| 3.0 TFSI quattro (CGXA) | PR 1KW | Gasolina | 4WD | 2995 | 213 | 290 | 07.10-04.14 | ■ |
| 3.0 TFSI quattro (CREG) | PR 1KW | Gasolina | 4WD | 2995 | 213 | 290 | 07.10-04.14 | ■ |
| 3.0 TFSI quattro (CGWD) | PR 1KW | Gasolina | 4WD | 2995 | 228 | 310 | 11.11-01.18 | ■ |
| 3.0 TFSI quattro (CREA) | PR 1KW | Gasolina | 4WD | 2995 | 228 | 310 | 11.11-01.18 | ■ |
| 3.0 TFSI quattro (CGXC) | PR 1KW | Gasolina | 4WD | 2995 | 245 | 333 | 06.10-01.18 | ■ |
| 3.0 TFSI quattro (CMDA) | PR 1KW | Gasolina | 4WD | 2995 | 245 | 333 | 06.10-01.18 | ■ |
| 3.0 TFSI quattro (CREC) | PR 1KW | Gasolina | 4WD | 2995 | 245 | 333 | 06.10-01.18 | ■ |
| 3.0 TFSI quattro (CTDA) | PR 1KW | Gasolina | 4WD | 2995 | 245 | 333 | 06.10-01.18 | ■ |
| 3.0 TFSI quattro (CTUB) | PR 1KW | Gasolina | 4WD | 2995 | 245 | 333 | 06.10-01.18 | ■ |
| 4.0 TFSI quattro (CEUA) | PR 1KW | Gasolina | 4WD | 3993 | 309 | 420 | 03.12-12.14 | ■ |
| 4.0 TFSI quattro (CTGA) | PR 1KW | Gasolina | 4WD | 3993 | 320 | 435 | 10.13-12.15 | ■ |
| 4.0 TFSI quattro (CTGF) | PR 1KW | Gasolina | 4WD | 3993 | 331 | 450 | 07.15-01.18 | ■ |
| 4.2 FSI quattro (CDRA) | PR 1KW | Gasolina | 4WD | 4163 | 273 | 371 | 11.09-12.12 | ■ |
| 6.3 W12 quattro (CEJA) | PR 1KW | Gasolina | 4WD | 6299 | 368 | 500 | 01.11-01.18 | ■ |
| 6.3 W12 quattro (CTNA) | PR 1KW | Gasolina | 4WD | 6299 | 368 | 500 | 01.11-01.18 | ■ |

LISTA DE APLICACIONES - BUYERS GUIDE

| | | | | | | | | |
|--|--|---------------|-----|---|-----|-----|-------------|---|
| 2.0 TFSI Hybrid (CHJA) | PR 1KW | Gasol./el éc. | FWD | 1984 | 180 | 245 | 02.12-11.15 | ■ |
| 3.0 TDI (CLAB) | PR 1KW | Diesel | FWD | 2967 | 150 | 204 | 09.11-09.13 | ■ |
| 3.0 TDI quattro (CDTB) | PR 1KW | Diesel | 4WD | 2967 | 155 | 211 | 08.10-11.15 | ■ |
| 3.0 TDI quattro (CTBB) | PR 1KW | Diesel | 4WD | 2967 | 155 | 211 | 08.10-11.15 | ■ |
| 3.0 TDI quattro (CPNA) | PR 1KW | Diesel | 4WD | 2967 | 176 | 239 | 11.12-06.16 | ■ |
| 3.0 TDI quattro (CPNB) | PR 1KW | Diesel | 4WD | 2967 | 176 | 239 | 11.12-06.16 | ■ |
| 3.0 TDI quattro (CDTA) | PR 1KW | Diesel | 4WD | 2967 | 184 | 250 | 07.10-01.18 | ■ |
| 3.0 TDI quattro (CDTC) | PR 1KW | Diesel | 4WD | 2967 | 184 | 250 | 07.10-01.18 | ■ |
| 3.0 TDI quattro (CMHA) | PR 1KW | Diesel | 4WD | 2967 | 184 | 250 | 07.10-01.18 | ■ |
| 3.0 TDI quattro (CTBA) | PR 1KW | Diesel | 4WD | 2967 | 190 | 258 | 10.13-01.18 | ■ |
| 3.0 TDI quattro (CTBD) | PR 1KW | Diesel | 4WD | 2967 | 193 | 262 | 05.15-01.18 | ■ |
| 4.2 TDI quattro (CDSB) | PR 1KW | Diesel | 4WD | 4134 | 258 | 351 | 11.09-04.14 | ■ |
| 4.2 TDI quattro (CTEC) | PR 1KW | Diesel | 4WD | 4134 | 283 | 385 | 10.13-01.18 | ■ |
| A8 IV D5 (4N2, 4N8, 4NC, 4NL, 4NX) 06.17- | | | | Saloon (Luxury car-F Segment) | | | | |
| 45 TFSI quattro | PR 1KF, PR 1KJ, PR 2ED, PR 2EE, PR 2EF, not ceramic brakes | Gasolina | 4WD | 1984 | 195 | 265 | 08.22- | ■ |
| 50 TFSI Mild Hybrid quattro (4N8) (CZSA) | PR 1KF, PR 1KJ, PR 2ED, PR 2EE | Gasol./el éc. | 4WD | 2995 | 210 | 286 | 07.18- | ■ |
| 55 TFSI Mild Hybrid quattro (CZSE) | PR 1KF, PR 1KJ, PR 2ED, PR 2EE | Gasol./el éc. | 4WD | 2995 | 250 | 340 | 06.17- | ■ |
| 60 TFSI e quattro (CZSE) | PR 1KF, PR 1KJ, PR 2ED, PR 2EE | Gasol./el éc. | 4WD | 2995 | 330 | 449 | 10.19- | ■ |
| 60 TFSI e quattro | PR 1KF, PR 1KJ, PR 2ED, PR 2EE, PR 2EF, not ceramic brakes | Gasol./el éc. | 4WD | 2995 | 340 | 462 | 11.21- | ■ |
| 60 TFSI Mild Hybrid quattro (CXYA) | PR 1KF, PR 1KJ, PR 2ED, PR 2EE | Gasol./el éc. | 4WD | 3996 | 338 | 460 | 05.18- | ■ |
| S8 TFSI Mild Hybrid quattro (CWWB) | PR 1KF, PR 1KJ, PR 2ED, PR 2EE | Gasol./el éc. | 4WD | 3996 | 420 | 571 | 02.19- | ■ |
| 50 TDI Mild Hybrid quattro (DDVC) | PR 1KF, PR 1KJ, PR 2ED, PR 2EE | Diesel/el éc. | 4WD | 2967 | 210 | 286 | 06.17- | ■ |
| 60 TDI Mild Hybrid quattro (CVXB) | PR 1KF, PR 1KJ, PR 2ED, PR 2EE | Diesel/el éc. | 4WD | 3956 | 320 | 435 | 11.19- | ■ |
| 45 TDI quattro (CVMD) | PR 1KF, PR 1KJ, PR 2ED, PR 2EE | Diesel | 4WD | 2967 | 183 | 249 | 01.19- | ■ |
| Q5 (8RB) 11.08-12.17 | | | | SUV Van (Luxury Crossover SUV-J Segment) | | | | |
| 3.2 FSI quattro | PR 1KE | Gasolina | 4WD | 3197 | 199 | 271 | 11.08-09.12 | ■ |
| 2.0 TDI | PR 1KE, PR 2EL | Diesel | FWD | 1968 | 110 | 150 | 06.12-05.17 | ■ |
| 2.0 TDI | PR 1KE, PR 2EL | Diesel | FWD | 1968 | 140 | 190 | 05.15-05.17 | ■ |
| 3.0 TDI quattro | PR 1KE | Diesel | 4WD | 2967 | 176 | 239 | 11.08-04.13 | ■ |
| 3.0 TDI quattro | PR 1KE, PR 2EL | Diesel | 4WD | 2967 | 180 | 245 | 06.12-05.17 | ■ |
| 3.0 TDI quattro | PR 1KE, PR 2EL | Diesel | 4WD | 2967 | 190 | 258 | 11.13-05.17 | ■ |
| 3.0 SQ5 TDI quattro | PR 1KF, PR 2EJ | Diesel | 4WD | 2967 | 230 | 313 | 12.12-05.15 | ■ |
| 3.0 SQ5 TDI quattro | PR 1KF, PR 2EJ | Diesel | 4WD | 2967 | 240 | 326 | 04.15-05.17 | ■ |
| 3.0 SQ5 TDI quattro (YS23DDTT) | PR 1KF, PR 2EJ | Diesel | 4WD | 2967 | 250 | 340 | 11.15-05.17 | ■ |
| Q5 (8RB) 11.08- | | | | SUV (Luxury Crossover SUV-J Segment) | | | | |
| 2.0 TFSI quattro (CDNB) | PR 1KE | Gasolina | 4WD | 1984 | 132 | 180 | 08.09-05.17 | ■ |
| 2.0 TFSI quattro (CNCB) | PR 1KE | Gasolina | 4WD | 1984 | 132 | 180 | 08.09-05.17 | ■ |
| 2.0 TFSI quattro (CPMB) | PR 1KE, PR 2EL | Gasolina | 4WD | 1984 | 162 | 220 | 05.13-05.17 | ■ |
| 2.0 TFSI quattro (CNCD) | PR 1KE | Gasolina | 4WD | 1984 | 165 | 224 | 06.12-05.16 | ■ |
| 2.0 TFSI quattro (CNCE) | PR 1KE, PR 2EL | Gasolina | 4WD | 1984 | 169 | 230 | 08.15-05.17 | ■ |
| 3.0 TFSI quattro (CTUC) | PR 1KE, PR 2EL | Gasolina | 4WD | 2995 | 200 | 272 | 06.12-05.17 | ■ |
| 3.0 TFSI quattro (CTVA) | PR 1KE, PR 2EL | Gasolina | 4WD | 2995 | 200 | 272 | 06.12-05.17 | ■ |
| SQ5 TFSI quattro (CTUD) | PR 1KE, PR 2EL | Gasolina | 4WD | 2995 | 260 | 354 | 05.13-05.17 | ■ |
| SQ5 TFSI quattro (CTXA) | PR 1KE, PR 2EL | Gasolina | 4WD | 2995 | 260 | 354 | 05.13-05.17 | ■ |

LISTA DE APLICACIONES - BUYERS GUIDE

| | | | | | | | | | |
|-------------------------------------|--------------------------------|---------------|-----|------|-----|---|-------------|---|--|
| 3.2 FSI quattro (CALB) | PR 1KE | Gasolina | 4WD | 3197 | 199 | 270 | 11.08-12.12 | ■ | |
| 2.0 TFSI Hybrid quattro (CHJA) | PR 1KE | Gasol./el éc. | 4WD | 1984 | 180 | 245 | 06.11-06.16 | ■ | |
| 2.0 TDI (CJCB) | PR 1KE | Diesel | FWD | 1968 | 100 | 136 | 11.10-05.17 | ■ | |
| 2.0 TDI (CSUB) | PR 1KE | Diesel | FWD | 1968 | 100 | 136 | 11.10-05.17 | ■ | |
| 2.0 TDI quattro (CAGB) | PR 1KE | Diesel | 4WD | 1968 | 100 | 136 | 08.09-05.17 | ■ | |
| 2.0 TDI quattro (CJCB) | PR 1KE | Diesel | 4WD | 1968 | 100 | 136 | 08.09-05.17 | ■ | |
| 2.0 TDI quattro (CSUB) | PR 1KE | Diesel | 4WD | 1968 | 100 | 136 | 08.09-05.17 | ■ | |
| 2.0 TDI (CJCA) | PR 1KE | Diesel | FWD | 1968 | 105 | 143 | 11.10-05.13 | ■ | |
| 2.0 TDI quattro (CAGA) | PR 1KE | Diesel | 4WD | 1968 | 105 | 143 | 08.09-05.13 | ■ | |
| 2.0 TDI quattro (CJCA) | PR 1KE | Diesel | 4WD | 1968 | 105 | 143 | 08.09-05.13 | ■ | |
| 2.0 TDI (CJCD) | PR 1KE, PR 2EL | Diesel | FWD | 1968 | 110 | 150 | 05.13-05.17 | ■ | |
| 2.0 TDI (CSUA) | PR 1KE, PR 2EL | Diesel | FWD | 1968 | 110 | 150 | 05.13-05.17 | ■ | |
| 2.0 TDI quattro (CJCD) | PR 1KE, PR 2EL | Diesel | 4WD | 1968 | 110 | 150 | 05.13-05.17 | ■ | |
| 2.0 TDI quattro (CSUA) | PR 1KE, PR 2EL | Diesel | 4WD | 1968 | 110 | 150 | 05.13-05.17 | ■ | |
| 2.0 TDI quattro (CAHA) | PR 1KE | Diesel | 4WD | 1968 | 125 | 170 | 11.08-09.12 | ■ | |
| 2.0 TDI quattro (CGLB) | PR 1KE | Diesel | 4WD | 1968 | 125 | 170 | 11.08-09.12 | ■ | |
| 2.0 TDI quattro (CMGA) | PR 1KE | Diesel | 4WD | 1968 | 125 | 170 | 11.08-09.12 | ■ | |
| 2.0 TDI quattro (CGLC) | PR 1KE | Diesel | 4WD | 1968 | 130 | 177 | 06.12-05.17 | ■ | |
| 2.0 TDI quattro (CMGB) | PR 1KE | Diesel | 4WD | 1968 | 130 | 177 | 06.12-05.17 | ■ | |
| 2.0 TDI (CNHA) | PR 1KE, PR 2EL | Diesel | FWD | 1968 | 140 | 190 | 09.15-05.17 | ■ | |
| 2.0 TDI quattro (CNHA) | PR 1KE, PR 2EL | Diesel | 4WD | 1968 | 140 | 190 | 11.13-05.17 | ■ | |
| 3.0 TDI quattro (CCWB) | PR 1KE | Diesel | 4WD | 2967 | 155 | 211 | 11.08-09.12 | ■ | |
| 3.0 TDI quattro (CCWA) | PR 1KE | Diesel | 4WD | 2967 | 176 | 240 | 11.08-05.17 | ■ | |
| 3.0 TDI quattro (CPNB) | PR 1KE | Diesel | 4WD | 2967 | 176 | 240 | 11.08-05.17 | ■ | |
| 3.0 TDI quattro (CDUD) | PR 1KE | Diesel | 4WD | 2967 | 180 | 245 | 06.12-05.17 | ■ | |
| 3.0 TDI quattro (CTBC) | PR 1KE, PR 2EL | Diesel | 4WD | 2967 | 184 | 250 | 06.12-05.17 | ■ | |
| 3.0 TDI quattro (CTBA) | PR 1KE, PR 2EL | Diesel | 4WD | 2967 | 190 | 258 | 11.13-05.17 | ■ | |
| SQ5 TDI quattro (CGQB) | PR 1KF, PR 2EJ | Diesel | 4WD | 2967 | 230 | 313 | 12.12-11.15 | ■ | |
| SQ5 TDI quattro (CVUC) | PR 1KF, PR 2EJ | Diesel | 4WD | 2967 | 230 | 313 | 12.12-11.15 | ■ | |
| SQ5 TDI quattro (CVUB) | PR 1KF, PR 2EJ | Diesel | 4WD | 2967 | 240 | 326 | 04.15-05.17 | ■ | |
| SQ5 TDI quattro (DEHA) | PR 1KF, PR 2EJ | Diesel | 4WD | 2967 | 250 | 340 | 11.15-05.17 | ■ | |
| Q5 II (FYB, FYG) 05.16- | | | | | | SUV Van (Luxury Crossover SUV-J Segment) | | | |
| 3.0 SQ5 TDI Mild Hybrid quattro | PR 1KF, PR 1KJ, PR 1KK, PR 2EJ | Diesel/el éc. | 4WD | 2967 | 255 | 347 | 02.19-11.20 | ■ | |
| 3.0 TDI quattro | PR 1KF, PR 1KJ, PR 1KK, PR 2EJ | Diesel | 4WD | 2967 | 210 | 286 | 07.17-11.20 | ■ | |
| Q5 II (FYB, FYG) 05.16- | | | | | | SUV (Luxury Crossover SUV-J Segment) | | | |
| 2.0 TFSI quattro (DAXC) | PR 1KF, PR 1KJ, PR 1KK, PR 2EJ | Gasolina | 4WD | 1984 | 183 | 249 | 01.17-11.20 | ■ | |
| 2.0 TFSI quattro (DAXB) | PR 1KF, PR 1KJ, PR 1KK, PR 2EJ | Gasolina | 4WD | 1984 | 185 | 252 | 06.16-11.20 | ■ | |
| 2.0 TFSI quattro (DAYB) | PR 1KF, PR 1KJ, PR 1KK, PR 2EJ | Gasolina | 4WD | 1984 | 185 | 252 | 06.16-11.20 | ■ | |
| SQ5 TFSI quattro (CWGD) | PR 1KF, PR 1KJ, PR 1KK, PR 2EJ | Gasolina | 4WD | 2995 | 260 | 354 | 11.16- | ■ | |
| 40 TFSI Mild Hybrid quattro | PR 1KF, PR 1KJ, PR 1KK, PR 2EJ | Gasol./el éc. | 4WD | 1984 | 150 | 204 | 10.21- | ■ | |
| 45 TFSI Mild hybrid quattro (DGKB) | PR 1KF, PR 1KJ, PR 1KK, PR 2EJ | Gasol./el éc. | 4WD | 1984 | 180 | 245 | 12.18- | ■ | |
| 45 TFSI Mild hybrid quattro (DNNTA) | PR 1KF, PR 1KJ, PR 1KK, PR 2EJ | Gasol./el éc. | 4WD | 1984 | 180 | 245 | 12.18- | ■ | |
| 45 TFSI Mild hybrid quattro (DGKB) | PR 1KF, PR 1KJ, PR 1KK, PR 2EJ | Gasol./el éc. | 4WD | 1984 | 183 | 249 | 09.20- | ■ | |
| 45 TFSI Mild hybrid quattro (DPUA) | PR 1KF, PR 1KJ, PR 1KK, PR 2EJ | Gasol./el éc. | 4WD | 1984 | 195 | 265 | 08.20- | ■ | |

LISTA DE APLICACIONES - BUYERS GUIDE

| | | | | | | | | | |
|-------------------------------------|--|---------------|-----|------|-----|-----|---|---|--|
| 45 TFSI Mild hybrid quattro (DPVA) | PR 1KF, PR 1KJ, PR 1KK, PR 2EJ | Gasol./el éc. | 4WD | 1984 | 195 | 265 | 08.20- | ■ | |
| 50 TFSI e quattro (DLGA) | PR 1KF, PR 1KJ, PR 1KK, PR 2EJ | Gasol./el éc. | 4WD | 1984 | 220 | 299 | 04.19- | ■ | |
| 50 TFSI e quattro | PR 1KF, PR 1KJ, PR 1KK, PR 2EJ | Gasol./el éc. | 4WD | 1984 | 220 | 299 | 02.21- | ■ | |
| 55 TFSI e quattro (DLGA) | PR 1KF, PR 1KJ, PR 1KK, PR 2EJ | Gasol./el éc. | 4WD | 1984 | 270 | 367 | 08.19- | ■ | |
| 55 TFSI e quattro | PR 1KF, PR 1KJ, PR 1KK, PR 2EJ | Gasol./el éc. | 4WD | 1984 | 270 | 367 | 02.21- | ■ | |
| SQ5 TFSI Mild Hybrid quattro (CWGD) | | Gasol./el éc. | 4WD | 2995 | 260 | 354 | 07.21- | ■ | |
| 30 TDI Mild Hybrid (DEZB) | PR 1KF, PR 1KJ, PR 1KK, PR 2EJ | Diesel/el éc. | FWD | 1968 | 100 | 136 | 09.19- | ■ | |
| 35 TDI Mild Hybrid (DEZE) | PR 1KF, PR 1KJ, PR 1KK, PR 2EJ | Diesel/el éc. | FWD | 1968 | 120 | 163 | 09.19- | ■ | |
| 40 TDI Mild Hybrid quattro (DFBA) | PR 1KF, PR 1KJ, PR 1KK, PR 2EJ | Diesel/el éc. | 4WD | 1968 | 150 | 204 | 09.19- | ■ | |
| 50 TDI Mild Hybrid quattro (DMGA) | PR 1KF, PR 1KJ, PR 1KK, PR 2EJ | Diesel/el éc. | 4WD | 2967 | 210 | 286 | 06.20- | ■ | |
| SQ5 TDI Mild Hybrid quattro | PR 1KF, PR 1KJ, PR 1KK, PR 2EJ | Diesel/el éc. | 4WD | 2967 | 251 | 341 | 01.21- | ■ | |
| SQ5 TDI Mild Hybrid quattro (DEWB) | PR 1KF, PR 1KJ, PR 1KK, PR 2EJ | Diesel/el éc. | 4WD | 2967 | 255 | 347 | 02.19-09.20 | ■ | |
| 2.0 TDI (DEUB) | PR 1KF, PR 1KJ, PR 1KK, PR 2EJ | Diesel | FWD | 1968 | 100 | 136 | 01.17-11.20 | ■ | |
| 2.0 TDI (DEUA) | PR 1KF, PR 1KJ, PR 1KK, PR 2EJ | Diesel | FWD | 1968 | 110 | 150 | 01.17-11.20 | ■ | |
| 2.0 TDI quattro (DETB) | PR 1KF, PR 1KJ, PR 1KK, PR 2EJ | Diesel | 4WD | 1968 | 120 | 163 | 06.16-08.18 | ■ | |
| 35 TDI | PR 1KF, PR 1KJ, PR 1KK, PR 2EJ | Diesel | FWD | 1968 | 120 | 163 | 10.21- | ■ | |
| 35 TDI quattro (DETB) | PR 1KF, PR 1KJ, PR 1KK, PR 2EJ | Diesel | 4WD | 1968 | 120 | 163 | 08.18-11.20 | ■ | |
| 2.0 TDI quattro (DESA) | PR 1KF, PR 1KJ, PR 1KK, PR 2EJ | Diesel | 4WD | 1968 | 140 | 190 | 06.16-08.18 | ■ | |
| 2.0 TDI quattro (DETA) | PR 1KF, PR 1KJ, PR 1KK, PR 2EJ | Diesel | 4WD | 1968 | 140 | 190 | 06.16-08.18 | ■ | |
| 40 TDI quattro (DESA) | PR 1KF, PR 1KJ, PR 1KK, PR 2EJ | Diesel | 4WD | 1968 | 140 | 190 | 10.18- | ■ | |
| 40 TDI quattro (DETA) | PR 1KF, PR 1KJ, PR 1KK, PR 2EJ | Diesel | 4WD | 1968 | 140 | 190 | 10.18- | ■ | |
| 45 TDI quattro (DCPE) | PR 1KF, PR 1KJ, PR 1KK, PR 2EJ | Diesel | 4WD | 2967 | 170 | 231 | 08.18-11.20 | ■ | |
| 3.0 TDI quattro (DCPC) | PR 1KF, PR 1KJ, PR 1KK, PR 2EJ | Diesel | 4WD | 2967 | 210 | 286 | 07.17-11.20 | ■ | |
| 50 TDI quattro (DCPC) | PR 1KF, PR 1KJ, PR 1KK, PR 2EJ | Diesel | 4WD | 2967 | 210 | 286 | 03.19-11.20 | ■ | |
| Q5 II Sportback (FYT) 11.20- | | | | | | | SUV (Luxury Crossover SUV-J Segment) | | |
| SQ5 TFSI quattro | PR 1KF, PR 1KJ, PR 1KK, PR 1KU, PR 1KW, PR 2EJ | Gasolina | 4WD | 2995 | 260 | 354 | 03.21- | ■ | |
| 40 TFSI Mild Hybrid quattro | PR 1KF, PR 1KJ, PR 1KK, PR 2EJ | Gasol./el éc. | 4WD | 1984 | 150 | 204 | 10.21- | ■ | |
| 45 TFSI Mild hybrid quattro | PR 1KF, PR 1KJ, PR 1KK, PR 1KU, PR 1KW, PR 2EJ | Gasol./el éc. | 4WD | 1984 | 183 | 249 | 04.21- | ■ | |
| 45 TFSI Mild hybrid quattro | PR 1KF, PR 1KJ, PR 1KK, PR 1KU, PR 1KW, PR 2EJ | Gasol./el éc. | 4WD | 1984 | 195 | 265 | 11.20- | ■ | |
| 50 TFSI e quattro | PR 1KF, PR 1KJ, PR 1KK, PR 1KU, PR 1KW, PR 2EJ | Gasol./el éc. | 4WD | 1984 | 220 | 299 | 02.21- | ■ | |
| 2.0 55 TFSI e quattro | PR 1KF, PR 1KJ, PR 1KK, PR 1KU, PR 1KW, PR 2EJ | Gasol./el éc. | 4WD | 1984 | 270 | 367 | 07.21- | ■ | |
| 55 TFSI e quattro | PR 1KF, PR 1KJ, PR 1KK, PR 1KU, PR 1KW, PR 2EJ | Gasol./el éc. | 4WD | 1984 | 270 | 367 | 06.21- | ■ | |
| SQ5 TFSI quattro | PR 1KF, PR 1KJ, PR 1KK, PR 1KU, PR 1KW, PR 2EJ | Gasol./el éc. | 4WD | 2995 | 260 | 354 | 09.22- | ■ | |
| 35 TDI Mild Hybrid | PR 1KF, PR 1KJ, PR 1KK, PR 1KU, PR 1KW, PR 2EJ | Diesel/el éc. | FWD | 1968 | 120 | 163 | 04.21- | ■ | |
| 40 TDI Mild Hybrid quattro | PR 1KF, PR 1KJ, PR 1KK, PR 1KU, PR 1KW, PR 2EJ | Diesel/el éc. | 4WD | 1968 | 150 | 204 | 11.20- | ■ | |

LISTA DE APLICACIONES - BUYERS GUIDE

| | | | | | | | | | |
|-------------------------------------|--|---------------|-----|------|-----|-----|---|---|--|
| 50 TDI Mild Hybrid quattro | PR 1KF, PR 1KJ, PR 1KK, PR 1KU, PR 1KW, PR 2EJ | Diesel/el éc. | 4WD | 2967 | 210 | 286 | 02.21- | ■ | |
| SQ5 TDI Mild Hybrid quattro | PR 1KF, PR 1KJ, PR 1KK, PR 1KU, PR 1KW, PR 2EJ | Diesel/el éc. | 4WD | 2967 | 251 | 341 | 02.21- | ■ | |
| 40 TDI quattro (DESA) | PR 1KF, PR 1KJ, PR 1KK, PR 1KU, PR 1KW, PR 2EJ | Diesel | 4WD | 1968 | 140 | 190 | 04.22- | ■ | |
| Q7 II (4MB, 4MG) 01.15- | | | | | | | SUV Van (Luxury Crossover SUV-J Segment) | | |
| 3.0 45 TDI Mild Hybrid quattro | PR 2ED, PR 2EE, PR 2EH, PR 2EJ, not ceramic brakes | Diesel/el éc. | 4WD | 2967 | 170 | 231 | 07.18-12.19 | ■ | |
| 3.0 50 TDI Mild Hybrid quattro | PR 2ED, PR 2EE, PR 2EH, PR 2EJ, not ceramic brakes | Diesel/el éc. | 4WD | 2967 | 210 | 286 | 07.18-12.19 | ■ | |
| 3.0 TDI quattro | PR 2ED, PR 2EE, PR 2EH, PR 2EJ, not ceramic brakes | Diesel | 4WD | 2967 | 160 | 218 | 08.15-12.19 | ■ | |
| 3.0 TDI quattro | PR 2ED, PR 2EE, PR 2EH, PR 2EJ, not ceramic brakes | Diesel | 4WD | 2967 | 200 | 272 | 01.15-12.19 | ■ | |
| 4.0 SQ7 TDI quattro | PR 2ED, PR 2EE, PR 2EH, PR 2EJ, not ceramic brakes | Diesel | 4WD | 3956 | 320 | 435 | 04.16- | ■ | |
| Q7 II (4MB, 4MG, 4MQ) 01.15- | | | | | | | SUV (Luxury Crossover SUV-J Segment) | | |
| 45 TFSI quattro | PR 2ED, PR 2EE, PR 2EH, PR 2EJ, not ceramic brakes | Gasolina | 4WD | 1984 | 180 | 245 | 03.20- | ■ | |
| 2.0 TFSI quattro (CYMC) | PR 2ED, PR 2EE, PR 2EH, PR 2EJ, not ceramic brakes | Gasolina | 4WD | 1984 | 185 | 252 | 08.15- | ■ | |
| 2.0 TFSI quattro (CYRB) | PR 2ED, PR 2EE, PR 2EH, PR 2EJ, not ceramic brakes | Gasolina | 4WD | 1984 | 185 | 252 | 08.15- | ■ | |
| 45 TFSI quattro | | Gasolina | 4WD | 1984 | 195 | 265 | 11.22- | ■ | |
| 3.0 TFSI quattro (CREC) | PR 2ED, PR 2EE, PR 2EH, PR 2EJ, not ceramic brakes | Gasolina | 4WD | 2995 | 245 | 333 | 01.15-12.19 | ■ | |
| 55 TFSI quattro (DCBD) | PR 2ED, PR 2EE, PR 2EH, PR 2EJ, not ceramic brakes | Gasolina | 4WD | 2995 | 250 | 340 | 03.20- | ■ | |
| 55 TFSI quattro (DCBE) | PR 2ED, PR 2EE, PR 2EH, PR 2EJ | Gasolina | 4WD | 2995 | 250 | 340 | 01.21- | ■ | |
| SQ7 quattro (DCUE) | PR 2ED, PR 2EE, PR 2EH, PR 2EJ | Gasolina | 4WD | 3996 | 373 | 507 | 02.20- | ■ | |
| 2.0 TFSI e-tron quattro (CVJA) | PR 2ED, PR 2EE, PR 2EH, PR 2EJ, not ceramic brakes | Gasol./el éc. | 4WD | 1984 | 270 | 367 | 02.16-12.19 | ■ | |
| 55 TFSI Mild Hybrid quattro (DCBD) | PR 2ED, PR 2EE, PR 2EH, PR 2EJ, not ceramic brakes | Gasol./el éc. | 4WD | 2995 | 250 | 340 | 07.19- | ■ | |
| 55 TFSI e quattro | PR 2ED, PR 2EE, PR 2EH, PR 2EJ, not ceramic brakes | Gasol./el éc. | 4WD | 2995 | 280 | 381 | 11.19- | ■ | |
| 60 TFSI e quattro (DCBE) | PR 2ED, PR 2EE, PR 2EH, PR 2EJ, not ceramic brakes | Gasol./el éc. | 4WD | 2995 | 335 | 455 | 11.19- | ■ | |
| 60 TFSI e quattro | PR 2ED, PR 2EE, PR 2EH, PR 2EJ, not ceramic brakes | Gasol./el éc. | 4WD | 2995 | 340 | 462 | 10.20- | ■ | |
| 45 TDI Mild Hybrid quattro (DHXC) | PR 2ED, PR 2EE, PR 2EH, PR 2EJ, not ceramic brakes | Diesel/el éc. | 4WD | 2967 | 170 | 231 | 07.18- | ■ | |
| 50 TDI Mild Hybrid quattro (DHXA) | PR 2ED, PR 2EE, PR 2EH, PR 2EJ, not ceramic brakes | Diesel/el éc. | 4WD | 2967 | 210 | 286 | 07.18- | ■ | |
| 3.0 TDI e-tron quattro (CVZA) | PR 2ED, PR 2EE, PR 2EH, PR 2EJ, not ceramic brakes | Diesel/el éc. | 4WD | 2967 | 275 | 374 | 08.15-12.19 | ■ | |
| 3.0 TDI quattro (CZZB) | PR 2ED, PR 2EE, PR 2EH, PR 2EJ, not ceramic brakes | Diesel | 4WD | 2967 | 155 | 211 | 08.15-12.19 | ■ | |
| 3.0 TDI quattro (CRTE) | PR 2ED, PR 2EE, PR 2EH, PR 2EJ, not ceramic brakes | Diesel | 4WD | 2967 | 160 | 218 | 06.15-12.19 | ■ | |
| 3.0 TDI quattro (CZZA) | PR 2ED, PR 2EE, PR 2EH, PR 2EJ, not ceramic brakes | Diesel | 4WD | 2967 | 160 | 218 | 06.15-12.19 | ■ | |
| 3.0 TDI quattro (CVMD) | PR 2ED, PR 2EE, PR 2EH, PR 2EJ, not ceramic brakes | Diesel | 4WD | 2967 | 183 | 249 | 06.15-12.19 | ■ | |
| 45 TDI quattro | PR 2ED, PR 2EE, PR 2EH, PR 2EJ, not ceramic brakes | Diesel | 4WD | 2967 | 183 | 249 | 07.19- | ■ | |
| 3.0 TDI quattro (CUEA) | PR 2ED, PR 2EE, PR 2EH, PR 2EJ, not ceramic brakes | Diesel | 4WD | 2967 | 190 | 258 | 08.15-12.19 | ■ | |
| 3.0 TDI quattro (CRTC) | PR 2ED, PR 2EE, PR 2EH, PR 2EJ, not ceramic brakes | Diesel | 4WD | 2967 | 200 | 272 | 01.15-12.19 | ■ | |
| SQ7 TDI quattro (CZAC) | PR 2ED, PR 2EE, PR 2EH, PR 2EJ, not ceramic brakes | Diesel | 4WD | 3956 | 320 | 435 | 04.16- | ■ | |

AUDI (FAW)

LISTA DE APLICACIONES - BUYERS GUIDE

| | | | | | | | | | |
|--------------------------------------|--|---------------|-----|------|-----|---|-------------|---|--|
| A4L IV B8 (828) 11.08- | | | | | | Saloon (Compact executive car-D Segment) | | | |
| 3.0 TFSI | PR 1KE, PR 1KP | Gasolina | FWD | 2995 | 200 | 272 | 08.12- | ■ | |
| A4L V B9 (868, 86L) 09.16- | | | | | | Saloon (Compact executive car-D Segment) | | | |
| 35 TFSI | PR 1KJ, PR 1KJ | Gasolina | FWD | 1395 | 110 | 150 | 09.17- | ■ | |
| 35 TFSI | PR 1KJ, PR 1KW | Gasolina | FWD | 1984 | 110 | 150 | 10.18- | ■ | |
| 40 TFSI | | Gasolina | FWD | 1984 | 140 | 190 | 09.16- | ■ | |
| 40 TFSI (DTGA) | | Gasolina | FWD | 1984 | 140 | 190 | 03.23- | ■ | |
| 40 TFSI quattro (DTAA) | | Gasolina | 4WD | 1984 | 140 | 190 | 04.20- | ■ | |
| 45 TFSI quattro (DTKA) | | Gasolina | 4WD | 1984 | 180 | 245 | 03.23- | ■ | |
| 45 TFSI | | Gasolina | FWD | 1984 | 185 | 252 | 09.16- | ■ | |
| A6L III C7 (4X8, 4XL) 01.12- | | | | | | Saloon (Executive car-E Segment) | | | |
| 45 TFSI | | Gasolina | FWD | 2995 | 200 | 272 | 01.16- | ■ | |
| 50 FSI | | Gasolina | FWD | 2995 | 220 | 299 | 01.12- | ■ | |
| 3.0 TFSI | | Gasolina | FWD | 2995 | 228 | 310 | 01.14- | ■ | |
| 50 TFSI | | Gasolina | FWD | 2995 | 245 | 333 | 01.16- | ■ | |
| 40 e-tron (CPEA) | | Gasol./el éc. | FWD | 1984 | 180 | 245 | 08.17-12.18 | ■ | |
| A6L IV C8 (488) 01.19- | | | | | | Saloon (Executive car-E Segment) | | | |
| 40 TFSI | PR 1KE, PR 1KJ | Gasolina | FWD | 1984 | 140 | 190 | 01.19- | ■ | |
| 40 TFSI (DKWC, DTGA) | | Gasolina | FWD | 1984 | 140 | 190 | 04.20- | ■ | |
| 45 TFSI | PR 1KE, PR 1KJ | Gasolina | FWD | 1984 | 165 | 224 | 01.19- | ■ | |
| 45 TFSI quattro | PR 1KE, PR 1KJ | Gasolina | 4WD | 1984 | 165 | 224 | 01.19- | ■ | |
| 45 TFSI (DKWD,DTKA) | | Gasolina | FWD | 1984 | 180 | 245 | 08.22- | ■ | |
| 45 TFSI quattro (DKWD,DTKA) | | Gasolina | 4WD | 1984 | 180 | 245 | 08.22- | ■ | |
| 55 TFSI e quattro | PR 1KE, PR 1KJ | Gasol./el éc. | 4WD | 1984 | 270 | 367 | 01.20- | ■ | |
| 55 TFSI Mild Hybrid quattro | PR 1KE, PR 1KJ | Gasol./el éc. | 4WD | 2995 | 250 | 340 | 01.19- | ■ | |
| Q5L II B9 (87I, 87U) 07.18- | | | | | | SUV (Luxury Crossover SUV-J Segment) | | | |
| 40 TFSI quattro | | Gasolina | 4WD | 1984 | 140 | 190 | 07.18- | ■ | |
| 40 TFSI quattro (DKWC,DTGA) | | Gasolina | 4WD | 1984 | 140 | 190 | 08.20- | ■ | |
| 45 TFSI quattro | | Gasolina | 4WD | 1984 | 185 | 252 | 07.18- | ■ | |
| Q5L II Sportback (87F) 11.20- | | | | | | SUV (Luxury Crossover SUV-J Segment) | | | |
| 40 TFSI quattro (DTAA) | PR 1KF, PR 1KJ, PR 1KK, PR 1KU, PR 1KW, PR 2EJ | Gasolina | 4WD | 1984 | 140 | 190 | 11.20- | ■ | |
| 40 TFSI quattro (DTGA) | | Gasolina | 4WD | 1984 | 140 | 190 | 07.23- | ■ | |
| 45 TFSI quattro (DKWA) | PR 1KF, PR 1KJ, PR 1KK, PR 1KU, PR 1KW, PR 2EJ | Gasolina | 4WD | 1984 | 185 | 252 | 11.20- | ■ | |
| PORSCHE | | | | | | | | | |
| MACAN (95B) 02.14- | | | | | | SUV (Compact SUV-J Segment) | | | |
| 2.0 (MCN.CC) | PR 1KD, Syst. 17", not ceramic brakes | Gasolina | 4WD | 1984 | 174 | 237 | 05.14-09.18 | ■ | |
| 2.0 (MCY.NA) | PR 1KD, Syst. 17", not ceramic brakes | Gasolina | 4WD | 1984 | 174 | 237 | 05.14-09.18 | ■ | |
| 2.0 (DKNA) | PR 1KD, Syst. 17", not ceramic brakes | Gasolina | 4WD | 1984 | 180 | 245 | 05.18- | ■ | |
| 2.0 (DLHB) | PR 1KD, Syst. 17", not ceramic brakes | Gasolina | 4WD | 1984 | 185 | 252 | 05.15- | ■ | |
| 2.0 (MCY.NB) | PR 1KD, Syst. 17", not ceramic brakes | Gasolina | 4WD | 1984 | 185 | 252 | 05.15- | ■ | |
| 2.0 (MCY.PA) | PR 1KD, Syst. 17", not ceramic brakes | Gasolina | 4WD | 1984 | 185 | 252 | 05.15- | ■ | |
| 2.0 (95BAU1) | PR 1KD, Syst. 17", not ceramic brakes | Gasolina | 4WD | 1984 | 195 | 265 | 05.18- | ■ | |

LISTA DE APLICACIONES - BUYERS GUIDE

| | | | | | | | | |
|-------------------------------|---------------------------------------|----------|-----|------|-----|-----|-------------|---|
| 2.9 GTS (95BBL1) | PR 1KD, Syst. 17", not ceramic brakes | Gasolina | 4WD | 2894 | 280 | 380 | 05.19- | ■ |
| 2.9 S (95BBV1) (DGRB) | PR 1KD, Syst. 17", not ceramic brakes | Gasolina | 4WD | 2894 | 280 | 380 | 05.21- | ■ |
| 2.9 GTS AWD (95BBW1) (DGRC) | PR 1KD, Syst. 17", not ceramic brakes | Gasolina | 4WD | 2894 | 324 | 441 | 05.21- | ■ |
| 2.9 Turbo AWD (95BC11) (DGR) | PR 1KD, Syst. 17", not ceramic brakes | Gasolina | 4WD | 2894 | 324 | 441 | 05.18- | ■ |
| 2.9 Turbo AWD (95BC11) (DGRC) | PR 1KD, Syst. 17", not ceramic brakes | Gasolina | 4WD | 2894 | 324 | 441 | 05.18- | ■ |
| 3.0S (DLZB) | PR 1KD, Syst. 17", not ceramic brakes | Gasolina | 4WD | 2995 | 260 | 354 | 05.18- | ■ |
| 3.0S (MCT.MA) | PR 1KD, Syst. 17", not ceramic brakes | Gasolina | 4WD | 2997 | 250 | 340 | 02.14-09.18 | ■ |
| 3.0 GTS (MDC.NA) | PR 1KD, Syst. 17", not ceramic brakes | Gasolina | 4WD | 2997 | 265 | 360 | 10.15-09.18 | ■ |
| 3.0 S Diesel (MCT.BB) | PR 1KD, Syst. 17", not ceramic brakes | Diesel | 4WD | 2967 | 155 | 211 | 02.14-09.18 | ■ |
| 3.0 S Diesel (MCD.UJ) | PR 1KD, Syst. 17", not ceramic brakes | Diesel | 4WD | 2967 | 180 | 245 | 02.14-09.18 | ■ |
| 3.0 S Diesel (MCT.BC) | PR 1KD, Syst. 17", not ceramic brakes | Diesel | 4WD | 2967 | 184 | 250 | 02.14-09.18 | ■ |
| 3.0 S Diesel (MCT.BA) | PR 1KD, Syst. 17", not ceramic brakes | Diesel | 4WD | 2967 | 190 | 258 | 02.14-09.18 | ■ |

VW

| TOUAREG III (CR7, RC8) 11.17- | | | | SUV (Luxury Crossover SUV-J Segment) | | | | |
|--------------------------------------|----------------|---------------|-----|---|-----|-----|-------------|---|
| 2.0 TSI 4motion | PR 2ED, PR 2EE | Gasolina | 4WD | 1984 | 180 | 245 | 08.18-11.22 | ■ |
| 2.0 TFSI 4motion (CYRC) | PR 2ED, PR 2EE | Gasolina | 4WD | 1984 | 183 | 249 | 05.18-11.23 | ■ |
| 2.0 TSI 4motion | PR 2ED, PR 2EE | Gasolina | 4WD | 1984 | 185 | 252 | 09.18-11.23 | ■ |
| 2.0 TSI 4motion | PR 2ED, PR 2EE | Gasolina | 4WD | 1984 | 195 | 265 | 06.23- | ■ |
| 3.0 TSI 4motion (DCBE) | PR 2ED, PR 2EE | Gasolina | 4WD | 2995 | 250 | 340 | 03.18- | ■ |
| eHybrid 4motion (DFKA) | PR 2ED, PR 2EE | Gasol./el éc. | 4WD | 1984 | 270 | 367 | 11.20-06.22 | ■ |
| 3.0 eHybrid 4motion | PR 2ED, PR 2EE | Gasol./el éc. | 4WD | 2995 | 280 | 381 | 11.20- | ■ |
| 3.0 R 4motion | PR 2ED, PR 2EE | Gasol./el éc. | 4WD | 2995 | 340 | 462 | 09.20- | ■ |
| 3.0 TDI 4motion (DEND) | PR 2ED, PR 2EE | Diesel | 4WD | 2967 | 170 | 231 | 05.18- | ■ |
| 3.0 TDI 4motion (CVMD) | PR 2ED, PR 2EE | Diesel | 4WD | 2967 | 183 | 249 | 01.18-11.23 | ■ |
| 3.0 TDI 4motion | PR 2ED, PR 2EE | Diesel | 4WD | 2967 | 190 | 258 | 11.17- | ■ |
| 3.0 TDI 4motion (DENA) | PR 2ED, PR 2EE | Diesel | 4WD | 2967 | 210 | 286 | 11.17- | ■ |
| 4.0 V8 TDI 4motion (DMVB) | PR 2ED, PR 2EE | Diesel | 4WD | 3956 | 310 | 421 | 06.19-11.21 | ■ |

VW (SVW)

| PHIDEON (3E9, 3E8) 10.16- | | | | Saloon (Luxury car-F Segment) | | | | |
|----------------------------------|--|----------|-----|--------------------------------------|-----|-----|--------|---|
| 2.0 | | Gasolina | FWD | 1984 | 165 | 224 | 10.16- | ■ |
| 3.0 A las 4 ruedas (CREB) | | Gasolina | 4WD | 2995 | 220 | 299 | 10.16- | ■ |