

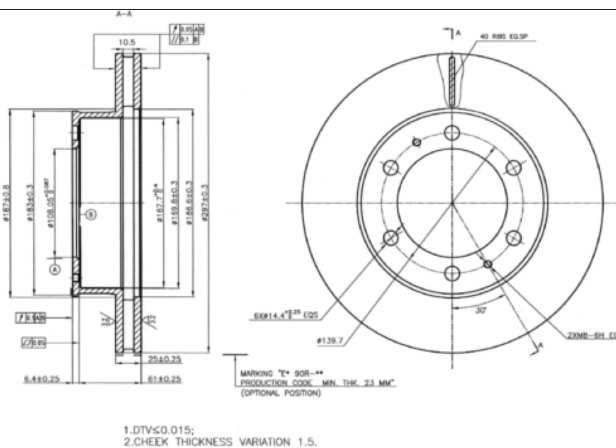
LISTA DE APLICACIONES - BUYERS GUIDE

78BD4211-2



Weight: 14.196

O.E.M.	MAKE
435120K060	TOYOTA
435120K070	TOYOTA
435120K071	TOYOTA
435120K250	TOYOTA



78BD4211-2

E1 90R-02C0452/0127



Ø297x25x67.4

MAKE
TOYOTA



Trac.	CC	Kw	CV		Front / Rear
-------	----	----	----	--	--------------

TOYOTA

FORTUNER / SW4 (_N5_, _N6_) 06.04-12.15					SUV (Compact SUV-J Segment)				
2.7 (TGN61_) (2TR-FE)	Gasolina	RWD	2694	116	158	03.09-05.15		■	
2.7 (TGN61_, TGN61R) (2TR-FE)	Gasolina	RWD	2694	118	160	06.04-05.15		■	
2.7 4WD (TGN51_, TGN51R) (2TR-FE)	Gasolina	4WD	2694	118	160	06.04-05.15		■	
2.5 D-4D (KUN60, RZN205) (2KD-FTV)	Diesel	RWD	2494	75	102	06.04-05.15		■	
2.5 D-4D 4WD (KUN50) (2KD-FTV)	Diesel	4WD	2494	75	102	01.09-05.15		■	
2.5 D-4D (KUN60) (2KD-FTV)	Diesel	RWD	2494	106	144	01.09-05.15		■	
2.5 D-4D 4WD (RZN215, KUN50) (2KD-FTV)	Diesel	4WD	2494	106	144	07.11-05.15		■	
3.0 D	Diesel	RWD	2982	120	163	08.09-05.15		■	
3.0 D 4WD (KUN51) (1KD-FTV)	Diesel	4WD	2982	120	163	06.04-05.15		■	
3.0 D (KUN61)	Diesel	RWD	2982	125	170	08.09-05.15		■	
3.0 D 4WD (KUN51) (1KD-FTV)	Diesel	4WD	2982	125	170	08.09-05.15		■	
3.0 D (KUN61_)	Diesel	RWD	2982	126	171	01.05-05.15		■	
3.0 D 4WD (KUN51_) (1KD-FTV)	Diesel	4WD	2982	126	171	08.09-05.15		■	
HiLux VII (_N1_, _N2_) 02.05-					Platform/Chassis (LCVs-N1 Segment)				
4.0 V6 VVTi (GGN15R)	Gasolina	RWD	3956	175	238	02.05-		■	
4.0 V6 VVTi 4WD (GGN25R)	Gasolina	4WD	3956	175	238	02.05-		■	
3.0 D 4WD (KUN26)	Diesel	4WD	2982	120	163	02.05-08.06		■	
3.0 D-4D (KUN16R)	Diesel	RWD	2982	126	171	02.05-		■	
3.0 D 4WD (KUN26) (1KD-FTV)	Diesel	4WD	2982	126	171	02.05-		■	
HiLux VII / HiLux (VIGO) (_N1_, _N2_, _N3_) 08.04-					Pickup (Pick-Up Truck)				
2.7 VVTi 4WD (TGN26) (2TR-FE)	Gasolina	4WD	2694	118	160	08.05-05.15		■	
4.0 V6 VVTi (GGN15)	Gasolina	RWD	3956	175	238	08.05-02.16		■	

LISTA DE APLICACIONES - BUYERS GUIDE

4.0 V6 VVTi 4WD (GGN25) (1GR-FE)	Gasolina	4WD	3956	175	238	08.05-02.16	■
2.5 D-4D (KUN15, KUN10) (2KD-FTV)	Diesel	RWD	2494	75	102	03.05-05.15	■
2.5 D 4WD (KUN25) (2KD-FTV)	Diesel	4WD	2494	75	102	03.05-05.15	■
2.5 D-4D (KUN15_, KUN15R) (2KD-FTV)	Diesel	RWD	2494	88	120	06.06-05.15	■
2.5 D-4D 4WD (KUN25_, KUN25R) (2KD-FTV)	Diesel	4WD	2494	88	120	06.06-05.15	■
2.5 D-4D (KUN15, KUN35) (2KD-FTV)	Diesel	RWD	2494	106	144	01.10-05.15	■
2.5 D-4D 4WD (KUN25) (2KD-FTV)	Diesel	4WD	2494	106	144	12.07-05.15	■
3.0 D-4D 4WD (KUN26) (1KD-FTV)	Diesel	4WD	2982	120	163	03.05-05.15	■
3.0 D-4D 4WD (KUN26)	Diesel	4WD	2982	124	169	08.05-05.15	■
3.0 D-4D (KUN16) (1KD-FTV)	Diesel	RWD	2982	126	171	08.06-05.15	■
3.0 D-4D 4WD (KUN26) (1KD-FTV)	Diesel	4WD	2982	126	171	08.05-09.15	■
3.0 Tdi 4x4 (KUN26)	Diesel	4WD	2982	130	177	06.13-05.15	■
3.0 D-4D 4WD (KUN26) (1KD-FTV)	Diesel	4WD	2982	145	197	05.08-12.12	■
3.0 D (LAN25_)	Diesel	4WD	2986	70	95	07.05-12.14	■
HiLux VIII (_N1_) 05.15-						Pickup (Pick-Up Truck)	
2.4 D 4WD (GUN125_) (2GD-FTV)	Diesel	4WD	2393	108	147	05.15-	■
3.0 D 4WD (LAN125_)	Diesel	4WD	2986	70	95	05.15-	■