

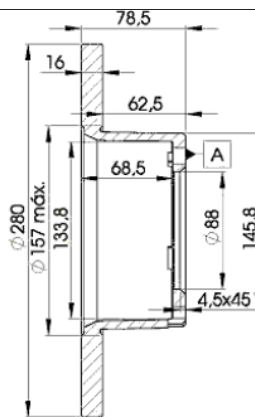
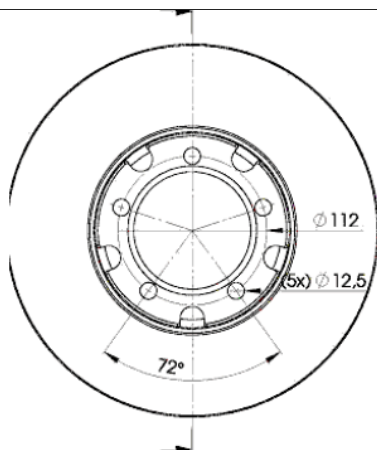
LISTA DE APLICACIONES - BUYERS GUIDE

78BD4280-1



Weight: 7.164

O.E.M.	MAKE
601 420 00 72	MERCEDES-BENZ
601 420 02 72	MERCEDES-BENZ
601 420 50 12	MERCEDES-BENZ
601 421 50 12	MERCEDES-BENZ
601 421 51 12	MERCEDES-BENZ



78BD4280-1

E1 90R-02C0415/0093



Ø280x16x78.6

MAKE
MERCEDES-BENZ



Trac.	CC	Kw	CV		
					Front / Rear

MERCEDES-BENZ

T1 (602) 04.77-02.96							Bus (Minibus-M2-Segment)		
210 2.3 (601.066, 601.077, 601.076, 601.067) (M 102.942)	Gasolina	RWD	2298	70	95	07.82-01.90	■		
210 2.3 (601.066, 601.077, 601.076, 601.067) (M 102.945)	Gasolina	RWD	2298	77	105	05.89-02.96	■		
208 2.3 (M 115.955)	Gasolina	RWD	2307	63	86	05.77-12.82	■		
208 2.3 (M 115.972)	Gasolina	RWD	2307	63	86	05.77-12.82	■		
208 D 2.3 (601.371, 601.372, 601.376, 601.377) (OM 601.940)	Diesel	RWD	2299	58	79	10.88-02.96	■		
308 D 2.3 (602.373) (OM 601.940)	Diesel	RWD	2299	58	79	05.90-02.96	■		
208 D 2.3 (601.377) (OM 601.940)	Diesel	RWD	2299	60	82	10.88-02.96	■		
308 D 2.3 (602.373, 602.371) (OM 601.940)	Diesel	RWD	2299	60	82	06.89-02.96	■		
207 D 2.4 (601.371, 601.376, 601.377) (OM 616.937)	Diesel	RWD	2399	53	72	07.82-01.90	■		
207 D 2.4 (601.371, 601.376, 601.377) (OM 616.939)	Diesel	RWD	2399	53	72	07.82-01.90	■		
207 D 2.4 (601.371, 601.376, 601.377) (OM 616.917)	Diesel	RWD	2404	48	65	05.77-12.82	■		
207 D 2.4 (601.371, 601.376, 601.377) (OM 616.934)	Diesel	RWD	2404	48	65	05.77-12.82	■		
210 D 2.8 (601.477, 601.476) (OM 602.940)	Diesel	RWD	2874	70	95	11.88-02.96	■		
310 D 2.9 (602.477, 602.476) (OM 602.940)	Diesel	RWD	2874	70	95	06.89-02.96	■		
210 D 2.8 (601.477) (OM 602.940)	Diesel	RWD	2874	72	98	11.88-02.96	■		
310 D 2.9 (602.477) (OM 602.940)	Diesel	RWD	2874	72	98	06.90-02.96	■		
209 D 2.9 (601.477, 601.476) (OM 617.913)	Diesel	RWD	2998	65	88	12.82-01.90	■		
T1 (601) 01.77-02.96							Platform/Chassis (LCVs-N1 Segment)		
210 2.3 (601.011, 601.067, 601.066, 601.012) (M 102.942)	Gasolina	RWD	2298	70	95	04.77-10.89	■		

LISTA DE APLICACIONES - BUYERS GUIDE

310 2.3 (602.011, 602.022, 602.021, 602.012) (M 102.942)	Gasolina	RWD	2299	70	95	01.82-12.94	■
210 2.3 (601.011, 601.067, 601.066, 601.012) (M 115.955)	Gasolina	RWD	2307	63	86	04.77-10.89	■
208 D 2.3 (601.311, 601.312, 601.316, 601.317, 601.328,... (OM 601.940)	Diesel	RWD	2299	58	79	11.88-02.96	■
308 D 2.3 (602.313) (OM 601.940)	Diesel	RWD	2299	58	79	06.89-02.96	■
208 D 2.3 (601.321) (OM 601.940)	Diesel	RWD	2299	60	82	06.89-02.96	■
308 D 2.3 (602.311, 602.323, 602.322, 602.321) (OM 601.940)	Diesel	RWD	2299	60	82	06.89-02.96	■
307 D 2.4 (602.323, 602.321) (OM 616.937)	Diesel	RWD	2399	48	65	04.77-01.83	■
207 D 2.4 (OM 616.937)	Diesel	RWD	2399	53	72	12.77-10.89	■
307 D 2.4 (OM 616.937)	Diesel	RWD	2399	53	72	06.82-01.90	■
307 D 2.4 (OM 616.939)	Diesel	RWD	2399	53	72	06.82-01.90	■
207 D 2.4 (601.311, 601.322, 601.321, 601.312) (OM 616.917)	Diesel	RWD	2404	48	65	04.77-12.82	■
210 D 2.9 (601.411, 601.412, 601.416, 601.417, 601.428,... (OM 602.940)	Diesel	RWD	2874	70	95	11.88-02.96	■
310 D 2.9 (602.413, 602.417, 602.416) (OM 602.940)	Diesel	RWD	2874	70	95	06.89-02.96	■
210 D 2.8 (601.422) (OM 602.940)	Diesel	RWD	2874	72	98	11.88-02.96	■
310 D 2.9 (602.417) (OM 602.940)	Diesel	RWD	2874	72	98	06.89-02.96	■
209 D 2.9 (601.411, 601.412, 601.416, 601.417, 601.428,... (OM 617.913)	Diesel	RWD	2998	65	88	12.82-01.90	■
309 D 3.0 (602.411, 602.423, 602.413, 602.412) (OM 617.913)	Diesel	RWD	2998	65	88	10.82-01.90	■
T1 (601, 611) 05.77-02.96				Van (LCVs-N1 Segment)			
210 2.3 (601.061, 601.067, 601.066, 601.062) (M 102.942)	Gasolina	RWD	2298	70	95	07.82-02.96	■
210 2.3 (601.061, 601.067, 601.066, 601.062) (M 102.946)	Gasolina	RWD	2298	70	95	07.82-02.96	■
310 2.3 (602.062, 602.061) (M 102.942)	Gasolina	RWD	2298	70	95	06.89-02.96	■
210 2.3 (601.011, 601.067, 601.066, 601.012) (M 102.945)	Gasolina	RWD	2298	77	105	05.89-02.96	■
310 2.3 (602.062, 602.061) (M 102.945)	Gasolina	RWD	2299	77	105	01.89-12.95	■
210 2.3 (M 115.955)	Gasolina	RWD	2307	63	86	05.77-12.82	■
208 D 2.3 (601.362, 601.361) (OM 601.940)	Diesel	RWD	2299	58	79	11.88-02.96	■
308 D 2.3 (602.368) (OM 601.940)	Diesel	RWD	2299	58	79	11.88-02.96	■
208 D 2.3 (601.362) (OM 601.940)	Diesel	RWD	2299	60	82	10.88-02.96	■
308 D 2.3 (602.361, 602.362, 602.373, 602.372, 602.363) (OM 601.940)	Diesel	RWD	2299	60	82	06.89-02.96	■
207 D 2.4 (601.361, 601.367, 601.366, 601.362) (OM 616.937)	Diesel	RWD	2399	53	72	06.82-01.90	■
207 D 2.4 (601.361, 601.367, 601.366, 601.362) (OM 616.939)	Diesel	RWD	2399	53	72	06.82-01.90	■
307 D 2.4 (OM 616.937)	Diesel	RWD	2399	53	72	10.82-01.90	■
307 D 2.4 (OM 616.939)	Diesel	RWD	2399	53	72	10.82-01.90	■
407 D 2.4 (611.367, 611.368) (OM 616.937)	Diesel	RWD	2399	53	72	04.81-07.82	■
210 D 2.8 (601.461, 601.467, 601.466, 601.462) (OM 602.940)	Diesel	RWD	2874	70	95	10.88-02.96	■
310 D 2.9 (602.466, 602.477, 602.476, 602.467) (OM 602.940)	Diesel	RWD	2874	70	95	06.89-02.96	■
210 D 2.8 (601.466) (OM 602.940)	Diesel	RWD	2874	72	98	10.88-02.96	■
310 D 2.9 (602.467) (OM 602.940)	Diesel	RWD	2874	72	98	06.89-02.96	■
209 D 2.9 (601.461, 601.467, 601.466, 601.462) (OM 617.913)	Diesel	RWD	2998	65	88	12.82-01.90	■
309 D 3.0 (602.461, 602.462, 602.477, 602.476, 602.463) (OM 617.913)	Diesel	RWD	2998	65	88	10.82-01.90	■
T1/TN 07.81-06.95				Platform/Chassis (LCVs-N1 Segment)			
410 (611.017, 611.018) (M 102.942)	Gasolina	RWD	2298	70	95	08.82-06.95	■
410 (611.017, 611.018) (M 102.945)	Gasolina	RWD	2298	77	105	08.82-06.95	■

LISTA DE APLICACIONES - BUYERS GUIDE

408 D (611.317, 611.318) (OM 601.940)	Diesel	RWD	2299	58	79	11.88-06.95	■
408 D (611.317, 611.318) (OM 601.940)	Diesel	RWD	2299	60	82	11.88-06.95	■
407 D (611.317, 611.318) (OM 616.913)	Diesel	RWD	2398	53	72	07.81-01.89	■
407 D (611.317, 611.318) (OM 616.939)	Diesel	RWD	2398	53	72	07.81-01.89	■
410 D (611.417, 611.418) (OM 602.940)	Diesel	RWD	2874	70	95	11.88-06.95	■
410 D (611.417, 611.418) (OM 602.940)	Diesel	RWD	2874	72	98	11.88-06.95	■
409 D (611.417, 611.418) (OM 617.913)	Diesel	RWD	2998	65	88	04.82-01.89	■
T1/TN 07.81-06.95							Van (LCVs-N1 Segment)
410 (611.067, 611.068) (M 102.942)	Gasolina	RWD	2298	70	95	08.82-06.95	■
410 (611.067, 611.068) (M 102.945)	Gasolina	RWD	2298	77	105	08.82-06.95	■
408 D (611.367, 611.368) (OM 601.940)	Diesel	RWD	2299	58	79	11.88-06.95	■
408 D (611.367, 611.368) (OM 601.940)	Diesel	RWD	2299	60	82	11.88-06.95	■
407 D (611.367, 611.368) (OM 616.913)	Diesel	RWD	2398	53	72	07.81-01.89	■
407 D (611.367, 611.368) (OM 616.939)	Diesel	RWD	2398	53	72	07.81-01.89	■
410 D (611.467, 611.468) (OM 602.940)	Diesel	RWD	2874	70	95	11.88-06.95	■
410 D (611.467, 611.468) (OM 602.940)	Diesel	RWD	2874	72	98	11.88-06.95	■
409 D (611.467, 611.468) (OM 617.913)	Diesel	RWD	2998	65	88	04.82-01.89	■
T2/L 01.68-12.88							Platform/Chassis (LCVs-N1 Segment)
L 408 G (309.000, 309.001, 309.002, 309.003, 309.011,... (M 115.928)	Gasolina	RWD	2197	55	75	08.72-12.74	■
L 408 G (309.000, 309.001, 309.002, 309.003, 309.011,... (M 115.921)	Gasolina	RWD	2197	63	85	08.72-12.74	■
L 410 (309.000, 309.002) (M 102.943)	Gasolina	RWD	2299	70	95	08.82-12.88	■
L 409 (309.000, 309.001, 309.002, 309.003) (M 115.952)	Gasolina	RWD	2307	66	90	01.75-08.82	■
L 405 D (OM 615)	Diesel	RWD	2197	44	60	01.72-12.80	■
L 406 DG (309.100, 309.101, 309.102, 309.103) (OM 615.910)	Diesel	RWD	2197	44	60	01.68-12.74	■
L 407 D (309.100, 309.101, 309.102, 309.103) (OM 616.910)	Diesel	RWD	2404	48	65	01.75-12.88	■
L 407 D (309.100, 309.101, 309.102, 309.103) (OM 616.917)	Diesel	RWD	2404	48	65	01.75-12.88	■
L 407 D (309.100, 309.101, 309.102, 309.103) (OM 616.910)	Diesel	RWD	2404	53	72	01.75-12.88	■
L 508 DG (309.400, 309.401, 309.402, 309.403, 309.404,... (OM 314.946)	Diesel	RWD	3782	63	85	01.70-12.88	■
L 508 DG (309.400, 309.401, 309.402, 309.403, 309.404,... (OM 314.948)	Diesel	RWD	3782	63	85	01.70-12.88	■
T2/L 01.68-12.88							Van (LCVs-N1 Segment)
L 408 G (309.012, 309.013, 309.014, 309.015, 309.016,... (M 115.928)	Gasolina	RWD	2197	55	75	08.72-12.74	■
L 408 G (309.012, 309.013, 309.014, 309.015, 309.016,... (M 115.921)	Gasolina	RWD	2197	63	85	08.72-12.74	■
L 410 (309.011, 309.012, 309.013, 309.014, 309.015,... (M 102.943)	Gasolina	RWD	2299	70	95	08.82-12.88	■
L 409 (309.011, 309.012, 309.013, 309.014, 309.015,... (M 115.952)	Gasolina	RWD	2307	66	90	01.75-08.82	■
L 405 D (OM 615)	Diesel	RWD	2197	44	60	01.72-12.80	■
L 406 DG (309.111, 309.112, 309.113, 309.114, 309.115,... (OM 615.910)	Diesel	RWD	2197	44	60	01.68-12.74	■
L 407 D (309.111, 309.112, 309.113, 309.114, 309.115,... (OM 616.910)	Diesel	RWD	2404	48	65	01.75-12.88	■
L 407 D (309.111, 309.112, 309.113, 309.114, 309.115,... (OM 616.910)	Diesel	RWD	2404	53	72	01.75-12.88	■
L 508 DG (309.411, 309.412, 309.413, 309.414, 309.415,... (OM 314.946)	Diesel	RWD	3782	63	85	01.70-12.88	■
L 508 DG (309.411, 309.412, 309.413, 309.414, 309.415,... (OM 314.948)	Diesel	RWD	3782	63	85	01.70-12.88	■

LISTA DE APLICACIONES - BUYERS GUIDE

T2/LN1 04.86-12.11					Platform/Chassis (LCVs-N1 Segment)			
507 D (667.301, 667.302, 667.341, 667.342) (OM 616.914)	Diesel	RWD	2399	53	72	04.86-04.89	■	
507 DK (667.341, 667.342) (OM 616.914)	Diesel	RWD	2399	53	72	04.86-04.89	■	
T2/LN1 04.86-12.94					Van (LCVs-N1 Segment)			
507 D (667.361, 667.362) (OM 616.914)	Diesel	RWD	2399	53	72	04.86-04.89	■	