

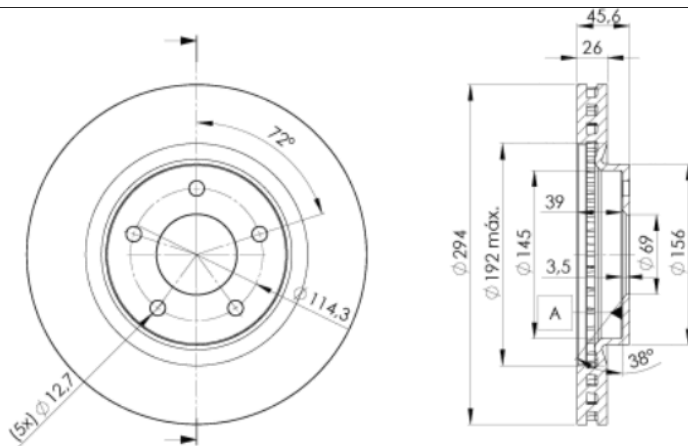
LISTA DE APLICACIONES - BUYERS GUIDE

78BD4644-2



Weight: 13.640

O.E.M.	MAKE
16 075 005 80	PEUGEOT
16 106 230 80	PEUGEOT
4615A075	MITSUBISHI
4615A117	MITSUBISHI
5105 514AA	JEEP



78BD4644-2

E1 90R-02C0538/0082



Ø294x26.3x45.7

MAKE
BAIC
CHRYSLER
CITROËN
DODGE
JEEP
LANCIA
MITSUBISHI
PEUGEOT



Trac.	CC	Kw	CV
-------	----	----	----



Front / Rear

BAIC

SENOVA X65 03.15-

SUV ()

2.0 T (B250EFA)	Gasolina	FWD	1992	130	177	03.15-	■
-----------------	----------	-----	------	-----	-----	--------	---

CHRYSLER

200 01.10-

Convertible (Executive car-E Segment)

2.4 (ED3)	Gasolina	FWD	2360	129	175	01.11-12.14	■
2.4 (EDG)	Gasolina	FWD	2360	129	175	01.11-12.14	■
3.6 (ERB)	Gasolina	FWD	3604	211	287	09.11-12.12	■
3.6 Flexfuel	Gasol./Etanol	FWD	3604	211	287	09.10-	■

200 01.10-

Saloon (Executive car-E Segment)

2.4 (ED3)	Gasolina	FWD	2360	129	175	01.11-12.15	■
2.4 (EDG)	Gasolina	FWD	2360	129	175	01.11-12.15	■

SEBRING III / CIRRUS (JS) 05.07-12.10

Convertible (Executive car-E Segment)

2.4 VVT (ED3)	Gasolina	FWD	2360	125	170	07.07-12.10	■
2.4 (EDG)	Gasolina	FWD	2360	128	174	05.07-12.10	■
2.7 (EER)	Gasolina	FWD	2736	137	186	07.07-12.10	■
2.7 VVT (EER)	Gasolina	FWD	2736	141	192	07.07-12.10	■
3.5 (EGG)	Gasolina	FWD	3518	175	238	05.07-12.10	■
2.7 Flexfuel (EER)	Gasol./Etanol	FWD	2736	137	186	05.07-09.10	■
2.0 CRD (ECD)	Diesel	FWD	1968	103	140	07.07-12.10	■

SEBRING III / CIRRUS (JS) 09.06-12.10

Saloon (Executive car-E Segment)

2.0 VVT (ECN)	Gasolina	FWD	1998	115	156	07.07-12.10	■
---------------	----------	-----	------	-----	-----	-------------	---

LISTA DE APLICACIONES - BUYERS GUIDE

2.4 VVT (ED3)		Gasolina	FWD	2360	125	170	07.07-12.10	■	
2.4 VVT (EDG)		Gasolina	FWD	2360	125	170	07.07-12.10	■	
2.4 (EDG)		Gasolina	FWD	2360	128	174	09.06-12.10	■	
2.4 AWD		Gasolina	FWD	2360	128	174	09.07-12.08	■	
2.7 VVT (EER)		Gasolina	FWD	2736	137	186	07.07-09.10	■	
2.7 (EER)		Gasolina	FWD	2736	138	188	07.07-12.10	■	
2.7 VVT (EER)		Gasolina	FWD	2736	141	192	09.06-12.10	■	
3.5 (EGF)		Gasolina	FWD	3518	175	238	09.06-12.08	■	
3.5 AWD		Gasolina	4WD	3518	175	238	11.07-12.10	■	
2.0 CRD (ECD)		Diesel	FWD	1968	103	140	07.07-12.10	■	
CITROËN									
C4 AIRCROSS 08.10-						SUV (Mini SUV-J Segment)			
1.6 (4A92)		Gasolina	FWD	1590	86	117	04.12-	■	
1.6 (NKZ (4A92))		Gasolina	FWD	1590	86	117	04.12-	■	
2.0		Gasolina	FWD	1998	110	150	04.12-	■	
2.0 AWC		Gasolina	4WD	1998	110	150	04.12-	■	
1.6 HDi 115 (9HD (DV6C))		Diesel	FWD	1560	84	114	04.12-	■	
1.6 HDi 115 AWC (9HL (DV6C))		Diesel	4WD	1560	84	114	05.12-	■	
1.8 HDi 150 (4N13)		Diesel	FWD	1798	110	150	04.12-	■	
1.8 HDi 150 AWC (4N13)		Diesel	4WD	1798	110	150	04.12-	■	
DODGE									
AVENGER II 06.07-						Saloon (Sports car-S Segment)			
2.0 (ECN)		Gasolina	FWD	1998	115	156	06.07-12.11	■	
2.4 (EDG)		Gasolina	FWD	2360	125	170	06.07-12.14	■	
2.4		Gasolina	FWD	2360	127	173	01.12-12.14	■	
2.4		Gasolina	FWD	2360	127	173	01.12-	■	
2.4 (ED3)		Gasolina	FWD	2360	129	175	06.07-12.14	■	
2.4 (EDG)		Gasolina	FWD	2360	129	175	06.07-12.14	■	
2.4		Gasolina	FWD	2360	129	175	01.12-	■	
2.7 (EER)		Gasolina	FWD	2736	137	186	06.07-12.11	■	
3.5 (EGF)		Gasolina	FWD	3518	175	238	06.07-12.09	■	
3.5 AWD (EGF)		Gasolina	4WD	3518	175	238	06.07-12.11	■	
3.5 AWD (EGJ)		Gasolina	4WD	3518	175	238	06.07-12.11	■	
3.6 (ERB)		Gasolina	FWD	3605	211	287	01.12-12.14	■	
2.7 Flex-Fuel (EER)		Gasol./Etanol	FWD	2736	139	189	06.07-12.09	■	
2.0 CRD (ECD)		Diesel	FWD	1968	103	140	06.07-12.11	■	
CALIBER 06.06-						Hatchback (Compact car-C Segment)			
1.8 (EBA)		Gasolina	FWD	1798	110	150	06.06-12.09	■	
2.0 (ECN)		Gasolina	FWD	1998	115	156	06.06-	■	
2.4 (ED3)		Gasolina	FWD	2359	125	170	10.06-	■	
2.4 AWD (ED3)		Gasolina	4WD	2359	125	170	10.06-	■	
2.4 (ED3)		Gasolina	FWD	2359	126	172	10.06-	■	
2.4 Turbo (ED4)		Gasolina	FWD	2359	217	295	12.07-	■	
2.4 AWD		Gasolina	FWD	2360	128	174	09.06-12.07	■	
2.4		Gasolina	FWD	2360	213	290	09.07-12.09	■	
2.0 CRD (ECD)		Diesel	FWD	1968	88	120	06.06-11.11	■	
2.0 CRD (ECD)		Diesel	FWD	1968	100	136	06.06-11.11	■	
2.0 CRD (ECD)		Diesel	FWD	1968	103	140	06.06-	■	
2.0 CRD (ECE)		Diesel	FWD	1968	103	140	06.06-	■	

LISTA DE APLICACIONES - BUYERS GUIDE

2.2 CRD (ENE)		Diesel	FWD	2143	120	163	07.10-11.11	■
JEEP								
COMPASS (MK49) 08.06-				SUV (Compact SUV-J Segment)				
2.0 (ECN)		Gasolina	FWD	1998	115	156	05.11-	■
2.0 (ECN)		Gasolina	FWD	1998	118	160	08.06-	■
2.0 4x4 (ECN)		Gasolina	4WD	1998	118	160	08.06-	■
2.4 (ED3)		Gasolina	FWD	2360	125	170	08.06-	■
2.4 (EDG)		Gasolina	FWD	2360	125	170	08.06-	■
2.4 (ERZ)		Gasolina	FWD	2360	125	170	08.06-	■
2.4 4x4 (ED3)		Gasolina	4WD	2360	125	170	09.06-	■
2.4 4x4 (ERZ)		Gasolina	4WD	2360	125	170	09.06-	■
2.4 (ED3)		Gasolina	FWD	2360	128	174	08.06-	■
2.4 4x4		Gasolina	4WD	2360	128	174	08.06-	■
2.0 CRD 4x4 (ECD)		Diesel	4WD	1968	88	120	02.07-	■
2.0 CRD (ECD)		Diesel	FWD	1968	103	140	08.06-	■
2.0 CRD (ECE)		Diesel	FWD	1968	103	140	08.06-	■
2.0 CRD 4x4 (ECE)		Diesel	4WD	1968	103	140	09.06-	■
2.2 CRD (ENE)		Diesel	FWD	2143	100	136	05.11-	■
2.2 CRD 4x4 (ENE)		Diesel	4WD	2143	100	136	05.11-	■
2.2 CRD 4x4 (OM 651.925)		Diesel	4WD	2143	120	163	12.10-	■
PATRIOT (MK74) 02.07-				Closed Off-Road Vehicle (Compact SUV-J Segment)				
2.0 (ECN)		Gasolina	FWD	1998	115	156	01.11-12.17	■
2.0 4x4 (ECN)		Gasolina	4WD	1998	115	156	02.07-12.17	■
2.4 (ED3)		Gasolina	FWD	2360	125	170	06.09-12.17	■
2.4 (EDG)		Gasolina	FWD	2360	125	170	06.09-12.17	■
2.4 4x4 (ED3)		Gasolina	4WD	2360	125	170	01.08-12.17	■
2.4 4x4 (EDG)		Gasolina	4WD	2360	125	170	01.08-12.17	■
2.4 4x4 (ED3)		Gasolina	4WD	2360	128	174	02.07-12.17	■
2.4 Eco + 4x4 (ED3)		Gasol./Gas (LPG)	4WD	2360	125	170	07.08-12.17	■
2.0 CRD 4x4 (ECD)		Diesel	4WD	1968	88	120	02.07-12.17	■
2.0 CRD (ECD)		Diesel	FWD	1968	103	140	02.07-12.17	■
2.0 CRD (ECE)		Diesel	FWD	1968	103	140	02.07-12.17	■
2.0 CRD 4x4 (ECD)		Diesel	4WD	1968	103	140	02.07-12.17	■
2.0 CRD 4x4 (ECE)		Diesel	4WD	1968	103	140	02.07-12.17	■
2.2 CRD (ENE)		Diesel	FWD	2143	100	136	01.11-12.17	■
2.2 CRD 4x4 (ENE)		Diesel	4WD	2143	100	136	01.11-12.17	■
2.2 CRD 4x4 (ENE)		Diesel	4WD	2143	120	163	01.11-12.17	■
LANCIA								
FLAVIA III (JS_) 03.12-12.14				Convertible (Executive car-E Segment)				
2.4 (JK, JS) (EDG)		Gasolina	FWD	2360	125	170	03.12-12.14	■
2.4 (JS) (EDG)		Gasolina	FWD	2360	129	175	03.12-12.14	■
MITSUBISHI								
ASX (GA_W_) 06.10-				SUV Van (Compact SUV-J Segment)				
1.8 DI-D 4WD (4N13)		Diesel	4WD	1798	110	150	06.10-	■
ASX (GA_W_) 11.09-				SUV (Compact SUV-J Segment)				
1.6 MIVEC (GA1W) (4A92)		Gasolina	FWD	1590	85	116	05.10-	■
1.6 MIVEC (GA1W) (4A92)		Gasolina	FWD	1590	86	117	06.10-	■
1.8 (GA3W) (4B10)		Gasolina	FWD	1798	102	139	02.10-	■

LISTA DE APLICACIONES - BUYERS GUIDE

1.8 4WD (GA3W)		Gasolina	4WD	1798	102	139	02.10-	■	
2.0		Gasolina	FWD	1998	108	147	09.10-12.12	■	
2.0 4WD (4B11)		Gasolina	4WD	1998	108	147	06.10-	■	
2.0 i 4WD (4B11)		Gasolina	4WD	1998	109	148	01.11-	■	
2.0 MIVEC (GA2W) (4B11)		Gasolina	FWD	1998	110	150	06.10-	■	
2.0 MIVEC (GA2W) (4J11)		Gasolina	FWD	1998	110	150	06.10-	■	
2.0 MIVEC 4WD (4B11)		Gasolina	4WD	1998	110	150	06.10-	■	
2.0 MIVEC 4WD (4J11)		Gasolina	4WD	1998	110	150	06.10-	■	
2.0 i 4WD (GA2W)		Gasolina	4WD	1998	112	152	01.10-	■	
2.0 i 4WD		Gasolina	4WD	1998	114	155	01.10-	■	
2.0 i		Gasolina	FWD	1998	118	160	06.10-	■	
2.0 i 4WD		Gasolina	4WD	1998	118	160	06.10-	■	
2.4 (GA5W) (4B12)		Gasolina	FWD	2360	125	170	09.14-	■	
2.4 4WD (4B12)		Gasolina	4WD	2360	125	170	09.14-	■	
1.6 LPG		Gasol./Gas (LPG)	FWD	1590	86	117	06.10-	■	
2.0 Flex (4B11)		Gasol./Etanol	FWD	1998	125	170	01.18-09.22	■	
2.0 Flex 4WD (4B11)		Gasol./Etanol	4WD	1998	125	170	07.17-09.22	■	
1.6 DI-D (9HD)		Diesel	FWD	1560	84	114	07.15-	■	
1.6 DI-D 4WD (9HD)		Diesel	4WD	1560	84	114	07.15-	■	
1.8 DI-D (GA6W) (4N13)		Diesel	FWD	1798	85	116	06.10-	■	
1.8 DI-D 4WD (GA6W) (4N13)		Diesel	4WD	1798	85	116	06.10-	■	
1.8 DI-D (GA6W) (4N13)		Diesel	FWD	1798	110	150	06.10-	■	
1.8 DI-D 4WD (GA6W) (4N13)		Diesel	4WD	1798	110	150	06.10-	■	
2.2 DI-D 4WD (GA8W) (4N14)		Diesel	4WD	2268	110	150	04.13-	■	
ECLIPSE CROSS (GK_, GL_) 10.17-					SUV (Compact SUV-J Segment)				
1.5 (GK1W) (4B40)		Gasolina	FWD	1499	110	150	10.17-	■	
1.5 4WD (GK1W)		Gasolina	4WD	1499	110	150	10.17-	■	
1.5 T-Mivec 4WD (GK1W) (4B40)		Gasolina	4WD	1499	112	152	10.17-	■	
1.5 T-Mivec (4B40)		Gasolina	FWD	1499	120	163	10.17-	■	
1.5 T-Mivec 4WD (4B40)		Gasolina	4WD	1499	120	163	10.17-	■	
2.0		Gasolina	FWD	1998	110	150	05.18-	■	
Plug-in Hybrid 4WD (GL3W)		Gasol./eléc.	4WD	2360	138	188	01.21-	■	
2.2 DiD 4WD (GK9W) (4N14)		Diesel	4WD	2268	109	148	03.19-	■	
LANCER V Cargo (CV_) 01.07-					Estate Van (Compact car-C Segment)				
2.4		Gasolina	FWD	2360	125	170	09.09-12.11	■	
LANCER V EX / GALANT FORTIS / LANCER SERIE R / LANCER FORTIS (CY_A, CZ_A) 03.07-					Saloon (Compact car-C Segment)				
2.0 i (CY4A) (4B11)		Gasolina	FWD	1998	113	154	04.07-	■	
OUTLANDER II (CW_W) 09.05-12.12					SUV (Compact SUV-J Segment)				
3.0 4WD (CW6W) (6B31)		Gasolina	4WD	2998	169	230	09.10-12.12	■	
OUTLANDER III / PHEV III (GG_W, GF_W, ZJ, ZL, ZK) 11.10-					SUV (Compact SUV-J Segment)				
2.0 (4B11)		Gasolina	FWD	1998	105	143	10.12-12.22	■	
2.0 (GF2W) (4B11)		Gasolina	FWD	1998	107	146	10.12-12.22	■	
2.0 4WD (GF7W, GF2W) (4B11)		Gasolina	4WD	1998	107	146	10.12-12.22	■	
2.0 (GF7W) (4J11)		Gasolina	FWD	1998	110	150	08.12-12.22	■	
2.0 4WD (GF7W) (4J11)		Gasolina	4WD	1998	110	150	08.12-12.22	■	
2.0 (GF7W)		Gasolina	FWD	1998	118	160	03.13-12.18	■	
2.4 4WD (4B12)		Gasolina	4WD	2360	123	167	10.12-12.22	■	

LISTA DE APLICACIONES - BUYERS GUIDE

2.4 (GF8W) (4B12)	Gasolina	FWD	2360	124	169	08.12-12.22	■
2.4 (GF8W) (4J12)	Gasolina	FWD	2360	124	169	08.12-12.22	■
2.4 4WD (GF8W) (4B12)	Gasolina	4WD	2360	124	169	10.12-12.22	■
2.4 4WD (GF8W) (4J12)	Gasolina	4WD	2360	124	169	10.12-12.22	■
3.0 4WD (6B31)	Gasolina	4WD	2998	165	224	10.12-12.22	■
3.0 GT 4WD (6B31)	Gasolina	4WD	2998	167	227	08.12-12.22	■
3.0 4WD (6B31)	Gasolina	4WD	2998	169	230	03.14-12.22	■

PEUGEOT

4008 05.12-	SUV (Mini SUV-J Segment)						
1.6	Gasolina	FWD	1590	86	117	05.12-	■
2.0 (4B11)	Gasolina	FWD	1998	110	150	05.13-	■
2.0 AWC (4B11)	Gasolina	4WD	1998	110	150	05.12-	■
1.6 HDi (9HD (DV6C))	Diesel	FWD	1560	84	114	05.12-	■
1.6 HDi AWC (9HD (DV6C))	Diesel	4WD	1560	84	114	05.12-	■
1.8 HDi	Diesel	FWD	1798	110	150	05.12-	■
1.8 HDi AWC (6HZ (4N13))	Diesel	4WD	1798	110	150	05.12-	■