

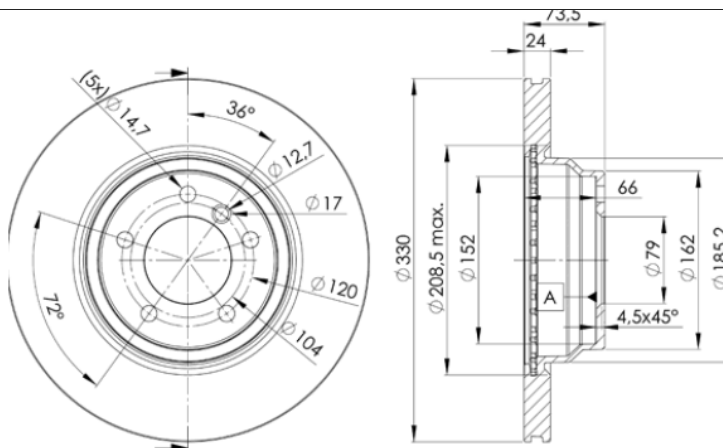
LISTA DE APLICACIONES - BUYERS GUIDE

78BD4645-2



Weight: 18.472

O.E.M.	MAKE
34 11 6 764 645	BMW
34 11 6 854 999	BMW



78BD4645-2



Ø330x24x73.5

MAKE
BMW



Trac.	CC	Kw	CV	Front / Rear
-------	----	----	----	--------------

BMW

1 Serie (E88) 12.07-12.13							Convertible (Compact car-C Segment)			
125 i (N52 B30 A)	not sport chassis	Gasolina	RWD	2996	160	218	12.07-10.13	■		
125 i (N52 B30 B)	not sport chassis	Gasolina	RWD	2996	160	218	12.07-10.13	■		
125 i (N52 B30 BF)	not sport chassis	Gasolina	RWD	2996	160	218	12.07-10.13	■		
123 d (N47 D20 B)	not sport chassis	Diesel	RWD	1995	150	204	09.08-12.13	■		
123 d (N47 D20 D)	not sport chassis	Diesel	RWD	1995	150	204	09.08-12.13	■		
1 Serie (E82) 10.06-10.13							Coupe (Compact car-C Segment)			
135 i (N54 B30 A)		Gasolina	RWD	2979	225	306	10.07-10.13	■		
135 i (N55 B30 A)		Gasolina	RWD	2979	225	306	10.07-10.13	■		
125 i (N52 B30 A)		Gasolina	RWD	2996	160	218	03.08-10.13	■		
125 i (N52 B30 B)		Gasolina	RWD	2996	160	218	03.08-10.13	■		
125 i (N52 B30 BF)		Gasolina	RWD	2996	160	218	03.08-10.13	■		
123 d (N47 D20 B)		Diesel	RWD	1995	150	204	10.07-09.13	■		
123 d (N47 D20 D)		Diesel	RWD	1995	150	204	10.07-09.13	■		
1 Serie (E81) 09.06-09.12							Hatchback (Compact car-C Segment)			
130 i (N52 B30 A)	not sport chassis	Gasolina	RWD	2996	190	258	09.06-12.11	■		
130 i (N52 B30 B)	not sport chassis	Gasolina	RWD	2996	190	258	09.06-12.11	■		
130 i (N52 B30 BF)	not sport chassis	Gasolina	RWD	2996	190	258	09.06-12.11	■		
130 i (N52 B30 A)		Gasolina	RWD	2996	195	265	09.06-12.11	■		
130 i (N52 B30 B)		Gasolina	RWD	2996	195	265	09.06-12.11	■		
130 i (N52 B30 BF)		Gasolina	RWD	2996	195	265	09.06-12.11	■		
123 d (N47 D20 B)		Diesel	RWD	1995	150	204	03.07-12.11	■		
123 d (N47 D20 D)		Diesel	RWD	1995	150	204	03.07-12.11	■		

LISTA DE APLICACIONES - BUYERS GUIDE

3 Serie V (E93) 05.06-12.13					Convertible (Compact executive car-D Segment)			
325i (N53 B30 A)		Gasolina	RWD	2996	155	211	10.06-12.13	■
325i (N53 B30 A)		Gasolina	RWD	2996	160	218	03.07-12.13	■
330i (N52 B30 A)	not sports package	Gasolina	RWD	2996	190	258	03.10-10.13	■
330i (N52 B30 AF)	not sports package	Gasolina	RWD	2996	190	258	03.10-10.13	■
330i (N53 B30 A)		Gasolina	RWD	2996	200	272	03.07-10.13	■
330i (N52 B30 A)		Gasolina	RWD	2996	200	272	03.07-02.10	■
325 d (M57 D30 (306D3))	07/07-, not sport chassis	Diesel	RWD	2993	145	197	03.07-12.10	■
325 d (N57 D30 A)		Diesel	RWD	2993	150	204	09.09-09.13	■
325 d (M57 D30 (306D3))		Diesel	RWD	2993	155	211	03.07-12.10	■
330 d (N57 D30 A)		Diesel	RWD	2993	180	245	01.09-09.13	■
3 Serie V (E92) 01.05-12.13					Coupe (Compact executive car-D Segment)			
325i (N52 B25 A)	not sport chassis	Gasolina	RWD	2497	160	218	06.06-02.10	■
325i (N52 B25 AF)	not sport chassis	Gasolina	RWD	2497	160	218	06.06-02.10	■
325i (N52 B25 BF)	not sport chassis	Gasolina	RWD	2497	160	218	06.06-02.10	■
325 xi (N52 B25 A)		Gasolina	4WD	2497	160	218	09.06-02.10	■
325 i xDrive (N53 B30 A)		Gasolina	4WD	2996	155	211	09.08-06.13	■
325 xi		Gasolina	4WD	2996	155	211	09.07-08.08	■
325i (N53 B30 A)	not sport chassis	Gasolina	RWD	2996	160	218	09.07-06.13	■
325 i xDrive (N53 B30 A)		Gasolina	4WD	2996	160	218	09.08-12.13	■
325 xi (N53 B30 A)		Gasolina	4WD	2996	160	218	09.07-08.08	■
3.0 328i		Gasolina	FWD	2996	187	254	08.06-11.07	■
330i (N52 B30 A)		Gasolina	RWD	2996	190	258	03.10-06.13	■
330 xi (N52 B30 A)		Gasolina	4WD	2996	190	258	09.06-08.07	■
330i (N52 B30 A)	03/07-	Gasolina	RWD	2996	200	272	09.06-02.10	■
330i (N52 B30 AF)	03/07-	Gasolina	RWD	2996	200	272	09.06-02.10	■
330i (N52 B30 BF)	03/07-	Gasolina	RWD	2996	200	272	09.06-02.10	■
330i (N53 B30 A)		Gasolina	RWD	2996	200	272	09.07-06.13	■
330 i xDrive (N53 B30 A)		Gasolina	4WD	2996	200	272	03.10-06.13	■
330 xi (N52 B30 A)		Gasolina	4WD	2996	200	272	09.06-08.07	■
330 xi (N53 B30 A)		Gasolina	4WD	2996	200	272	03.07-02.10	■
325 d (M57 D30 (306D3))		Diesel	RWD	2993	145	197	02.07-02.10	■
325 d (N57 D30 A)	not government vehic	Diesel	RWD	2993	150	204	09.09-06.13	■
325 d (M57 D30 (306D3))		Diesel	RWD	2993	155	211	02.07-02.10	■
3 Serie V (E90) 02.04-12.13					Saloon (Compact executive car-D Segment)			
325i (N52 B25 A)	government vehicles	Gasolina	RWD	2497	160	218	12.04-12.11	■
325i (N52 B25 B)	government vehicles	Gasolina	RWD	2497	160	218	12.04-12.11	■
325i (N52 B25 BF)	government vehicles	Gasolina	RWD	2497	160	218	12.04-12.11	■
325 xi (N52 B25 A)	government vehicles	Gasolina	4WD	2497	160	218	09.05-08.08	■
325 i xDrive (N53 B30 A)		Gasolina	4WD	2996	155	211	09.08-10.11	■
325i (N53 B30 A)	government vehicles	Gasolina	RWD	2996	160	218	03.07-12.11	■
325 i xDrive (N53 B30 A)	government vehicles	Gasolina	4WD	2996	160	218	09.08-10.11	■
325 xi (N53 B30 A)	government vehicles	Gasolina	4WD	2996	160	218	09.07-08.08	■
330i (N52 B30 A)		Gasolina	RWD	2996	190	258	12.04-10.11	■
330i (N52 B30 BF)		Gasolina	RWD	2996	190	258	12.04-10.11	■
330 xi (N52 B30 A)		Gasolina	4WD	2996	190	258	09.05-08.07	■
330i (N53 B30 A)	not government vehic	Gasolina	RWD	2996	200	272	09.07-10.11	■
330i (N52 B30 A)		Gasolina	RWD	2996	200	272	03.07-12.11	■
330i (N52 B30 BF)		Gasolina	RWD	2996	200	272	03.07-12.11	■
330 i xDrive (N53 B30 A)	not government vehic	Gasolina	4WD	2996	200	272	09.08-10.11	■

LISTA DE APLICACIONES - BUYERS GUIDE

330 xi (N53 B30 A)	not government vehic	Gasolina	4WD	2996	200	272	09.07-08.08	■	
320 d (M47 D20 (204D4))	government vehicles	Diesel	RWD	1995	110	150	12.04-09.07	■	
320 d	government vehicles	Diesel	RWD	1995	115	156	12.04-09.07	■	
320 d (M47 D20 (204D4))	government vehicles	Diesel	RWD	1995	120	163	12.04-10.11	■	
320 d (N47 D20 A)	government vehicles	Diesel	RWD	1995	120	163	12.04-10.11	■	
320 d (N47 D20 C)	government vehicles	Diesel	RWD	1995	120	163	12.04-10.11	■	
320 d xDrive (N47 D20 C)	government vehicles	Diesel	4WD	1995	120	163	09.08-10.11	■	
320 d (N47 D20 A)	government vehicles	Diesel	RWD	1995	130	177	09.07-02.10	■	
320 d (N47 D20 C)	government vehicles	Diesel	RWD	1995	130	177	09.07-02.10	■	
320 d xDrive (N47 D20 A)	government vehicles	Diesel	4WD	1995	130	177	09.08-02.10	■	
320 d xDrive (N47 D20 C)	government vehicles	Diesel	4WD	1995	130	177	09.08-02.10	■	
320 xd	government vehicles	Diesel	4WD	1995	130	177	09.07-12.11	■	
320 d (N47 D20 C)	government vehicles	Diesel	RWD	1995	135	184	03.10-10.11	■	
320 d xDrive (N47 D20 C)	government vehicles	Diesel	4WD	1995	135	184	03.10-10.11	■	
325 d (M57 D30 (306D3))		Diesel	RWD	2993	145	197	09.06-02.10	■	
325 d (N57 D30 A)		Diesel	RWD	2993	150	204	03.10-10.11	■	
330 d (M57 D30 (306D3))		Diesel	RWD	2993	155	211	09.05-12.11	■	
330 d (N57 D30 A)		Diesel	RWD	2993	155	211	09.05-12.11	■	
330 d (M57 D30 (306D3))		Diesel	RWD	2993	170	231	09.05-09.08	■	
330 xd (M57 D30 (306D3))		Diesel	4WD	2993	170	231	09.05-08.08	■	
330 d (N57 D30 A)		Diesel	RWD	2993	180	245	09.08-10.11	■	
330 d xDrive (N57 D30 A)		Diesel	4WD	2993	180	245	09.08-10.11	■	
3 Serie V Touring (E91) 12.04-12.12					Estate (Compact executive car-D Segment)				
325i (N52 B25 A)	government vehicles	Gasolina	RWD	2497	160	218	12.04-08.08	■	
325 xi (N52 B25 A)		Gasolina	4WD	2497	160	218	08.05-08.08	■	
325i (N53 B30 A)		Gasolina	RWD	2996	155	211	09.07-06.12	■	
325 i xDrive (N53 B30 A)		Gasolina	4WD	2996	155	211	09.08-06.12	■	
325 xi (N53 B30 A)		Gasolina	4WD	2996	155	211	09.07-08.08	■	
325i (N53 B30 A)	government vehicles	Gasolina	RWD	2996	160	218	09.07-06.12	■	
325 i xDrive (N53 B30 A)		Gasolina	4WD	2996	160	218	09.08-06.12	■	
325 xi (N53 B30 A)		Gasolina	4WD	2996	160	218	09.07-08.08	■	
330i (N52 B30 A)		Gasolina	RWD	2996	190	258	08.05-08.07	■	
330 xi (N52 B30 A)		Gasolina	4WD	2996	190	258	09.05-08.07	■	
330i		Gasolina	RWD	2996	200	272	03.07-06.12	■	
320 d (M47 D20 (204D4))	government vehicles	Diesel	RWD	1995	110	150	12.04-08.07	■	
320 d (M47 D20 (204D4))	government vehicles	Diesel	RWD	1995	120	163	06.05-06.12	■	
320 d (N47 D20 A)	government vehicles	Diesel	RWD	1995	120	163	06.05-06.12	■	
320 d (N47 D20 C)	government vehicles	Diesel	RWD	1995	120	163	06.05-06.12	■	
320 d xDrive (N47 D20 C)	government vehicles	Diesel	4WD	1995	120	163	07.09-06.12	■	
320 d (N47 D20 A)	government vehicles	Diesel	RWD	1995	130	177	02.07-12.10	■	
320 d (N47 D20 C)	government vehicles	Diesel	RWD	1995	130	177	02.07-12.10	■	
320 d xDrive (N47 D20 C)	government vehicles	Diesel	4WD	1995	130	177	09.08-02.10	■	
320 xd	government vehicles	Diesel	RWD	1995	130	177	02.08-02.10	■	
320 d (N47 D20 C)	government vehicles	Diesel	RWD	1995	135	184	03.10-05.12	■	
320 d xDrive (N47 D20 C)	government vehicles	Diesel	4WD	1995	135	184	03.10-06.12	■	
320 d (N47 D20 A)		Diesel	RWD	1995	145	197	02.07-02.10	■	
320 d (N47 D20 C)		Diesel	RWD	1995	145	197	02.07-02.10	■	
320 d xDrive (N47 D20 C)		Diesel	4WD	1995	145	197	02.08-02.10	■	
320 d xDrive (N47 D20 C)		Diesel	4WD	1995	147	200	03.10-05.12	■	
325 d (M57 D30 (306D3))		Diesel	RWD	2993	145	197	09.06-06.12	■	
325 d (N57 D30 A)		Diesel	RWD	2993	150	204	02.10-06.12	■	

LISTA DE APLICACIONES - BUYERS GUIDE

330 d (M57 D30 (306D3))		Diesel	RWD	2993	155	211	06.05-05.12	■	
330 d (N57 D30 A)		Diesel	RWD	2993	155	211	06.05-05.12	■	
330 d (M57 D30 (306D3))		Diesel	RWD	2993	170	231	12.04-08.08	■	
330 xd (M57 D30 (306D3))		Diesel	4WD	2993	170	231	09.05-06.12	■	
330 d (N57 D30 A)		Diesel	RWD	2993	180	245	02.08-05.12	■	
330 d xDrive (N57 D30 A)		Diesel	4WD	2993	180	245	01.09-06.12	■	
X1 (E84) 03.09-06.15					SUV (Compact SUV-J Segment)				
xDrive28i (N20 B20 A)		Gasolina	4WD	1997	180	245	03.11-06.15	■	
xDrive 25 i (N52 B30 A)		Gasolina	4WD	2996	160	218	03.10-08.11	■	
xDrive28i (N52 B30 A)		Gasolina	4WD	2996	190	258	09.09-08.11	■	
xDrive 28 i Flex (N20 B20 A)		Gasol./Etanol	4WD	1997	180	245	04.11-06.15	■	
xDrive 23 d (N47 D20 D)		Diesel	4WD	1995	150	204	10.09-06.15	■	