

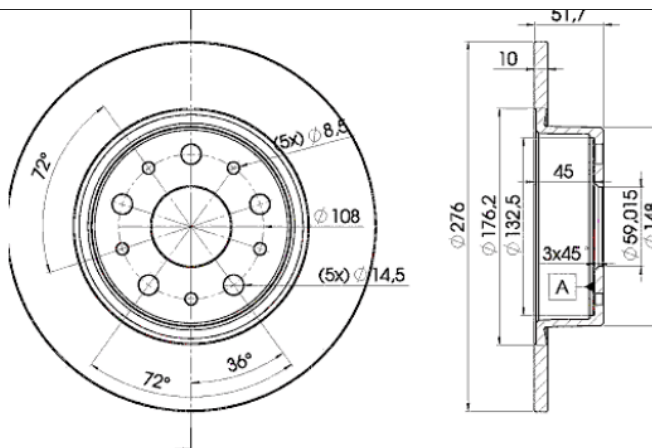
# LISTA DE APLICACIONES - BUYERS GUIDE

## 78BD4646-2



Weight: 8.940

O.E.M.	MAKE
6 081 464 6	ALFA ROMEO
7 173 957 0	LANCIA
8 248 824 0	LANCIA



## 78BD4646-2

**E1 90R-02C0100/0716**



Ø276x10x52

MAKE
ALFA ROMEO
GAC
LANCIA



Trac.	CC	Kw	CV
-------	----	----	----



Front / Rear

### ALFA ROMEO

#### 166 (936\_) 09.98-06.07

#### Saloon (Executive car-E Segment)

Engine/Model	Trac.	CC	Kw	CV	Period	Application
2.0 T.Spark (936A3B00) (AR 36301)	FWD	1970	110	150	10.00-06.07	■
2.0 T.Spark (936A3A__) (AR 34103)	FWD	1970	114	155	09.98-10.00	■
2.0 V6 (936A3__) (AR 34102)	FWD	1996	151	205	09.98-10.00	■
2.5 V6 24V (936A21__) (AR 36201)	FWD	2492	138	188	10.00-06.07	■
2.5 V6 24V (936A2__) (AR 34201)	FWD	2492	140	190	09.98-12.06	■
3.0 V6 24V (936A11__) (AR 36101)	FWD	2959	162	220	10.00-06.07	■
3.0 V6 24V (936A1000, 936A1001) (AR 34301)	FWD	2959	166	226	09.98-06.07	■
3.0 V6 24V (936A1000, 936A1001) (AR 34302)	FWD	2959	166	226	09.98-06.07	■
3.2 V6 24V (936AXB00, 936AXA00) (936 A.000)	FWD	3179	176	240	10.03-06.07	■
2.4 JTD (936A2A__) (AR 34202)	FWD	2387	100	136	09.98-10.00	■
2.4 JTD (936A2B__) (839 A6.000)	FWD	2387	103	140	10.00-06.07	■
2.4 JTD (936AXA00, 936A3B00) (841 C000)	FWD	2387	110	150	04.02-06.07	■
2.4 JTD (936AXD01, 936AXC00) (841 M.000)	FWD	2387	120	163	10.03-06.07	■
2.4 JTD (936AXD01, 936AXC00) (841 N.000)	FWD	2387	120	163	10.03-06.07	■
2.4 JTD (936AXC00, 936AXG00) (841 G.000)	FWD	2387	129	175	10.03-06.07	■
2.4 JTD (936AXC00, 936AXG00) (841 H.000)	FWD	2387	129	175	10.03-06.07	■
2.4 JTD (936AXC00) (841 M.000)	FWD	2387	132	180	07.06-06.07	■
2.4 JTD (936AXC00, 936AXG00) (841 M.000)	FWD	2387	136	185	07.05-06.07	■
2.4 JTD (936AXC00, 936AXG00) (936 B.000)	FWD	2387	136	185	07.05-06.07	■

### GAC

#### TRUMPCHI GS5 03.12-

#### SUV (Compact SUV-J Segment)

1.8 T AWD (4B18M1)	Gasolina	4WD	1751	130	177	03.12-	■
--------------------	----------	-----	------	-----	-----	--------	---

# LISTA DE APLICACIONES - BUYERS GUIDE

2.0 (4B20K2)		Gasolina	FWD	1969	108	147	03.12-		■
<b>LANCIA</b>									
<b>KAPPA (838_) 07.96-03.01</b>					<b>Coupe (Executive car-E Segment)</b>				
2.0 16V Turbo (838CB) (838 A4.000)		Gasolina	FWD	1995	151	205	11.96-03.01		■
2.0 20V		Gasolina	FWD	1998	114	155	07.96-03.01		■
2.0 20V Turbo (838CM) (175 A3.000)		Gasolina	FWD	1998	162	220	06.98-03.01		■
2.4 20V (838CC) (838 A2.000)		Gasolina	FWD	2446	129	175	11.96-03.01		■
3.0 24V (838CD, 838CD11A) (838 B.000)		Gasolina	FWD	2959	150	204	09.96-03.01		■
<b>KAPPA (838_) 08.94-10.01</b>					<b>Saloon (Executive car-E Segment)</b>				
2.0 16V Turbo (838AB1AA) (838 A4.000)		Gasolina	FWD	1995	151	205	02.95-10.01		■
2.0 20V (838AA1AA) (838 A1.000)		Gasolina	FWD	1998	107	146	10.94-10.01		■
2.0 20V (838AG1AA, 838AG11A) (838 A6.000)		Gasolina	FWD	1998	114	155	07.96-10.01		■
2.0 20V Turbo (838AM1AA) (175 A3.000)		Gasolina	FWD	1998	162	220	06.98-10.01		■
2.4 20V (838AC1AA, 838AC11A) (838 A2.000)		Gasolina	FWD	2446	129	175	08.94-10.01		■
2.4 20V (838AC1AA, 838AC11A) (838 A2.027)		Gasolina	FWD	2446	129	175	08.94-10.01		■
3.0 24V (838AD1AA, 838AD11A, 838XD1AA, 838ZD1AA) (838 B.000)		Gasolina	FWD	2959	150	204	10.94-10.01		■
2.4 T.DS (838AE1AA, 838AH1AA) (838 A3.000)		Diesel	FWD	2387	91	124	08.94-10.01		■
2.4 T.DS (838AE1AA, 838AH1AA) (838 A7.000)		Diesel	FWD	2387	91	124	08.94-10.01		■
2.4 JTD (838AL1AA) (838 A8.000)		Diesel	FWD	2387	100	136	06.98-10.01		■
<b>KAPPA SW (838_) 07.96-10.01</b>					<b>Estate (Executive car-E Segment)</b>				
2.0 16V Turbo (838BB1AA) (838 A4.000)		Gasolina	FWD	1995	151	205	07.96-10.01		■
2.0 20V (838BG1AA) (838 A6.000)		Gasolina	FWD	1998	114	155	07.96-10.01		■
2.0 20V Turbo (838BM1AA) (175 A3.000)		Gasolina	FWD	1998	162	220	06.98-10.01		■
2.4 20V (838BC1AA, 838BC11A) (838 A2.000)		Gasolina	FWD	2446	129	175	07.96-10.01		■
3.0 24V (838BD11A) (838 B.000)		Gasolina	FWD	2959	150	204	07.96-10.01		■
2.4 T.DS (838BH1AA) (838 A3.000)		Diesel	FWD	2387	91	124	07.96-10.01		■
2.4 T.DS (838BH1AA) (838 A7.000)		Diesel	FWD	2387	91	124	07.96-10.01		■
2.4 JTD (838BL1AA) (838 A8.000)		Diesel	FWD	2387	100	136	06.98-10.01		■