

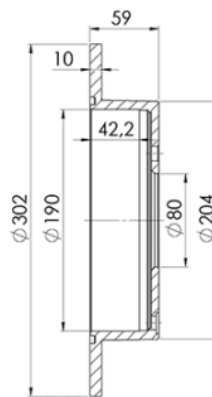
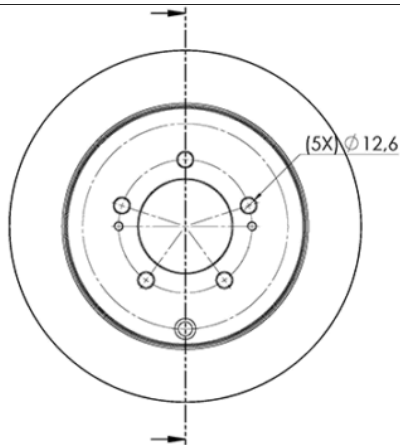
LISTA DE APLICACIONES - BUYERS GUIDE

78BD4650-2



Weight: 11.312

O.E.M.	MAKE
16 06 292 80	PEUGEOT
16 092 481 80	PEUGEOT
16 115 004 80	PEUGEOT
16 116 678 80	PEUGEOT
4249.61	PEUGEOT
4249.62	PEUGEOT
4249.F4	PEUGEOT
46 15A 035	MITSUBISHI
46 15A 192	MITSUBISHI



78BD4650-2

E1 90R-02C0453/0099



Ø302x10x59

MAKE
CITROËN
MITSUBISHI
PEUGEOT



Trac.	CC	Kw	CV
-------	----	----	----



Front / Rear

CITROËN

C4 AIRCROSS 08.10-						SUV (Mini SUV-J Segment)		
2.0	Gasolina	FWD	1998	110	150	04.12-	■	
2.0 AWC	Gasolina	4WD	1998	110	150	04.12-	■	
C-CROSSER (VU_) 02.07-12.12						SUV Van (Compact SUV-J Segment)		
2.2 HDi (VU4HNNH)	Diesel	4WD	2179	115	156	06.07-12.12	■	
C-CROSSER (VU_, VV_) 02.07-						SUV (Compact SUV-J Segment)		
2.4 16V (SFZ (4B12 MMC))	Gasolina	4WD	2360	125	170	08.08-12.12	■	
2.2 HDi (4HK (DW12ME5))	Diesel	4WD	2179	115	156	02.07-12.12	■	
2.2 HDi (4HN (DW12MTED4))	Diesel	4WD	2179	115	156	02.07-12.12	■	
C-CROSSER ENTERPRISE (VU_, VV_) 01.09-						SUV Van (Compact SUV-J Segment)		
2.4 16V (4B12)	-01/13	Gasolina	4WD	2360	125	170	01.09-	■
2.2 HDi (4HN (DW12MTED4))	-01/13	Diesel	4WD	2179	115	156	01.09-	■

MITSUBISHI

LANCER V EX / GALANT FORTIS / LANCER SERIE R / LANCER FORTIS (CY_A, CZ_A) 03.07-						Saloon (Compact car-C Segment)		
2.0 i (CY4A) (4B11)	Gasolina	FWD	1998	113	154	04.07-	■	
2.0 i Ralliart 4WD (CY4A) (4B11-T/C)	Gasolina	4WD	1998	177	241	10.08-	■	
LANCER V EX Sportback / GALANT FORTIS Sportback (CX_A) 10.07-						Hatchback (Compact car-C Segment)		
2.0 i	Gasolina	FWD	1998	113	154	10.07-	■	
2.0 Ralliart 4WD (CX4A) (4B11-T/C)	Gasolina	4WD	1998	177	241	10.08-	■	
2.0 Ralliart	Gasolina	FWD	1998	184	250	08.11-	■	

LISTA DE APLICACIONES - BUYERS GUIDE

OUTLANDER II (CW_W) 11.06-12.12					SUV Van (Compact SUV-J Segment)			
Di-D 4WD (CW8W)	01/07-	Diesel	4WD	1968	103	140	12.06-06.10	■
Di-D 4WD (CW1W)		Diesel	4WD	2268	130	177	09.10-12.12	■
OUTLANDER II (CW_W) 09.05-12.12					SUV (Compact SUV-J Segment)			
2.0 (CW4W) (4B11)		Gasolina	FWD	1998	108	147	11.06-11.12	■
2.0 4WD (4B11)		Gasolina	4WD	1998	108	147	11.06-11.12	■
2.0		Gasolina	FWD	1998	118	160	06.09-11.12	■
2.4 (CW5W) (4B12)		Gasolina	FWD	2360	125	170	11.06-11.12	■
2.4 4WD (CW5W) (4B12)		Gasolina	4WD	2360	125	170	09.07-11.12	■
3.0		Gasolina	FWD	2998	162	220	11.06-11.12	■
3.0 4WD (CW6W) (6B31)		Gasolina	4WD	2998	162	220	11.06-11.12	■
3.0 AWD (6B31)		Gasolina	4WD	2998	164	223	11.06-12.13	■
3.0 4WD (CW6W) (6B31)		Gasolina	4WD	2998	169	230	09.10-12.12	■
3.0 AWD		Gasolina	4WD	2998	172	234	09.09-11.12	■
3.0		Gasolina	FWD	2998	177	241	10.09-11.12	■
2.4 Flex 4WD (4B12)		Gasol./Etanol	4WD	2360	125	170	09.07-11.12	■
2.0 DI-D (CW8W) (BSY)		Diesel	4WD	1968	103	140	02.07-11.12	■
2.2 DI-D 4WD (4HK)		Diesel	4WD	2179	115	156	08.07-11.12	■
2.2 DI-D 4WD (4HN)		Diesel	4WD	2179	115	156	08.07-11.12	■
2.2 DI-D 4WD (4N14)		Diesel	4WD	2268	103	140	09.10-11.12	■
2.2 DI-D (4N14)		Diesel	FWD	2268	130	177	11.06-11.12	■
2.2 DI-D 4WD (4N14)		Diesel	4WD	2268	130	177	11.06-11.12	■
OUTLANDER II (CW_W) 12.06-11.12					Van (Compact SUV-J Segment)			
2.0 DI-D	01/07-	Diesel	RWD	1968	103	140	12.06-11.12	■
2.2 DI-D		Diesel	RWD	2268	130	177	09.10-11.12	■
OUTLANDER III / PHEV III (GG_W, GF_W, ZJ, ZL, ZK) 11.10-					SUV (Compact SUV-J Segment)			
3.0 GT 4WD (6B31)		Gasolina	4WD	2998	167	227	08.12-12.22	■
PEUGEOT								
4007 (VU_, VV_) 02.07-03.13					SUV Van (Compact SUV-J Segment)			
HDi 155 (VU4HNN, VV4HK8)	-11/12	Diesel	4WD	2179	115	156	02.07-03.13	■
4007 (VU_, VV_) 02.07-					SUV (Compact SUV-J Segment)			
2.4 16V (SFY (4B12-MMC))	-11/12	Gasolina	4WD	2360	125	170	02.07-03.13	■
2.4 16V (SFZ (4B12-MMC))	-11/12	Gasolina	4WD	2360	125	170	02.07-03.13	■
2.2 HDi (4HK (DW12ME5))	-11/12	Diesel	4WD	2179	115	156	02.07-03.13	■
2.2 HDi (4HN (DW12MTED4))	-11/12	Diesel	4WD	2179	115	156	02.07-03.13	■