

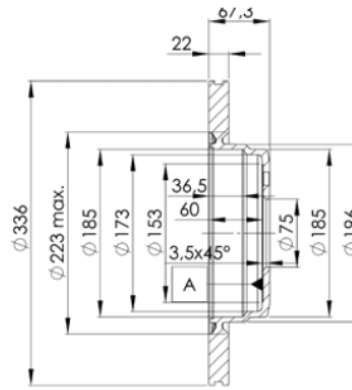
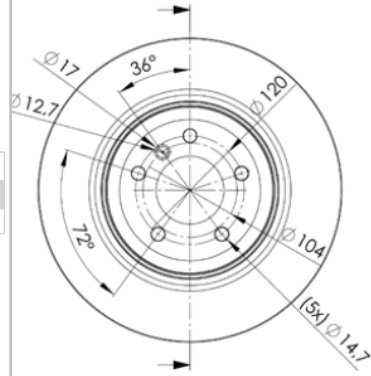
# LISTA DE APLICACIONES - BUYERS GUIDE

## 78BD4655-2



Weight: 17.260

O.E.M.	MAKE
34 21 6 764 655	BMW
34 21 6 855 004	BMW



## 78BD4655-2

**(E1) 90R-02C0438/1589**



Ø336x22x67.3

**MAKE**  
BMW



Trac.	CC	Kw	CV
-------	----	----	----



### BMW

3 Serie V (E93) 05.06-12.13					Convertible (Compact executive car-D Segment)			
335 i (N54 B30 A)		Gasolina	RWD	2979	225	306	12.06-10.13	■
335 i (N55 B30 A)		Gasolina	RWD	2979	225	306	12.06-10.13	■
335 i (N54 B30 A)		Gasolina	RWD	2979	240	326	05.06-10.13	■
335 i (N55 B30 A)		Gasolina	RWD	2979	240	326	05.06-10.13	■
330i (N52 B30 A)	not sports package	Gasolina	RWD	2996	190	258	03.10-10.13	■
330i (N52 B30 AF)	not sports package	Gasolina	RWD	2996	190	258	03.10-10.13	■
330i (N53 B30 A)		Gasolina	RWD	2996	200	272	03.07-10.13	■
330i (N52 B30 A)		Gasolina	RWD	2996	200	272	03.07-02.10	■
325 d (M57 D30 (306D3))	07/07-, not sport chassis	Diesel	RWD	2993	145	197	03.07-12.10	■
325 d (N57 D30 A)		Diesel	RWD	2993	150	204	09.09-09.13	■
325 d (M57 D30 (306D3))		Diesel	RWD	2993	155	211	03.07-12.10	■
330 d (M57 D30 (306D3))		Diesel	RWD	2993	170	231	03.07-12.13	■
330 d (N57 D30 A)		Diesel	RWD	2993	180	245	01.09-09.13	■
3 Serie V (E92) 01.05-12.13					Coupe (Compact executive car-D Segment)			
335 i		Gasolina	RWD	2979	224	305	03.07-06.13	■
335 i xDrive (N54 B30 A)		Gasolina	4WD	2979	224	305	01.09-06.13	■
335 i (N54 B30 A)		Gasolina	RWD	2979	225	306	06.06-06.13	■
335 i (N55 B30 A)		Gasolina	RWD	2979	225	306	06.06-06.13	■
335 i xDrive (N54 B30 A)		Gasolina	4WD	2979	225	306	11.08-12.13	■
335 i xDrive (N55 B30 A)		Gasolina	4WD	2979	225	306	11.08-12.13	■
335 xi (N54 B30 A)	06/07-	Gasolina	4WD	2979	225	306	03.07-02.10	■
335 xi (N55 B30 A)	06/07-	Gasolina	4WD	2979	225	306	03.07-02.10	■

# LISTA DE APLICACIONES - BUYERS GUIDE

335 i (N54 B30 A)		Gasolina	RWD	2979	240	326	06.06-06.13	■
335 i (N55 B30 A)		Gasolina	RWD	2979	240	326	06.06-06.13	■
335 i xDrive (N55 B30 A)		Gasolina	4WD	2979	240	326	11.08-06.13	■
335 xi (N54 B30 A)		Gasolina	4WD	2979	240	326	03.07-02.10	■
3.0 328i		Gasolina	FWD	2996	187	254	08.06-11.07	■
330i (N52 B30 A)		Gasolina	RWD	2996	190	258	03.10-06.13	■
330 xi (N52 B30 A)		Gasolina	4WD	2996	190	258	09.06-08.07	■
330i (N52 B30 A)	03/07-	Gasolina	RWD	2996	200	272	09.06-02.10	■
330i (N52 B30 AF)	03/07-	Gasolina	RWD	2996	200	272	09.06-02.10	■
330i (N52 B30 BF)	03/07-	Gasolina	RWD	2996	200	272	09.06-02.10	■
330i (N53 B30 A)		Gasolina	RWD	2996	200	272	09.07-06.13	■
330 i xDrive (N53 B30 A)		Gasolina	4WD	2996	200	272	03.10-06.13	■
330 xi (N52 B30 A)		Gasolina	4WD	2996	200	272	09.06-08.07	■
330 xi (N53 B30 A)		Gasolina	4WD	2996	200	272	03.07-02.10	■
320 d xDrive (N47 D20 C)		Diesel	4WD	1995	130	177	09.08-02.10	■
320 d xDrive (N47 D20 C)		Diesel	4WD	1995	135	184	03.10-06.13	■
325 d (M57 D30 (306D3))		Diesel	RWD	2993	145	197	02.07-02.10	■
325 d (N57 D30 A)		Diesel	RWD	2993	150	204	09.09-06.13	■
325 d (M57 D30 (306D3))		Diesel	RWD	2993	155	211	02.07-02.10	■
330 d (M57 D30 (306D3))		Diesel	RWD	2993	170	231	03.06-08.08	■
330 xd (M57 D30 (306D3))		Diesel	4WD	2993	170	231	03.06-08.08	■
330 d (N57 D30 A)		Diesel	RWD	2993	180	245	01.09-06.13	■
330 d xDrive (N57 D30 A)		Diesel	4WD	2993	180	245	02.10-06.13	■
330 xd (N57 D30 A)		Diesel	4WD	2993	180	245	03.08-02.10	■
335 d (M57 D30 (306D5))		Diesel	RWD	2993	210	286	03.06-03.13	■
<b>3 Serie V (E90) 02.04-12.13</b>							<b>Saloon (Compact executive car-D Segment)</b>	
325i (N52 B25 A)	government vehicles	Gasolina	RWD	2497	160	218	12.04-12.11	■
325i (N52 B25 B)	government vehicles	Gasolina	RWD	2497	160	218	12.04-12.11	■
325i (N52 B25 BF)	government vehicles	Gasolina	RWD	2497	160	218	12.04-12.11	■
325 xi (N52 B25 A)	government vehicles	Gasolina	4WD	2497	160	218	09.05-08.08	■
335 i (N54 B30 A)		Gasolina	RWD	2979	220	299	03.06-12.11	■
335 i (N55 B30 A)		Gasolina	RWD	2979	220	299	03.06-12.11	■
335 i (N54 B30 A)		Gasolina	RWD	2979	224	305	03.06-12.11	■
335 i xDrive		Gasolina	4WD	2979	224	305	05.08-10.11	■
335 i (N54 B30 A)		Gasolina	RWD	2979	225	306	09.06-12.11	■
335 i (N55 B30 A)		Gasolina	RWD	2979	225	306	09.06-12.11	■
335 i xDrive (N54 B30 A)		Gasolina	4WD	2979	225	306	09.08-10.11	■
335 i xDrive (N55 B30 A)		Gasolina	4WD	2979	225	306	09.08-10.11	■
335 xi (N54 B30 A)		Gasolina	4WD	2979	225	306	03.07-08.08	■
335 i (N54 B30 A)		Gasolina	RWD	2979	240	326	03.06-12.11	■
335 i (N55 B30 A)		Gasolina	RWD	2979	240	326	03.06-12.11	■
335 i xDrive (N54 B30 A)		Gasolina	4WD	2979	240	326	05.08-10.11	■
335 i xDrive (N55 B30 A)		Gasolina	4WD	2979	240	326	05.08-10.11	■
335 xi (N54 B30 A)		Gasolina	4WD	2979	240	326	09.06-06.08	■
325 i xDrive (N53 B30 A)		Gasolina	4WD	2996	155	211	09.08-10.11	■
325i (N53 B30 A)	government vehicles	Gasolina	RWD	2996	160	218	03.07-12.11	■
325 i xDrive (N53 B30 A)	government vehicles	Gasolina	4WD	2996	160	218	09.08-10.11	■
325 xi (N53 B30 A)	government vehicles	Gasolina	4WD	2996	160	218	09.07-08.08	■
330i (N52 B30 A)		Gasolina	RWD	2996	190	258	12.04-10.11	■
330i (N52 B30 BF)		Gasolina	RWD	2996	190	258	12.04-10.11	■
330 xi (N52 B30 A)		Gasolina	4WD	2996	190	258	09.05-08.07	■

# LISTA DE APLICACIONES - BUYERS GUIDE

330i (N53 B30 A)		Gasolina	RWD	2996	200	272	09.07-10.11	■
330i (N52 B30 A)		Gasolina	RWD	2996	200	272	03.07-12.11	■
330i (N52 B30 BF)		Gasolina	RWD	2996	200	272	03.07-12.11	■
330 i xDrive (N53 B30 A)		Gasolina	4WD	2996	200	272	09.08-10.11	■
330 xi (N53 B30 A)		Gasolina	4WD	2996	200	272	09.07-08.08	■
320 d		Diesel	RWD	1995	115	156	12.04-09.07	■
320 d xDrive (N47 D20 C)	government vehicles	Diesel	4WD	1995	120	163	09.08-10.11	■
325 d (M57 D30 (306D3))		Diesel	RWD	2993	145	197	09.06-02.10	■
325 d (N57 D30 A)		Diesel	RWD	2993	150	204	03.10-10.11	■
330 d (M57 D30 (306D3))		Diesel	RWD	2993	155	211	09.05-12.11	■
330 d (N57 D30 A)		Diesel	RWD	2993	155	211	09.05-12.11	■
330 d (M57 D30 (306D3))		Diesel	RWD	2993	170	231	09.05-09.08	■
330 xd (M57 D30 (306D3))		Diesel	4WD	2993	170	231	09.05-08.08	■
330 d (N57 D30 A)		Diesel	RWD	2993	180	245	09.08-10.11	■
330 d xDrive (N57 D30 A)		Diesel	4WD	2993	180	245	09.08-10.11	■
335 d (M57 D30 (306D5))		Diesel	RWD	2993	210	286	09.06-12.11	■
<b>3 Serie V Touring (E91) 12.04-12.12</b>						<b>Estate (Compact executive car-D Segment)</b>		
325i (N52 B25 A)	government vehicles	Gasolina	RWD	2497	160	218	12.04-08.08	■
325 xi (N52 B25 A)		Gasolina	4WD	2497	160	218	08.05-08.08	■
335 i (N54 B30 A)		Gasolina	RWD	2979	225	306	09.06-06.12	■
335 i (N55 B30 A)		Gasolina	RWD	2979	225	306	09.06-06.12	■
335 i xDrive (N54 B30 A)		Gasolina	4WD	2979	225	306	09.08-06.12	■
335 i xDrive (N55 B30 A)		Gasolina	4WD	2979	225	306	09.08-06.12	■
335 xi (N54 B30 A)		Gasolina	4WD	2979	225	306	03.07-08.08	■
335 xi (N55 B30 A)		Gasolina	4WD	2979	225	306	03.07-08.08	■
335 i (N54 B30 A)		Gasolina	RWD	2979	240	326	09.06-06.12	■
335 i (N55 B30 A)		Gasolina	RWD	2979	240	326	09.06-06.12	■
335 i xDrive (N54 B30 A)		Gasolina	4WD	2979	240	326	09.08-06.12	■
335 i xDrive (N55 B30 A)		Gasolina	4WD	2979	240	326	09.08-06.12	■
335 xi (N54 B30 A)		Gasolina	4WD	2979	240	326	03.07-08.08	■
325i (N53 B30 A)	government vehicles	Gasolina	RWD	2996	155	211	09.07-06.12	■
325 i xDrive (N53 B30 A)		Gasolina	4WD	2996	155	211	09.08-06.12	■
325 xi (N53 B30 A)		Gasolina	4WD	2996	155	211	09.07-08.08	■
325i (N53 B30 A)	government vehicles	Gasolina	RWD	2996	160	218	09.07-06.12	■
325 i xDrive (N53 B30 A)		Gasolina	4WD	2996	160	218	09.08-06.12	■
325 xi (N53 B30 A)		Gasolina	4WD	2996	160	218	09.07-08.08	■
330i (N52 B30 A)		Gasolina	RWD	2996	190	258	08.05-08.07	■
330 xi (N52 B30 A)		Gasolina	4WD	2996	190	258	09.05-08.07	■
330i (N53 B30 A)		Gasolina	RWD	2996	200	272	09.07-06.12	■
330i		Gasolina	RWD	2996	200	272	03.07-06.12	■
330 i xDrive (N53 B30 A)		Gasolina	4WD	2996	200	272	09.07-06.12	■
330 xi (N53 B30 A)		Gasolina	4WD	2996	200	272	09.07-06.12	■
320 d (M47 D20 (204D4))	government vehicles	Diesel	RWD	1995	110	150	12.04-08.07	■
320 d (M47 D20 (204D4))	government vehicles	Diesel	RWD	1995	120	163	06.05-06.12	■
320 d (N47 D20 A)	government vehicles	Diesel	RWD	1995	120	163	06.05-06.12	■
320 d (N47 D20 C)	government vehicles	Diesel	RWD	1995	120	163	06.05-06.12	■
320 d xDrive (N47 D20 C)	government vehicles	Diesel	4WD	1995	120	163	07.09-06.12	■
320 d (N47 D20 A)	government vehicles	Diesel	RWD	1995	130	177	02.07-12.10	■
320 d (N47 D20 C)	government vehicles	Diesel	RWD	1995	130	177	02.07-12.10	■
320 d xDrive (N47 D20 C)	government vehicles	Diesel	4WD	1995	130	177	09.08-02.10	■
320 xd	government vehicles	Diesel	RWD	1995	130	177	02.08-02.10	■

# LISTA DE APLICACIONES - BUYERS GUIDE

320 d (N47 D20 C)	government vehicles	Diesel	RWD	1995	135	184	03.10-05.12	■	
320 d xDrive (N47 D20 C)	government vehicles	Diesel	4WD	1995	135	184	03.10-06.12	■	
320 d (N47 D20 A)		Diesel	RWD	1995	145	197	02.07-02.10	■	
320 d (N47 D20 C)		Diesel	RWD	1995	145	197	02.07-02.10	■	
320 d xDrive (N47 D20 C)		Diesel	4WD	1995	145	197	02.08-02.10	■	
320 d xDrive (N47 D20 C)		Diesel	4WD	1995	147	200	03.10-05.12	■	
325 d (M57 D30 (306D3))		Diesel	RWD	2993	145	197	09.06-06.12	■	
325 d (N57 D30 A)		Diesel	RWD	2993	150	204	02.10-06.12	■	
330 d (M57 D30 (306D3))		Diesel	RWD	2993	155	211	06.05-05.12	■	
330 d (N57 D30 A)		Diesel	RWD	2993	155	211	06.05-05.12	■	
330 d (M57 D30 (306D3))		Diesel	RWD	2993	170	231	12.04-08.08	■	
330 xd (M57 D30 (306D3))		Diesel	4WD	2993	170	231	09.05-06.12	■	
330 d (N57 D30 A)		Diesel	RWD	2993	180	245	02.08-05.12	■	
330 d xDrive (N57 D30 A)		Diesel	4WD	2993	180	245	01.09-06.12	■	
335 d (M57 D30 (306D5))		Diesel	RWD	2993	210	286	09.06-06.12	■	
<b>X1 (E84) 03.09-06.15</b>					<b>SUV (Compact SUV-J Segment)</b>				
xDrive 35 i (N55 B30 A)		Gasolina	4WD	2979	225	306	03.11-06.15	■	
xDrive28i (N52 B30 A)		Gasolina	4WD	2996	190	258	09.09-08.11	■	
xDrive28i (N52 B30 A)		Gasolina	4WD	2996	194	264	03.10-06.11	■	