

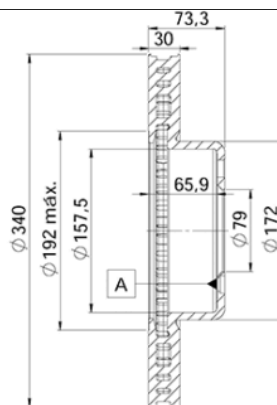
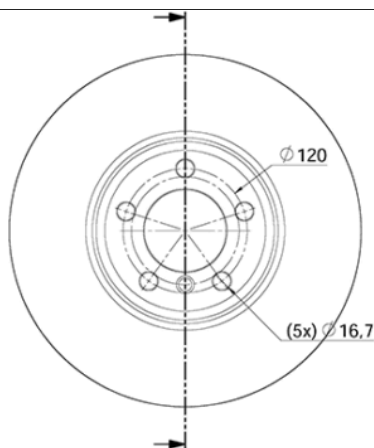
LISTA DE APLICACIONES - BUYERS GUIDE

78BD4669-2



Weight: 22.052

O.E.M.	MAKE
34 11 6 792 223	BMW
6792223	BMW



78BD4669-2



Ø340x30x73.3

MAKE
BMW
BMW (BRILLIANCE)



Trac.	CC	Kw	CV
-------	----	----	----



Front / Rear

BMW

1 Serie (E87) 02.03-12.13						Hatchback (Compact car-C Segment)			
M 135 i	reinforced brakes	Gasolina	FWD	2979	235	320	11.12-12.12		■
1 Serie II (F20) 07.11-06.19						Hatchback (Compact car-C Segment)			
116 i (B38 B15 A)	M technique, not Performance brak	Gasolina	RWD	1499	80	109	03.15-06.19		■
116 i (B38 B15 A)	M technique, not Performance brak	Gasolina	RWD	1499	80	109	03.15-06.19		■
118 i (B38 B15 A)	M technique, not Performance brak	Gasolina	RWD	1499	100	136	07.15-06.19		■
118 i (B38 B15 A)	M technique, not Performance brak	Gasolina	RWD	1499	100	136	03.15-06.19		■
114 i (N13 B16 A)	M technique, not Performance brak	Gasolina	RWD	1598	75	102	07.12-02.15		■
114 i (N13 B16 A)	M technique, not Performance brak	Gasolina	RWD	1598	75	102	07.12-01.15		■
116 i (N13 B16 A)	M technique, not Performance brak	Gasolina	RWD	1598	100	136	07.11-02.15		■
116 i (N13 B16 A)	M technique, not Performance brak	Gasolina	RWD	1598	100	136	12.11-02.15		■
118 i (N13 B16 A)	M technique, not Performance brak	Gasolina	RWD	1598	100	136	03.15-06.15		■
118 i (N13 B16 A)	M technique, not Performance brak	Gasolina	RWD	1598	100	136	03.15-06.19		■
118 i (N13 B16 A)	M technique, not Performance brak	Gasolina	RWD	1598	125	170	07.11-02.15		■
118 i (N13 B16 A)	M technique, not Performance brak	Gasolina	RWD	1598	125	170	07.12-06.19		■
120 i (N13 B16 A)	M technique, not Performance brak	Gasolina	RWD	1598	130	177	03.15-06.16		■
120 i (N13 B16 A)	M technique, not Performance brak	Gasolina	RWD	1598	130	177	03.15-06.19		■

LISTA DE APLICACIONES - BUYERS GUIDE

120 i Active Flex	M technique, not Performance brak	Gasolina	FWD	1997	135	184	03.15-	■
125 i (N20 B20 A)	M technique, not Performance brak	Gasolina	RWD	1997	160	218	03.12-11.17	■
125 i (N20 B20 A)	M technique, not Performance brak	Gasolina	RWD	1997	160	218	12.11-12.19	■
125 i (N20 B20 A)	M technique, not Performance brak	Gasolina	RWD	1997	175	238	03.13-06.19	■
120 i (B48 B20 A)	M technique, not Performance brak	Gasolina	RWD	1998	135	184	07.16-06.19	■
120 i (B48 B20 A)	M technique, not Performance brak	Gasolina	RWD	1998	135	184	07.16-06.19	■
125 i (B48 B20 B)	M technique, not Performance brak	Gasolina	RWD	1998	165	224	07.16-06.19	■
125 i (B48 B20 B)	M technique, not Performance brak	Gasolina	RWD	1998	165	224	10.15-06.19	■
M 135 i (N55 B30 A)	M technique, not Performance brak	Gasolina	RWD	2979	235	320	07.12-02.15	■
M 135 i (N55 B30 A)		Gasolina	RWD	2979	235	320	12.11-06.16	■
M 135 i xDrive (N55 B30 A)	M technique, not Performance brak	Gasolina	4WD	2979	235	320	11.12-02.15	■
M 135 i xDrive (N55 B30 A)	not Performance brak	Gasolina	4WD	2979	235	320	02.12-06.16	■
M 135 i (N55 B30 A)	M technique, not Performance brak	Gasolina	RWD	2979	240	326	03.15-06.16	■
M 135 i (N55 B30 A)	not Performance brak	Gasolina	RWD	2979	240	326	03.15-06.16	■
M 135 i xDrive (N55 B30 A)	M technique, not Performance brak	Gasolina	4WD	2979	240	326	03.15-06.16	■
M 135 i xDrive (N55 B30 A)	not Performance brak	Gasolina	4WD	2979	240	326	03.15-06.16	■
M 140 i (B58 B30 A)	not Performance brak	Gasolina	RWD	2998	250	340	07.16-06.19	■
M 140 i (B58 B30 A)	not Performance brak	Gasolina	RWD	2998	250	340	10.15-06.19	■
M 140 i xDrive (B58 B30 A)	not Performance brak	Gasolina	4WD	2998	250	340	07.16-06.19	■
M 140 i xDrive (B58 B30 A)	not Performance brak	Gasolina	4WD	2998	250	340	09.15-06.19	■
125 i Active Flex (N20 B20 A)		Gasol./Etanol	RWD	1997	160	218	11.14-11.17	■
125 i Active Flex	M technique, not Performance brak	Gasol./Etanol	RWD	1997	160	218	08.14-	■
114 D (B37 D15 A)	M technique, not Performance brak	Diesel	RWD	1496	70	95	07.15-06.19	■
114 D (B37 D15 A)	M technique, not Performance brak	Diesel	RWD	1496	70	95	06.15-05.19	■
116 d (B37 D15 A)	M technique, not Performance brak	Diesel	RWD	1496	85	116	03.15-06.19	■
116 d (B37 D15 A)	M technique, not Performance brak	Diesel	RWD	1496	85	116	03.15-05.19	■
114 D (N47 D16 A)	M technique, not Performance brak	Diesel	RWD	1598	70	95	11.12-06.15	■
114 D (N47 D16 A)	M technique, not Performance brak	Diesel	RWD	1598	70	95	07.12-05.19	■
116 d (N47 D16 A)	M technique, not Performance brak	Diesel	RWD	1598	85	116	03.12-02.15	■
116 d (N47 D16 A)	M technique, not Performance brak	Diesel	RWD	1598	85	116	12.11-02.15	■
116 d (N47 D20 C)	M technique, not Performance brak	Diesel	RWD	1995	85	116	07.11-02.15	■
116 d (N47 D20 C)	M technique, not Performance brak	Diesel	RWD	1995	85	116	07.12-02.15	■
118 d (B47 D20 A)	M technique, not Performance brak	Diesel	RWD	1995	100	136	07.11-06.19	■
118 d (N47 D20 C)	M technique, not Performance brak	Diesel	RWD	1995	100	136	07.11-06.19	■
118 d (N47 D20 C)	M technique, not Performance brak	Diesel	RWD	1995	100	136	12.11-06.19	■
118 d (N47 D20 C)	M technique, not Performance brak	Diesel	RWD	1995	105	143	07.11-02.15	■
118 d (N47 D20 C)	M technique, not Performance brak	Diesel	RWD	1995	105	143	12.11-02.15	■
118 d xDrive (N47 D20 C)	M technique, not Performance brak	Diesel	4WD	1995	105	143	07.13-02.15	■

LISTA DE APLICACIONES - BUYERS GUIDE

118 d xDrive (N47 D20 C)	M technique, not Performance brak	Diesel	4WD	1995	105	143	05.13-02.15	■	
118 d (B47 D20 A)	M technique, not Performance brak	Diesel	RWD	1995	110	150	03.15-06.19	■	
118 d (B47 D20 A)	M technique, not Performance brak	Diesel	RWD	1995	110	150	03.15-06.19	■	
118 d xDrive (B47 D20 A)	M technique, not Performance brak	Diesel	4WD	1995	110	150	03.15-06.19	■	
118 d xDrive (B47 D20 A)	M technique, not Performance brak	Diesel	4WD	1995	110	150	03.15-05.19	■	
120 d (B47 D20 A)	M technique, not Performance brak	Diesel	RWD	1995	120	163	07.11-06.19	■	
120 d (N47 D20 C)	M technique, not Performance brak	Diesel	RWD	1995	120	163	07.11-06.19	■	
120 d (N47 D20 C)	M technique, not Performance brak	Diesel	RWD	1995	120	163	07.12-06.19	■	
120 d (N47 D20 C)	M technique, not Performance brak	Diesel	RWD	1995	135	184	07.11-02.15	■	
120 d (N47 D20 C)	M technique, not Performance brak	Diesel	RWD	1995	135	184	07.12-02.15	■	
120 d xDrive (N47 D20 C)	M technique, not Performance brak	Diesel	4WD	1995	135	184	11.12-02.15	■	
120 d xDrive (N47 D20 C)	M technique, not Performance brak	Diesel	4WD	1995	135	184	02.12-02.15	■	
120 d (B47 D20 A)	M technique, not Performance brak	Diesel	RWD	1995	140	190	03.15-06.19	■	
120 d (B47 D20 A)	M technique, not Performance brak	Diesel	RWD	1995	140	190	03.15-06.19	■	
120 d xDrive (B47 D20 A)	M technique, not Performance brak	Diesel	4WD	1995	140	190	03.15-06.19	■	
120 d xDrive (B47 D20 A)	M technique, not Performance brak	Diesel	4WD	1995	140	190	03.15-06.19	■	
120 d (N47 D20 C)	M technique, not Performance brak	Diesel	RWD	1995	147	200	07.11-02.15	■	
120 d (N47 D20 C)	M technique, not Performance brak	Diesel	RWD	1995	147	200	01.12-02.15	■	
120 d xDrive (N47 D20 C)	M technique, not Performance brak	Diesel	4WD	1995	147	200	11.12-02.15	■	
120 d xDrive (N47 D20 C)	M technique, not Performance brak	Diesel	4WD	1995	147	200	01.12-02.15	■	
125 d (B47 D20 B)	M technique, not Performance brak	Diesel	RWD	1995	155	211	03.12-06.19	■	
125 d (N47 D20 D)	M technique, not Performance brak	Diesel	RWD	1995	155	211	03.12-06.19	■	
125 d (N47 D20 D)	M technique, not Performance brak	Diesel	RWD	1995	155	211	12.11-05.19	■	
125 d (N47 D20 D)	M technique, not Performance brak	Diesel	RWD	1995	160	218	03.12-02.15	■	
125 d (N47 D20 D)	M technique, not Performance brak	Diesel	RWD	1995	160	218	12.11-02.15	■	
125 d (B47 D20 B)	M technique, not Performance brak	Diesel	RWD	1995	165	224	03.15-06.19	■	
125 d (B47 D20 B)	M technique, not Performance brak	Diesel	RWD	1995	165	224	03.15-05.19	■	
1 Serie II Van (F20) 03.15-06.19						Hatchback Van (Compact car-C Segment)			
118 i (B38 B15 A)	M technique, not Performance brak	Gasolina	RWD	1499	100	136	07.15-06.19	■	
120 i (B48 B20 A)	M technique, not Performance brak	Gasolina	RWD	1998	135	184	07.16-06.19	■	
M 140 i (B58 B30 A)	not Performance brak	Gasolina	RWD	2998	250	340	07.16-06.19	■	
118 d (B47 D20 A)	M technique, not Performance brak	Diesel	RWD	1995	110	150	03.15-06.19	■	
120 d (B47 D20 A)	M technique, not Performance brak	Diesel	RWD	1995	140	190	03.15-06.19	■	
2 Active Tourer Van (F45) 11.13-						Box Body/MPV (Compact car-C Segment)			
218d (B47 C20 A)	M technique, not Performance brak	Diesel	FWD	1995	110	150	07.14-10.21	■	

LISTA DE APLICACIONES - BUYERS GUIDE

218d (B47 C20 B)	M technique, not Performance brak	Diesel	FWD	1995	110	150	07.14-10.21	■	
220 d (B47 C20 A)	sports package, not Performance brak	Diesel	FWD	1995	140	190	11.14-10.21	■	
220 d (B47 C20 B)	sports package, not Performance brak	Diesel	FWD	1995	140	190	11.14-10.21	■	
2 Gran Coupe (F44) 11.19-					Coupe (Compact car-C Segment)				
M 235 i xDrive (B48 A20 E)	not Performance brak	Gasolina	4WD	1998	225	306	11.19-	■	
220 d (B47 C20 B)	sports package, not Performance brak	Diesel	FWD	1995	140	190	11.19-	■	
2 Gran Tourer Van (F46) 07.14-					Box Body/MPV (Compact car-C Segment)				
218d (B47 C20 A)	M technique, not Performance brak	Diesel	FWD	1995	110	150	07.14-	■	
218d (B47 C20 B)	M technique, not Performance brak	Diesel	FWD	1995	110	150	07.14-	■	
220 d (B47 C20 A)	sports package, not Performance brak	Diesel	FWD	1995	140	190	07.14-	■	
220 d (B47 C20 B)	sports package, not Performance brak	Diesel	FWD	1995	140	190	07.14-	■	
2 Serie (F23) 03.14-					Convertible (Compact car-C Segment)				
218i (B38 B15 A)	not sports package	Gasolina	RWD	1499	100	136	03.15-06.21	■	
220 i (N20 B20 A)	M technique, not Performance brak	Gasolina	RWD	1997	135	184	04.14-06.21	■	
220 i (N20 B20 B)	M technique, not Performance brak	Gasolina	RWD	1997	135	184	04.14-06.21	■	
228 i (N20 B20 A)	M technique, not Performance brak	Gasolina	RWD	1997	180	245	11.14-06.16	■	
228 i	M technique, not Performance brak	Gasolina	FWD	1997	180	245	09.15-	■	
220 i (B48 B20 A)	M technique, not Performance brak	Gasolina	RWD	1998	135	184	09.15-06.21	■	
230 i (B46 B20 B)	M technique, not Performance brak	Gasolina	RWD	1998	185	252	07.16-06.21	■	
230 i (B48 B20 B)	M technique, not Performance brak	Gasolina	RWD	1998	185	252	07.16-06.21	■	
M 235 i (N55 B30 A)	not sports package	Gasolina	RWD	2979	240	326	11.14-06.16	■	
M 235 i xDrive (N55 B30 A)	not Performance brak	Gasolina	4WD	2979	240	326	07.15-06.16	■	
M240 i (B58 B30 A)	not Performance brak	Gasolina	RWD	2998	250	340	09.15-06.21	■	
M240 i xDrive (B58 B30 A)	not Performance brak	Gasolina	4WD	2998	250	340	09.15-06.21	■	
218d (B47 D20 A)	M technique, not Performance brak	Diesel	RWD	1995	100	136	07.15-09.20	■	
218d (B47 D20 A)	M technique, not Performance brak	Diesel	RWD	1995	110	150	07.15-09.20	■	
220 d (B47 D20 A)	M technique, not Performance brak	Diesel	RWD	1995	120	163	03.14-09.20	■	
220 d (B47 D20 A)	M technique, not Performance brak	Diesel	RWD	1995	140	190	03.14-09.20	■	
220 d		Diesel	RWD	1995	151	205	03.14-09.20	■	
225 d (B47 D20 B)	M technique, not Performance brak	Diesel	RWD	1995	165	224	07.15-05.19	■	
2 Serie (F22, F87) 10.12-					Coupe (Compact car-C Segment)				
218i (B38 B15 A)	sports package	Gasolina	RWD	1499	100	136	03.15-06.21	■	
220 i (N20 B20 A)	sports package, not Performance brak	Gasolina	RWD	1997	135	184	10.13-06.21	■	
220 i (N20 B20 B)	sports package, not Performance brak	Gasolina	RWD	1997	135	184	10.13-06.21	■	
228 i (N20 B20 A)	M technique	Gasolina	RWD	1997	180	245	07.14-06.16	■	
228 i (N26 B20 A)	M technique	Gasolina	RWD	1997	180	245	07.14-06.16	■	
220 i (B48 B20 A)	sports package, not Performance brak	Gasolina	RWD	1998	135	184	09.15-06.21	■	
225 i		Gasolina	RWD	1998	135	184	10.17-06.21	■	
230 i (B46 B20 B)	M technique, not Performance brak	Gasolina	RWD	1998	185	252	07.16-06.21	■	

LISTA DE APLICACIONES - BUYERS GUIDE

230 i (B48 B20 B)	M technique, not Performance brak	Gasolina	RWD	1998	185	252	07.16-06.21	■
M 235 i		Gasolina	FWD	2979	235	320	03.14-	■
M 235 i (N55 B30 A)	not Performance brak	Gasolina	RWD	2979	240	326	10.13-06.16	■
M 235 i xDrive (N55 B30 A)		Gasolina	4WD	2979	240	326	07.14-06.16	■
M240 i (B58 B30 A)	not Performance brak	Gasolina	RWD	2998	250	340	09.15-06.21	■
M240 i xDrive (B58 B30 A)	not Performance brak	Gasolina	4WD	2998	250	340	09.15-06.21	■
218d (B47 D20 A)	M technique	Diesel	RWD	1995	100	136	03.14-09.20	■
218d (N47 D20 C)	M technique	Diesel	RWD	1995	100	136	03.14-09.20	■
218d (N47 D20 C)	M technique, not Performance brak	Diesel	RWD	1995	105	143	03.14-06.15	■
218d (B47 D20 A)	M technique, not Performance brak	Diesel	RWD	1995	110	150	07.15-09.20	■
220 d (B47 D20 A)	sports package, not Performance brak	Diesel	RWD	1995	120	163	11.14-09.20	■
220 d (N47 D20 C)	sports package, not Performance brak	Diesel	RWD	1995	120	163	11.14-09.20	■
220 d xDrive (B47 D20 A)	sports package, not Performance brak	Diesel	4WD	1995	120	163	03.15-09.20	■
220 d (N47 D20 C)	sports package, not Performance brak	Diesel	RWD	1995	135	184	10.13-06.17	■
220 d (B47 D20 A)	sports package, not Performance brak	Diesel	RWD	1995	140	190	03.14-09.20	■
220 d xDrive (B47 D20 A)	sports package	Diesel	4WD	1995	140	190	06.14-09.20	■
220 d (N47 D20 C)	sports package, not Performance brak	Diesel	RWD	1995	147	200	10.12-11.14	■
220 d		Diesel	RWD	1995	151	205	03.14-09.20	■
220 d xDrive		Diesel	4WD	1995	151	205	06.14-09.20	■
225 d (N47 D20 D)	sports package, not Performance brak	Diesel	RWD	1995	160	218	01.14-06.17	■
225 d (B47 D20 B)	sports package, not Performance brak	Diesel	RWD	1995	165	224	07.15-05.19	■
3 Serie VI (F30, F80) 11.11-10.18						Saloon (Compact executive car-D Segment)		
318i (B38 B15 A)	M technique, not Performance brak	Gasolina	RWD	1499	100	136	07.15-10.18	■
316 i (N13 B16 A)	M technique, not Performance brak	Gasolina	RWD	1598	100	136	07.12-08.16	■
320i (N13 B16 A)	M technique, not Performance brak	Gasolina	RWD	1598	125	170	11.12-06.16	■
320i		Gasolina	RWD	1997	134	182	03.12-10.18	■
320 i Active Flex	M technique, not Performance brak	Gasolina	FWD	1997	135	184	02.12-	■
320 i xDrive (N20 B20 A)	M technique	Gasolina	4WD	1997	135	184	07.12-10.18	■
320 i xDrive (N20 B20 B)	M technique	Gasolina	4WD	1997	135	184	07.12-10.18	■
320i (B48 B20 A)	M technique, not Performance brak	Gasolina	RWD	1998	135	184	07.15-10.18	■
320 i xDrive (B48 B20 A)	M technique, not Performance brak	Gasolina	4WD	1998	135	184	07.15-10.18	■
335 i (N55 B30 A)	M technique, not Performance brak	Gasolina	RWD	2979	225	306	11.11-07.15	■
335 i xDrive (N55 B30 A)	not M technique, not Performance brak	Gasolina	4WD	2979	225	306	07.12-07.15	■
335 i (N55 B30 A)	M technique, not Performance brak	Gasolina	RWD	2979	240	326	11.11-06.13	■
335 i xDrive (N55 B30 A)	not M technique, not Performance brak	Gasolina	4WD	2979	240	326	07.12-06.13	■
335 i (N55 B30 A)	not M technique, not Performance brak	Gasolina	RWD	2979	250	340	07.13-07.15	■
335 i xDrive (N55 B30 A)	not M technique, not Performance brak	Gasolina	4WD	2979	250	340	07.12-07.15	■
340 i (B58 B30 A)	not M technique, not Performance brak	Gasolina	RWD	2998	240	326	07.15-10.18	■
340 i xDrive (B58 B30 A)	not M technique, not Performance brak	Gasolina	4WD	2998	240	326	07.15-10.18	■

LISTA DE APLICACIONES - BUYERS GUIDE

340 i (B58 B30 A)	not M technique, not Performance brak	Gasolina	RWD	2998	265	360	07.15-10.18	■	
340 i xDrive (B58 B30 A)	not M technique, not Performance brak	Gasolina	4WD	2998	265	360	07.15-10.18	■	
330 e (B48 B20 A)	M technique, not Performance brak	Gasol./el éc.	RWD	1998	135	184	11.15-10.18	■	
330 e (B48 B20 A)	M technique, not Performance brak	Gasol./el éc.	RWD	1998	185	252	11.15-10.18	■	
ActiveHybrid (N55 B30 A)	not M technique, not Performance brak	Gasol./el éc.	RWD	2979	225	306	07.12-06.15	■	
ActiveHybrid (N55 B30 A)	not M technique, not Performance brak	Gasol./el éc.	RWD	2979	250	340	07.12-06.15	■	
316 d (B47 D20 A)	M technique, not Performance brak	Diesel	RWD	1995	85	116	03.12-10.18	■	
316 d (N47 D20 C)	M technique, not Performance brak	Diesel	RWD	1995	85	116	03.12-10.18	■	
318 d (B47 D20 A)	M technique, not Performance brak	Diesel	RWD	1995	100	136	03.12-10.18	■	
318 d (N47 D20 C)	M technique, not Performance brak	Diesel	RWD	1995	100	136	03.12-10.18	■	
318 d (N47 D20 C)	M technique, not Performance brak	Diesel	RWD	1995	105	143	03.12-06.15	■	
318 d xDrive (N47 D20 C)	M technique, not Performance brak	Diesel	4WD	1995	105	143	07.13-06.15	■	
318 d (B47 D20 A)	M technique, not Performance brak	Diesel	RWD	1995	110	150	07.15-10.18	■	
318 d xDrive (B47 D20 A)	M technique, not Performance brak	Diesel	4WD	1995	110	150	07.15-02.18	■	
320 d (B47 D20 A)	M technique, not Performance brak	Diesel	RWD	1995	120	163	11.11-10.18	■	
320 d (N47 D20 C)	M technique, not Performance brak	Diesel	RWD	1995	120	163	11.11-10.18	■	
320 d xDrive (B47 D20 A)	M technique, not Performance brak	Diesel	4WD	1995	120	163	08.12-10.18	■	
320 d xDrive (N47 D20 C)	M technique, not Performance brak	Diesel	4WD	1995	120	163	08.12-10.18	■	
320 d (N47 D20 C)	M technique, not Performance brak	Diesel	RWD	1995	135	184	11.11-03.16	■	
320 d xDrive (N47 D20 C)	M technique, not Performance brak	Diesel	4WD	1995	135	184	08.12-06.15	■	
320 d (B47 D20 A)	M technique, not Performance brak	Diesel	RWD	1995	140	190	07.15-10.18	■	
320 d xDrive (B47 D20 A)	M technique, not Performance brak	Diesel	4WD	1995	140	190	07.15-10.18	■	
320 d (N47 D20 C)	M technique, not Performance brak	Diesel	RWD	1995	147	200	11.11-03.16	■	
320 d xDrive (N47 D20 C)	M technique, not Performance brak	Diesel	4WD	1995	147	200	08.12-06.15	■	
335 d xDrive (N57 D30 B)	M technique	Diesel	4WD	2993	230	313	07.13-10.18	■	
3 Serie VI GRAN TURISMO (F34) 07.12-						Hatchback (Compact executive car-D Segment)			
320i (N20 B20 A)	M technique	Gasolina	RWD	1997	120	163	03.13-06.16	■	
320i (N20 B20 B)	M technique	Gasolina	RWD	1997	120	163	03.13-06.16	■	
320 i xDrive (N20 B20 A)	M technique, not Performance brak	Gasolina	4WD	1997	120	163	07.13-06.16	■	
320 i xDrive (N20 B20 B)	M technique, not Performance brak	Gasolina	4WD	1997	120	163	07.13-06.16	■	
320i (N20 B20 A)	M technique, not Performance brak	Gasolina	RWD	1997	135	184	03.13-06.16	■	
320i (N20 B20 B)	M technique, not Performance brak	Gasolina	RWD	1997	135	184	03.13-06.16	■	
320 i xDrive (N20 B20 A)	M technique, not Performance brak	Gasolina	4WD	1997	135	184	11.12-06.16	■	
320 i xDrive (N20 B20 B)	M technique, not Performance brak	Gasolina	4WD	1997	135	184	11.12-06.16	■	
320i (B48 B20 A)	M technique, not Performance brak	Gasolina	RWD	1998	135	184	07.16-	■	
320 i xDrive (B48 B20 A)	M technique, not Performance brak	Gasolina	4WD	1998	135	184	07.16-	■	

LISTA DE APLICACIONES - BUYERS GUIDE

335 i (N55 B30 A)	M technique, not Performance brak	Gasolina	RWD	2979	225	306	03.13-06.16	■	
335 i xDrive (N55 B30 A)	not M technique	Gasolina	4WD	2979	225	306	07.13-06.16	■	
335 i (N55 B30 A)	not M technique, not Performance brak	Gasolina	RWD	2979	240	326	03.13-03.14	■	
335 i xDrive (N55 B30 A)	not M technique, not Performance brak	Gasolina	4WD	2979	240	326	03.13-03.14	■	
335 i (N55 B30 A)	not M technique, not Performance brak	Gasolina	RWD	2979	250	340	04.14-06.16	■	
335 i xDrive (N55 B30 A)	not M technique, not Performance brak	Gasolina	4WD	2979	250	340	04.14-06.16	■	
340 i (B58 B30 A)		Gasolina	RWD	2998	240	326	07.16-	■	
340 i xDrive (B58 B30 A)		Gasolina	4WD	2998	240	326	07.16-	■	
340 i (B58 B30 A)		Gasolina	RWD	2998	265	360	07.16-	■	
340 i xDrive (B58 B30 A)		Gasolina	4WD	2998	265	360	07.16-	■	
318 d (B47 D20 A)	M technique, not Performance brak	Diesel	RWD	1995	100	136	03.13-03.18	■	
318 d (N47 D20 C)	M technique, not Performance brak	Diesel	RWD	1995	100	136	03.13-03.18	■	
318 d (N47 D20 C)	M technique, not Performance brak	Diesel	RWD	1995	105	143	03.13-06.15	■	
318 d (B47 D20 A)	M technique, not Performance brak	Diesel	RWD	1995	110	150	07.15-	■	
320 d (B47 D20 A)	M technique, not Performance brak	Diesel	RWD	1995	120	163	03.13-03.18	■	
320 d (N47 D20 C)	M technique, not Performance brak	Diesel	RWD	1995	120	163	03.13-03.18	■	
320 d xDrive (B47 D20 A)	M technique, not Performance brak	Diesel	4WD	1995	120	163	07.13-03.18	■	
320 d xDrive (N47 D20 C)	M technique, not Performance brak	Diesel	4WD	1995	120	163	07.13-03.18	■	
320 d (N47 D20 C)	M technique, not Performance brak	Diesel	RWD	1995	135	184	03.13-06.15	■	
320 d xDrive (N47 D20 C)	M technique, not Performance brak	Diesel	4WD	1995	135	184	07.13-06.15	■	
320 d (B47 D20 A)	M technique, not Performance brak	Diesel	RWD	1995	140	190	07.15-	■	
320 d xDrive (B47 D20 A)	M technique, not Performance brak	Diesel	4WD	1995	140	190	07.15-	■	
320 d (N47 D20 C)	M technique, not Performance brak	Diesel	RWD	1995	147	200	03.13-06.15	■	
320 d xDrive (N47 D20 C)	M technique, not Performance brak	Diesel	4WD	1995	147	200	07.13-06.15	■	
3 Serie VI Touring (F31) 07.12-06.19						Estate (Compact executive car-D Segment)			
318i (B38 B15 A)	M technique, not Performance brak	Gasolina	RWD	1499	100	136	07.15-06.19	■	
316 i (N13 B16 A)	M technique, not Performance brak	Gasolina	RWD	1598	100	136	03.13-06.15	■	
320i (N20 B20 B)	M technique, not Performance brak	Gasolina	RWD	1997	135	184	11.12-06.15	■	
320 i xDrive (N20 B20 B)	M technique, not Performance brak	Gasolina	4WD	1997	135	184	03.13-06.15	■	
320i (B48 B20 A)	M technique, not Performance brak	Gasolina	RWD	1998	135	184	07.15-06.19	■	
320 i xDrive (B48 B20 A)	M technique, not Performance brak	Gasolina	4WD	1998	135	184	07.15-06.19	■	
335 i (N55 B30 A)	not M technique, not Performance brak	Gasolina	RWD	2979	225	306	03.13-06.15	■	
335 i xDrive (N55 B30 A)	not M technique, not Performance brak	Gasolina	4WD	2979	225	306	03.13-06.15	■	
335 i (N55 B30 A)	not M technique, not Performance brak	Gasolina	RWD	2979	240	326	03.13-06.13	■	
335 i xDrive (N55 B30 A)	not M technique, not Performance brak	Gasolina	4WD	2979	240	326	03.13-06.13	■	
335 i (N55 B30 A)	not M technique, not Performance brak	Gasolina	RWD	2979	250	340	07.13-06.15	■	
335 i xDrive (N55 B30 A)	not M technique, not Performance brak	Gasolina	4WD	2979	250	340	07.13-06.15	■	

LISTA DE APLICACIONES - BUYERS GUIDE

340 i (B58 B30 A)	not M technique, not Performance brak	Gasolina	RWD	2998	240	326	07.15-06.19	■	
340 i xDrive (B58 B30 A)	not M technique, not Performance brak	Gasolina	4WD	2998	240	326	07.15-06.19	■	
340 i (B58 B30 A)	not M technique, not Performance brak	Gasolina	RWD	2998	265	360	07.15-06.19	■	
340 i xDrive (B58 B30 A)	not M technique, not Performance brak	Gasolina	4WD	2998	265	360	07.15-06.19	■	
316 d (B47 D20 A)	M technique, not Performance brak	Diesel	RWD	1995	85	116	11.12-06.19	■	
316 d (N47 D20 C)	M technique, not Performance brak	Diesel	RWD	1995	85	116	11.12-06.19	■	
318 d (B47 D20 A)	M technique, not Performance brak	Diesel	RWD	1995	100	136	11.12-06.19	■	
318 d (N47 D20 C)	M technique, not Performance brak	Diesel	RWD	1995	100	136	11.12-06.19	■	
318 d (N47 D20 C)	M technique, not Performance brak	Diesel	RWD	1995	105	143	11.12-06.15	■	
318 d xDrive (N47 D20 C)	M technique, not Performance brak	Diesel	4WD	1995	105	143	07.13-06.15	■	
318 d (B47 D20 A)	M technique, not Performance brak	Diesel	RWD	1995	110	150	07.15-06.19	■	
318 d xDrive (B47 D20 A)	M technique, not Performance brak	Diesel	4WD	1995	110	150	07.15-02.18	■	
320 d (B47 D20 A)	M technique, not Performance brak	Diesel	RWD	1995	120	163	07.12-06.19	■	
320 d (N47 D20 C)	M technique, not Performance brak	Diesel	RWD	1995	120	163	07.12-06.19	■	
320 d xDrive (B47 D20 A)	M technique, not Performance brak	Diesel	4WD	1995	120	163	03.13-06.19	■	
320 d xDrive (N47 D20 C)	M technique, not Performance brak	Diesel	4WD	1995	120	163	03.13-06.19	■	
320 d xDrive (N47 D20 C)	M technique, not Performance brak	Diesel	4WD	1995	135	184	03.13-06.15	■	
320 d (B47 D20 A)	M technique, not Performance brak	Diesel	RWD	1995	140	190	07.15-06.19	■	
320 d xDrive (B47 D20 A)	M technique, not Performance brak	Diesel	4WD	1995	140	190	07.15-06.19	■	
320 d (N47 D20 C)	M technique, not Performance brak	Diesel	RWD	1995	147	200	07.12-02.16	■	
320 d xDrive (N47 D20 C)	M technique, not Performance brak	Diesel	4WD	1995	147	200	03.13-06.15	■	
325 d (N47 D20 D)	M technique, not Performance brak	Diesel	RWD	1995	155	211	03.13-02.16	■	
325 d (N47 D20 D)	M technique, not Performance brak	Diesel	RWD	1995	160	218	03.13-02.16	■	
335 d xDrive (N57 D30 B)	not M technique, not Performance brak	Diesel	4WD	2993	230	313	11.13-06.19	■	
4 Serie (F33, F83) 10.13-					Convertible (Compact executive car-D Segment)				
420 i (N20 B20 B)	M technique, not Performance brak	Gasolina	RWD	1997	120	163	07.14-02.16	■	
420 i (N20 B20 B)	M technique	Gasolina	RWD	1997	135	184	07.14-02.16	■	
420 i (B48 B20 A)	M technique, not Performance brak	Gasolina	RWD	1998	135	184	03.16-07.20	■	
425 i		Gasolina	RWD	1998	135	184	06.17-07.20	■	
435 i (N55 B30 A)	not M technique, not Performance brak	Gasolina	RWD	2979	225	306	11.13-02.16	■	
435 i (N55 B30 A)	not M technique, not Performance brak	Gasolina	RWD	2979	250	340	11.13-02.16	■	
435 i xDrive (N55 B30 A)	not M technique, not Performance brak	Gasolina	4WD	2979	250	340	07.14-02.16	■	
440 i (B58 B30 A)	not M technique, not Performance brak	Gasolina	RWD	2998	240	326	03.16-07.20	■	
440 i xDrive (B58 B30 A)	not M technique, not Performance brak	Gasolina	4WD	2998	240	326	03.16-07.20	■	
440 i (B58 B30 A)	not M technique, not Performance brak	Gasolina	RWD	2998	265	360	03.16-07.20	■	
440 i xDrive (B58 B30 A)	not M technique, not Performance brak	Gasolina	4WD	2998	265	360	03.16-07.20	■	

LISTA DE APLICACIONES - BUYERS GUIDE

420 D (B47 D20 A)	not M technique, not Performance brak	Diesel	RWD	1995	120	163	11.13-07.20	■	
420 D (N47 D20 C)	not M technique, not Performance brak	Diesel	RWD	1995	120	163	11.13-07.20	■	
420 D (N47 D20 C)	M technique, not Performance brak	Diesel	RWD	1995	135	184	10.13-06.15	■	
420 D (B47 D20 A)	M technique, not Performance brak	Diesel	RWD	1995	140	190	07.15-07.20	■	
420 D (N47 D20 C)	M technique, not Performance brak	Diesel	RWD	1995	147	200	10.13-06.15	■	
420 D		Diesel	RWD	1995	151	205	07.15-07.20	■	
435 d xDrive (N57 D30 B)	M technique, not Performance brak	Diesel	4WD	2993	230	313	07.14-07.20	■	
4 Serie (F32, F82) 07.13-					Coupe (Compact executive car-D Segment)				
418 i (B38 B15 A)	M technique, not Performance brak	Gasolina	RWD	1499	100	136	03.16-06.20	■	
418 i (B38 B15 A)	M technique, not Performance brak	Gasolina	RWD	1499	100	136	07.15-12.20	■	
420 i (N20 B20 A)	M technique, not Performance brak	Gasolina	RWD	1997	120	163	11.13-02.17	■	
420 i (N20 B20 B)	M technique, not Performance brak	Gasolina	RWD	1997	120	163	11.13-02.17	■	
420 i (N20 B20 B)	M technique, not Performance brak	Gasolina	RWD	1997	120	163	03.14-02.17	■	
420 i xDrive (N20 B20 A)	M technique, not Performance brak	Gasolina	4WD	1997	120	163	11.13-02.16	■	
420 i xDrive (N20 B20 B)	M technique, not Performance brak	Gasolina	4WD	1997	120	163	11.13-02.16	■	
420 i xDrive (N20 B20 B)	M technique, not Performance brak	Gasolina	4WD	1997	120	163	07.14-02.16	■	
420 i (N20 B20 A)	M technique, not Performance brak	Gasolina	RWD	1997	135	184	11.13-02.17	■	
420 i (N20 B20 B)	M technique, not Performance brak	Gasolina	RWD	1997	135	184	11.13-02.17	■	
420 i (N20 B20 B)	M technique, not Performance brak	Gasolina	RWD	1997	135	184	03.14-02.17	■	
420 i xDrive (N20 B20 A)	M technique, not Performance brak	Gasolina	4WD	1997	135	184	11.13-02.16	■	
420 i xDrive (N20 B20 B)	M technique, not Performance brak	Gasolina	4WD	1997	135	184	11.13-02.16	■	
420 i xDrive (N20 B20 B)	M technique	Gasolina	4WD	1997	135	184	07.14-02.16	■	
420 i (B48 B20 A)	M technique, not Performance brak	Gasolina	RWD	1998	135	184	03.16-06.20	■	
420 i (B48 B20 A)	M technique, not Performance brak	Gasolina	RWD	1998	135	184	03.16-05.21	■	
420 i xDrive (B48 B20 A)	M technique, not Performance brak	Gasolina	4WD	1998	135	184	03.16-06.20	■	
420 i xDrive (B48 B20 A)	M technique, not Performance brak	Gasolina	4WD	1998	135	184	03.16-05.21	■	
425 i		Gasolina	RWD	1998	135	184	06.17-06.20	■	
425 i		Gasolina	RWD	1998	135	184	06.17-12.20	■	
435 i (N55 B30 A)	not M technique	Gasolina	RWD	2979	225	306	07.13-02.16	■	
435 i (N55 B30 A)	not M technique, not Performance brak	Gasolina	RWD	2979	225	306	03.14-02.16	■	
435 i xDrive (N55 B30 A)	not M technique	Gasolina	4WD	2979	225	306	07.13-02.16	■	
435 i xDrive (N55 B30 A)	M technique	Gasolina	4WD	2979	225	306	07.14-02.16	■	
435 i (N55 B30 A)	not M technique, not Performance brak	Gasolina	RWD	2979	250	340	07.13-02.16	■	
435 i (N55 B30 A)	not M technique, not Performance brak	Gasolina	RWD	2979	250	340	03.14-02.16	■	
435 i xDrive (N55 B30 A)	not M technique, not Performance brak	Gasolina	4WD	2979	250	340	07.13-02.16	■	
435 i xDrive (N55 B30 A)	not M technique, not Performance brak	Gasolina	4WD	2979	250	340	07.14-02.16	■	
440 i (B58 B30 A)	not M technique, not Performance brak	Gasolina	RWD	2998	240	326	03.16-06.20	■	

LISTA DE APLICACIONES - BUYERS GUIDE

440 i (B58 B30 A)	not M technique, not Performance brak	Gasolina	RWD	2998	240	326	03.16-05.21	■
440 i xDrive (B58 B30 A)	not M technique, not Performance brak	Gasolina	4WD	2998	240	326	03.16-06.20	■
440 i xDrive (B58 B30 A)	not M technique, not Performance brak	Gasolina	4WD	2998	240	326	03.16-05.21	■
440 i (B58 B30 A)	not M technique, not Performance brak	Gasolina	RWD	2998	265	360	03.16-06.20	■
440 i (B58 B30 A)	not M technique, not Performance brak	Gasolina	RWD	2998	265	360	03.16-05.21	■
440 i xDrive (B58 B30 A)	not M technique, not Performance brak	Gasolina	4WD	2998	265	360	03.16-06.20	■
440 i xDrive (B58 B30 A)	not M technique, not Performance brak	Gasolina	4WD	2998	265	360	03.16-05.21	■
418 D (B47 D20 A)	M technique, not Performance brak	Diesel	RWD	1995	100	136	03.15-10.17	■
418 D (B47 D20 A)	M technique, not Performance brak	Diesel	RWD	1995	100	136	03.14-12.20	■
418 D (N47 D20 C)	M technique, not Performance brak	Diesel	RWD	1995	100	136	03.14-12.20	■
418 D (N47 D20 C)	M technique, not Performance brak	Diesel	RWD	1995	105	143	03.14-06.15	■
418 D (B47 D20 A)	M technique, not Performance brak	Diesel	RWD	1995	110	150	03.15-10.17	■
418 D (B47 D20 A)	M technique, not Performance brak	Diesel	RWD	1995	110	150	07.15-12.20	■
420 D (B47 D20 A)	M technique, not Performance brak	Diesel	RWD	1995	120	163	07.13-06.20	■
420 D (N47 D20 C)	M technique, not Performance brak	Diesel	RWD	1995	120	163	07.13-06.20	■
420 D (B47 D20 A)	M technique, not Performance brak	Diesel	RWD	1995	120	163	03.14-12.20	■
420 D (N47 D20 C)	M technique, not Performance brak	Diesel	RWD	1995	120	163	03.14-12.20	■
420 d xDrive (B47 D20 A)	not M technique, not Performance brak	Diesel	4WD	1995	120	163	11.13-06.20	■
420 d xDrive (N47 D20 C)	not M technique, not Performance brak	Diesel	4WD	1995	120	163	11.13-06.20	■
420 d xDrive (B47 D20 A)	M technique, not Performance brak	Diesel	4WD	1995	120	163	03.14-12.20	■
420 d xDrive (N47 D20 C)	M technique, not Performance brak	Diesel	4WD	1995	120	163	03.14-12.20	■
420 D (N47 D20 C)	M technique, not Performance brak	Diesel	RWD	1995	135	184	07.13-02.15	■
420 D (N47 D20 C)	M technique, not Performance brak	Diesel	RWD	1995	135	184	03.14-02.15	■
420 d xDrive (N47 D20 C)	M technique, not Performance brak	Diesel	4WD	1995	135	184	11.13-02.15	■
420 d xDrive (N47 D20 C)	M technique, not Performance brak	Diesel	4WD	1995	135	184	03.14-02.15	■
420 D (B47 D20 A)	sports package	Diesel	RWD	1995	140	190	03.15-06.20	■
420 D (B47 D20 A)	sports package	Diesel	RWD	1995	140	190	03.15-12.20	■
420 d xDrive (B47 D20 A)	sports package	Diesel	4WD	1995	140	190	03.15-06.20	■
420 d xDrive (B47 D20 A)	sports package	Diesel	4WD	1995	140	190	03.15-12.20	■
420 D (N47 D20 C)	not M technique, not Performance brak	Diesel	RWD	1995	147	200	07.13-03.15	■
420 D (N47 D20 C)	M technique, not Performance brak	Diesel	RWD	1995	147	200	03.14-02.15	■
420 d xDrive (N47 D20 C)	not M technique, not Performance brak	Diesel	4WD	1995	147	200	11.13-03.15	■
420 d xDrive (N47 D20 C)	M technique, not Performance brak	Diesel	4WD	1995	147	200	03.14-02.15	■
435 d xDrive (N57 D30 B)	not M technique, not Performance brak	Diesel	4WD	2993	230	313	11.13-06.20	■
435 d xDrive (N57 D30 B)	M technique	Diesel	4WD	2993	230	313	07.14-12.20	■

BMW (BRILLIANCE)

LISTA DE APLICACIONES - BUYERS GUIDE

3 SERIES VI (F30, F35) 07.12-					Saloon (Compact executive car-D Segment)			
325Li	not sports package	Gasolina	FWD	2979	225	306	07.12-	■
335 i / Li		Gasolina	FWD	2979	225	306	07.12-	■