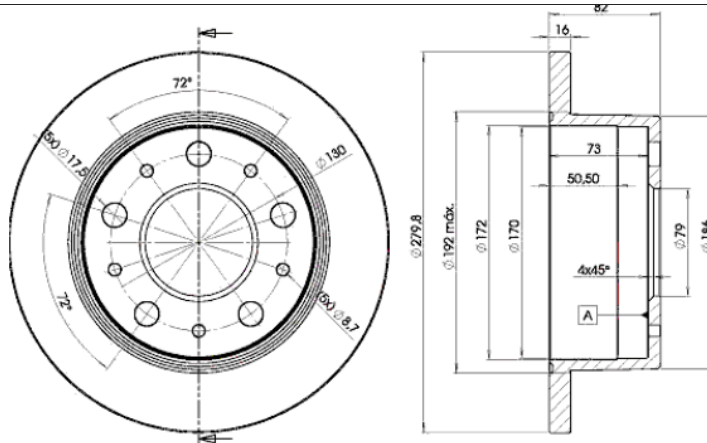


LISTA DE APLICACIONES - BUYERS GUIDE

78BD4696-1



Weight: 7.584



78BD4696-1



Ø280x16x82

O.E.M.	MAKE
4 683 380 7	FIAT
4246.Z1	CITROËN
4246.Z3	PEUGEOT
4249.39	PEUGEOT
4249.40	PEUGEOT
4249.K8	PEUGEOT
5 174 024 8	FIAT
5 174 927 5	FIAT
5 177 492 74	FIAT
5 177 492 75	FIAT
5 185 641 1	FIAT
7 174 011 7	FIAT

MAKE
CITROËN
FIAT
OPEL
PEUGEOT
VAUXHALL



Trac.	CC	Kw	CV
-------	----	----	----



CITROËN

JUMPER II / RELAY (230P) 02.94-04.02						Bus (Minibus-M2-Segment)			
2.0 (XU10J2)	Kg. 1800	Gasolina	FWD	1998	81	110	04.02-06.06		■
2.0 bivalent (XU10J2)	Kg. 1800	Gasol./Gas (CNG)	FWD	1998	81	110	02.03-06.06		■
2.0 HDi (RHV (DW10UTD))	Kg. 1800	Diesel	FWD	1997	62	84	04.02-06.06		■
2.2 HDi (4HY (DW12UTED))	Kg. 1800	Diesel	FWD	2179	74	101	04.02-06.06		■
2.5 D (T9A (DJ5))	11/01-, Kg. 1800	Diesel	FWD	2446	63	86	08.94-04.02		■
2.5 D 4x4 (T9A (DJ5))	11/01-, Kg. 1800	Diesel	4WD	2446	63	86	08.96-04.02		■
2.8 HDi (8140.43S)	Kg. 1800	Diesel	FWD	2798	94	128	04.02-06.06		■
2.8 HDi A las 4 ruedas (8140.43S)		Diesel	4WD	2798	94	128	04.02-06.06		■
JUMPER II / RELAY (230) 03.94-04.02						Platform/Chassis (LCVs-N1 Segment)			
2.0 HDi (RHV (DW10UTD))	Kg. 1800	Diesel	FWD	1997	62	84	04.02-06.06		■
2.2 HDi (4HY (DW12UTED))	Kg. 1800	Diesel	FWD	2179	74	101	04.02-06.06		■
2.2 HDi (4HY (DW12UTED))		Diesel	FWD	2179	74	101	02.02-06.06		■
2.5 D (T9A (DJ5))	11/01-, Kg. 1800	Diesel	FWD	2446	63	86	03.94-04.02		■
2.8 HDi (8140.43S)	12/01-, Kg. 1800	Diesel	FWD	2798	94	128	09.00-04.02		■
2.8 HDi (8140.43S)	Kg. 1800	Diesel	FWD	2798	94	128	04.02-06.06		■
JUMPER II / RELAY (230L) 02.94-08.02						Van (LCVs-N1 Segment)			
2.0 (RFW (XU10J2U))	11/01-, Kg. 1800	Gasolina	FWD	1998	80	109	03.94-04.02		■
2.0 (XU10J2)	Kg. 1800	Gasolina	FWD	1998	81	110	04.02-06.06		■
2.0 bivalent (XU10J2)	Kg. 1800	Gasol./Gas (CNG)	FWD	1998	81	110	02.03-06.06		■
1.9 D (D9B (XUD9A/U))		Diesel	FWD	1905	51	69	02.94-04.02		■

LISTA DE APLICACIONES - BUYERS GUIDE

1.9 TD (D8C (XUD9UTF))		Diesel	FWD	1905	68	92	03.94-04.02	■
2.0 HDi (RHV (DW10TD))	Kg. 1800	Diesel	FWD	1997	62	84	11.01-04.02	■
2.0 HDi (RHV (DW10UTD))	Kg. 1800	Diesel	FWD	1997	62	84	04.02-06.06	■
2.2 HDi (4HY (DW12UTED))	Kg. 1800	Diesel	FWD	2179	74	101	04.02-06.06	■
2.5 D (T9A (DJ5))	11/01-, Kg. 1800	Diesel	FWD	2446	63	86	03.94-04.02	■
2.5 D 4x4 (T9A (DJ5))	11/01-, Kg. 1800	Diesel	4WD	2446	63	86	03.00-04.02	■
2.8 HDI (8140.43S)	12/01-, Kg. 1800	Diesel	FWD	2798	94	128	09.00-04.02	■
2.8 HDI (8140.43S)	Kg. 1800	Diesel	FWD	2798	94	128	04.02-06.06	■
2.8 HDi 4x4 (8140.43S)	12/01-, Kg. 1800	Diesel	4WD	2798	94	128	09.00-04.02	■
2.8 HDi 4x4 (8140.43S)	Kg. 1800	Diesel	4WD	2798	94	128	04.02-06.06	■
2.8 HDI (8140.43N)	Kg. 1800	Diesel	FWD	2798	107	146	04.04-06.06	■
JUMPER III / RELAY 04.06-						Bus (Minibus-M2-Segment)		
2.0 BlueHDi 110 (AHM (DW10FUE))	Kg. 1700	Diesel	FWD	1997	81	110	07.15-09.19	■
2.0 BlueHDi 130 (AHN (DW10FUD))	Kg. 1700	Diesel	FWD	1997	96	130	07.15-09.19	■
2.0 BlueHDi 160 (AHP (DW10FUC))	Kg. 1700	Diesel	FWD	1997	120	163	07.15-09.19	■
2.2 HDi 100 (4HV (P22DTE))	Kg. 1700	Diesel	FWD	2198	74	101	04.06-	■
2.2 HDi 110 (4HG (P22DTE))	Kg. 3500	Diesel	FWD	2198	81	110	07.11-12.20	■
2.2 HDi 120 (4HU (P22DTE))	Kg. 1700	Diesel	FWD	2198	88	120	04.06-12.16	■
2.2 HDi 130 (4HH (P22DTE))	Kg. 1700	Diesel	FWD	2198	96	130	07.11-	■
2.2 HDi 150 (4HJ (P22DTE))	Kg. 3500	Diesel	FWD	2198	110	150	07.11-	■
3.0 HDi 155 (F1CE0481D (F30DT))	Kg. 1700	Diesel	FWD	2999	115	157	07.06-	■
3.0 HDi 180 (F1CE3481E (F30DTE))	Kg. 3500	Diesel	FWD	2999	130	177	07.11-	■
JUMPER III / RELAY 04.06-						Platform/Chassis (LCVs-N1 Segment)		
2.0 BlueHDi 110 (AHM (DW10FUE))	Kg. 1700	Diesel	FWD	1997	81	110	11.15-09.19	■
2.0 BlueHDi 130 (AHN (DW10FUD))	Kg. 1700	Diesel	FWD	1997	96	130	11.15-09.19	■
2.0 BlueHDi 130 4x4 (AHN (DW10FUD))	Kg. 1700	Diesel	4WD	1997	96	130	11.15-09.19	■
2.0 BlueHDi 160 (AHP (DW10FUC))	Kg. 1700	Diesel	FWD	1997	120	163	11.15-09.19	■
2.0 BlueHDi 160 4x4 (AHP (DW10FUC))	Kg. 1700	Diesel	4WD	1997	120	163	11.15-09.19	■
2.2 HDi 100 (4HV (P22DTE))	Kg. 1700	Diesel	FWD	2198	74	101	04.06-	■
2.2 HDi 120 (4HU (P22DTE))	Kg. 1700	Diesel	FWD	2198	88	120	04.06-12.16	■
2.2 HDi 130 (4HH (P22DTE))	Kg. 3500	Diesel	FWD	2198	96	130	07.06-	■
2.2 HDi 150 (4HJ (P22DTE))	Kg. 3500	Diesel	FWD	2198	110	150	07.11-	■
3.0 HDi 145 (F30DTE (F1CE3481N))	Kg. 1700	Diesel	FWD	2999	107	146	07.10-12.13	■
3.0 HDi 160 (F1CE0481D (F30DT))	Kg. 1700	Diesel	FWD	2999	116	157	09.06-12.15	■
3.0 HDi 180 (F1CE3481E (F30DTE))	Kg. 3500	Diesel	FWD	2999	130	177	07.11-	■
JUMPER III / RELAY 04.06-						Van (LCVs-N1 Segment)		
2.0 BlueHDi 110 (AHM (DW10FUE))	Kg. 1700	Diesel	FWD	1997	81	110	11.15-09.19	■
2.0 BlueHDi 130 (AHN (DW10FUD))	Kg. 1700	Diesel	FWD	1997	96	130	11.15-09.19	■
2.0 BlueHDi 160 (AHP (DW10FUC))	Kg. 1700	Diesel	FWD	1997	120	163	11.15-09.19	■
2.0 BlueHDi 160 4x4 (AHP (DW10FUC))	Kg. 1700	Diesel	4WD	1997	120	163	11.15-09.19	■
2.2 HDi 100 (4HV (P22DTE))	Kg. 1700	Diesel	FWD	2198	74	101	04.06-12.12	■
2.2 HDi 110 (4HG (P22DTE))	Kg. 3500	Diesel	FWD	2198	81	110	07.11-12.20	■
2.2 HDi 120 (4HU (P22DTE))	Kg. 1700	Diesel	FWD	2198	88	120	04.06-12.16	■
2.2 HDi 130 (4HH (P22DTE))	Kg. 3500	Diesel	FWD	2198	96	130	07.11-	■
2.2 HDi 150 (4HJ (P22DTE))	Kg. 3500	Diesel	FWD	2198	110	150	07.11-	■
3.0 HDi 145 (F30DTE (F1CE3481N))	Kg. 1700	Diesel	FWD	2999	107	146	07.10-12.13	■
3.0 HDi 155 (F1CE0481D (F30DT))	Kg. 1700	Diesel	FWD	2999	115	156	07.06-12.15	■
3.0 HDi 180 (F1CE3481E (F30DTE))	Kg. 3500	Diesel	FWD	2999	130	177	07.11-	■

FIAT

LISTA DE APLICACIONES - BUYERS GUIDE

DUCATO II (230_) 03.94-05.05					Bus (Minibus-M2-Segment)			
2.0 (RFL)	Kg. 1800	Gasolina	FWD	1998	81	110	12.01-07.06	■
2.0 4x4 (RFL)		Gasolina	4WD	1998	81	110	05.02-07.06	■
2.3 JTD (F1AE0481C)	Kg. 1800	Diesel	FWD	2286	81	110	12.01-07.06	■
2.5 TD 4x4 (8140.47)		Diesel	4WD	2499	85	116	06.94-09.01	■
2.5 TDI 4x4 (8140.47)		Diesel	4WD	2500	85	116	04.97-04.02	■
2.8 JTD (8140.43S)	Kg. 1800	Diesel	FWD	2798	94	128	12.01-	■
DUCATO II (244_) 12.01-					Platform/Chassis (LCVs-N1 Segment)			
2.0 JTD (RHV)	Kg. 1800	Diesel	FWD	1997	62	84	12.01-07.06	■
2.3 JTD (F1AE0481C)	Kg. 1800	Diesel	FWD	2286	81	110	12.01-07.06	■
2.8 JTD (8140.43S)	Kg. 1800	Diesel	FWD	2798	94	128	12.01-07.06	■
2.8 JTD 4x4 (8140.43S)	Kg. 1800	Diesel	4WD	2798	94	128	12.01-07.06	■
DUCATO II (230_) 03.94-05.05					Van (LCVs-N1 Segment)			
2.0 (RFL)	Kg. 1800	Gasolina	FWD	1998	81	110	12.01-07.06	■
2.3 JTD (F1AE0481C)	Kg. 1800	Diesel	FWD	2286	81	110	12.01-07.06	■
2.8 JTD (8140.43S)	Kg. 1800	Diesel	FWD	2798	94	128	12.01-12.11	■
2.8 JTD 4x4 (8140.43S)	12/01-, Kg. 1800	Diesel	4WD	2798	94	128	11.00-04.02	■
2.8 JTD 4x4 (8140.43S)	Kg. 1800	Diesel	4WD	2798	94	128	12.01-07.06	■
DUCATO III (250_) 07.06-					Bus (Minibus-M2-Segment)			
140 Multijet 2,2 D		Diesel	FWD	2184	103	140	07.21-10.23	■
100 Multijet 2,2 D (4HV)	Kg. 1700	Diesel	FWD	2198	74	101	07.06-05.11	■
110 Multijet 2,3 D (F1AE3481G)		Diesel	FWD	2287	83	113	10.11-07.14	■
120 Multijet 2,3 D (F1AE0481D)	Kg. 1700	Diesel	FWD	2287	88	120	07.06-10.13	■
130 Multijet 2,3 D		Diesel	FWD	2287	93	126	01.10-	■
130 Multijet 2,3 D (F1AE0481N)		Diesel	FWD	2287	96	131	01.07-	■
130 Multijet 2,3 D (F1AE3481D)		Diesel	FWD	2287	96	131	01.07-	■
130 Multijet 2,3 D (F1AGL411D)		Diesel	FWD	2287	96	131	01.07-	■
150 Multijet 2,3 D (F1AGL411A)		Diesel	FWD	2287	110	150	04.15-	■
150 Multijet 2,3 D (F1AGL411C)		Diesel	FWD	2287	110	150	04.15-	■
180 Multijet 2,3 D		Diesel	FWD	2287	130	177	12.15-	■
150 Multijet 3,0 D (F1CE3481N)		Diesel	FWD	2999	107	146	04.10-07.14	■
160 Multijet 3,0 D (F1CE0481D)		Diesel	FWD	2999	115	156	10.06-05.11	■
160 Multijet 3,0 D (F1CE0481D)	Kg. 1700	Diesel	FWD	2999	116	158	07.06-05.11	■
160 Multijet 3,0 D (F1CE3481M)	Kg. 1700	Diesel	FWD	2999	116	158	07.06-05.11	■
DUCATO III (250_) 07.06-					Platform/Chassis (LCVs-N1 Segment)			
120 Multijet 2,2 D		Diesel	FWD	2184	88	120	07.21-	■
140 Multijet 2,2 D		Diesel	FWD	2184	103	140	07.21-	■
160 Multijet 2,2 D		Diesel	FWD	2184	118	160	07.21-10.23	■
180 Multijet 2,2 D		Diesel	FWD	2184	132	180	07.21-	■
100 Multijet 2,2 D (4HV)	Kg. 1700	Diesel	FWD	2198	74	101	07.06-05.11	■
110 Multijet 2,3 D (F1AE3481G)		Diesel	FWD	2287	83	113	10.11-07.14	■
120 Multijet 2,3 D (F1AE0481D)	Kg. 1700	Diesel	FWD	2287	88	120	07.06-	■
120 Multijet 2,3 D (F1AGL4114)	Kg. 1700	Diesel	FWD	2287	88	120	07.06-	■
120 Multijet 2,3 D 4x4 (F1AE0481D)		Diesel	4WD	2287	88	120	03.10-	■
130 Multijet 2,3 D		Diesel	FWD	2287	93	126	08.06-	■
150 Multijet 2,3 D (F1AGL411C)		Diesel	FWD	2287	110	150	12.15-	■
180 Multijet 2,3 D (F1AGL4111)		Diesel	FWD	2287	130	177	12.15-	■
180 Multijet 2,3 D (F1AGL411B)		Diesel	FWD	2287	130	177	12.15-	■
150 Multijet 3,0 D (F1CE3481N)		Diesel	FWD	2999	107	146	04.10-07.14	■

LISTA DE APLICACIONES - BUYERS GUIDE

160 Multijet 3,0 D (F1CE0481D)	Kg. 1700	Diesel	FWD	2999	116	158	07.06-05.14	■	
140 Natural Power (F1CE0441A)		CNG	FWD	2999	100	136	04.09-	■	
140 Natural Power (F1CFA401A)		CNG	FWD	2999	100	136	04.09-	■	
DUCATO III (250_) 07.06-						Van (LCVs-N1 Segment)			
120 Multijet 2,2 D		Diesel	FWD	2184	88	120	07.21-	■	
140 Multijet 2,2 D		Diesel	FWD	2184	103	140	07.21-	■	
160 Multijet 2,2 D		Diesel	FWD	2184	118	160	07.21-10.23	■	
180 Multijet 2,2 D		Diesel	FWD	2184	132	180	07.21-	■	
100 Multijet 2,2 D (4HV)	Kg. 1700	Diesel	FWD	2198	74	101	07.06-05.11	■	
110 Multijet 2,3 D (F1AE3481G)		Diesel	FWD	2287	83	113	10.11-07.14	■	
120 Multijet 2,3 D (F1AE0481D)	Kg. 1700	Diesel	FWD	2287	88	120	07.06-	■	
120 Multijet 2,3 D (F1AGL4114)	Kg. 1700	Diesel	FWD	2287	88	120	07.06-	■	
120 Multijet 2,3 D 4x4 (F1AE0481D)		Diesel	4WD	2287	88	120	03.10-	■	
130 Multijet 2,3 D		Diesel	FWD	2287	93	126	08.06-12.18	■	
150 Multijet 2,3 D (F1AGL411A)		Diesel	FWD	2287	110	150	12.15-	■	
150 Multijet 2,3 D (F1AGL411C)		Diesel	FWD	2287	110	150	12.15-	■	
180 Multijet 2,3 D (F1AGL4111)		Diesel	FWD	2287	130	177	12.15-	■	
180 Multijet 2,3 D (F1AGL411B)		Diesel	FWD	2287	130	177	12.15-	■	
160 Multijet 3,0 D (F1CE0481D)	Kg. 1700	Diesel	FWD	2999	116	158	07.06-05.11	■	
OPEL									
MOVANO C (U9, X250) 12.21-						Platform/Chassis (LCVs-N1 Segment)			
2.2 D		Diesel	FWD	2179	88	120	12.21-10.23	■	
2.2 D		Diesel	FWD	2179	103	140	12.21-10.23	■	
2.2 D		Diesel	FWD	2179	121	165	12.21-10.23	■	
MOVANO C (U9, X250) 12.21-						Van (LCVs-N1 Segment)			
2.2 D		Diesel	FWD	2179	88	120	12.21-10.23	■	
2.2 D		Diesel	FWD	2179	103	140	12.21-10.23	■	
2.2 D		Diesel	FWD	2179	121	165	12.21-10.23	■	
PEUGEOT									
BOXER II (244, Z_) 12.01-						Bus (Minibus-M2-Segment)			
2.8 HDi 4x4 (8140.43S (F28DTCR))	Kg. 1800	Diesel	4WD	2798	94	128	12.01-06.06	■	
2.8 HDi (8140.43N)		Diesel	FWD	2798	107	145	04.04-06.06	■	
BOXER II (ZCT_) 03.94-04.02						Platform/Chassis (LCVs-N1 Segment)			
2.0 (RFL (XU10J2U))		Gasolina	FWD	1998	81	110	12.01-04.02	■	
2.0 HDi (RHV (DW10TD))	Kg. 1800	Diesel	FWD	1997	62	84	12.01-06.06	■	
2.0 HDi (RHV (DW10UTD))	Kg. 1800	Diesel	FWD	1997	62	84	12.01-06.06	■	
2.2 HDi (4HY (DW12UTED))	Kg. 1800	Diesel	FWD	2179	74	101	12.01-06.06	■	
2.8 HDi (8140.43S (F28DTCR))	Kg. 1800	Diesel	FWD	2798	94	128	12.01-06.06	■	
2.8 HDi 4x4 (8140.43S (F28DTCR))	Kg. 1800	Diesel	4WD	2798	94	128	12.01-06.06	■	
2.8 HDi (8140.43N)	Kg. 1800	Diesel	FWD	2798	107	146	04.04-06.06	■	
BOXER II (244) 12.01-						Van (LCVs-N1 Segment)			
2.0 (RFL (XU10J2U))	Kg. 1800	Gasolina	FWD	1998	81	110	12.01-06.06	■	
2.8 HDi (8140.43S (F28DTCR))	Kg. 1800	Diesel	FWD	2798	94	128	12.01-06.06	■	
2.8 HDi (8140.43N)	Kg. 1800	Diesel	FWD	2798	107	146	04.04-06.06	■	
BOXER III / MANAGER 09.05-						Bus (Minibus-M2-Segment)			
2.0 BlueHDi 110 (AHM (DW10FUE))	Kg. 1700	Diesel	FWD	1997	81	110	07.15-09.19	■	
2.0 BlueHDi 130 (AHN (DW10FUD))	Kg. 1700	Diesel	FWD	1997	96	130	07.15-09.19	■	
2.0 BlueHDi 160 (AHP (DW10FUC))	Kg. 1700	Diesel	FWD	1997	120	163	07.15-09.19	■	

LISTA DE APLICACIONES - BUYERS GUIDE

2.2 HDi 100 (4HV (P22DTE))	Kg. 1700	Diesel	FWD	2198	74	101	04.06-	■	
2.2 HDi 120 (4HU (P22DTE))	Kg. 1700	Diesel	FWD	2198	88	120	04.06-12.16	■	
2.2 HDi 150 (4HJ (P22DTE))	Kg. 3500	Diesel	FWD	2198	110	150	03.11-	■	
2.8 HDi		Diesel	FWD	2798	93	127	09.05-09.09	■	
3.0 HDi 145 (F1CE3481N (F30DTE))	Kg. 1700	Diesel	FWD	2999	107	146	04.10-12.13	■	
3.0 HDi 160 (F1CE0481D (F30DT))	Kg. 1700	Diesel	FWD	2999	115	156	04.06-12.15	■	
BOXER III / MANAGER 04.06-							Platform/Chassis (LCVs-N1 Segment)		
2.0 BlueHDi 110 (AHM (DW10FUE))	Kg. 1700	Diesel	FWD	1997	81	110	03.16-09.19	■	
2.0 BlueHDi 130 (AHN (DW10FUD))	Kg. 1700	Diesel	FWD	1997	96	130	03.16-09.19	■	
2.0 BlueHDi 160 (AHP (DW10FUC))	Kg. 1700	Diesel	FWD	1997	120	163	03.16-12.23	■	
2.2 HDi 100 (4HV (P22DTE))	Kg. 1700	Diesel	FWD	2198	74	101	04.06-	■	
2.2 HDi 110 (4HG (P22DTE))	Kg. 3500	Diesel	FWD	2198	81	110	03.11-12.20	■	
2.2 HDi 120 (4HU (P22DTE))	Kg. 1700	Diesel	FWD	2198	88	120	04.06-12.16	■	
2.2 HDi 130 (4HH (P22DTE))	Kg. 3500	Diesel	FWD	2198	96	131	04.06-	■	
2.2 HDi 130		Diesel	4WD	2198	96	130	03.11-	■	
2.2 HDi 150 (4HJ (P22DTE))	Kg. 3500	Diesel	FWD	2198	110	150	03.11-	■	
2.2 HDi 150		Diesel	4WD	2198	110	150	03.11-	■	
3.0 HDi 145 (F1CE3481N (F30DTE))	Kg. 1700	Diesel	FWD	2999	107	146	04.10-12.13	■	
3.0 HDi 155 (F1CE0481D (F30DT))	Kg. 1700	Diesel	FWD	2999	115	156	04.06-12.15	■	
3.0 HDi 160 (F1CE0481D (F30DT))	Kg. 1700	Diesel	FWD	2999	116	156	04.06-12.15	■	
3.0 HDi 175 (F1CE3481E (F30DTE))	Kg. 3500	Diesel	FWD	2999	130	177	03.11-	■	
BOXER III / MANAGER 04.06-							Van (LCVs-N1 Segment)		
2.0 BlueHDi 110 (AHM (DW10FUE))	Kg. 1700	Diesel	FWD	1997	81	110	03.16-09.19	■	
2.0 BlueHDi 130 (AHN (DW10FUD))	Kg. 1700	Diesel	FWD	1997	96	130	03.16-09.19	■	
2.0 BlueHDi 160 (AHP (DW10FUC))	Kg. 1700	Diesel	FWD	1997	120	163	03.16-12.23	■	
2.2 HDi 100 (4HV (P22DTE))	Kg. 1700	Diesel	FWD	2198	74	101	04.06-	■	
2.2 HDi 110 (4HG (P22DTE))	Kg. 3500	Diesel	FWD	2198	81	110	03.11-12.20	■	
2.2 HDi 120 (4HU (P22DTE))	Kg. 1700	Diesel	FWD	2198	88	120	04.06-12.16	■	
2.2 HDi 130 (4HH (P22DTE))	Kg. 3500	Diesel	FWD	2198	96	131	03.11-	■	
2.2 HDi 150 (4HJ (P22DTE))	Kg. 3500	Diesel	FWD	2198	110	150	03.11-	■	
3.0 HDi 145 (F1CE3481N (F30DTE))	Kg. 1700	Diesel	FWD	2999	107	146	04.10-12.13	■	
3.0 HDi 155 (F1CE0481D (F30DT))	Kg. 1700	Diesel	FWD	2999	115	156	07.06-12.15	■	
3.0 HDi 175 (F1CE3481E (F30DTE))	Kg. 3500	Diesel	FWD	2999	130	177	03.11-	■	
VAUXHALL									
MOVANO Mk III © (U9, X250) 12.21-							Platform/Chassis (LCVs-N1 Segment)		
2.2 D		Diesel	FWD	2179	103	140	12.21-04.25	■	
2.2 D		Diesel	FWD	2179	121	165	12.22-10.23	■	
MOVANO Mk III © (U9, X250) 12.21-							Van (LCVs-N1 Segment)		
2.2 D		Diesel	FWD	2179	88	120	12.22-10.23	■	
2.2 D		Diesel	FWD	2179	103	140	12.21-10.23	■	
2.2 D		Diesel	FWD	2179	121	165	12.21-10.23	■	