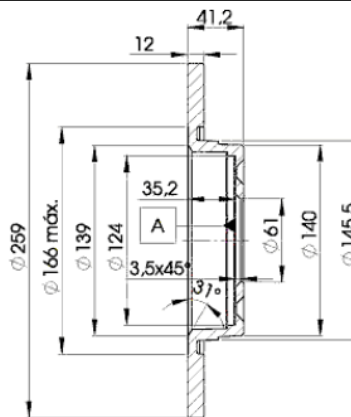
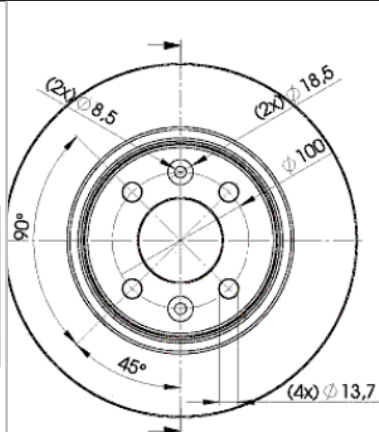


LISTA DE APLICACIONES - BUYERS GUIDE

78BD4707-2



Weight: 8.516



78BD4707-2

E1 90R-02C0415/0005



Ø259x12x41

MAKE

DACIA

LADA

RENAULT

SMART



Trac.	CC	Kw	CV
-------	----	----	----



Front / Rear

DACIA

LOGAN (LS_) 08.04-

Saloon (Compact car-C Segment)

1.4 (LS0A, LS0C, LS0E, LS0G) (K7J 710)	vehicles with ABS	Gasolina	FWD	1390	55	75	09.04-	■
1.6 (LS0B, LS0D, LS0F, LS0H) (K7M 710)	vehicles with ABS	Gasolina	FWD	1598	64	87	09.04-	■
1.6 16V (LS09, LS0L, LS0M, LS0P, LS0V, LS18, LS1S, LS1V,... (K4M 690)	vehicles with ABS	Gasolina	FWD	1598	77	105	02.06-	■
1.6 16V (LS09, LS0L, LS0M, LS0P, LS0V, LS18, LS1S, LS1V,... (K4M 694)	vehicles with ABS	Gasolina	FWD	1598	77	105	02.06-	■
1.6 16V (LS09, LS0L, LS0M, LS0P, LS0V, LS18, LS1S, LS1V,... (K4M 696)	vehicles with ABS	Gasolina	FWD	1598	77	105	02.06-	■
1.6 16V (LS09, LS0L, LS0M, LS0P, LS0V, LS18, LS1S, LS1V,... (K4M 697)	vehicles with ABS	Gasolina	FWD	1598	77	105	02.06-	■
1.6 16V (LS09, LS0L, LS0M, LS0P, LS0V, LS18, LS1S, LS1V,... (K4M 698)	vehicles with ABS	Gasolina	FWD	1598	77	105	02.06-	■
1.6 LPG (K7M 718)		Gasol./Gas (LPG)	FWD	1598	64	87	08.04-03.11	■
1.0 Hi-Flex (LS0R, LS1G) (D4D 760)		Gasol./Etanol	FWD	999	56	76	01.11-10.12	■
1.6 16V Flexifuel (K4M 696)		Gasol./Etanol	FWD	1598	77	105	07.10-	■
1.5 dCi (LS0J, LS0Y) (K9K 790)	vehicles with ABS	Diesel	FWD	1461	48	65	09.05-	■
1.5 dCi (LS0K) (K9K 792)	vehicles with ABS	Diesel	FWD	1461	50	68	01.06-12.12	■
1.5 dCi (LS0W) (K9K 796)	vehicles with ABS	Diesel	FWD	1461	63	86	09.07-12.11	■

LOGAN II (L52) 10.12-

Saloon (Compact car-C Segment)

1.2		Gasolina	FWD	1149	54	73	05.15-	■
1.2 (D4F 732)		Gasolina	FWD	1149	55	75	10.12-	■
1.6		Gasolina	FWD	1598	59	80	09.16-	■
1.6 (K7M 812)		Gasolina	FWD	1598	63	86	06.13-08.16	■

LISTA DE APLICACIONES - BUYERS GUIDE

LOGAN II MCV (K52) 02.13-					Estate (Compact car-C Segment)			
1.6 (K7M 812)		Gasolina	FWD	1598	62	84	06.13-	■
LOGAN EXPRESS (FS_) 10.07-					Estate Van (Compact car-C Segment)			
1.4 (K7J 710)		Gasolina	FWD	1390	55	75	03.09-	■
1.6 (K7M 710)		Gasolina	FWD	1598	64	87	03.09-	■
LOGAN MCV (KS_) 02.07-					Estate (Compact car-C Segment)			
1.4 (K7J 710)		Gasolina	FWD	1390	55	75	02.07-	■
1.6 (KS0B, KS0D, KS0F) (K7M 710)		Gasolina	FWD	1598	64	87	02.07-06.13	■
1.6 16V (KS0L, KS0M, KS0P, KS1S) (K4M 690)	vehicles with ABS	Gasolina	FWD	1598	77	105	02.07-	■
1.6 16V (KS0L, KS0M, KS0P, KS1S) (K4M 696)	vehicles with ABS	Gasolina	FWD	1598	77	105	02.07-	■
1.6 16V (KS0L, KS0M, KS0P, KS1S) (K4M 697)	vehicles with ABS	Gasolina	FWD	1598	77	105	02.07-	■
1.6 BiFuel (K7M 710)		Gasol./Gas (LPG)	FWD	1598	64	87	11.08-	■
1.5 dCi (KS0K) (K9K 792)		Diesel	FWD	1461	50	68	02.07-	■
1.5 dCi (KS0W) (K9K 796)		Diesel	FWD	1461	63	86	09.07-12.12	■
SANDERO (BS_) 06.08-					Hatchback (Compact car-C Segment)			
1.4 (BS0C, BS0A, BS0G, BS1F, BS0E) (K7J 710)		Gasolina	FWD	1390	55	75	06.08-12.12	■
1.6 (BS0D, BS0B, BS0F, BS0H) (K7M 710)		Gasolina	FWD	1598	64	87	06.08-12.12	■
1.6 16V (K4M 690)		Gasolina	FWD	1598	77	105	07.11-12.12	■
1.6 16V (K4M 694)		Gasolina	FWD	1598	77	105	07.11-12.12	■
1.4 MPI LPG (K7J 714)		Gasol./Gas (LPG)	FWD	1390	53	72	01.09-12.12	■
1.6 LPG (BS03) (K7M 818)		Gasol./Gas (LPG)	FWD	1598	60	82	01.11-12.12	■
1.6 LPG (K7M 818)		Gasol./Gas (LPG)	FWD	1598	62	84	05.10-10.12	■
1.6 LPG (K7M 718)		Gasol./Gas (LPG)	FWD	1598	64	87	06.08-12.12	■
1.0 Hi-Flex (D4D 760)		Gasol./Etanol	FWD	999	56	76	01.11-12.12	■
1.6 Hi-Flex (BS1H) (K7M 732)		Gasol./Etanol	FWD	1598	64	87	06.08-12.12	■
1.6 16V Bifuel (K4M 690)		Gasol./Etanol	FWD	1598	77	105	01.11-12.12	■
1.6 16V Bifuel (K4M 694)		Gasol./Etanol	FWD	1598	77	105	01.11-12.12	■
1.6 16V Bifuel (K4M 696)		Gasol./Etanol	FWD	1598	77	105	01.11-12.12	■
1.5 dCi (K9K 790)		Diesel	FWD	1461	48	65	11.08-12.12	■
1.5 dCi (K9K 792)		Diesel	FWD	1461	50	68	11.08-12.12	■
1.5 dCi (K9K 796)		Diesel	FWD	1461	63	86	11.08-12.12	■
SANDERO II (B8_) 10.12-					Hatchback (Compact car-C Segment)			
1.2 (D4F 732)		Gasolina	FWD	1149	54	73	05.15-	■
1.2 (D4F 732)		Gasolina	FWD	1149	55	75	10.12-	■
1.2 LPG (D4F 734)		Gasol./Gas (LPG)	FWD	1149	55	75	10.12-	■
LADA								
LARGUS (KS0_, RS0_, KSA_) 03.12-					Estate Van (Compact car-C Segment)			
1.6 (KS035, RS035) (11189)		Gasolina	FWD	1597	64	87	06.16-	■
1.6 (KS0Y5, RS0Y5) (K7M)		Gasolina	FWD	1598	62	84	03.12-	■
1.6 (KS0Y5, RS0Y5) (K4M)		Gasolina	FWD	1598	77	105	03.12-	■
RENAULT								

LISTA DE APLICACIONES - BUYERS GUIDE

LOGAN II /STEPWAY II / TONDAR (L8_) 09.12-					Saloon (Compact car-C Segment)			
1.2 (D4F 732)		Gasolina	FWD	1149	55	75	11.13-	■
1.6 (K7M 812)		Gasolina	FWD	1598	59	80	11.13-	■
1.6 (K7M 812)		Gasolina	FWD	1598	60	82	04.14-	■
1.6 (H4M 438)		Gasolina	FWD	1598	83	113	09.16-	■
LOGAN / TONDAR 90 (KS_) 04.07-					Estate (Compact car-C Segment)			
1.4 (K7J 710)		Gasolina	FWD	1390	55	75	10.07-	■
1.6 (K7M 710)		Gasolina	FWD	1598	64	87	04.07-	■
LOGAN / TONDAR 90 (LS_) 09.04-					Saloon (Compact car-C Segment)			
1.4 LPG (K7J 714)		Gasol./Gas (LPG)	FWD	1390	53	72	02.08-10.13	■
SANDERO II /STEPWAY II (B8_) 11.13-					Hatchback (Compact car-C Segment)			
1.0 SCe 75 (B8JD)		Gasolina	FWD	999	54	73	12.19-	■
1.2 16V (D4F 732)		Gasolina	FWD	1149	54	73	12.13-	■
1.2 16V (D4F 734)		Gasolina	FWD	1149	54	73	12.13-	■
1.2 16V (D4F 732)		Gasolina	FWD	1149	55	75	04.15-	■
1.6 (K7M 812)		Gasolina	FWD	1598	59	80	11.13-	■
1.6		Gasolina	FWD	1598	60	82	11.13-	■
1.6		Gasolina	FWD	1598	61	83	11.13-	■
1.6		Gasolina	FWD	1598	63	86	04.16-	■
1.6		Gasolina	FWD	1598	66	90	05.15-	■
1.6 16V		Gasolina	FWD	1598	75	102	04.14-	■
1.2 16V LPG (D4F 734)		Gasol./Gas (LPG)	FWD	1149	53	72	12.13-	■
1.6 Flex (B8A6)		Gasol./Etanol	FWD	1598	78	106	03.14-07.18	■
SANDERO/STEPWAY (BS_) 11.07-					Hatchback (Compact car-C Segment)			
1.4 (K7J 710)		Gasolina	FWD	1390	55	75	02.09-07.13	■
1.6 (K7M 718)		Gasolina	FWD	1598	62	84	11.10-07.13	■
1.6 (BS0H, BS0F) (K7M 710)		Gasolina	FWD	1598	64	87	02.09-10.12	■
1.6		Gasolina	FWD	1598	66	90	05.09-	■
1.6 (K7M 710)		Gasolina	FWD	1598	75	102	12.07-07.13	■
1.6 (K4M 697)		Gasolina	FWD	1598	76	103	12.07-07.13	■
1.6 (K4M 690)		Gasolina	FWD	1598	77	105	05.12-12.12	■
1.6 (BS0V, BS1V)		Gasolina	FWD	1598	82	112	09.09-12.15	■
1.4 LPG (K7J 714)		Gasol./Gas (LPG)	FWD	1390	53	72	02.09-12.12	■
1.6 Flex		Gasol./Etanol	FWD	1598	77	105	12.12-	■
1.6 Flex (BS0V, BS1V, BS09)		Gasol./Etanol	FWD	1598	82	112	08.08-06.14	■
THALIA III / SYMBOL (L8_) 12.13-					Saloon (Supermini car-B Segment)			
1.5 dCi (K9K 612)		Diesel	FWD	1461	55	75	07.14-	■
1.5 dCi (K9K 612, K9K 626, K9K 830, K9K 838)		Diesel	FWD	1461	60	82	12.13-	■
1.5 dCi (L8AJ) (K9K 612)		Diesel	FWD	1461	66	90	12.13-	■
TWINGO (C06_) 03.93-10.12					Hatchback (City car-A Segment)			
1.2 LPG		Gasol./Gas (LPG)	FWD	1149	43	58	09.00-06.07	■
TWINGO III (BCM_, BCA_) 09.14-					Hatchback (City car-A Segment)			
1.0 SCe 65 (BCMJ) (B4D 403)		Gasolina	RWD	999	48	65	03.19-07.24	■
1.0 SCe 70 (BCMB) (H4D 400)		Gasolina	RWD	999	51	69	09.15-04.19	■
1.0 SCe 70 (H4D 400)		Gasolina	RWD	999	52	71	09.14-04.19	■

LISTA DE APLICACIONES - BUYERS GUIDE

1.0 SCe 75 (B4D 403)		Gasolina	RWD	999	54	73	03.19-01.21	■
SMART								
FORTWO III (453) 09.15-					Convertible (City car-A Segment)			
0.9 (453.444, 453.453) (M 281.910)		Gasolina	RWD	898	66	90	09.15-	■
0.9 Brabus (453.462) (M 281.910)		Gasolina	RWD	898	80	109	07.16-	■
1.0 (453.442, 453.443) (M 281.920)		Gasolina	RWD	999	52	71	09.15-	■
electric drive / EQ (453.491)		Eléctrico	RWD		41	56	05.17-	■
electric drive (453.491)		Eléctrico	RWD		60	82	05.17-	■
FORTWO III (453) 07.14-					Coupe (City car-A Segment)			
0.9 (453.344, 453.353) (M 281.910)		Gasolina	RWD	898	66	90	09.14-	■
0.9 Brabus (453.362) (M 281.910)		Gasolina	RWD	898	80	109	07.16-	■
1.0 (453.341) (M 281.920)		Gasolina	RWD	999	45	60	11.14-	■
1.0 (453.342, 453.343) (M 281.920)		Gasolina	RWD	999	52	71	07.14-	■
electric drive / EQ (453.491)		Eléctrico	RWD		41	56	05.17-	■
electric drive (453.391)		Eléctrico	RWD		60	82	05.17-	■