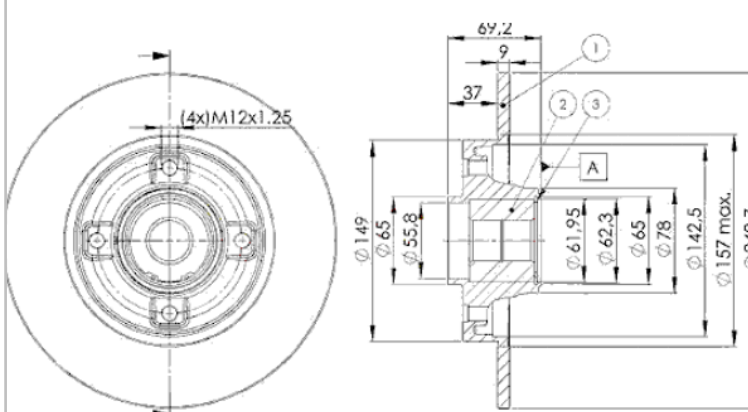


LISTA DE APLICACIONES - BUYERS GUIDE

**78BD4745-1**



Weight: 5.250



**78BD4745-1**

**E1 90R-02C0559/0102**



Ø249x9x69

O.E.M.	MAKE
16 192 379 80	CITROËN
3 648 487	VAUXHALL
4246.19	PEUGEOT
4249.19	DS
4249.32	DS
E169195	PEUGEOT
E169506	PEUGEOT

MAKE
CITROËN
DS
OPEL
PEUGEOT
VAUXHALL



Trac.	CC	Kw	CV	Front / Rear
-------	----	----	----	--------------

**CITROËN**

C3 AIRCROSS 08.10-						MPV (Mini SUV-J Segment)			
1.5		Gasolina	FWD	1449	66	90	11.15-		■
C3 II (SC_) 06.10-						Hatchback Van (Supermini car-B Segment)			
1.4 HDi (8HR (DV4C))		Diesel	FWD	1398	50	68	06.10-09.16		■
1.6 BlueHDi (BHW (DV6FE))		Diesel	FWD	1560	55	75	03.15-09.16		■
C3 II (SC_) 09.09-						Hatchback (Supermini car-B Segment)			
1.0 VTi 68 (ZMZ (EB0))		Gasolina	FWD	999	50	68	08.12-09.16		■
1.2 VTi 82 (HMZ (EB2))		Gasolina	FWD	1199	60	82	06.12-09.16		■
1.2 VTi 82 (HMZ (EB2F))		Gasolina	FWD	1199	60	82	06.12-09.16		■
1.2 THP 110 (HNZ (EB2DT))		Gasolina	FWD	1199	81	110	10.14-09.16		■
1.4 VTi (8FR (EP3))		Gasolina	FWD	1397	72	98	11.09-09.16		■
1.5		Gasolina	FWD	1449	66	90	08.12-09.16		■
1.6 VTi		Gasolina	FWD	1587	85	116	11.13-		■
1.4 LPG (KFT (TU3A))		Gasol./Gas (LPG)	FWD	1360	54	73	07.10-09.16		■
1.4 LPG (8FN (EP3))		Gasol./Gas (LPG)	FWD	1397	70	95	06.13-09.16		■
1.2 PureTech Flex		Gasol./Etanol	FWD	1199	66	90	06.16-06.21		■
1.5 Flex		Gasol./Etanol	FWD	1449	68	92	08.12-12.16		■
1.6 VTi Flex (EC5)		Gasol./Etanol	FWD	1587	87	118	10.16-06.21		■
1.6 VTi 120 Flex (EC5)		Gasol./Etanol	FWD	1587	90	122	07.12-09.16		■
1.4 HDi 70 (SC8HZC, SC8HR0, SC8HP4) (8HR (DV4C))		Diesel	FWD	1398	50	68	11.09-09.16		■

# LISTA DE APLICACIONES - BUYERS GUIDE

1.4 HDi 70 (SC8HZC, SC8HR0, SC8HP4) (8HZ (DV4TD))	Diesel	FWD	1398	50	68	11.09-09.16	■
1.6 BlueHdi 75 (9HK (DV6ETEDM))	Diesel	FWD	1560	55	75	04.15-09.16	■
1.6 BlueHdi 75 (BHW (DV6FE))	Diesel	FWD	1560	55	75	04.15-09.16	■
1.6 HDi 90 (9HX (DV6ATED4))	Diesel	FWD	1560	66	90	11.09-09.16	■
1.6 BlueHdi 100 (BHY (DV6FD))	Diesel	FWD	1560	73	99	07.14-09.16	■
1.6 HDi 115 (9HD (DV6C))	Diesel	FWD	1560	84	114	09.12-09.16	■
<b>C3 II Picasso (SH_) 12.08-</b>							<b>MPV (Mini MPV-M1 Segment)</b>
1.2 THP 110 (SHHNZ6) (HNZ (EB2DT))	Gasolina	FWD	1199	81	110	01.15-12.15	■
1.6 VTi 115 (SH5FP0, SH5FP8) (5FP (EP6))	Gasolina	FWD	1598	84	114	07.09-12.15	■
1.4 VTi 95 LPG (SH8FN0) (8FN (EP3))	Gasol./Gas (LPG)	FWD	1397	70	95	09.10-11.15	■
1.6 HDi 90 (9HP (DV6DTE))	Diesel	FWD	1560	68	92	07.10-03.15	■
1.6 BlueHdi 100 (BHY (DV6FD))	Diesel	FWD	1560	73	99	01.15-08.17	■
<b>C3 III (SX) 07.16-</b>							<b>Hatchback (Supermini car-B Segment)</b>
1.2 VTi 68 (HMM (EB2FAD))	Gasolina	FWD	1199	50	68	07.16-	■
1.2 VTi 68 (HMP (EB2FB))	Gasolina	FWD	1199	50	68	07.16-	■
1.2 VTi 82 (HMZ (EB2F))	Gasolina	FWD	1199	60	82	07.16-	■
1.2 THP 110 (SXHNPS, SXHNZT, SXHNZ6) (HNP (EB2ADT))	Gasolina	FWD	1199	81	110	07.16-	■
1.2 THP 110 (SXHNPS, SXHNZT, SXHNZ6) (HNV (EB2DTM))	Gasolina	FWD	1199	81	110	07.16-	■
1.2 THP 110 (SXHNPS, SXHNZT, SXHNZ6) (HNZ (EB2DT))	Gasolina	FWD	1199	81	110	07.16-	■
1.6 VTi (SXNFPT) (NFP (EC5))	Gasolina	FWD	1587	85	116	02.17-	■
1.2 VTi 82 LPG (HMZ (EB2F))	Gasol./Gas (LPG)	FWD	1199	60	82	07.16-	■
1.6 BlueHdi 75 (BHW (DV6FE))	Diesel	FWD	1560	55	75	07.16-05.18	■
1.6 BlueHdi 100 (BHY (DV6FD))	Diesel	FWD	1560	73	99	07.16-05.18	■
<b>C3 III AIRCROSS II (2R_, 2C_) 06.17-</b>							<b>SUV (Mini SUV-J Segment)</b>
1.2 PureTech 82 (2RHMRC, 2RHMZB) (HMR (EB2FA))	Gasolina	FWD	1199	60	82	06.17-	■
1.2 PureTech 82 (2RHMRC, 2RHMZB) (HMZ (EB2F))	Gasolina	FWD	1199	60	82	06.17-	■
1.2 PureTech 110 (2RHNZB, 2RHNZW, 2RHNPX, 2RHNPJ) (HNP (EB2ADT))	Gasolina	FWD	1199	81	110	06.17-	■
1.2 PureTech 110 (2RHNZB, 2RHNZW, 2RHNPX, 2RHNPJ) (HNV (EB2DTM))	Gasolina	FWD	1199	81	110	06.17-	■
1.2 PureTech 110 (2RHNZB, 2RHNZW, 2RHNPX, 2RHNPJ) (HNZ (EB2DT))	Gasolina	FWD	1199	81	110	06.17-	■
1.2 PureTech 130 (2RHNYH) (HNS (EB2ADTS))	Gasolina	FWD	1199	96	131	07.17-	■
1.2 PureTech 130 (2RHNYH) (HNY (EB2DTS))	Gasolina	FWD	1199	96	131	07.17-	■
1.5 BlueHdi 100 (2CYHYJ) (YHY (DV5RD))	Diesel	FWD	1499	73	99	08.18-	■
1.5 BlueHdi 100 (2CYHYJ) (YHY (DV5RD))	Diesel	FWD	1499	75	102	08.18-	■
1.5 BlueHdi 110 (YHS (DV5RCE))	Diesel	FWD	1499	81	110	10.20-	■
1.5 BlueHdi 120 (2CYHXX) (YHX (DV5RC))	Diesel	FWD	1499	88	120	08.18-	■
1.6 HDi 92 (2C9HPA) (9HP (DV6D))	Diesel	FWD	1560	68	92	10.17-	■
1.6 HDi 92 (2C9HPA) (9HP (DV6DTE))	Diesel	FWD	1560	68	92	10.17-	■
1.6 BlueHdi 100 (2CBHYB) (BHY (DV6FD))	Diesel	FWD	1560	73	99	07.17-08.18	■
1.6 BlueHdi 115 (2CBHXH) (BHX (DV6FC))	Diesel	FWD	1560	85	115	06.17-05.18	■
1.6 BlueHdi 120 (2CBHZH) (BHZ (DV6FC))	Diesel	FWD	1560	88	120	07.17-05.18	■
<b>C3 III Van (SX_, SY_) 07.16-</b>							<b>Hatchback Van (Supermini car-B Segment)</b>
1.2 VTi	Gasolina	FWD	1199	60	82	07.16-	■
BlueHdi 75 (BHW (DV6FE))	Diesel	FWD	1560	55	75	03.19-	■

# LISTA DE APLICACIONES - BUYERS GUIDE

<b>C4 (LA_) 11.04-12.13</b>						<b>Coupe (Compact car-C Segment)</b>			
1.4 16V (KFU (ET3J4))	vehicles without ESP	Gasolina	FWD	1360	65	88	11.04-07.11	■	
1.6 16V (NFU (TU5JP4))	vehicles without ESP	Gasolina	FWD	1587	80	109	11.04-07.11	■	
1.6 THP (5FT (EP6DT))		Gasolina	FWD	1598	103	140	06.08-07.11	■	
2.0 16V (RFN (EW10J4))		Gasolina	FWD	1997	100	136	11.04-07.07	■	
2.0 VTR (RFJ (EW10A))		Gasolina	FWD	1997	103	140	10.06-12.07	■	
2.0 16V (RFK (EW10J4S))		Gasolina	FWD	1997	130	177	11.04-12.10	■	
1.6 HDi (9HX (DV6ATED4))	vehicles without ESP	Diesel	FWD	1560	66	90	11.04-07.11	■	
1.6 HDi (9HY (DV6TED4))	vehicles without ESP	Diesel	FWD	1560	80	109	11.04-07.11	■	
1.6 HDi (9HZ (DV6TED4))	vehicles without ESP	Diesel	FWD	1560	80	109	11.04-07.11	■	
2.0 HDi (RHR (DW10BTED4))		Diesel	FWD	1997	100	136	11.04-12.10	■	
<b>C4 (LR_) 02.05-12.10</b>						<b>Hatchback Van (Compact car-C Segment)</b>			
2.0 HDi (RHR (DW10BTED4))		Diesel	FWD	1997	100	136	02.05-12.10	■	
<b>C4 (LC_) 11.04-12.14</b>						<b>Hatchback (Compact car-C Segment)</b>			
1.4 16V (KFU (ET3J4))		Gasolina	FWD	1360	65	88	11.04-07.11	■	
1.6 16V (NFU (TU5JP4))	09/06-, ch- 10885	Gasolina	FWD	1587	80	109	11.04-07.11	■	
2.0 16V (RFN (EW10J4))		Gasolina	FWD	1997	100	136	11.04-07.07	■	
2.0 16V (RFJ (EW10A))		Gasolina	FWD	1997	103	140	11.04-07.11	■	
2.0 16V (RFJ (EW10A))		Gasolina	FWD	1997	105	143	09.06-07.09	■	
2.0 16V (RFK (EW10J4S))		Gasolina	FWD	1997	130	177	11.04-07.08	■	
1.6 16V Bio-Flex (NFU (TU5JP4))	vehicles without ESP	Gasol./Etanol	FWD	1587	80	109	09.07-07.08	■	
1.6 HDi (9HX (DV6ATED4))		Diesel	FWD	1560	66	90	11.04-07.11	■	
1.6 HDi (9HY (DV6TED4))	vehicles without ESP	Diesel	FWD	1560	80	109	11.04-07.11	■	
1.6 HDi (9HZ (DV6TED4))	vehicles without ESP	Diesel	FWD	1560	80	109	11.04-07.11	■	
1.6 HDi		Diesel	FWD	1560	80	109	04.10-11.12	■	
1.6 HDi		Diesel	FWD	1560	84	114	04.10-11.12	■	
1.6 HDi		Diesel	FWD	1560	85	116	07.06-07.11	■	
2.0 HDi (RHZ (DW10ATED))		Diesel	FWD	1997	81	110	04.07-07.08	■	
<b>C4 CACTUS 09.14-</b>						<b>Hatchback (Compact SUV-J Segment)</b>			
1.2 VTi 75 / PureTech 75 (HMU (EB2D))		Gasolina	FWD	1199	55	75	09.14-	■	
1.2 VTi 75 / PureTech 75 (HMU (EB2FD))		Gasolina	FWD	1199	55	75	09.14-	■	
1.2 VTi 82 (HMZ (EB2F))		Gasolina	FWD	1199	60	82	09.14-	■	
1.2 THP 110 (HNP (EB2ADT))		Gasolina	FWD	1199	81	110	09.14-	■	
1.2 THP 110 (HNV (EB2DTM))		Gasolina	FWD	1199	81	110	09.14-	■	
1.2 THP 110 (HNZ (EB2DT))		Gasolina	FWD	1199	81	110	09.14-	■	
1.2 PureTech 130 (HNS (EB2ADTS))		Gasolina	FWD	1199	96	131	11.17-	■	
1.2 PureTech 130 (HNY (EB2DTS))		Gasolina	FWD	1199	96	131	11.17-	■	
1.6 HDi 90 (9HJ (DV6DTEDM))		Diesel	FWD	1560	68	92	09.14-	■	
1.6 HDi 90 (9HP (DV6D))		Diesel	FWD	1560	68	92	09.14-	■	
1.6 HDi 90 (9HP (DV6DTE))		Diesel	FWD	1560	68	92	09.14-	■	
1.6 BlueHdi 100 (BHY (DV6FD))		Diesel	FWD	1560	73	99	09.14-06.18	■	
<b>C4 / C4 PALLAS 07.06-</b>						<b>Saloon (Compact car-C Segment)</b>			
1.6 16V (NFU (TU5JP4))		Gasolina	FWD	1587	80	109	07.06-07.11	■	
2.0 16V		Gasolina	FWD	1997	101	138	06.07-11.14	■	
2.0 16V (RFJ (EW10A))		Gasolina	FWD	1997	103	140	07.06-07.11	■	
2.0 Exclusive 16V (RFJ (EW10A))		Gasolina	FWD	1997	105	143	07.07-11.14	■	
1.6 HDi		Diesel	FWD	1560	80	109	04.10-11.12	■	
1.6 HDi		Diesel	FWD	1560	84	114	04.10-11.12	■	

# LISTA DE APLICACIONES - BUYERS GUIDE

1.6 HDi		Diesel	FWD	1560	85	116	07.06-08.13	■
<b>C4 Grand Picasso (UA_) 10.06-</b>				<b>MPV (Large MPV-M1 Segment)</b>				
1.8 i 16V (6FY (EW7A))		Gasolina	FWD	1749	92	125	10.06-12.10	■
2.0 i 16V (RFJ (EW10A))		Gasolina	FWD	1997	103	140	10.06-08.13	■
1.6 HDi (9HY (DV6TED4))		Diesel	FWD	1560	80	109	10.06-06.11	■
1.6 HDi (9HZ (DV6TED4))		Diesel	FWD	1560	80	109	10.06-06.11	■
2.0 HDi 138 (RHJ (DW10BTED4))		Diesel	FWD	1997	100	136	10.06-12.13	■
2.0 HDi 138 (RHR (DW10BTED4))		Diesel	FWD	1997	100	136	10.06-12.13	■
<b>C4 Picasso (UD_) 10.06-12.15</b>				<b>MPV (Compact MPV-M1 Segment)</b>				
1.8 i 16V (6FY (EW7A))		Gasolina	FWD	1749	92	125	02.07-12.11	■
2.0 i 16V (RFJ (EW10A))		Gasolina	FWD	1997	103	140	09.07-08.13	■
1.8 Bifuel (6FY (EW7A))		Gasol./Etanol	FWD	1749	92	125	01.09-10.12	■
1.6 HDi 110 (9HR (DV6C))		Diesel	FWD	1560	82	112	09.10-08.13	■
2.0 HDi 138 (RHJ (DW10BTED4))		Diesel	FWD	1997	100	136	10.06-08.13	■
2.0 HDi 138 (RHR (DW10BTED4))		Diesel	FWD	1997	100	136	10.06-08.13	■
<b>DS3 01.13-07.15</b>				<b>Convertible (Supermini car-B Segment)</b>				
1.2 THP 110 (HNZ (EB2DT))		Gasolina	FWD	1199	81	110	10.14-07.15	■
1.6 THP 165 (5FM (EP6DT))		Gasolina	FWD	1598	120	163	02.15-07.15	■
1.6 THP 165 (5GZ (EP6FDT))		Gasolina	FWD	1598	121	165	10.14-07.15	■
1.6 Racing (5FF (EP6DTS))		Gasolina	FWD	1598	149	203	03.14-07.15	■
1.6 Racing (5FD (EP6DTS))		Gasolina	FWD	1598	152	207	03.14-07.15	■
1.6 BlueHDi 100 (BHY (DV6FD))		Diesel	FWD	1560	73	99	07.14-07.15	■
1.6 BlueHDi 100 (BHY (DV6FD))		Diesel	FWD	1560	75	102	07.14-07.15	■
1.6 BlueHDi 115 (BHX (DV6FC))		Diesel	FWD	1560	85	115	10.13-07.15	■
1.6 BlueHDi 120 (BHZ (DV6FC))		Diesel	FWD	1560	88	120	07.14-07.15	■
<b>DS3 (SA_) 11.09-12.16</b>				<b>Hatchback (Supermini car-B Segment)</b>				
1.2 THP 110 (HNZ (EB2DT))		Gasolina	FWD	1199	81	110	10.14-03.15	■
1.6 THP160 (5FM (EP6DT))		Gasolina	FWD	1598	120	163	01.12-07.15	■
1.6 THP 165 (5GZ (EP6FDT))		Gasolina	FWD	1598	121	165	10.14-06.15	■
1.6 Racing (5FF (EP6DTS))		Gasolina	FWD	1598	149	203	02.11-07.15	■
1.6 Racing (5FD (EP6DTS))		Gasolina	FWD	1598	152	207	02.11-07.15	■
1.6 BlueHDi 75 (BHW (DV6FE))		Diesel	FWD	1560	55	75	03.15-07.15	■
1.6 BlueHDi 100 (BHY (DV6FD))		Diesel	FWD	1560	73	99	07.14-07.15	■
<b>DS</b>								
<b>DS 3 (SB_) 07.15-</b>				<b>Convertible (City car-A Segment)</b>				
1.2 VTI 82 (HMZ (EB2F))		Gasolina	FWD	1199	60	82	07.15-07.19	■
1.2 THP 110 (HNP (EB2ADT))		Gasolina	FWD	1199	81	110	07.15-07.19	■
1.2 THP 110 (HNZ (EB2DT))		Gasolina	FWD	1199	81	110	07.15-07.19	■
1.2 THP 130 (HNY (EB2DTS))		Gasolina	FWD	1199	96	130	09.15-07.19	■
1.6 THP (SB5GWM) (5GX (EP6FDTMD))		Gasolina	FWD	1598	110	150	07.15-07.19	■
1.6 THP (5GZ (EP6FDT))		Gasolina	FWD	1598	120	163	07.15-07.19	■
1.6 THP 165 (5GZ (EP6FDT))		Gasolina	FWD	1598	121	165	07.15-07.19	■
1.6 THP 208 (5GR (EP6FDTX))		Gasolina	FWD	1598	153	208	09.15-07.19	■
1.6 BlueHDi 100 (BHY (DV6FD))		Diesel	FWD	1560	73	99	07.15-07.19	■
1.6 BlueHDi 116 (BHX (DV6FC))		Diesel	FWD	1560	85	116	07.15-07.19	■
1.6 BlueHDi 120 (BHZ (DV6FC))		Diesel	FWD	1560	88	120	07.15-07.19	■
<b>DS 3 (SA_) 04.15-</b>				<b>Hatchback (City car-A Segment)</b>				
1.2 THP 110 / PureTech 110 (SAHNPS, SAHNZ6, SAHNZT) (HNP (EB2ADT))		Gasolina	FWD	1199	81	110	04.15-07.19	■

# LISTA DE APLICACIONES - BUYERS GUIDE

1.2 THP 110 / PureTech 110 (SAHNPS, SAHNZ6, SAHNZT) (HNZ (EB2DT))	Gasolina	FWD	1199	81	110	04.15-07.19	■	
1.2 THP 130 (SAHNYM) (HNY (EB2DTS))	Gasolina	FWD	1199	96	130	09.15-07.19	■	
1.6 THP (SA5GWM) (5GW (EP6FDT))	Gasolina	FWD	1598	110	150	07.15-07.19	■	
1.6 THP (SA5GZM) (5GZ (EP6FDT))	Gasolina	FWD	1598	120	163	07.15-07.19	■	
1.6 THP 165 (SA5GZM) (5GZ (EP6FDT))	Gasolina	FWD	1598	121	165	07.15-07.19	■	
1.6 THP 208 (SA5GRM) (5GR (EP6FDTX))	Gasolina	FWD	1598	153	208	09.15-07.19	■	
1.4 HDi 70 (SA8HR4, SA8HP4)	Diesel	FWD	1398	50	68	07.15-12.16	■	
1.6 BlueHDi 75 (SABHW6) (BHW (DV6FE))	Diesel	FWD	1560	55	75	07.15-07.19	■	
1.6 BlueHDi 100 (SABHY0, SABHYT) (BHY (DV6FD))	Diesel	FWD	1560	73	99	04.15-07.19	■	
1.6 BlueHDi 116 (SABHXM) (BHX (DV6FC))	Diesel	FWD	1560	85	116	07.15-07.19	■	
1.6 BlueHDi 120 (SABHZM) (BHZ (DV6FC))	Diesel	FWD	1560	88	120	07.15-07.19	■	
<b>OPEL</b>								
<b>CROSSLAND X (P17, P2QO) 03.17-</b>					<b>SUV (Subcompact SUV-B Segment)</b>			
1.2 (75) (B 12 XE (EB2F))	Gasolina	FWD	1199	60	82	03.17-	■	
1.2 (75) (D 12 XE (EB2FA))	Gasolina	FWD	1199	60	82	03.17-	■	
1.2 (75) (B 12 XHL (EB2DT))	Gasolina	FWD	1199	81	110	03.17-	■	
1.2 (75) (D 12 XHL (EB2ADT))	Gasolina	FWD	1199	81	110	03.17-	■	
1.2 (75) (F 12 XHL)	Gasolina	FWD	1199	81	110	03.17-	■	
1.2 (75) (B 12 XHT (EB2DTS))	Gasolina	FWD	1199	96	131	03.17-	■	
1.2 (75) (D 12 XHT (EB2ADTS))	Gasolina	FWD	1199	96	131	03.17-	■	
1.2 (75) (F 12 XHT (EB2ADTS))	Gasolina	FWD	1199	96	131	03.17-	■	
1.2 LPG (75) (B 12 XE (EB2F))	Gasol./Gas (LPG)	FWD	1199	60	82	10.17-	■	
1.6 Turbo D(75) (B 16 DT (DV6FD))	Diesel	FWD	1560	73	99	03.17-05.18	■	
1.6 Turbo D(75) (B 16 DTH (DV6FC))	Diesel	FWD	1560	85	116	08.17-04.19	■	
1.6 Turbo D(75) (B 16 DTH (DV6FC))	Diesel	FWD	1560	88	120	03.17-05.18	■	
<b>PEUGEOT</b>								
<b>2008 (CU_) 03.13-</b>					<b>SUV (Compact SUV-J Segment)</b>			
1.2 VTi (HMZ (EB2))	Gasolina	FWD	1199	60	82	03.13-12.18	■	
1.2 VTi (HMZ (EB2F))	Gasolina	FWD	1199	60	82	03.13-12.18	■	
1.2 THP 110 / PureTech 110 (SAHNPS, SAHNZ6, SAHNZT) (HNP (EB2ADT))	Gasolina	FWD	1199	81	110	01.15-	■	
1.2 THP 110 / PureTech 110 (SAHNPS, SAHNZ6, SAHNZT) (HNV (EB2DTM))	Gasolina	FWD	1199	81	110	01.15-	■	
1.2 THP 110 / PureTech 110 (SAHNPS, SAHNZ6, SAHNZT) (HNZ (EB2DT))	Gasolina	FWD	1199	81	110	01.15-	■	
1.2 THP 130 / PureTech 130 (HNS (EB2ADTS))	Gasolina	FWD	1199	96	130	01.15-11.19	■	
1.2 THP 130 / PureTech 130 (HNY (EB2DTS))	Gasolina	FWD	1199	96	130	01.15-11.19	■	
1.6 VTi (5FS (EP6C))	Gasolina	FWD	1598	85	116	05.13-	■	
1.6 VTi (5FS (EP6C))	Gasolina	FWD	1598	88	120	03.13-	■	
1.6 THP 165 (5GY (EP6FDTM))	Gasolina	FWD	1598	121	165	02.16-	■	
1.6 THP 165 (5GZ (EP6FDT))	Gasolina	FWD	1598	121	165	02.16-	■	
1.4 HDi (8HR (DV4C))	Diesel	FWD	1398	50	68	06.13-	■	
1.6 BlueHDi 75 (BHW (DV6FE))	Diesel	FWD	1560	55	75	01.15-11.19	■	
1.6 HDi (9HP (DV6DTE))	Diesel	FWD	1560	68	92	03.13-	■	
1.6 BlueHDi 100 (BHY (DV6FD))	Diesel	FWD	1560	73	100	01.15-11.19	■	
1.6 HDi (9HD (DV6C))	Diesel	FWD	1560	84	114	03.13-	■	
1.6 BlueHDi (BHX (DV6FC))	Diesel	FWD	1560	85	116	07.14-	■	
1.6 BlueHDi 120 (BHZ (DV6FC))	Diesel	FWD	1560	88	120	07.14-04.18	■	
<b>207 (WA_, WC_) 04.06-</b>					<b>Hatchback Van (LCVs-N1 Segment)</b>			
1.6 VTi (5FW (EP6))	Gasolina	FWD	1598	88	120	03.07-12.12	■	

# LISTA DE APLICACIONES - BUYERS GUIDE

1.6 HDi (9HX (DV6ATED4))		Diesel	FWD	1560	66	90	04.07-10.12	■	
1.6 HDi (9HP (DV6DTED))		Diesel	FWD	1560	68	92	11.09-03.13	■	
1.6 HDi (9HZ (DV6TED4))		Diesel	FWD	1560	80	109	04.06-12.12	■	
<b>207 (WA_, WC_) 02.06-</b>							<b>Hatchback (Supermini car-B Segment)</b>		
1.4 (KFV (TU3A))		Gasolina	FWD	1360	53	72	02.06-10.13	■	
1.4 16V (KFU (ET3J4))		Gasolina	FWD	1360	65	88	02.06-10.13	■	
1.4 16V (8FS (EP3))		Gasolina	FWD	1397	70	95	06.07-10.13	■	
1.4 16V (EP3)		Gasolina	FWD	1397	70	95	06.07-10.13	■	
1.4 16V (EP3C)		Gasolina	FWD	1397	70	95	06.07-10.13	■	
1.6 16V		Gasolina	FWD	1587	79	106	08.08-12.13	■	
1.6 16V (NFU (TU5JP4))		Gasolina	FWD	1587	80	109	02.06-10.13	■	
1.6 (N6A (TU5JP4))		Gasolina	FWD	1587	81	110	08.08-12.13	■	
1.6 16V VTi (EP6)		Gasolina	FWD	1598	81	110	09.08-12.12	■	
1.6 16V VTi (5FS (EP6C))		Gasolina	FWD	1598	88	120	02.07-12.12	■	
1.6 16V VTi (5FW (EP6))		Gasolina	FWD	1598	88	120	02.07-12.12	■	
1.6 16V VTi (EP6)		Gasolina	FWD	1598	88	120	02.07-12.12	■	
1.6 16V Turbo (5FX (EP6DT))		Gasolina	FWD	1598	110	150	02.06-10.13	■	
1.6 16V Turbo (5FR (EP6DT))		Gasolina	FWD	1598	115	156	10.09-12.12	■	
1.6 16V RC (5FY (EP6DTS))		Gasolina	FWD	1598	128	174	02.07-12.12	■	
1.6 Flex (N6A (TU5JP4))		Gasol./Etanol	FWD	1587	83	113	08.08-12.13	■	
1.4 HDi (8HR (DV4C))		Diesel	FWD	1398	50	68	02.06-12.15	■	
1.4 HDi (8HZ (DV4TD))		Diesel	FWD	1398	50	68	02.06-12.15	■	
1.4 HDi (8HZ (DV4TD))		Diesel	FWD	1398	52	70	02.11-12.15	■	
1.6 HDi (9HV (DV6TED4B))		Diesel	FWD	1560	66	90	02.06-10.13	■	
1.6 HDi (9HV (DV6TED4BU))		Diesel	FWD	1560	66	90	02.06-10.13	■	
1.6 HDi (9HX (DV6ATED4))		Diesel	FWD	1560	66	90	02.06-10.13	■	
1.6 HDi (9HP (DV6DTED))		Diesel	FWD	1560	68	92	11.09-12.12	■	
1.6 HDi (9HY (DV6TED4))		Diesel	FWD	1560	80	109	02.06-10.13	■	
1.6 HDi (9HZ (DV6TED4))		Diesel	FWD	1560	80	109	02.06-10.13	■	
1.6 HDi 110 (9HR (DV6C))		Diesel	FWD	1560	82	112	08.09-12.12	■	
1.9 D		Diesel	FWD	1868	51	69	10.08-12.12	■	
2.0 HDi		Diesel	FWD	1997	66	90	10.08-12.12	■	
<b>207 CC (WD_) 02.07-</b>							<b>Convertible (Supermini car-B Segment)</b>		
1.6 16V (5FS (EP6C))		Gasolina	FWD	1598	88	120	02.07-10.13	■	
1.6 16V (5FW (EP6))		Gasolina	FWD	1598	88	120	02.07-10.13	■	
1.6 16V (EP6)		Gasolina	FWD	1598	88	120	02.07-10.13	■	
1.6 16V Turbo (5FX (EP6DT))		Gasolina	FWD	1598	110	150	02.07-12.12	■	
1.6 16V Turbo (5FR (EP6DT))		Gasolina	FWD	1598	115	156	10.09-12.13	■	
1.6 16V Turbo (5FV (EP6CDT))		Gasolina	FWD	1598	115	156	10.09-12.13	■	
1.6 HDi (9HZ (DV6TED4))		Diesel	FWD	1560	80	109	02.07-01.15	■	
1.6 HDi (9HR (DV6C))		Diesel	FWD	1560	82	112	08.09-10.13	■	
<b>207 SW (WK_) 08.07-12.12</b>							<b>Estate Van (Supermini car-B Segment)</b>		
1.6 HDi (9HX (DV6ATED4))		Diesel	FWD	1560	66	90	08.07-12.12	■	
1.6 HDi (9HZ (DV6TED4))		Diesel	FWD	1560	80	109	08.07-12.12	■	
<b>207 SW (WK_) 02.07-</b>							<b>Estate (Supermini car-B Segment)</b>		
1.4 (KFT (TU3A))		Gasolina	FWD	1360	54	73	06.07-12.12	■	
1.4 (KFV (TU3A))		Gasolina	FWD	1360	54	73	06.07-12.12	■	
1.4 16V (8FS (EP3))		Gasolina	FWD	1397	70	95	06.07-10.13	■	
1.4 16V (EP3)		Gasolina	FWD	1397	70	95	06.07-10.13	■	

# LISTA DE APLICACIONES - BUYERS GUIDE

1.4 16V (EP3C)		Gasolina	FWD	1397	70	95	06.07-10.13	■	
1.6		Gasolina	FWD	1587	81	110	08.08-12.12	■	
1.6 16V (5FS (EP6C))		Gasolina	FWD	1598	88	120	06.07-10.13	■	
1.6 16V (5FW (EP6))		Gasolina	FWD	1598	88	120	06.07-10.13	■	
1.6 16V (EP6)		Gasolina	FWD	1598	88	120	06.07-10.13	■	
1.6 16V Turbo (5FX (EP6DT))		Gasolina	FWD	1598	110	150	02.07-12.12	■	
1.6 Flex		Gasol./Etanol	FWD	1587	83	113	08.08-12.13	■	
1.6 HDi (9HV (DV6TED4B))		Diesel	FWD	1560	66	90	06.07-12.12	■	
1.6 HDi (9HV (DV6TED4BU))		Diesel	FWD	1560	66	90	06.07-12.12	■	
1.6 HDi (9HP (DV6DTED))		Diesel	FWD	1560	68	92	11.09-12.13	■	
1.6 HDi (9HZ (DV6TED4))		Diesel	FWD	1560	80	109	06.07-12.12	■	
1.6 HDi (9HR (DV6C))		Diesel	FWD	1560	82	112	08.09-10.13	■	
2.0 HDi		Diesel	FWD	1997	66	90	10.08-12.12	■	
<b>208 (CR_) 02.13-12.19</b>							<b>Hatchback Van (LCVs-N1 Segment)</b>		
1.2 VTI 68 / PureTech 68 (CRHMP6, CRHMM6) (HMM (EB2FAD))		Gasolina	FWD	1199	50	68	06.15-12.19	■	
1.2 VTI 68 / PureTech 68 (CRHMP6, CRHMM6) (HMP (EB2FB))		Gasolina	FWD	1199	50	68	06.15-12.19	■	
1.2 VTI 82 / PureTech 82 (CRHMZ6, CRHMRP) (HMR (EB2FA))		Gasolina	FWD	1199	60	82	06.15-12.19	■	
1.2 VTI 82 / PureTech 82 (CRHMZ6, CRHMRP) (HMZ (EB2))		Gasolina	FWD	1199	60	82	06.15-12.19	■	
1.2 VTI 82 / PureTech 82 (CRHMZ6, CRHMRP) (HMZ (EB2F))		Gasolina	FWD	1199	60	82	06.15-12.19	■	
1.6 BlueHDi 100 (BHY (DV6FD))		Diesel	FWD	1560	73	99	06.15-12.19	■	
<b>208 (CA_, CC_) 03.12-</b>							<b>Hatchback (Supermini car-B Segment)</b>		
1.2 VTI 68 / PureTech 68 (HMM (EB2FAD))		Gasolina	FWD	1199	50	68	08.16-12.19	■	
1.2 VTI 68 / PureTech 68 (HMP (EB2FB))		Gasolina	FWD	1199	50	68	08.16-12.19	■	
1.2 PureTech 82 (HMR (EB2FA))		Gasolina	FWD	1199	61	82	03.18-12.19	■	
1.2 PureTech 82 (HMZ (EB2F))		Gasolina	FWD	1199	61	82	03.18-12.19	■	
1.6 (EC5F)		Gasolina	FWD	1587	85	116	01.13-12.19	■	
1.6 THP 165 (5GZ (EP6FDT))		Gasolina	FWD	1598	121	165	03.15-12.19	■	
1.6 GTi (CA5FU8) (5FU (EP6CDTX))		Gasolina	FWD	1598	147	200	08.12-12.19	■	
1.6 GTi (5GR (EP6FDTX))		Gasolina	FWD	1598	153	208	10.14-12.19	■	
1.4 GPL (EP3C)		Gasol./Gas (LPG)	FWD	1397	70	95	10.13-12.19	■	
1.5 Flex		Gasol./Etanol	FWD	1449	68	92	01.13-12.16	■	
1.6 BlueHDi 100 (BHY (DV6FD))		Diesel	FWD	1560	73	100	01.15-12.19	■	
1.6 e-HDi (9HR (DV6C))		Diesel	FWD	1560	82	112	07.15-12.19	■	
1.6 HDi (BHX (DV6FC))		Diesel	FWD	1560	85	116	01.15-12.19	■	
1.6 BlueHDi 120 (BHZ (DV6FC))		Diesel	FWD	1560	88	120	01.15-12.19	■	
<b>307 (3B) 03.03-06.09</b>							<b>Convertible (Compact car-C Segment)</b>		
2.0 16V		Gasolina	FWD	1997	105	143	10.05-04.09	■	
2.0 16V (RFK (EW10J4S))	01/04-	Gasolina	FWD	1997	130	177	10.03-04.09	■	
2.0 16V (RFK (EW10J4S))		Gasolina	FWD	1997	132	180	04.05-06.09	■	
2.0 HDi 135 (RHR (DW10BTED4))		Diesel	FWD	1997	100	136	06.05-04.09	■	
<b>307 (3E) 03.02-</b>							<b>Estate (Compact car-C Segment)</b>		
1.4 (KFW (TU3JP))		Gasolina	FWD	1360	55	75	04.02-09.03	■	
1.4 16V (KFU (ET3J4))	01/04-	Gasolina	FWD	1360	65	88	11.03-07.07	■	
1.6 16V (NFU (TU5JP4))	01/04-	Gasolina	FWD	1587	80	109	03.02-04.08	■	
2.0 (RFN (EW10J4))	01/04-	Gasolina	FWD	1997	100	136	03.02-06.05	■	
2.0 16V (RFJ (EW10A))		Gasolina	FWD	1997	103	140	03.05-04.08	■	

# LISTA DE APLICACIONES - BUYERS GUIDE

2.0 16V (RFK (EW10J4S))		Gasolina	FWD	1997	130	177	06.05-04.08	■
1.4 HDi (8HZ (DV4TD))		Diesel	FWD	1398	50	68	03.02-06.05	■
1.6 HDi (9HV (DV6TED4B))		Diesel	FWD	1560	66	90	04.05-04.08	■
1.6 HDi (9HV (DV6TED4BU))		Diesel	FWD	1560	66	90	04.05-04.08	■
1.6 HDi (9HX (DV6ATED4))		Diesel	FWD	1560	66	90	04.05-04.08	■
1.6 HDi (9HX (DV6AUTED4))		Diesel	FWD	1560	66	90	04.05-04.08	■
1.6 HDi 110 (9HY (DV6TED4))		Diesel	FWD	1560	80	109	02.04-04.08	■
1.6 HDi 110 (9HZ (DV6TED4))		Diesel	FWD	1560	80	109	02.04-04.08	■
2.0 HDI 90 (RHY (DW10TD))	01/04-	Diesel	FWD	1997	66	90	03.02-04.08	■
2.0 HDi 135 (RHR (DW10BTED4))		Diesel	FWD	1997	100	136	02.04-04.08	■
<b>307 (3A/C) 08.00-</b>				<b>Hatchback (Compact car-C Segment)</b>				
1.4 (KFW (TU3JP))		Gasolina	FWD	1360	55	75	08.00-09.03	■
1.4 16V (KFU (ET3J4))	01/04-	Gasolina	FWD	1360	65	88	11.03-07.07	■
1.6 16V (NFU (TU5JP4))	01/04-	Gasolina	FWD	1587	80	109	08.00-11.07	■
1.6 (NFU (TU5JP4))		Gasolina	FWD	1587	81	110	07.06-04.12	■
2.0 16V (RFN (EW10J4))	01/04-	Gasolina	FWD	1997	100	136	08.00-06.05	■
2.0 16V (RFJ (EW10A))		Gasolina	FWD	1997	103	140	03.05-11.07	■
2.0 (RFJ (EW10A))		Gasolina	FWD	1997	105	143	08.08-12.11	■
2.0 (RFN (EW10J4))		Gasolina	FWD	1997	105	143	08.08-12.11	■
2.0 16V (RFK (EW10J4S))		Gasolina	FWD	1997	130	177	06.05-11.07	■
1.6 Flex (N6A (TU5JP4))		Gasol./Etanol	FWD	1587	83	113	07.06-12.12	■
1.4 HDi (8HX (DV4TD))	01/04-	Diesel	FWD	1398	50	68	10.01-06.05	■
1.4 HDi (8HZ (DV4TD))	01/04-	Diesel	FWD	1398	50	68	10.01-06.05	■
1.6 HDi 110 (9HY (DV6TED4))		Diesel	FWD	1560	80	109	02.04-03.09	■
1.6 HDi 110 (9HZ (DV6TED4))		Diesel	FWD	1560	80	109	02.04-03.09	■
2.0 HDI 90 (RHY (DW10TD))	01/04-	Diesel	FWD	1997	66	90	08.00-03.07	■
2.0 HDi 135 (RHR (DW10BTED4))		Diesel	FWD	1997	100	136	10.03-11.07	■
<b>307 01.01-</b>				<b>Saloon (Compact car-C Segment)</b>				
1.6		Gasolina	FWD	1587	81	110	08.06-12.12	■
2.0		Gasolina	FWD	1997	103	140	09.06-12.08	■
2.0		Gasolina	FWD	1997	105	143	03.04-04.09	■
2.0 HDi		Diesel	FWD	1997	80	109	09.06-03.12	■
<b>307 SW (3E_, 3H_) 04.02-12.09</b>				<b>Estate Van (Compact car-C Segment)</b>				
1.4 HDi (8HZ (DV4TD))		Diesel	FWD	1398	51	69	04.02-06.05	■
1.6 HDi (9HX (DV6ATED4))		Diesel	FWD	1560	66	90	04.06-10.08	■
2.0 HDi (RHY (DW10TD))		Diesel	FWD	1997	66	90	04.03-04.08	■
2.0 HDi (RHZ (DW10ATED))		Diesel	FWD	1997	79	107	01.03-12.09	■
2.0 HDi (RHR (DW10BTED4))		Diesel	FWD	1997	100	136	04.04-11.07	■
<b>307 SW (3H) 03.02-</b>				<b>Estate (Compact car-C Segment)</b>				
1.4 (KFW (TU3JP))		Gasolina	FWD	1360	55	75	04.02-09.03	■
1.4 16V (KFU (ET3J4))	01/04-	Gasolina	FWD	1360	65	88	11.03-07.07	■
2.0 16V (RFJ (EW10A))		Gasolina	FWD	1997	105	143	10.05-12.09	■
1.4 HDi 70		Diesel	FWD	1398	50	68	03.02-06.05	■
1.4 HDi		Diesel	RWD	1398	51	69	04.02-06.05	■
<b>408 02.10-</b>				<b>Saloon (Compact car-C Segment)</b>				
1.6 (EC5F)		Gasolina	FWD	1587	85	116	01.12-	■
1.6 16V		Gasolina	FWD	1598	80	109	02.10-	■
1.6 VTi (5FS (EP6C))		Gasolina	FWD	1598	88	120	01.12-	■
1.6 THP 150 (5FE (EP6CDTMD))		Gasolina	FWD	1598	110	150	01.11-	■

# LISTA DE APLICACIONES - BUYERS GUIDE

1.6 THP160		Gasolina	FWD	1598	120	163	01.11-	■
1.6		Gasolina	FWD	1598	121	165	02.12-12.16	■
2.0 16V		Gasolina	FWD	1997	108	147	02.10-	■
2.0 Flex		Gasol./Etanol	FWD	1997	111	151	03.11-12.16	■
1.6 HDi		Diesel	FWD	1560	82	112	01.12-	■
1.6 HDi (9HD (DV6C))		Diesel	FWD	1560	84	114	11.16-	■
1.6 HDi (9HL (DV6C))		Diesel	FWD	1560	85	116	11.10-	■

## VAUXHALL

### CROSSLAND X (P17) 03.17-

### SUV (Subcompact SUV-B Segment)

1.2 (75) (B 12 XE (EB2F))		Gasolina	FWD	1199	61	83	03.17-	■
1.2 (75) (D 12 XE (EB2FA))		Gasolina	FWD	1199	61	83	03.17-	■
1.2 (75) (B 12 XHL (EB2DT))		Gasolina	FWD	1199	81	110	03.17-	■
1.2 (75) (B 12 XHT (EB2DTS))		Gasolina	FWD	1199	81	110	03.17-	■
1.2 (75) (D 12 XHL (EB2ADT))		Gasolina	FWD	1199	81	110	03.17-	■
1.2 (75) (B 12 XHT (EB2DTS))		Gasolina	FWD	1199	96	131	03.17-	■
1.2 (75) (D 12 XHT (EB2ADTS))		Gasolina	FWD	1199	96	131	03.17-	■
1.2 (75) (F 12 XHT (EB2ADTS))		Gasolina	FWD	1199	96	131	03.17-	■
1.6 Turbo D(75) (B 16 DT (DV6FD))		Diesel	FWD	1560	73	99	03.17-05.18	■
1.6 Turbo D(75) (B 16 DTH (DV6FC))		Diesel	FWD	1560	88	120	03.17-05.18	■