

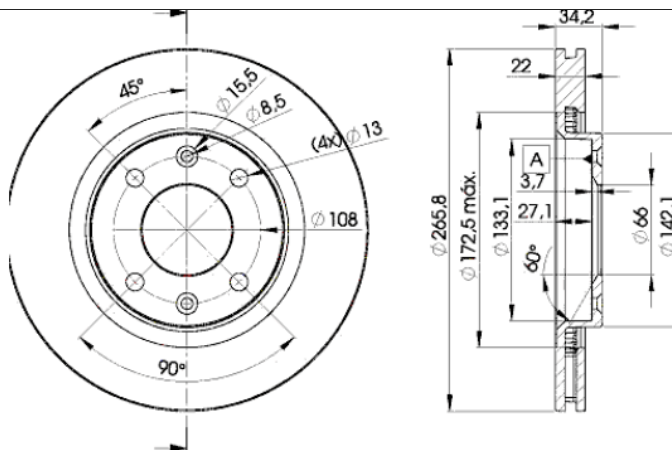
LISTA DE APLICACIONES - BUYERS GUIDE

78BD4750-2



Weight: 10.372

O.E.M.	MAKE
16 188 904 80	CITROËN
16 290 588 80	CITROËN
4246.W1	CITROËN
4246.W7	PEUGEOT
4249.15	PEUGEOT
4249.16	CITROËN



78BD4750-2

E1 90R-02C0433/0013



Ø266x22x34

MAKE
CITROËN
DS
FENGSHEN
OPEL
PEUGEOT
VAUXHALL



Trac.	CC	Kw	CV
-------	----	----	----



Front / Rear

CITROËN

							Box Body/MPV (LCVs-N1 Segment)			
BERLINGO II (B9) 04.08-										
1.6 (NFU (TU5JP4))		Gasolina	FWD	1587	80	109	04.08-12.18	■		
BERLINGO II MULTISPACE (B9) 04.08-							MPV (Large MPV-M1 Segment)			
1.6 (NFU (TU5JP4))		Gasolina	FWD	1587	80	109	04.08-12.18	■		
BERLINGO / BERLINGO FIRST (M_) 07.96-12.11							Box Body/MPV (LCVs-N1 Segment)			
1.1 i (MAHDZ, MBHDZ, MBHFX) (HDZ (TU1M))	10/02-, vehicles without ESP	Gasolina	FWD	1124	44	60	07.96-03.08	■		
1.1 i (MAHDZ, MBHDZ, MBHFX) (HFX (TU1JP))	10/02-, vehicles without ESP	Gasolina	FWD	1124	44	60	07.96-03.08	■		
1.4 CNG		Gasolina	FWD	1360	48	65	11.02-03.08	■		
1.4 i (MBKFX, MBKFW) (KFW (TU3A))	10/02-, vehicles without ESP	Gasolina	FWD	1360	55	75	07.96-12.11	■		
1.4 i (MBKFX, MBKFW) (KFW (TU3JP))	10/02-, vehicles without ESP	Gasolina	FWD	1360	55	75	07.96-12.11	■		
1.4 i (MBKFX, MBKFW) (KFX (TU3JP))	10/02-, vehicles without ESP	Gasolina	FWD	1360	55	75	07.96-12.11	■		
1.4 i (KFW (TU3JP))		Gasolina	FWD	1360	57	77	08.99-05.08	■		
1.4 i (KFX (TU3JP))		Gasolina	FWD	1360	57	77	08.99-05.08	■		
1.6 16V (MBNFU) (NFU (TU5JP4))	10/02-, vehicles without ESP	Gasolina	FWD	1587	80	109	10.00-03.08	■		
1.6 16V (NFU (TU5JP4))		Gasolina	FWD	1587	81	110	08.05-12.07	■		
1.8 i (LFX (XU7JB))		Gasolina	FWD	1761	66	90	05.98-10.02	■		
1.4 BiFuel (MBKFXB, MCKFXB) (KFW (TU3JP))		Gasol./G as (LPG)	FWD	1360	55	75	07.96-10.02	■		
1.4 bivalent (KFW (TU3JP))	vehicles without ESP	Gasol./G as (CNG)	FWD	1360	48	65	11.02-12.11	■		
1.4 i bivalent (MBKFW) (KFW (TU3JP))	vehicles without ESP	Gasol./G as (CNG)	FWD	1360	55	75	04.03-10.05	■		
Electric	vehicles without ESP	Eléctrico	FWD		28	38	07.03-12.05	■		

LISTA DE APLICACIONES - BUYERS GUIDE

1.6 HDI 75 (MB9HW) (9HW (DV6BTED4))	vehicles without ESP	Diesel	FWD	1560	55	75	07.05-12.11	■	
1.6 HDI 75 (MB9HW) (DV6B)	vehicles without ESP	Diesel	FWD	1560	55	75	07.05-12.11	■	
1.6 HDI 90 (MB9HX, MC9HX) (9HX (DV6ATED4))	vehicles without ESP	Diesel	FWD	1560	66	90	07.05-12.11	■	
1.6 HDI 92 (9HJ (DV6DTEDM))		Diesel	FWD	1560	68	92	11.09-12.10	■	
1.6 HDI 92 (9HP (DV6DTEDE))		Diesel	FWD	1560	68	92	11.09-12.10	■	
1.8 D (MBA9A, MCA9A) (A9A (XUD7))	vehicles without ESP	Diesel	FWD	1769	43	59	07.96-10.02	■	
1.9 D 70 (MBWJZ, MCWJZ) (WJY (DW8B))	10/02-, vehicles without ESP	Diesel	FWD	1868	51	69	04.99-12.11	■	
1.9 D 70 (MBWJZ, MCWJZ) (WJZ (DW8))	10/02-, vehicles without ESP	Diesel	FWD	1868	51	69	04.99-12.11	■	
1.9 D 70 4WD (MBWJZ, MCWJZ) (WJY (DW8B))	10/02-, vehicles without ESP	Diesel	4WD	1868	51	69	07.98-03.06	■	
1.9 D 70 4WD (MBWJZ, MCWJZ) (WJZ (DW8))	10/02-, vehicles without ESP	Diesel	4WD	1868	51	69	07.98-03.06	■	
1.9 D (MBDJY) (DJY (XUD9A))	10/02-, vehicles without ESP	Diesel	FWD	1905	51	70	07.96-12.03	■	
2.0 HDI 90 (MBRHY, MCRHY) (RHY (DW10TD))	10/02-, vehicles without ESP	Diesel	FWD	1997	66	90	12.99-12.11	■	
2.0 HDI 90 4WD (MBRHY, MCRHY) (RHY (DW10TD))	10/02-, vehicles without ESP	Diesel	4WD	1997	66	90	11.00-10.05	■	
BERLINGO / BERLINGO FIRST (MF_, GJK_, GFK_) 07.96-12.11				MPV (Large MPV-M1 Segment)					
1.1 i (MFHDZ, MFHFX) (HDZ (TU1M))	10/02-, vehicles without ESP	Gasolina	FWD	1124	44	60	07.96-05.08	■	
1.1 i (MFHDZ, MFHFX) (HFX (TU1JP))	10/02-, vehicles without ESP	Gasolina	FWD	1124	44	60	07.96-05.08	■	
1.4 GNC	vehicles without ESP	Gasolina	FWD	1360	48	65	11.02-	■	
1.4 (KFW (TU3JP))	vehicles without ESP	Gasolina	FWD	1360	53	72	11.02-10.05	■	
1.4 bivalent		Gasolina	FWD	1360	53	72	11.02-10.05	■	
1.4 i (MFKFX, MFKFW, GJKFWB, GJKFWC, GFKFWC) (KFW (TU3JP))	10/02-, vehicles without ESP	Gasolina	FWD	1360	55	75	07.96-12.11	■	
1.4 i (MFKFX, MFKFW, GJKFWB, GJKFWC, GFKFWC) (KFX (TU3JP))	10/02-, vehicles without ESP	Gasolina	FWD	1360	55	75	07.96-12.11	■	
1.6 16V (MFNFU) (NFU (TU5JP4))	10/02-, vehicles without ESP	Gasolina	FWD	1587	80	109	10.00-12.11	■	
1.6 16V (MFNFU) (NFU (TU5JP4))	vehicles without ESP	Gasolina	FWD	1587	81	110	11.02-10.08	■	
1.8 i (MFLFX) (LFX (XU7JB))	vehicles without ESP	Gasolina	FWD	1761	66	90	05.97-10.02	■	
1.8 i 4WD (MFLFX) (LFX (XU7JB))	vehicles without ESP	Gasolina	4WD	1761	66	90	04.97-10.01	■	
1.4 bivalent (KFW (TU3JP))	vehicles without ESP	Gasol./Gas (CNG)	FWD	1360	48	65	11.02-12.11	■	
1.4 i bivalent (MFKFW) (KFW (TU3JP))	vehicles without ESP	Gasol./Gas (CNG)	FWD	1360	55	75	04.03-10.08	■	
1.4 Hybrid	vehicles without ESP	Gasol./el éc.	FWD	1360	54	73	05.05-	■	
electrique	vehicles without ESP	Eléctrico	FWD		16	22	01.00-10.02	■	
Electric	vehicles without ESP	Eléctrico	FWD		28	38	01.98-12.05	■	
1.6 HDI 75 (MF9HW, GJ9HWC, GF9HWC, GN9HWC) (9HW (DV6BTED4))	vehicles without ESP	Diesel	FWD	1560	55	75	07.05-12.11	■	
1.6 HDI 75 (MF9HW, GJ9HWC, GF9HWC, GN9HWC) (DV6B)	vehicles without ESP	Diesel	FWD	1560	55	75	07.05-12.11	■	
1.6 HDI 90 (MF9HX) (9HX (DV6ATED4))	vehicles without ESP	Diesel	FWD	1560	66	90	07.05-05.08	■	
1.6 HDI 92 (9HJ (DV6DTEDM))		Diesel	FWD	1560	68	92	11.09-12.10	■	
1.6 HDI 92 (9HP (DV6DTEDE))		Diesel	FWD	1560	68	92	11.09-12.10	■	
1.6 HDi 110	vehicles without ESP	Diesel	RWD	1560	80	109	08.05-12.11	■	
1.8 D (MFA9A) (A9A (XUD7))	vehicles without ESP	Diesel	FWD	1769	43	58	07.98-10.02	■	
1.9 D (MFWJZ) (WJY (DW8B))	10/02-, vehicles without ESP	Diesel	FWD	1868	51	70	07.98-10.05	■	
1.9 D (MFWJZ) (WJZ (DW8))	10/02-, vehicles without ESP	Diesel	FWD	1868	51	70	07.98-10.05	■	
1.9 D 4WD (MFWJZ) (WJY (DW8B))	10/02-, vehicles without ESP	Diesel	4WD	1868	51	69	07.98-10.05	■	
1.9 D 4WD (MFWJZ) (WJZ (DW8))	10/02-, vehicles without ESP	Diesel	4WD	1868	51	69	07.98-10.05	■	
1.9 D (MFDJY) (D9B (XUD9A/L))	10/02-, vehicles without ESP	Diesel	FWD	1905	50	68	07.96-12.03	■	
1.9 D (MFDJY) (DJY (XUD9A))	10/02-, vehicles without ESP	Diesel	FWD	1905	50	68	07.96-12.03	■	
2.0 HDi 4x4 (MFRHY) (RHY (DW10TD))	vehicles without ESP	Diesel	4WD	1997	66	90	11.02-10.05	■	
2.0 HDI 90 (MFRHY) (RHY (DW10TD))	10/02-, vehicles without ESP	Diesel	FWD	1997	66	90	12.99-10.05	■	

LISTA DE APLICACIONES - BUYERS GUIDE

					Hatchback (Supermini car-B Segment)				
C2 (JM_) 07.03-09.17									
1.4 (KFV (TU3JP))		Gasolina	FWD	1360	55	75	10.06-12.09	■	
1.6 (NFU (TU5JP4))		Gasolina	FWD	1587	80	109	07.03-10.10	■	
1.6 VTS (NFS (TU5JP4S))		Gasolina	FWD	1587	90	122	10.04-12.09	■	
1.4 HDi (8HX (DV4TD))		Diesel	FWD	1398	51	69	09.03-04.05	■	
C2 II ENTERPRISE (JG_) 11.03-					Hatchback Van (LCVs-N1 Segment)				
1.4 HDi (8HX (DV4TD))		Diesel	FWD	1398	50	68	09.06-12.09	■	
1.4 HDi (8HZ (DV4TD))		Diesel	FWD	1398	51	69	11.03-04.05	■	
C3 (FC_, FN_) 02.02-					Hatchback (Supermini car-B Segment)				
1.4 16V (KFU (ET3J4))		Gasolina	FWD	1360	65	88	12.03-08.10	■	
1.6 16V (NFU (TU5JP4))		Gasolina	FWD	1587	80	109	02.02-08.10	■	
1.6 16V (NFU (TU5JP4))		Gasolina	FWD	1587	81	110	05.03-09.05	■	
1.4 HDi (8HZ (DV4TD))		Diesel	FWD	1398	52	70	07.03-02.11	■	
1.4 HDi (8HX (DV4TD))		Diesel	FWD	1398	55	75	05.05-12.09	■	
1.4 16V HDi (8HY (DV4TED4))		Diesel	FWD	1398	66	90	02.02-06.08	■	
1.6 16V HDi (9HX (DV6ATED4))		Diesel	FWD	1560	66	90	10.05-12.09	■	
1.6 16V HDi (9HZ (DV6TED4))	vehicles with ABS	Diesel	FWD	1560	80	109	09.05-12.09	■	
C3 AIRCROSS 08.10-					MPV (Mini SUV-J Segment)				
1.5		Gasolina	FWD	1449	66	90	11.15-	■	
C3 II (SC_) 06.10-					Hatchback Van (Supermini car-B Segment)				
1.4 HDi (8HR (DV4C))		Diesel	FWD	1398	50	68	06.10-09.16	■	
1.6 BlueHDi (BHW (DV6FE))		Diesel	FWD	1560	55	75	03.15-09.16	■	
C3 II (SC_) 09.09-					Hatchback (Supermini car-B Segment)				
1.0 VTi 68 (ZMZ (EB0))		Gasolina	FWD	999	50	68	08.12-09.16	■	
1.2 VTi 82 (HMZ (EB2))		Gasolina	FWD	1199	60	82	06.12-09.16	■	
1.2 VTi 82 (HMZ (EB2F))		Gasolina	FWD	1199	60	82	06.12-09.16	■	
1.2 THP 110 (HNZ (EB2DT))		Gasolina	FWD	1199	81	110	10.14-09.16	■	
1.4 VTi 95 (8FP (EP3C))		Gasolina	FWD	1397	70	95	11.09-09.16	■	
1.4 VTi (8FR (EP3))		Gasolina	FWD	1397	72	98	11.09-09.16	■	
1.5		Gasolina	FWD	1449	66	90	08.12-09.16	■	
1.6 VTi		Gasolina	FWD	1587	85	116	11.13-	■	
1.6 VTi 120 (5FS (EP6C))		Gasolina	FWD	1598	88	120	11.09-09.16	■	
1.4 LPG (KFT (TU3A))		Gasol./Gas (LPG)	FWD	1360	54	73	07.10-09.16	■	
1.4 LPG (8FN (EP3))		Gasol./Gas (LPG)	FWD	1397	70	95	06.13-09.16	■	
1.2 PureTech Flex		Gasol./Etanol	FWD	1199	66	90	06.16-06.21	■	
1.5 Flex		Gasol./Etanol	FWD	1449	68	92	08.12-12.16	■	
1.6 VTi Flex (EC5)		Gasol./Etanol	FWD	1587	87	118	10.16-06.21	■	
1.6 VTi 120 Flex (EC5)		Gasol./Etanol	FWD	1587	90	122	07.12-09.16	■	
1.4 HDi 70 (SC8HZC, SC8HR0, SC8HP4) (8HR (DV4C))		Diesel	FWD	1398	50	68	11.09-09.16	■	
1.4 HDi 70 (SC8HZC, SC8HR0, SC8HP4) (8HZ (DV4TD))		Diesel	FWD	1398	50	68	11.09-09.16	■	
1.6 BlueHDi 75 (9HK (DV6ETEDM))		Diesel	FWD	1560	55	75	04.15-09.16	■	
1.6 BlueHDi 75 (BHW (DV6FE))		Diesel	FWD	1560	55	75	04.15-09.16	■	
1.6 HDi 90 (9HX (DV6ATED4))		Diesel	FWD	1560	66	90	11.09-09.16	■	
1.6 BlueHDi 100 (BHY (DV6FD))		Diesel	FWD	1560	73	99	07.14-09.16	■	
1.6 HDi 115 (9HD (DV6C))		Diesel	FWD	1560	84	114	09.12-09.16	■	

LISTA DE APLICACIONES - BUYERS GUIDE

C3 II Picasso (SH_) 12.08-					MPV (Mini MPV-M1 Segment)			
1.2 THP 110 (SHHNZ6) (HNZ (EB2DT))	Gasolina	FWD	1199	81	110	01.15-12.15	■	
1.4 VTI 95 (SH8FSC, SH8FP0, SH8FP6) (8FN (EP3))	Gasolina	FWD	1397	70	95	12.08-12.15	■	
1.4 VTI 95 (SH8FSC, SH8FP0, SH8FP6) (8FP (EP3C))	Gasolina	FWD	1397	70	95	12.08-12.15	■	
1.4 VTI 95 (SH8FSC, SH8FP0, SH8FP6) (8FS (EP3))	Gasolina	FWD	1397	70	95	12.08-12.15	■	
1.6 VTI 115 (SH5FP0, SH5FP8) (5FP (EP6))	Gasolina	FWD	1598	84	114	07.09-12.15	■	
1.4 VTI 95 LPG (SH8FN0) (8FN (EP3))	Gasol./Gas (LPG)	FWD	1397	70	95	09.10-11.15	■	
1.6 HDi (9HX (DV6ATED4))	Diesel	FWD	1560	66	90	02.09-03.15	■	
1.6 HDi 90 (9HP (DV6DTE))	Diesel	FWD	1560	68	92	07.10-03.15	■	
1.6 BlueHDi 100 (BHY (DV6FD))	Diesel	FWD	1560	73	99	01.15-08.17	■	
C3 III (SX) 07.16-					Hatchback (Supermini car-B Segment)			
1.2 VTI 68 (HMM (EB2FAD))	Gasolina	FWD	1199	50	68	07.16-	■	
1.2 VTI 68 (HMP (EB2FB))	Gasolina	FWD	1199	50	68	07.16-	■	
1.2 PureTech 82	Gasolina	FWD	1199	60	82	03.21-	■	
1.2 VTI 82 (HMZ (EB2F))	Gasolina	FWD	1199	60	82	07.16-	■	
1.2 PureTech 82 (HMR (EB2FA))	Gasolina	FWD	1199	61	83	05.18-	■	
1.2 PureTech 110	Gasolina	FWD	1199	81	110	03.21-	■	
1.2 THP 110 (SXHNPS, SXHNZT, SXHNZ6) (HNP (EB2ADT))	Gasolina	FWD	1199	81	110	07.16-	■	
1.2 THP 110 (SXHNPS, SXHNZT, SXHNZ6) (HNV (EB2DTM))	Gasolina	FWD	1199	81	110	07.16-	■	
1.2 THP 110 (SXHNPS, SXHNZT, SXHNZ6) (HNZ (EB2DT))	Gasolina	FWD	1199	81	110	07.16-	■	
1.6 VTI (SXNFPT) (NFP (EC5))	Gasolina	FWD	1587	85	116	02.17-	■	
1.2 VTI 82 LPG (HMZ (EB2F))	Gasol./Gas (LPG)	FWD	1199	60	82	07.16-	■	
1.2 PureTech 82 LPG (HMR (EB2FA))	Gasol./Gas (LPG)	FWD	1199	61	83	05.18-	■	
1.0 Flex	Gasol./Etanol	FWD	999	55	75	06.22-	■	
1.6 Flex	Gasol./Etanol	FWD	1587	88	120	06.22-	■	
1.5 BlueHDi 100 (SXYHYP, SXYHTU) (YHY (DV5RD))	Diesel	FWD	1499	75	102	05.18-	■	
1.6 BlueHDi 75 (BHW (DV6FE))	Diesel	FWD	1560	55	75	07.16-05.18	■	
1.6 BlueHDi 100 (BHY (DV6FD))	Diesel	FWD	1560	73	99	07.16-05.18	■	
C3 III AIRCROSS II (2R_, 2C_) 06.17-					SUV (Mini SUV-J Segment)			
1.2 PureTech 82 (2RHMRC, 2RHMZB) (HMR (EB2FA))	Gasolina	FWD	1199	60	82	06.17-	■	
1.2 PureTech 82 (2RHMRC, 2RHMZB) (HMZ (EB2F))	Gasolina	FWD	1199	60	82	06.17-	■	
1.2 PureTech 110 (2RHNZB, 2RHNZW, 2RHNPX, 2RHNPJ) (HNP (EB2ADT))	Gasolina	FWD	1199	81	110	06.17-	■	
1.2 PureTech 110 (2RHNZB, 2RHNZW, 2RHNPX, 2RHNPJ) (HNV (EB2DTM))	Gasolina	FWD	1199	81	110	06.17-	■	
1.2 PureTech 110 (2RHNZB, 2RHNZW, 2RHNPX, 2RHNPJ) (HNZ (EB2DT))	Gasolina	FWD	1199	81	110	06.17-	■	
1.2 PureTech 130 (2RHNYH) (HNS (EB2ADTS))	Gasolina	FWD	1199	96	131	07.17-	■	
1.2 PureTech 130 (2RHNYH) (HNY (EB2DTS))	Gasolina	FWD	1199	96	131	07.17-	■	
1.5 BlueHDi 100 (2CYHYJ) (YHY (DV5RD))	Diesel	FWD	1499	73	99	08.18-	■	
1.5 BlueHDi 100 (2CYHYJ) (YHY (DV5RD))	Diesel	FWD	1499	75	102	08.18-	■	
1.5 BlueHDi 110 (YHS (DV5RCE))	Diesel	FWD	1499	81	110	10.20-	■	
1.5 BlueHDi 120 (2CYHXX) (YHX (DV5RC))	Diesel	FWD	1499	88	120	08.18-	■	
1.6 HDi 92 (2C9HPA) (9HP (DV6D))	Diesel	FWD	1560	68	92	10.17-	■	
1.6 HDi 92 (2C9HPA) (9HP (DV6DTE))	Diesel	FWD	1560	68	92	10.17-	■	

LISTA DE APLICACIONES - BUYERS GUIDE

1.6 BlueHDi 100 (2CBHYB) (BHY (DV6FD))		Diesel	FWD	1560	73	99	07.17-08.18	■	
1.6 BlueHDi 115 (2CBHXH) (BHX (DV6FC))		Diesel	FWD	1560	85	115	06.17-05.18	■	
1.6 BlueHDi 120 (2CBHZH) (BHZ (DV6FC))		Diesel	FWD	1560	88	120	07.17-05.18	■	
C3 III AIRCROSS II Van (2C_, 2R_) 06.17-					SUV Van (Mini SUV-J Segment)				
PureTech 82 (HMZ (EB2F))		Gasolina	FWD	1199	60	82	05.19-	■	
PureTech 82 (HNZ (EB2DT))		Gasolina	FWD	1199	81	110	05.19-	■	
1.5 BlueHDi 100 (YHY (DV5RD))		Diesel	FWD	1499	73	99	05.19-	■	
1.5 BlueHDi 120 (YHX (DV5RC))		Diesel	FWD	1499	88	120	05.19-	■	
1.6 BlueHDi 100 (BHY (DV6FD))		Diesel	FWD	1560	73	99	05.19-	■	
C3 III Van (SX_, SY_) 07.16-					Hatchback Van (Supermini car-B Segment)				
1.2 VTi		Gasolina	FWD	1199	60	82	07.16-	■	
PureTech 82 (HMR (EB2FA))		Gasolina	FWD	1199	61	83	03.19-	■	
PureTech 110 (HNZ (EB2DT))		Gasolina	FWD	1199	81	110	03.19-	■	
BlueHDi 100 (YHY (DV5RD))		Diesel	FWD	1499	75	102	03.19-	■	
BlueHDi 75 (BHW (DV6FE))		Diesel	FWD	1560	55	75	03.19-	■	
BlueHDi 100 (BHY (DV6FD))		Diesel	FWD	1560	73	99	03.19-	■	
C3 Pluriel (HB_) 05.03-					Convertible (Supermini car-B Segment)				
1.4 (KFV (TU3A))		Gasolina	FWD	1360	54	73	05.03-	■	
1.4 (KFV (TU3JP))		Gasolina	FWD	1360	54	73	05.03-	■	
1.4 (KFV (TU3A))		Gasolina	FWD	1360	55	75	07.03-	■	
1.6 (NFU (TU5JP4))		Gasolina	FWD	1587	80	109	05.03-	■	
1.4 Hybrid	-01/08	Gasol./el éc.	FWD	1360	54	73	05.05-	■	
1.4 HDi (8HX (DV4TD))		Diesel	FWD	1398	50	68	04.04-	■	
C4 (LA_) 11.04-12.13					Coupe (Compact car-C Segment)				
1.4 16V (KFU (ET3J4))	vehicles without ESP	Gasolina	FWD	1360	65	88	11.04-07.11	■	
1.6 16V (NFU (TU5JP4))	vehicles without ESP	Gasolina	FWD	1587	80	109	11.04-07.11	■	
1.6 VTi 120 (5FW (EP6))	Manual Transmission	Gasolina	FWD	1598	88	120	07.08-07.11	■	
1.6 HDi (9HX (DV6ATED4))	vehicles without ESP	Diesel	FWD	1560	66	90	11.04-07.11	■	
1.6 HDi (9HY (DV6TED4))	vehicles without ESP	Diesel	FWD	1560	80	109	11.04-07.11	■	
1.6 HDi (9HZ (DV6TED4))	vehicles without ESP	Diesel	FWD	1560	80	109	11.04-07.11	■	
C4 (LC_) 11.04-12.14					Hatchback (Compact car-C Segment)				
1.4 16V (KFU (ET3J4))	vehicles without ESP	Gasolina	FWD	1360	65	88	11.04-07.11	■	
1.6 16V (NFU (TU5JP4))	vehicles without ESP	Gasolina	FWD	1587	80	109	11.04-07.11	■	
1.6 VTi 120 (5FW (EP6))	Manual Transmission	Gasolina	FWD	1598	88	120	07.08-07.11	■	
1.6 16V Bio-Flex (NFU (TU5JP4))	vehicles without ESP	Gasol./Et anol	FWD	1587	80	109	09.07-07.08	■	
1.6 Flex		Gasol./Et anol	FWD	1587	81	110	02.09-07.11	■	
1.6 HDi (9HX (DV6ATED4))	vehicles without ESP	Diesel	FWD	1560	66	90	11.04-07.11	■	
1.6 HDi (9HY (DV6TED4))	vehicles without ESP	Diesel	FWD	1560	80	109	11.04-07.11	■	
1.6 HDi (9HZ (DV6TED4))	vehicles without ESP	Diesel	FWD	1560	80	109	11.04-07.11	■	
C4 CACTUS 09.14-					Hatchback (Compact SUV-J Segment)				
1.2 VTi 75 / PureTech 75 (HMU (EB2D))		Gasolina	FWD	1199	55	75	09.14-	■	
1.2 VTi 75 / PureTech 75 (HMU (EB2FD))		Gasolina	FWD	1199	55	75	09.14-	■	
1.2 VTi 82 (HMZ (EB2F))		Gasolina	FWD	1199	60	82	09.14-	■	
1.2 THP 110 (HNP (EB2ADT))		Gasolina	FWD	1199	81	110	09.14-	■	
1.2 THP 110 (HNV (EB2DTM))		Gasolina	FWD	1199	81	110	09.14-	■	
1.2 THP 110 (HNZ (EB2DT))		Gasolina	FWD	1199	81	110	09.14-	■	
1.2 PureTech 130 (HNS (EB2ADTS))		Gasolina	FWD	1199	96	131	11.17-	■	

LISTA DE APLICACIONES - BUYERS GUIDE

1.2 PureTech 130 (HNY (EB2DTS))		Gasolina	FWD	1199	96	131	11.17-	■	
1.5 BlueHDI 100 (YHY (DV5RD))		Diesel	FWD	1499	73	99	06.18-	■	
1.5 BlueHDI 100 (YHY (DV5RD))		Diesel	FWD	1499	75	102	06.18-	■	
1.5 BlueHDI 120 (YHX (DV5RC))		Diesel	FWD	1499	88	120	09.18-	■	
1.6 HDi 90 (9HJ (DV6DTEDM))		Diesel	FWD	1560	68	92	09.14-	■	
1.6 HDi 90 (9HP (DV6D))		Diesel	FWD	1560	68	92	09.14-	■	
1.6 HDi 90 (9HP (DV6DTE))		Diesel	FWD	1560	68	92	09.14-	■	
1.6 BlueHDI 100 (BHY (DV6FD))		Diesel	FWD	1560	73	99	09.14-06.18	■	
C4 CACTUS Van (0B_, 0P_) 09.14-					Hatchback Van (Compact car-C Segment)				
PureTech 82 (HMZ (EB2))		Gasolina	FWD	1199	60	82	05.19-	■	
PureTech 110 (HNP (EB2ADT))		Gasolina	FWD	1199	81	110	05.19-	■	
PureTech 110 (HNZ (EB2DT))		Gasolina	FWD	1199	81	110	05.19-	■	
PureTech 130 (HNY (EB2DTS))		Gasolina	FWD	1199	96	131	05.19-	■	
BlueHDI 100 (YHY (DV5RD))		Diesel	FWD	1499	73	99	05.19-	■	
BlueHDI 100 (BHY (DV6FD))		Diesel	FWD	1560	73	99	05.19-	■	
C5 (DE_) 06.01-09.04					Estate (Large family car-D Segment)				
1.8 16V (DE6FZB, DE6FZE) (6FZ (EW7J4))		Gasolina	FWD	1749	85	115	06.01-08.04	■	
1.8 16V (RE6FZB) (6FZ (EW7J4))		Gasolina	FWD	1749	85	116	09.04-08.05	■	
1.8 16V (RE6FYB) (6FY (EW7A))		Gasolina	FWD	1749	92	125	09.05-01.08	■	
1.6 HDi (RE9HZC, RE9HYB) (9HY (DV6TED4))		Diesel	FWD	1560	80	109	09.04-01.08	■	
1.6 HDi (RE9HZC, RE9HYB) (9HZ (DV6TED4))		Diesel	FWD	1560	80	109	09.04-01.08	■	
C5 (DC_) 03.01-03.05					Hatchback (Large family car-D Segment)				
1.8 16V (DC6FZB, DC6FZE) (6FZ (EW7J4))		Gasolina	FWD	1749	85	115	03.01-08.04	■	
1.8 16V (RC6FZB) (6FZ (EW7J4))		Gasolina	FWD	1749	85	116	09.04-08.05	■	
1.8 16V (6FY (EW7A))		Gasolina	FWD	1749	92	125	09.05-01.08	■	
1.6 HDi (RC8HZB) (9HY (DV6TED4))		Diesel	FWD	1560	80	109	09.04-01.08	■	
1.6 HDi (RC8HZB) (9HZ (DV6TED4))		Diesel	FWD	1560	80	109	09.04-01.08	■	
C-ELYSEE II (DD_) 11.12-					Saloon (Compact car-C Segment)				
1.2 VTi 72 (DDHMY0) (HMY (EB2M))		Gasolina	FWD	1199	53	72	11.12-01.17	■	
1.2 VTI 82 (HMZ (EB2))		Gasolina	FWD	1199	60	82	12.14-	■	
1.2 VTI 82 (HMZ (EB2F))		Gasolina	FWD	1199	60	82	12.14-	■	
1.2 PureTech 82 (DDHMRP) (HMR (EB2FA))		Gasolina	FWD	1199	61	83	02.18-	■	
1.6 VTi 115 (DDNFP0, DDNFP6, DDNFP9) (NFP (EC5))		Gasolina	FWD	1587	85	115	11.12-	■	
1.5 BlueHDI 100 (YHY (DV5RD))		Diesel	FWD	1499	75	102	05.18-	■	
1.6 HDi 92 (9HJ (DV6DTEDM))		Diesel	FWD	1560	68	92	11.12-	■	
1.6 HDi 92 (9HP (DV6DTE))		Diesel	FWD	1560	68	92	11.12-	■	
1.6 BlueHDI 100 (BHY (DV6FD))		Diesel	FWD	1560	73	99	11.14-12.16	■	
DS3 01.13-07.15					Convertible (Supermini car-B Segment)				
1.2 VTI 82 (HMZ (EB2F))		Gasolina	FWD	1199	60	82	01.13-07.15	■	
1.2 THP 110 (HNZ (EB2DT))		Gasolina	FWD	1199	81	110	10.14-07.15	■	
1.6 VTI 120 (5FS (EP6C))		Gasolina	FWD	1598	88	120	01.13-07.15	■	
1.6 THP 150 (5FN (EP6CDT))		Gasolina	FWD	1598	110	150	01.13-07.15	■	
1.6 THP 155 (5FV (EP6CDT))		Gasolina	FWD	1598	115	156	01.13-07.15	■	
1.6 THP 165 (5FM (EP6DT))		Gasolina	FWD	1598	120	163	02.15-07.15	■	
1.6 THP 165 (5GZ (EP6FDT))		Gasolina	FWD	1598	121	165	10.14-07.15	■	
1.6 HDi 90 (9HP (DV6DTE))		Diesel	FWD	1560	68	92	01.13-07.15	■	
1.6 BlueHDI 100 (BHY (DV6FD))		Diesel	FWD	1560	73	99	07.14-07.15	■	
1.6 BlueHDI 100 (BHY (DV6FD))		Diesel	FWD	1560	75	102	07.14-07.15	■	

LISTA DE APLICACIONES - BUYERS GUIDE

1.6 BlueHDi 115 (BHX (DV6FC))		Diesel	FWD	1560	85	115	10.13-07.15	■
1.6 BlueHDi 120 (BHZ (DV6FC))		Diesel	FWD	1560	88	120	07.14-07.15	■
DS3 (SA_) 11.09-12.16				Hatchback (Supermini car-B Segment)				
1.2 VTI 82 (HMZ (EB2))		Gasolina	FWD	1199	60	82	01.13-03.15	■
1.2 VTI 82 (HMZ (EB2F))		Gasolina	FWD	1199	60	82	01.13-03.15	■
1.2 THP 110 (HNZ (EB2DT))		Gasolina	FWD	1199	81	110	10.14-03.15	■
1.4 VTi 95 (8FP (EP3C))		Gasolina	FWD	1397	70	95	04.10-07.15	■
1.4 VTi 98 (8FR (EP3C))		Gasolina	FWD	1397	72	98	11.09-07.15	■
1.6 THP160 (5FM (EP6DT))		Gasolina	FWD	1598	120	163	01.12-07.15	■
1.6 THP 165 (5GZ (EP6FDT))		Gasolina	FWD	1598	121	165	10.14-06.15	■
1.4 VTi 95 LPG (8FR (EP3C))		Gasol./Gas (LPG)	FWD	1397	70	95	08.12-07.15	■
1.4 HDi 70 (SA8HP4) (8HR (DV4C))		Diesel	FWD	1398	50	68	04.10-07.15	■
1.6 BlueHDi 75 (BHW (DV6FE))		Diesel	FWD	1560	55	75	03.15-07.15	■
1.6 HDi 90 (9HP (DV6DTE))		Diesel	FWD	1560	68	92	11.09-07.15	■
1.6 BlueHDi 100 (BHY (DV6FD))		Diesel	FWD	1560	73	99	07.14-07.15	■
1.6 HDi 110 (9HR (DV6C))		Diesel	FWD	1560	82	112	11.09-07.15	■
1.6 HDi 115 (9HD (DV6C))		Diesel	FWD	1560	84	114	08.12-07.15	■
1.6 HDi 115 (BHX (DV6FC))		Diesel	FWD	1560	85	115	10.13-07.15	■
1.6 BlueHDi 120 (BHZ (DV6FC))		Diesel	FWD	1560	88	120	10.13-07.15	■
XSARA (N0) 01.98-04.05				Coupe (Compact car-C Segment)				
1.6 16V (NFU (TU5JP4))		Gasolina	FWD	1587	80	109	09.00-03.05	■
1.4 HDi (8HX (DV4TD))	05/03-	Diesel	FWD	1398	50	68	01.03-03.05	■
XSARA (N2) 10.97-03.10				Estate (Compact car-C Segment)				
1.4 i (KFW (TU3JP))	10/00-, vehicles with ABS	Gasolina	FWD	1360	55	75	10.97-08.05	■
1.4 i (KFX (TU3JP))	10/00-, vehicles with ABS	Gasolina	FWD	1360	55	75	10.97-08.05	■
1.6 16V (NFU (TU5JP4))		Gasolina	FWD	1587	80	109	09.00-08.05	■
1.4 HDi (8HX (DV4TD))		Diesel	FWD	1398	50	68	01.03-08.05	■
1.9 D (WJY (DW8B))	10/00-	Diesel	FWD	1868	51	70	07.98-08.05	■
1.9 D (WJZ (DW8))	10/00-	Diesel	FWD	1868	51	70	07.98-08.05	■
2.0 HDI 90 (RHY (DW10TD))		Diesel	FWD	1997	66	90	02.99-08.05	■
XSARA (N3_) 05.98-03.05				Hatchback Van (Compact car-C Segment)				
1.4 (KFX (TU3JP))		Gasolina	FWD	1360	55	75	05.98-10.04	■
1.5 D (VJZ (TUD5))		Diesel	FWD	1527	42	57	05.98-08.00	■
1.9 D (WJZ (DW8))		Diesel	FWD	1868	51	69	06.99-03.05	■
2.0 HDi (RHY (DW10TD))		Diesel	FWD	1997	66	90	09.00-03.05	■
XSARA (N1) 04.97-12.05				Hatchback (Compact car-C Segment)				
1.4 i (KFW (TU3JP))	11/00-, vehicles with ABS	Gasolina	FWD	1360	55	75	04.97-03.05	■
1.4 i (KFX (TU3JP))	11/00-, vehicles with ABS	Gasolina	FWD	1360	55	75	04.97-03.05	■
1.6 16V (NFU (TU5JP4))		Gasolina	FWD	1587	80	109	09.00-03.05	■
1.4 HDi (8HX (DV4TD))		Diesel	FWD	1398	50	68	01.03-03.05	■
1.5 D (VJZ (TUD5))		Diesel	FWD	1527	42	57	04.97-09.00	■
1.9 D (WJY (DW8B))		Diesel	FWD	1868	52	72	04.00-04.05	■
2.0 HDI 90 (RHY (DW10TD))	10/00-	Diesel	FWD	1997	66	90	02.99-03.05	■
XSARA PICASSO (N68) 09.99-06.12				MPV (Compact MPV-M1 Segment)				
1.6 (NFZ (TU5JP))		Gasolina	FWD	1587	65	88	12.99-09.01	■
1.6 (NFZ (TU5JP))		Gasolina	FWD	1587	67	91	06.02-08.05	■
1.6 (NFV (TU5JP))		Gasolina	FWD	1587	70	95	12.99-12.10	■
1.6 Chrono (NFV (TU5JP))		Gasolina	FWD	1587	74	101	04.01-10.04	■

LISTA DE APLICACIONES - BUYERS GUIDE

1.6 16V (NFU (TU5JP4))		Gasolina	FWD	1587	80	109	09.05-12.11	■
1.6 16V (NFU (TU5JP4))		Gasolina	FWD	1587	81	110	06.05-09.06	■
1.8 16V (6FZ (EW7J4))		Gasolina	FWD	1749	85	115	02.00-08.05	■
1.8 SX		Gasolina	FWD	1761	76	103	06.00-08.05	■
2.0		Gasolina	FWD	1997	88	120	02.04-10.04	■
2.0 16V (RFN (EW10J4))		Gasolina	FWD	1997	100	136	01.03-06.12	■
2.0 16V (RFN (EW10J4))		Gasolina	FWD	1997	101	138	12.99-11.11	■
1.6 16V LPG		Gasol./Gas (LPG)	FWD	1587	80	109	06.04-12.10	■
1.6 HDi (9HX (DV6ATED4))		Diesel	FWD	1560	66	90	09.05-12.11	■
1.6 HDi (9HY (DV6TED4))		Diesel	FWD	1560	80	109	05.04-12.11	■
1.6 HDi (9HZ (DV6TED4))		Diesel	FWD	1560	80	109	05.04-12.11	■
2.0 HDi (RHY (DW10TD))		Diesel	FWD	1997	66	90	12.99-12.11	■

DS

DS 3 (SB_) 07.15-								Convertible (City car-A Segment)	
1.2 VTI 82 (HMZ (EB2F))		Gasolina	FWD	1199	60	82	07.15-07.19	■	
1.2 THP 110 (HNP (EB2ADT))		Gasolina	FWD	1199	81	110	07.15-07.19	■	
1.2 THP 110 (HNZ (EB2DT))		Gasolina	FWD	1199	81	110	07.15-07.19	■	
1.2 THP 130 (HNY (EB2DTS))		Gasolina	FWD	1199	96	130	09.15-07.19	■	
1.6 THP (SB5GWM) (5GX (EP6FDTMD))		Gasolina	FWD	1598	110	150	07.15-07.19	■	
1.6 THP (5GZ (EP6FDT))		Gasolina	FWD	1598	120	163	07.15-07.19	■	
1.6 THP 165 (5GZ (EP6FDT))		Gasolina	FWD	1598	121	165	07.15-07.19	■	
1.6 BlueHDi 100 (BHY (DV6FD))		Diesel	FWD	1560	73	99	07.15-07.19	■	
1.6 BlueHDi 116 (BHX (DV6FC))		Diesel	FWD	1560	85	116	07.15-07.19	■	
1.6 BlueHDi 120 (BHZ (DV6FC))		Diesel	FWD	1560	88	120	07.15-07.19	■	

DS 3 (SA_) 04.15-								Hatchback (City car-A Segment)	
1.2 VTI 82 (SAHMZ6) (HMZ (EB2))		Gasolina	FWD	1199	60	82	04.15-07.19	■	
1.2 VTI 82 (SAHMZ6) (HMZ (EB2F))		Gasolina	FWD	1199	60	82	04.15-07.19	■	
1.2 THP 110 / PureTech 110 (SAHNPS, SAHNZ6, SAHNZT) (HNP (EB2ADT))		Gasolina	FWD	1199	81	110	04.15-07.19	■	
1.2 THP 110 / PureTech 110 (SAHNPS, SAHNZ6, SAHNZT) (HNZ (EB2DT))		Gasolina	FWD	1199	81	110	04.15-07.19	■	
1.2 THP 130 (SAHNYM) (HNY (EB2DTS))		Gasolina	FWD	1199	96	130	09.15-07.19	■	
1.6 THP (SA5GWM) (5GW (EP6FDT))		Gasolina	FWD	1598	110	150	07.15-07.19	■	
1.6 THP (SA5GZM) (5GZ (EP6FDT))		Gasolina	FWD	1598	120	163	07.15-07.19	■	
1.6 THP 165 (SA5GZM) (5GZ (EP6FDT))		Gasolina	FWD	1598	121	165	07.15-07.19	■	
1.4 HDi 70 (SA8HR4, SA8HP4)		Diesel	FWD	1398	50	68	07.15-12.16	■	
1.6 BlueHDi 75 (SABHW6) (BHW (DV6FE))		Diesel	FWD	1560	55	75	07.15-07.19	■	
1.6 BlueHDi 100 (SABHY0, SABHYT) (BHY (DV6FD))		Diesel	FWD	1560	73	99	04.15-07.19	■	
1.6 BlueHDi 116 (SABHXM) (BHX (DV6FC))		Diesel	FWD	1560	85	116	07.15-07.19	■	
1.6 BlueHDi 120 (SABHZM) (BHZ (DV6FC))		Diesel	FWD	1560	88	120	07.15-07.19	■	

FENGSHEN

H30 01.10-								Hatchback ()	
1.5 (DFMA15)		Gasolina	FWD	1497	85	116	04.13-12.17	■	
1.6 (N6A 10FX3A PSA)		Gasolina	FWD	1587	78	106	01.10-12.15	■	
S30 07.09-								Saloon ()	
1.5		Gasolina	FWD	1497	85	116	03.13-12.17	■	
1.6 (N6A 10FX3A PSA)		Gasolina	FWD	1587	78	106	07.09-	■	
1.6 CNG		Gasol./Gas (CNG)	FWD	1587	67	91	03.13-	■	

OPEL

LISTA DE APLICACIONES - BUYERS GUIDE

					Hatchback (Supermini car-B Segment)				
CORSA F (P2JO) 07.19-									
1.2 (68) (F 12 XEL (EB2FAD))		Gasolina	FWD	1199	55	75	07.19-	■	
1.2 (68) (F 12 XHL (EB2ADTD))		Gasolina	FWD	1199	74	101	07.19-	■	
1.2 (68) (F 12 XHT (EB2ADTS))		Gasolina	FWD	1199	96	131	07.19-	■	
1.2 MHEV		Gasol./el éc.	FWD	1199	74	101	08.23-	■	
Corsa-e (68) (ZKX (ZK01))		Eléctrico	FWD		100	136	07.19-	■	
1.5 (68) (D 15 DT (DV5RD))		Diesel	FWD	1499	75	102	07.19-	■	
CORSA F Van 07.19-					Hatchback Van (Supermini car-B Segment)				
1.2 (68) (F 12 XEL (EB2FAD))		Gasolina	FWD	1199	55	75	07.19-	■	
1.5 (68) (D 15 DT (DV5RD))		Diesel	FWD	1499	75	102	07.19-	■	
CROSSLAND X (P17, P2QO) 03.17-					SUV (Subcompact SUV-B Segment)				
1.2 (75) (B 12 XE (EB2F))		Gasolina	FWD	1199	60	82	03.17-	■	
1.2 (75) (D 12 XE (EB2FA))		Gasolina	FWD	1199	60	82	03.17-	■	
1.2 (F 12 XE (EB2FA))		Gasolina	FWD	1199	61	83	07.19-	■	
1.2 (75) (B 12 XHL (EB2DT))		Gasolina	FWD	1199	81	110	03.17-	■	
1.2 (75) (D 12 XHL (EB2ADT))		Gasolina	FWD	1199	81	110	03.17-	■	
1.2 (75) (F 12 XHL)		Gasolina	FWD	1199	81	110	03.17-	■	
1.2 (75) (B 12 XHT (EB2DTS))		Gasolina	FWD	1199	96	131	03.17-	■	
1.2 (75) (D 12 XHT (EB2ADTS))		Gasolina	FWD	1199	96	131	03.17-	■	
1.2 (75) (F 12 XHT (EB2ADTS))		Gasolina	FWD	1199	96	131	03.17-	■	
1.2 LPG (75) (B 12 XE (EB2F))		Gasol./G as (LPG)	FWD	1199	60	82	10.17-	■	
1.5 Turbo D (75) (D 15 DT (DV5RD))		Diesel	FWD	1499	75	102	06.18-	■	
1.5 (75)		Diesel	FWD	1499	81	110	10.20-	■	
1.5 Turbo D (75) (D 15 DTH (DV5RC))		Diesel	FWD	1499	88	120	08.18-	■	
1.6 Turbo D(75) (B 16 DT (DV6FD))		Diesel	FWD	1560	73	99	03.17-05.18	■	
1.6 Turbo D(75) (B 16 DTH (DV6FC))		Diesel	FWD	1560	85	116	08.17-04.19	■	
1.6 Turbo D(75) (B 16 DTH (DV6FC))		Diesel	FWD	1560	88	120	03.17-05.18	■	
CROSSLAND X Van 03.17-					SUV Van (Subcompact SUV-B Segment)				
1.2 (75) (F 12 XE (EB2FA))		Gasolina	FWD	1199	61	83	07.19-	■	
1.2 (75) (D 12 XHL (EB2ADT))		Gasolina	FWD	1199	81	110	07.18-	■	
1.2 (75) (F 12 XHL)		Gasolina	FWD	1199	81	110	07.18-	■	
1.5 (75) (D 15 DT (DV5RD))		Diesel	FWD	1499	75	102	06.18-	■	
PEUGEOT									
1007 (KM_) 04.05-					Hatchback (Mini MPV-M1 Segment)				
1.4 (KFV (TU3A))		Gasolina	FWD	1360	54	75	04.05-	■	
1.4 (KFV (TU3JP))		Gasolina	FWD	1360	54	75	04.05-	■	
1.4 16V (KFU (ET3J4))		Gasolina	FWD	1360	65	88	10.05-	■	
1.6 16V (NFU (TU5JP4))		Gasolina	FWD	1587	80	109	04.05-	■	
1.4 HDi (8HX (DV4TD))		Diesel	FWD	1398	50	68	04.05-	■	
1.4 HDi (8HZ (DV4TD))		Diesel	FWD	1398	50	68	04.05-	■	
1.6 HDi (9HZ (DV6TED4))		Diesel	FWD	1560	80	109	06.07-	■	
2008 (CU_) 03.13-					SUV Van (Compact SUV-J Segment)				
PureTech 130 (CUHNYM, CUHNSS)		Gasolina	FWD	1199	96	131	01.18-11.19	■	
BlueHDi 100 (CUYHYM)		Diesel	FWD	1499	75	102	05.18-	■	
BlueHDi 120 (CUYHXK)		Diesel	FWD	1499	88	120	05.18-	■	
2008 (CU_) 03.13-					SUV (Compact SUV-J Segment)				
1.2 VTi (HMZ (EB2))		Gasolina	FWD	1199	60	82	03.13-12.18	■	

LISTA DE APLICACIONES - BUYERS GUIDE

1.2 VTi (HMZ (EB2F))		Gasolina	FWD	1199	60	82	03.13-12.18	■	
1.2 PureTech 82 (HMR (EB2FA))		Gasolina	FWD	1199	61	82	01.18-12.19	■	
1.2 THP 110 / PureTech 110 (SAHNPS, SAHNZ6, SAHNZT) (HNP (EB2ADT))		Gasolina	FWD	1199	81	110	01.15-	■	
1.2 THP 110 / PureTech 110 (SAHNPS, SAHNZ6, SAHNZT) (HNV (EB2DTM))		Gasolina	FWD	1199	81	110	01.15-	■	
1.2 THP 110 / PureTech 110 (SAHNPS, SAHNZ6, SAHNZT) (HNZ (EB2DT))		Gasolina	FWD	1199	81	110	01.15-	■	
1.2 THP 130 / PureTech 130 (HNS (EB2ADTS))		Gasolina	FWD	1199	96	130	01.15-11.19	■	
1.2 THP 130 / PureTech 130 (HNY (EB2DTS))		Gasolina	FWD	1199	96	130	01.15-11.19	■	
1.6 VTi (5FS (EP6C))		Gasolina	FWD	1598	85	116	05.13-	■	
1.6 VTi (5FS (EP6C))		Gasolina	FWD	1598	88	120	03.13-	■	
1.6 THP 165 (5GY (EP6FDTM))		Gasolina	FWD	1598	121	165	02.16-	■	
1.6 THP 165 (5GZ (EP6FDT))		Gasolina	FWD	1598	121	165	02.16-	■	
1.4 HDi (8HR (DV4C))		Diesel	FWD	1398	50	68	06.13-	■	
1.5 BlueHDi 100 (YHY (DV5RD))		Diesel	FWD	1499	75	102	05.18-	■	
1.5 BlueHDi 120 (YHX (DV5RC))		Diesel	FWD	1499	88	120	05.18-	■	
1.6 BlueHDi 75 (BHW (DV6FE))		Diesel	FWD	1560	55	75	01.15-11.19	■	
1.6 HDi (9HP (DV6DTED))		Diesel	FWD	1560	68	92	03.13-	■	
1.6 BlueHDi 100 (BHY (DV6FD))		Diesel	FWD	1560	73	100	01.15-11.19	■	
1.6 HDi (9HD (DV6C))		Diesel	FWD	1560	84	114	03.13-	■	
1.6 BlueHDi (BHX (DV6FC))		Diesel	FWD	1560	85	116	07.14-	■	
1.6 BlueHDi 120 (BHZ (DV6FC))		Diesel	FWD	1560	88	120	07.14-04.18	■	
206 (2D) 09.00-							Convertible (Supermini car-B Segment)		
1.6 16V (2DNFUF, 2DNFUR) (NFU (TU5JP4))	06/01-	Gasolina	FWD	1587	80	109	09.00-12.07	■	
1.6 (NFU (TU5JP4))		Gasolina	FWD	1587	81	110	09.01-12.08	■	
2.0 S16 (RFN (EW10J4))	06/01-	Gasolina	FWD	1997	100	136	09.00-12.07	■	
1.6 HDi 110 (9HZ (DV6TED4))		Diesel	FWD	1560	80	109	04.05-02.07	■	
206 (2A/C) 08.98-							Hatchback (Supermini car-B Segment)		
1.6 16V (NFU (TU5JP4))		Gasolina	FWD	1587	79	107	06.01-04.09	■	
1.6 16V (NFU (TU5JP4))	10/01-	Gasolina	FWD	1587	80	109	07.00-04.09	■	
1.6 (NFU (TU5JP4))		Gasolina	FWD	1587	81	110	05.05-07.08	■	
2.0 S16 (RFN (EW10J4))	10/01-	Gasolina	FWD	1997	100	136	06.99-12.07	■	
1.6 BiFuel (NFU (TU5JP4))		Gasol./Gas (LPG)	FWD	1587	80	109	07.00-04.09	■	
1.6 Flex		Gasol./Etanol	FWD	1587	83	113	05.05-07.08	■	
1.6 HDi 110 (9HY (DV6TED4))		Diesel	FWD	1560	80	109	05.04-02.07	■	
1.6 HDi 110 (9HZ (DV6TED4))		Diesel	FWD	1560	80	109	05.04-02.07	■	
2.0 HDi 90 (RHY (DW10TD))	08/00-	Diesel	FWD	1997	66	90	12.99-09.09	■	
206 03.07-							Saloon (Supermini car-B Segment)		
1.6 16V (NFU (TU5JP4))	ch- 09079	Gasolina	FWD	1587	80	109	03.07-	■	
206 SW (2E/K) 07.02-							Estate (Supermini car-B Segment)		
1.6 16V (NFU (TU5JP4))		Gasolina	FWD	1587	80	109	07.02-	■	
1.6 (NFU (TU5JP4))		Gasolina	FWD	1587	81	110	05.05-07.08	■	
2.0 16V (RFN (EW10J4))		Gasolina	FWD	1997	100	136	07.02-02.07	■	
1.6 LPG (NFU (TU5JP4))		Gasol./Gas (LPG)	FWD	1587	80	109	07.02-02.07	■	
1.6 Flex		Gasol./Etanol	FWD	1587	81	110	05.05-07.08	■	
1.6 Flex		Gasol./Etanol	FWD	1587	83	113	05.05-07.08	■	
1.6 HDi 110 (9HZ (DV6TED4))		Diesel	FWD	1560	80	109	05.04-	■	

LISTA DE APLICACIONES - BUYERS GUIDE

2.0 HDi (RHY (DW10TD))		Diesel	FWD	1997	66	90	07.02-02.07	■
207 (WA_, WC_) 04.06-				Hatchback Van (LCVs-N1 Segment)				
1.4 (KFV (TU3A))		Gasolina	FWD	1360	54	74	06.07-10.08	■
1.4 HDi (8HR (DV4C))		Diesel	FWD	1398	50	68	04.07-	■
1.4 HDi (8HZ (DV4TD))		Diesel	FWD	1398	50	68	04.07-	■
1.6 HDi (9HX (DV6ATED4))		Diesel	FWD	1560	66	90	04.07-10.12	■
1.6 HDi (9HP (DV6DTE))		Diesel	FWD	1560	68	92	11.09-03.13	■
207 (WA_, WC_) 02.06-				Hatchback (Supermini car-B Segment)				
1.4 (KFV (TU3A))		Gasolina	FWD	1360	53	72	02.06-10.13	■
1.4 (KFT (TU3A))		Gasolina	FWD	1360	54	73	04.06-10.13	■
1.4 (KFT (TU3AE5))		Gasolina	FWD	1360	54	73	04.06-10.13	■
1.4 (KFV (TU3A))		Gasolina	FWD	1360	54	73	04.06-10.13	■
1.4 (KFV (TU3A))		Gasolina	FWD	1360	55	75	08.08-12.15	■
1.4 (KFW (TU3A))		Gasolina	FWD	1360	55	75	08.08-12.15	■
1.4 16V (KFU (ET3J4))		Gasolina	FWD	1360	65	88	02.06-10.13	■
1.4 16V (8FS (EP3))		Gasolina	FWD	1397	70	95	06.07-10.13	■
1.4 16V (EP3)		Gasolina	FWD	1397	70	95	06.07-10.13	■
1.4 16V (EP3C)		Gasolina	FWD	1397	70	95	06.07-10.13	■
1.4 16V (8FR (EP3))		Gasolina	FWD	1397	72	98	10.09-12.12	■
1.4 BiFuel (KFV (TU3A))		Gasol./Gas (LPG)	FWD	1360	54	73	08.07-12.13	■
1.4 Bioflex		Gasol./Etanol	FWD	1360	60	82	08.08-12.14	■
1.4 HDi (8HR (DV4C))		Diesel	FWD	1398	50	68	02.06-12.15	■
1.4 HDi (8HZ (DV4TD))		Diesel	FWD	1398	50	68	02.06-12.15	■
1.4 HDi (8HZ (DV4TD))		Diesel	FWD	1398	52	70	02.11-12.15	■
1.6 HDi (9HP (DV6DTE))		Diesel	FWD	1560	68	92	11.09-12.12	■
207 / 207 PASION 12.07-				Saloon (Supermini car-B Segment)				
1.4 (KFT (TU3A))		Gasolina	FWD	1360	54	73	12.07-12.12	■
1.4 (KFV (TU3A))		Gasolina	FWD	1360	54	73	12.07-12.12	■
1.4		Gasolina	FWD	1360	55	75	01.11-12.12	■
1.4 Flex (KFW (TU3JP))		Gasol./Etanol	FWD	1360	60	82	11.08-12.14	■
207 SW (WK_) 02.07-				Estate (Supermini car-B Segment)				
1.4 (KFT (TU3A))		Gasolina	FWD	1360	54	73	06.07-12.12	■
1.4 (KFV (TU3A))		Gasolina	FWD	1360	54	73	06.07-12.12	■
1.4 16V (8FS (EP3))		Gasolina	FWD	1397	70	95	06.07-10.13	■
1.4 16V (EP3)		Gasolina	FWD	1397	70	95	06.07-10.13	■
1.4 16V (EP3C)		Gasolina	FWD	1397	70	95	06.07-10.13	■
1.4 LPG (KFV (TU3A))		Gasol./Gas (LPG)	FWD	1360	54	73	08.07-12.12	■
1.4 Flex		Gasol./Etanol	FWD	1360	59	80	08.08-01.13	■
208 (CR_) 02.13-12.19				Hatchback Van (LCVs-N1 Segment)				
1.2 VTI 68 / PureTech 68 (CRHMP6, CRHMM6) (HMM (EB2FAD))		Gasolina	FWD	1199	50	68	06.15-12.19	■
1.2 VTI 68 / PureTech 68 (CRHMP6, CRHMM6) (HMP (EB2FB))		Gasolina	FWD	1199	50	68	06.15-12.19	■
1.2 VTI 82 / PureTech 82 (CRHMZ6, CRHMRP) (HMR (EB2FA))		Gasolina	FWD	1199	60	82	06.15-12.19	■
1.2 VTI 82 / PureTech 82 (CRHMZ6, CRHMRP) (HMZ (EB2))		Gasolina	FWD	1199	60	82	06.15-12.19	■
1.2 VTI 82 / PureTech 82 (CRHMZ6, CRHMRP) (HMZ (EB2F))		Gasolina	FWD	1199	60	82	06.15-12.19	■
1.5 BlueHDi 100 (YHY (DV5RD))		Diesel	FWD	1499	75	102	05.18-12.19	■

LISTA DE APLICACIONES - BUYERS GUIDE

1.6 BlueHDi 100 (BHY (DV6FD))		Diesel	FWD	1560	73	99	06.15-12.19	■
					Hatchback (Supermini car-B Segment)			
208 (CA_, CC_) 03.12-								
1.2 VTi 68 / PureTech 68 (HMM (EB2FAD))		Gasolina	FWD	1199	50	68	08.16-12.19	■
1.2 VTi 68 / PureTech 68 (HMP (EB2FB))		Gasolina	FWD	1199	50	68	08.16-12.19	■
1.2 PureTech 82 (HMR (EB2FA))		Gasolina	FWD	1199	61	82	03.18-12.19	■
1.2 PureTech 82 (HMZ (EB2F))		Gasolina	FWD	1199	61	82	03.18-12.19	■
1.6 (EC5F)		Gasolina	FWD	1587	85	116	01.13-12.19	■
1.6 THP 165 (5GZ (EP6FDT))		Gasolina	FWD	1598	121	165	03.15-12.19	■
1.4 GPL (EP3C)		Gasol./Gas (LPG)	FWD	1397	70	95	10.13-12.19	■
1.5 Flex		Gasol./Etanol	FWD	1449	68	92	01.13-12.16	■
1.5 BlueHDi 100 (YHY (DV5RD))		Diesel	FWD	1499	75	102	05.18-12.19	■
1.6 BlueHDi 100 (BHY (DV6FD))		Diesel	FWD	1560	73	100	01.15-12.19	■
1.6 e-HDi (9HR (DV6C))		Diesel	FWD	1560	82	112	07.15-12.19	■
1.6 HDi (BHX (DV6FC))		Diesel	FWD	1560	85	116	01.15-12.19	■
1.6 BlueHDi 120 (BHZ (DV6FC))		Diesel	FWD	1560	88	120	01.15-12.19	■
					Hatchback (Supermini car-B Segment)			
208 II (UB_, UP_, UW_, UJ_) 06.19-								
1.2 PureTech 75 (HMH (EB2FAD))		Gasolina	FWD	1199	55	75	06.19-	■
1.2 VTi 82		Gasolina	FWD	1199	60	82	06.19-	■
1.2 PureTech 100 (HMK (EB2ADT))		Gasolina	FWD	1199	74	101	06.19-	■
1.2 PureTech 130 (HNS (EB2ADTS))		Gasolina	FWD	1199	96	131	06.19-	■
1.2 PureTech 130 (HNY (EB2DTS))		Gasolina	FWD	1199	96	131	06.19-	■
1.6 VTi 115 (UWNFPW, UWNFJW)		Gasolina	FWD	1587	85	116	11.19-	■
e-208 (ZKX (ZK01))		Eléctrico	FWD		100	136	06.19-	■
1.5 BlueHDi 100 (YHY (DV5RD))		Diesel	FWD	1499	75	102	06.19-	■
1.5 BlueHDi 130 (YHZ (DV5RC))		Diesel	FWD	1499	96	131	09.19-	■
1.6 HDi 90 (UB9HPA)		Diesel	FWD	1560	68	92	10.19-	■
					Saloon (Compact car-C Segment)			
301 11.12-								
1.2 VTi 72 (HMY (EB2M))		Gasolina	FWD	1199	53	72	11.12-	■
1.2 VTi 82 (HMZ (EB2F))		Gasolina	FWD	1199	60	82	12.14-	■
1.2 PureTech 82 (HMR (EB2FA))		Gasolina	FWD	1199	61	83	02.18-	■
1.6 VTi 115 (NFP (EC5))		Gasolina	FWD	1587	85	115	11.12-	■
1.6 LPG (NFP (EC5))		Gasol./Gas (LPG)	FWD	1587	85	116	07.14-	■
1.5 BlueHDi 100 (YHY (DV5RD))		Diesel	FWD	1499	75	102	05.18-	■
1.6 HDi 90 (9HF (DV6DTE))		Diesel	FWD	1560	68	92	11.12-	■
1.6 HDi 90 (9HJ (DV6DTE))		Diesel	FWD	1560	68	92	11.12-	■
1.6 BlueHDi 100 (BHY (DV6FD))		Diesel	FWD	1560	73	99	04.14-	■
					Estate (Compact car-C Segment)			
307 (3E) 03.02-								
1.4 (KFW (TU3JP))		Gasolina	FWD	1360	55	75	04.02-09.03	■
1.4 16V (KFU (ET3J4))	vehicles without ESP	Gasolina	FWD	1360	65	88	11.03-07.07	■
1.6 16V (NFU (TU5JP4))	vehicles without ESP	Gasolina	FWD	1587	80	109	03.02-04.08	■
1.4 HDi (8HZ (DV4TD))		Diesel	FWD	1398	50	68	03.02-06.05	■
2.0 HDi 90 (RHY (DW10TD))	vehicles without ESP	Diesel	FWD	1997	66	90	03.02-04.08	■
					Hatchback (Compact car-C Segment)			
307 (3A/C) 08.00-								
1.4 (KFW (TU3JP))		Gasolina	FWD	1360	55	75	08.00-09.03	■
1.4 16V (KFU (ET3J4))	vehicles without ESP	Gasolina	FWD	1360	65	88	11.03-07.07	■
1.6 16V (NFU (TU5JP4))	vehicles without ESP	Gasolina	FWD	1587	80	109	08.00-11.07	■
1.6 (NFU (TU5JP4))		Gasolina	FWD	1587	81	110	07.06-04.12	■

LISTA DE APLICACIONES - BUYERS GUIDE

1.6 BioFlex (NFU (TU5JP4))		Gasol./Etanol	FWD	1587	80	109	09.07-04.09	■	
1.6 Flex (N6A (TU5JP4))		Gasol./Etanol	FWD	1587	83	113	07.06-12.12	■	
1.4 HDi (8HX (DV4TD))		Diesel	FWD	1398	50	68	10.01-06.05	■	
1.4 HDi (8HZ (DV4TD))		Diesel	FWD	1398	50	68	10.01-06.05	■	
1.6 HDi (9HV (DV6TED4B))		Diesel	FWD	1560	66	90	04.05-03.09	■	
1.6 HDi (9HV (DV6TED4BU))		Diesel	FWD	1560	66	90	04.05-03.09	■	
1.6 HDi (9HX (DV6ATED4))		Diesel	FWD	1560	66	90	04.05-03.09	■	
2.0 HDI 90 (RHY (DW10TD))	vehicles without ESP	Diesel	FWD	1997	66	90	08.00-03.07	■	
307 01.01-					Saloon (Compact car-C Segment)				
1.6		Gasolina	FWD	1587	81	110	08.06-12.12	■	
307 SW (3E_, 3H_) 04.02-12.09					Estate Van (Compact car-C Segment)				
1.4 HDi (8HZ (DV4TD))		Diesel	FWD	1398	51	69	04.02-06.05	■	
307 SW (3H) 03.02-					Estate (Compact car-C Segment)				
1.4 (KFW (TU3JP))		Gasolina	FWD	1360	55	75	04.02-09.03	■	
1.4 16V (KFU (ET3J4))		Gasolina	FWD	1360	65	88	11.03-07.07	■	
1.4 HDi 70		Diesel	FWD	1398	50	68	03.02-06.05	■	
1.4 HDi		Diesel	RWD	1398	51	69	04.02-06.05	■	
PARTNER (5_, G_) 03.97-07.08					Platform/Chassis (LCVs-N1 Segment)				
1.6		Gasolina	FWD	1587	80	109	09.00-05.08	■	
1.9 D (WJY (DW8B))		Diesel	FWD	1868	51	69	01.99-07.08	■	
1.9 D (WJZ (DW8))		Diesel	FWD	1868	51	69	01.99-07.08	■	
2.0 HDi		Diesel	FWD	1997	66	90	11.02-07.08	■	
PARTNER / GRAND RAID / RANCH (5_, G_) 05.96-12.15					MPV (Compact MPV-M1 Segment)				
1.1 (HDZ (TU1M))	vehicles without ESP	Gasolina	FWD	1124	44	60	06.96-10.02	■	
1.1 (HFX (TU1JP))	vehicles without ESP	Gasolina	FWD	1124	44	60	06.96-10.02	■	
1.4 (KFW (TU3JP))	vehicles without ESP	Gasolina	FWD	1360	54	73	11.02-10.06	■	
1.4 (KFW (TU3A))	10/02-, vehicles without ESP	Gasolina	FWD	1360	55	75	06.96-12.15	■	
1.4 (KFW (TU3JP))	10/02-, vehicles without ESP	Gasolina	FWD	1360	55	75	06.96-12.15	■	
1.4 (KFX (TU3JP))	10/02-, vehicles without ESP	Gasolina	FWD	1360	55	75	06.96-12.15	■	
1.6 16V (NFU (TU5JP4))	12/02-	Gasolina	FWD	1587	80	109	07.01-03.08	■	
1.8 (LFX (XU7JB))	10/02-, vehicles without ESP	Gasolina	FWD	1761	66	90	05.97-12.02	■	
1.6 HDi 75 (9HW (DV6BTED4))	vehicles without ESP	Diesel	FWD	1560	55	75	08.05-07.08	■	
1.6 HDi 90 (9HX (DV6ATED4))	vehicles without ESP	Diesel	FWD	1560	66	90	08.05-12.15	■	
1.6 HDi 92 (9HJ (DV6DTEDM))		Diesel	FWD	1560	68	92	11.09-12.10	■	
1.6 HDi 92 (9HP (DV6DTE))		Diesel	FWD	1560	68	92	11.09-12.10	■	
1.9 D (WJY (DW8B))	10/02-, vehicles without ESP	Diesel	FWD	1868	51	69	01.99-07.08	■	
1.9 D (WJZ (DW8))	10/02-, vehicles without ESP	Diesel	FWD	1868	51	69	01.99-07.08	■	
1.9 D 4x4 (WJY (DW8B))	vehicles without ESP	Diesel	4WD	1868	51	69	04.04-08.05	■	
1.9 D (DJY (XUD9A))	10/02-, vehicles without ESP	Diesel	FWD	1905	50	68	06.96-12.02	■	
2.0 HDi (RHY (DW10TD))	10/02-, vehicles without ESP	Diesel	FWD	1997	66	90	02.00-07.08	■	
2.0 HDi 4x4 (RHY (DW10TD))	vehicles without ESP	Diesel	4WD	1997	66	90	04.04-08.05	■	
PARTNER / RANCH (5_, G_) 06.96-12.15					Box Body/MPV (LCVs-N1 Segment)				
1.1 (HDZ (TU1M))	10/02-, vehicles without ESP	Gasolina	FWD	1124	44	60	06.96-09.05	■	
1.4		Gasolina	FWD	1360	48	65	10.05-12.10	■	
1.4 (KFV (TU3A))	vehicles without ESP	Gasolina	FWD	1360	54	73	11.02-10.06	■	
1.4 (KFW (TU3A))	10/02-, vehicles without ESP	Gasolina	FWD	1360	55	75	06.96-12.15	■	
1.4 (KFX (TU3JP))	10/02-, vehicles without ESP	Gasolina	FWD	1360	55	75	06.96-12.15	■	
1.4 (TU32)	10/02-, vehicles without ESP	Gasolina	FWD	1360	55	75	06.96-12.15	■	

LISTA DE APLICACIONES - BUYERS GUIDE

1.4 BiFuel		Gasol./Gas (LPG)	FWD	1360	55	75	04.03-10.06	■	
1.4 CNG (KFW (TU3JP))	vehicles without ESP	Gasol./Gas (CNG)	FWD	1360	55	75	04.03-10.06	■	
1.6 BioFlex (NFU (TU5JP4))		Gasol./Etanol	FWD	1587	80	109	09.00-10.02	■	
Electric (ELSA18)		Eléctrico	FWD		25	34	06.96-12.02	■	
1.6 HDi 75 (9HW (DV6BTED4))	vehicles without ESP	Diesel	FWD	1560	55	75	08.05-12.11	■	
1.6 HDi 75 (9HK (DV6ETEDM))		Diesel	FWD	1560	55	75	08.05-07.08	■	
1.6 HDi 90 (9HX (DV6ATED4))	vehicles without ESP	Diesel	FWD	1560	66	90	08.05-12.15	■	
1.6 HDi 92 (9HJ (DV6DTEEDM))		Diesel	FWD	1560	68	92	11.09-12.10	■	
1.6 HDi 92 (9HP (DV6DTEED))		Diesel	FWD	1560	68	92	11.09-12.10	■	
1.8 D (A9A (XUD7))	10/02-, vehicles without ESP	Diesel	FWD	1769	43	58	06.96-12.02	■	
1.9 D (WJY (DW8B))	10/02-, vehicles without ESP	Diesel	FWD	1868	51	69	06.96-12.15	■	
1.9 D (WJZ (DW8))	10/02-, vehicles without ESP	Diesel	FWD	1868	51	69	06.96-12.15	■	
1.9 D 4x4 (WJY (DW8B))	vehicles without ESP	Diesel	4WD	1868	51	69	04.04-07.11	■	
1.9 D (DJY (XUD9A))	10/02-, vehicles without ESP	Diesel	FWD	1905	51	69	06.96-12.02	■	
2.0 HDi (RHY (DW10TD))	10/02-, vehicles without ESP	Diesel	FWD	1997	66	90	04.00-07.08	■	
2.0 HDi 4x4 (RHY (DW10TD))	vehicles without ESP	Diesel	4WD	1997	66	90	04.04-08.05	■	
PARTNER II ORIGIN (G_) 07.08-12.15					Box Body/MPV (LCVs-N1 Segment)				
Electric (MD200175)		Eléctrico	FWD		42	57	01.11-12.12	■	
1.9 D (WJY (DW8B))		Diesel	FWD	1868	51	69	08.08-12.15	■	
PARTNER II ORIGIN (G_) 07.08-12.13					MPV (Compact MPV-M1 Segment)				
1.9 D (WJY (DW8B))		Diesel	FWD	1868	51	69	08.08-12.13	■	
VAUXHALL									
CORSA Mk V (F) 07.19-					Hatchback (Supermini car-B Segment)				
1.2 (F 12 XEL (EB2FAD))		Gasolina	FWD	1199	55	75	07.19-	■	
1.2 (F 12 XHL (EB2ADTD))		Gasolina	FWD	1199	74	101	07.19-	■	
1.2		Gasolina	FWD	1199	96	131	11.20-	■	
CORSA-e (ZKX (ZK01))		Eléctrico	FWD		100	136	07.19-	■	
1.5 (D 15 DT (DV5RD))		Diesel	FWD	1499	75	102	07.19-	■	
CROSSLAND X (P17) 03.17-					SUV (Subcompact SUV-B Segment)				
1.2 (75) (B 12 XE (EB2F))		Gasolina	FWD	1199	61	83	03.17-	■	
1.2 (75) (D 12 XE (EB2FA))		Gasolina	FWD	1199	61	83	03.17-	■	
1.2 (75) (B 12 XHL (EB2DT))		Gasolina	FWD	1199	81	110	03.17-	■	
1.2 (75) (B 12 XHT (EB2DTS))		Gasolina	FWD	1199	81	110	03.17-	■	
1.2 (75) (D 12 XHL (EB2ADT))		Gasolina	FWD	1199	81	110	03.17-	■	
1.2 (75) (B 12 XHT (EB2DTS))		Gasolina	FWD	1199	96	131	03.17-	■	
1.2 (75) (D 12 XHT (EB2ADTS))		Gasolina	FWD	1199	96	131	03.17-	■	
1.2 (75) (F 12 XHT (EB2ADTS))		Gasolina	FWD	1199	96	131	03.17-	■	
1.5 Turbo D (75) (D 15 DT (DV5RD))		Diesel	FWD	1499	75	102	06.18-	■	
1.5 Turbo D ((75))		Diesel	FWD	1499	81	110	10.20-	■	
1.5 Turbo D (75) (D 15 DTH (DV5RC))		Diesel	FWD	1499	88	120	08.18-	■	
1.6 Turbo D(75) (B 16 DT (DV6FD))		Diesel	FWD	1560	73	99	03.17-05.18	■	
1.6 Turbo D(75) (B 16 DTH (DV6FC))		Diesel	FWD	1560	88	120	03.17-05.18	■	