

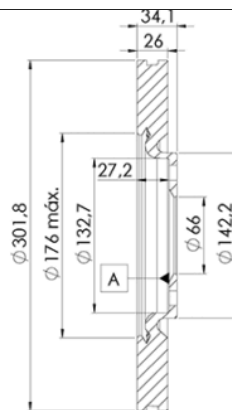
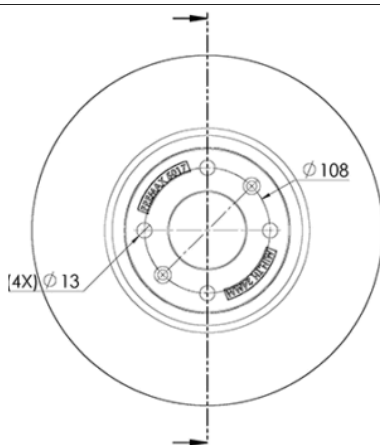
LISTA DE APLICACIONES - BUYERS GUIDE

78BD5017-2



Weight: 15.520

O.E.M.	MAKE
1611841780	PEUGEOT
1618864980	PEUGEOT
1687772780	PEUGEOT
4249.64	PEUGEOT
4249.80	PEUGEOT
4249.81	PEUGEOT
4249.86	PEUGEOT
4249.J8	PEUGEOT
9801876680	CITROËN



78BD5017-2



Ø302x26x34.5

MAKE
CITROËN
DS
DS (CAPSA)
OPEL
PEUGEOT
VAUXHALL



Trac.	CC	Kw	CV
-------	----	----	----



Front / Rear

CITROËN

C4 (LA_) 11.04-12.13							Coupe (Compact car-C Segment)			
2.0 16V (RFK (EW10J4S))	-07/10	Gasolina	FWD	1997	130	177	11.04-12.10	■		
2.0 HDi (RHR (DW10BTED4))	-07/10	Diesel	FWD	1997	100	136	11.04-12.10	■		
2.0 HDi (RHF (DW10BTED4))	-07/10	Diesel	FWD	1997	103	140	07.08-07.11	■		
C4 (LC_) 11.04-12.14							Hatchback (Compact car-C Segment)			
2.0 16V (RFK (EW10J4S))		Gasolina	FWD	1997	130	177	11.04-07.08	■		
2.0 HDi (RHR (DW10BTED4))	-09/10	Diesel	FWD	1997	100	136	11.04-07.11	■		
2.0 HDi (RHF (DW10BTED4))	-09/10	Diesel	FWD	1997	103	140	07.08-07.11	■		
C4 II (NC_) 02.09-							Hatchback (Compact car-C Segment)			
1.6 THP 155 (5FV (EP6CDT))		Gasolina	FWD	1598	115	156	11.09-12.16	■		
2.0 HDi / BlueHDi 150 (AHR (DW10FD))		Diesel	FWD	1997	110	150	11.09-	■		
2.0 HDi / BlueHDi 150 (RHE (DW10CTED4))		Diesel	FWD	1997	110	150	11.09-	■		
2.0 HDi / BlueHDi 160 (RHH (DW10CTED4))		Diesel	FWD	1997	120	163	10.10-	■		
C4 III (BA_, BB_, BC_) 10.20-							Hatchback (Compact car-C Segment)			
1.2 PureTech 100 (BAHNEA, BAHNKA)		Gasolina	FWD	1199	74	101	04.21-	■		
1.2 PureTech 130 (BAHNSA, BAHNSB)		Gasolina	FWD	1199	96	131	10.20-	■		
1.2 PureTech 155 (BAHNNB, BAHNJD)	-Org. 16260, -05/21	Gasolina	FWD	1199	114	155	01.21-	■		
è-C4 (BCZKXC, BZCKSC)		Eléctrico	FWD		100	136	10.20-	■		
BLUEHDI 110 (BBYHSA)	-Org. 16260, -05/21	Diesel	FWD	1499	81	110	12.20-	■		
1.5 BlueHDi 130 (BBYHZB)		Diesel	FWD	1499	96	131	10.20-	■		
DS4 (NX_) 03.11-07.15							Hatchback (Compact car-C Segment)			
1.6 THP 150 (5FE (EP6CDTMD))		Gasolina	FWD	1598	110	150	04.11-07.15	■		

LISTA DE APLICACIONES - BUYERS GUIDE

1.6 THP 155 (5FV (EP6CDT))		Gasolina	FWD	1598	115	156	04.11-07.15	■	
1.6 THP160 (5FM (EP6CDTM))		Gasolina	FWD	1598	120	163	04.12-07.15	■	
1.6 THP 165 (5FM (EP6CDTM))		Gasolina	FWD	1598	121	165	01.12-07.15	■	
1.6 THP 165 (5GZ (EP6FDT))		Gasolina	FWD	1598	121	165	01.12-07.15	■	
2.0 HDi / BlueHDi 135 (AHS (DW10FD))		Diesel	FWD	1997	100	136	09.11-07.15	■	
2.0 HDi / BlueHDi 135 (AHV (DW10FD))		Diesel	FWD	1997	100	136	09.11-07.15	■	
2.0 HDi / BlueHDi 135 (RHD (DW10CB))		Diesel	FWD	1997	100	136	09.11-07.15	■	
2.0 HDi / BlueHDi 135 (RHD (DW10CTED4))		Diesel	FWD	1997	100	136	09.11-07.15	■	
2.0 HDi 165 (RHH (DW10CTED4))		Diesel	FWD	1997	120	163	04.11-07.15	■	
DS5 09.11-12.16							Hatchback (Compact executive car-D Segment)		
1.6 THP 150 (5FE (EP6CDTMD))		Gasolina	FWD	1598	110	150	11.11-07.15	■	
1.6 THP 155 (5FV (EP6CDT))		Gasolina	FWD	1598	115	156	11.11-07.15	■	
1.6 THP 165 (5FM (EP6CDTM))		Gasolina	FWD	1598	121	165	01.12-07.15	■	
1.6 THP 165 (5FM (EP6DT))		Gasolina	FWD	1598	121	165	01.12-07.15	■	
1.6 THP 165 (5GZ (EP6FDT))		Gasolina	FWD	1598	121	165	01.12-07.15	■	
1.6 THP200 (5FU (EP6DTX))		Gasolina	FWD	1598	147	200	11.11-07.15	■	
1.6 THP 165 Hybrid (5GZ (EP6FDT))		Gasol./el éc.	FWD	1598	121	165	06.12-07.15	■	
2.0 HDi 135 Hybrid4		Gasol./el éc.	4WD	1997	100	136	12.11-	■	
2.0 HDi 165 Hybrid4 4x4 (RHC (DW10CTED4))		Diesel/el éc.	4WD	1997	120	163	12.11-07.15	■	
2.0 HDi 200 Hybrid4 A las 4 ruedas		Diesel/el éc.	4WD	1997	147	200	12.11-07.15	■	
1.6 HDi 110 (9HR (DV6C))		Diesel	FWD	1560	82	112	11.11-07.15	■	
1.6 HDi 115 (9HD (DV6C))		Diesel	FWD	1560	84	114	06.12-07.15	■	
2.0 HDi 135 (RHD (DW10CB))		Diesel	FWD	1997	100	136	11.11-07.15	■	
2.0 BlueHDi 150 (AHX (DW10FD))		Diesel	FWD	1997	110	150	07.14-07.15	■	
2.0 HDi 165 (RHH (DW10CTED4))		Diesel	FWD	1997	120	163	11.11-07.15	■	
2.0 BlueHDi 180 (AHW (DW10FC))		Diesel	FWD	1997	133	180	08.13-07.15	■	
DS									
DS 3 CROSSBACK (UR_, UC_, UJ_) 10.18-							Hatchback (City car-A Segment)		
1.2 PureTech 100 (URHNKK, URHNEK) (HNK (EB2ADTD))		Gasolina	FWD	1199	74	101	10.18-	■	
1.2 PureTech 130 (URHNSS) (HNS (EB2ADTS))		Gasolina	FWD	1199	96	131	10.18-	■	
1.2 PureTech 155 (URHNNS) (HNN (EB2ADTX))		Gasolina	FWD	1199	115	156	10.18-12.22	■	
E-TENSE (UZKXZ) (ZKX)		Eléctrico	FWD		100	136	05.19-12.22	■	
1.5 BlueHDi 100 (UCYHYJ) (YHY (DV5RD))		Diesel	FWD	1499	75	102	10.18-12.22	■	
1.5 BlueHDi 110 (UCYHSK)		Diesel	FWD	1499	81	110	01.21-12.22	■	
1.5 BlueHDi 130 (UCYHZR) (YHZ (DV5RC))		Diesel	FWD	1499	96	130	10.18-	■	
DS 4 / DS 4 CROSSBACK (NX_) 07.15-							Hatchback (Compact car-C Segment)		
1.6 THP 150 (5FE (EP6CDTMD))		Gasolina	FWD	1598	110	150	10.16-12.18	■	
1.6 THP160 (5FM (EP6CDTM))		Gasolina	FWD	1598	120	163	07.15-12.18	■	
1.6 THP 165 (5GZ (EP6FDT))		Gasolina	FWD	1598	121	165	07.15-12.18	■	
2.0 BlueHDi 150 (AHR (DW10FD))		Diesel	FWD	1997	110	150	07.15-12.18	■	
DS 5 (KF_) 01.15-12.18							Hatchback (Compact executive car-D Segment)		
1.6 THP 165 (KF5GZT) (5GZ (EP6FDT))		Gasolina	FWD	1598	121	165	07.15-12.18	■	
1.6 THP 210 (5GM (EP6FDTX))		Gasolina	FWD	1598	155	210	04.15-12.18	■	
1.6 BlueHDi 115 (BHX (DV6C))		Diesel	FWD	1560	85	116	06.15-12.18	■	
1.6 BlueHDi 120 (BHZ (DV6FC))		Diesel	FWD	1560	88	120	06.15-12.18	■	
2.0 BlueHDi 135 (AHV (DW10FDD))		Diesel	FWD	1997	100	136	06.15-12.18	■	

LISTA DE APLICACIONES - BUYERS GUIDE

2.0 BlueHDi 150 (AHR (DW10FD))		Diesel	FWD	1997	110	150	04.15-12.18	■	
2.0 BlueHDi 180 (AHW (DW10FC))		Diesel	FWD	1997	133	180	04.15-12.18	■	
DS (CAPSA)									
DS 5 09.13-							Hatchback ()		
1.6 THP160 (5F06 10FJBZ (EP6CDTM))		Gasolina	FWD	1598	120	163	09.13-12.17	■	
1.6 THP200 (5F03 (EP6CDTX))		Gasolina	FWD	1598	147	200	09.13-12.15	■	
1.8 THP 200 (6G01 10UF51 (EP8FDT))		Gasolina	FWD	1751	150	204	09.15-12.20	■	
DS 5 LS 01.14-							Saloon ()		
1.6 THP160 (5F06 10FJBZ (EP6CDTM))		Gasolina	FWD	1598	120	163	03.14-	■	
1.6 THP200 (5F03 (EP6CDTX))		Gasolina	FWD	1598	147	200	03.14-	■	
1.8 VTi 140 (WFZ (EC8))		Gasolina	FWD	1813	102	139	01.14-12.15	■	
OPEL									
CORSA F (P2JO) 07.19-							Hatchback (Supermini car-B Segment)		
1.2 (68) (F 12 XEL (EB2FAD))		Gasolina	FWD	1199	55	75	07.19-	■	
1.2 (68) (F 12 XHL (EB2ADTD))		Gasolina	FWD	1199	74	101	07.19-	■	
1.2 (68) (F 12 XHT (EB2ADTS))		Gasolina	FWD	1199	96	131	07.19-	■	
Corsa-e (68) (ZKX (ZK01))		Eléctrico	FWD		100	136	07.19-	■	
1.5 (68) (D 15 DT (DV5RD))		Diesel	FWD	1499	75	102	07.19-	■	
CORSA F Van 07.19-							Hatchback Van (Supermini car-B Segment)		
1.2 (68) (F 12 XEL (EB2FAD))		Gasolina	FWD	1199	55	75	07.19-	■	
1.5 (68) (D 15 DT (DV5RD))		Diesel	FWD	1499	75	102	07.19-	■	
MOKKA II 06.20-							SUV (Mini SUV-J Segment)		
MOKKA-e (76)		Eléctrico	FWD		100	136	06.20-	■	
PEUGEOT									
2008 II (UD_, US_, UY_, UJ_, UR_, UC_) 08.19-							SUV (Compact SUV-J Segment)		
1.2 PureTech 100 (USHNK) (HNK (EB2ADTD))		Gasolina	FWD	1199	74	101	11.19-	■	
1.2 PureTech 130 (USHNS, URHNS) (HNS (EB2ADTS))		Gasolina	FWD	1199	96	131	08.19-	■	
1.2 THP / PureTech 155 (USHNNS, URHNNS, UXHNJP, URHNJP,... (HNJ (EB2ADTXM))		Gasolina	FWD	1199	114	155	11.19-	■	
1.2 THP / PureTech 155 (USHNNS, URHNNS, UXHNJP, URHNJP,... (HNN (EB2ADTX))		Gasolina	FWD	1199	114	155	11.19-	■	
1.2 THP / PureTech 155 (USHNNS, URHNNS, UXHNJP, URHNJP,... (HNR (EB2ADTXM))		Gasolina	FWD	1199	114	155	11.19-	■	
e-2008 (UKZKXZ) (ZKX (ZK01))		Eléctrico	FWD		100	136	09.19-	■	
1.5 BlueHDi 100 (YHY (DV5RD))		Diesel	FWD	1499	75	102	08.19-	■	
1.5 BlueHDI 110 (UDYHSK)		Diesel	FWD	1499	81	110	01.21-	■	
1.5 BlueHDi 130 (YHZ (DV5RC))		Diesel	FWD	1499	96	131	08.19-	■	
208 (CR_) 02.13-12.19							Hatchback Van (LCVs-N1 Segment)		
1.2 VTI 68 / PureTech 68 (CRHMP6, CRHMM6) (HMM (EB2FAD))		Gasolina	FWD	1199	50	68	06.15-12.19	■	
1.2 VTI 68 / PureTech 68 (CRHMP6, CRHMM6) (HMP (EB2FB))		Gasolina	FWD	1199	50	68	06.15-12.19	■	
1.2 VTI 82 / PureTech 82 (CRHMZ6, CRHMRP) (HMR (EB2FA))		Gasolina	FWD	1199	60	82	06.15-12.19	■	
1.2 VTI 82 / PureTech 82 (CRHMZ6, CRHMRP) (HMZ (EB2))		Gasolina	FWD	1199	60	82	06.15-12.19	■	
1.2 VTI 82 / PureTech 82 (CRHMZ6, CRHMRP) (HMZ (EB2F))		Gasolina	FWD	1199	60	82	06.15-12.19	■	
1.4 HDi 68 (CR8HR0) (8HR (DV4C))		Diesel	FWD	1398	50	68	02.13-12.19	■	
1.5 BlueHDi 100 (YHY (DV5RD))		Diesel	FWD	1499	75	102	05.18-12.19	■	
1.6 BlueHDI 75 (BHW (DV6FE))		Diesel	FWD	1560	55	75	04.15-12.19	■	
1.6 HDI 92 (9HP (DV6DTE))		Diesel	FWD	1560	68	92	03.14-12.19	■	

LISTA DE APLICACIONES - BUYERS GUIDE

208 (CA_, CC_) 03.12-					Hatchback (Supermini car-B Segment)			
1.0 VTi (ZMZ (EB0))	Gasolina	FWD	999	50	68	03.12-12.19	■	
1.2 VTi 68 / PureTech 68 (HMM (EB2FAD))	Gasolina	FWD	1199	50	68	08.16-12.19	■	
1.2 VTi 68 / PureTech 68 (HMP (EB2FB))	Gasolina	FWD	1199	50	68	08.16-12.19	■	
1.2 VTi 82 (HMZ (EB2))	Gasolina	FWD	1199	60	82	03.12-12.19	■	
1.2 VTi 82 (HMZ (EB2F))	Gasolina	FWD	1199	60	82	03.12-12.19	■	
1.2 PureTech 82 (HMR (EB2FA))	Gasolina	FWD	1199	61	82	03.18-12.19	■	
1.2 PureTech 82 (HMZ (EB2F))	Gasolina	FWD	1199	61	82	03.18-12.19	■	
1.2 THP 110 (HNP (EB2ADT))	Gasolina	FWD	1199	81	110	01.13-12.19	■	
1.2 THP 110 (HNV (EB2DTM))	Gasolina	FWD	1199	81	110	01.13-12.19	■	
1.2 THP 110 (HNZ (EB2DT))	Gasolina	FWD	1199	81	110	01.13-12.19	■	
1.4 VTi (8FS (EP3))	Gasolina	FWD	1397	70	95	03.12-12.19	■	
1.4 VTi (EP3C)	Gasolina	FWD	1397	70	95	03.12-12.19	■	
1.6 (EC5F)	Gasolina	FWD	1587	85	116	01.13-12.19	■	
1.6 VTi (5FS (EP6C))	Gasolina	FWD	1598	88	120	03.12-12.19	■	
1.6 (5FS (EP6C))	Gasolina	FWD	1598	89	121	09.16-	■	
1.6 THP (5FV (EP6CDT))	Gasolina	FWD	1598	115	156	03.12-12.19	■	
1.6 THP 165 (5GZ (EP6FDT))	Gasolina	FWD	1598	121	165	03.15-12.19	■	
1.6 GTi (CA5FU8) (5FU (EP6CDTX))	Gasolina	FWD	1598	147	200	08.12-12.19	■	
1.6 GTi (5GR (EP6FDTX))	Gasolina	FWD	1598	153	208	10.14-12.19	■	
1.2 GPL (HMZ (EB2F))	Gasol./Gas (LPG)	FWD	1199	60	82	06.15-12.19	■	
1.4 GPL (EP3C)	Gasol./Gas (LPG)	FWD	1397	70	95	10.13-12.19	■	
1.5 Flex	Gasol./Etanol	FWD	1449	68	92	01.13-12.16	■	
1.4 HDi (8HP (DV4C))	Diesel	FWD	1398	50	68	03.12-12.19	■	
1.4 HDi (8HR (DV4C))	Diesel	FWD	1398	50	68	03.12-12.19	■	
1.5 BlueHDi 100 (YHY (DV5RD))	Diesel	FWD	1499	75	102	05.18-12.19	■	
1.6 HDi / BlueHDi 75 (9HK (DV6ETEDM))	Diesel	FWD	1560	55	75	01.13-12.19	■	
1.6 HDi / BlueHDi 75 (BHW (DV6FE))	Diesel	FWD	1560	55	75	01.13-12.19	■	
1.6 HDi (9HJ (DV6DTEDE))	Diesel	FWD	1560	68	92	03.12-12.19	■	
1.6 HDi (9HP (DV6DTEDE))	Diesel	FWD	1560	68	92	03.12-12.19	■	
1.6 HDi (9HP (DV6DTEDE))	Diesel	FWD	1560	69	94	09.16-	■	
1.6 BlueHDi 100 (BHY (DV6FD))	Diesel	FWD	1560	73	100	01.15-12.19	■	
1.6 e-HDi (9HR (DV6C))	Diesel	FWD	1560	82	112	07.15-12.19	■	
1.6 HDi (9HD (DV6C))	Diesel	FWD	1560	84	114	03.12-12.19	■	
1.6 HDi (BHX (DV6FC))	Diesel	FWD	1560	85	116	01.15-12.19	■	
1.6 BlueHDi 120 (BHZ (DV6FC))	Diesel	FWD	1560	88	120	01.15-12.19	■	
208 II (UB_, UP_, UW_, UJ_) 06.19-					Hatchback (Supermini car-B Segment)			
1.2 PureTech 75 (HMH (EB2FAD))	Gasolina	FWD	1199	55	75	06.19-	■	
1.2 VTi 82	Gasolina	FWD	1199	60	82	06.19-	■	
1.2 PureTech 100 (HNK (EB2ADT))	Gasolina	FWD	1199	74	101	06.19-	■	
1.2 PureTech 130 (HNS (EB2ADTS))	Gasolina	FWD	1199	96	131	06.19-	■	
1.2 PureTech 130 (HNY (EB2DTS))	Gasolina	FWD	1199	96	131	06.19-	■	
1.6 VTi 115 (UWNFPW, UWNFJW)	Gasolina	FWD	1587	85	116	11.19-	■	
e-208 (ZKX (ZK01))	Eléctrico	FWD		100	136	06.19-	■	
1.5 BlueHDi 100 (YHY (DV5RD))	Diesel	FWD	1499	75	102	06.19-	■	
1.5 BlueHDi 130 (YHZ (DV5RC))	Diesel	FWD	1499	96	131	09.19-	■	
1.6 HDi 90 (UB9HPA)	Diesel	FWD	1560	68	92	10.19-	■	

LISTA DE APLICACIONES - BUYERS GUIDE

					Box Body/MPV (Compact MPV-M1 Segment)				
3008 (0U_) 05.09-12.17									
HDi 150 (0URHEM)		Diesel	FWD	1997	110	150	06.09-08.16	■	
HDi (0URHHT)		Diesel	FWD	1997	120	163	06.09-08.16	■	
3008 (0U_) 05.09-12.17					MPV (Compact MPV-M1 Segment)				
1.6 THP (5FE (EP6CDTM))		Gasolina	FWD	1598	110	150	06.09-08.16	■	
1.6 THP (5FE (EP6CDTMD))		Gasolina	FWD	1598	110	150	06.09-08.16	■	
1.6 THP (5FX (EP6DT))		Gasolina	FWD	1598	110	150	06.09-08.16	■	
1.6 THP (5FV (EP6CDT))		Gasolina	FWD	1598	115	156	06.09-08.16	■	
2.0 BlueHDi 135 Hybrid		Diesel/el éc.	FWD	1997	100	136	01.15-12.16	■	
2.0 BlueHDi 135 Hybrid		Diesel/el éc.	FWD	1997	100	136	09.15-12.16	■	
2.0 BlueHDi 150 Hybrid		Diesel/el éc.	FWD	1997	110	150	01.15-12.16	■	
2.0 HDi Hybrid4 (RHC (DW10CTED4))		Diesel/el éc.	4WD	1997	120	163	02.11-08.16	■	
2.0 HDi Hybrid4 (0URHCA) (RHC (DW10CTED4))		Diesel/el éc.	4WD	1997	147	200	02.11-08.16	■	
2.0 HDi (RHD (DW10CB))		Diesel	FWD	1997	100	136	09.11-08.16	■	
2.0 HDi 150 / BlueHDi 150 (RWRHEJ, RWRHE8) (AHX (DW10FD))		Diesel	FWD	1997	110	150	06.09-08.16	■	
2.0 HDi 150 / BlueHDi 150 (RWRHEJ, RWRHE8) (RHE (DW10CTED4))		Diesel	FWD	1997	110	150	06.09-08.16	■	
2.0 HDi (RHH (DW10CTED4))		Diesel	FWD	1997	120	163	06.09-08.16	■	
					Hatchback (Compact car-C Segment)				
308 (4A_, 4C_) 09.07-									
1.6 THP 16V (5FV (EP6CDT))		Gasolina	FWD	1598	115	156	10.09-10.14	■	
1.6		Gasolina	FWD	1598	120	163	01.12-12.15	■	
1.6 16V (5FY (EP6DTS))		Gasolina	FWD	1598	128	174	03.08-10.14	■	
2.0 HDi (RHR (DW10BTED4))		Diesel	FWD	1997	100	136	09.07-10.14	■	
2.0 HDi (RHR (DW10CB))		Diesel	FWD	1997	100	136	09.07-10.14	■	
2.0 HDi (RHR (DW10BTED4))		Diesel	FWD	1997	103	140	07.10-12.12	■	
2.0 HDi (RHE (DW10CTED4))		Diesel	FWD	1997	110	150	10.11-10.14	■	
2.0 HDi (RHH (DW10CTED4))		Diesel	FWD	1997	120	163	04.12-10.14	■	
					Estate (Compact car-C Segment)				
308 SW (4E_, 4H_) 09.07-									
1.6 16V (5FT (EP6DT))	05/08-, -04/14	Gasolina	FWD	1598	103	140	09.07-10.14	■	
1.6 16V (5FX (EP6DT))	05/08-, -04/14	Gasolina	FWD	1598	110	150	09.07-10.14	■	
1.6 THP 16V (5FV (EP6CDT))		Gasolina	FWD	1598	115	156	10.09-10.14	■	
1.6 16V (5FY (EP6DTS))	05/08-, -04/14	Gasolina	FWD	1598	128	174	03.08-10.14	■	
1.6 HDi (9HV (DV6TED4BU))		Diesel	FWD	1560	66	90	09.07-10.14	■	
1.6 HDi (9HX (DV6ATED4))		Diesel	FWD	1560	66	90	09.07-10.14	■	
1.6 HDi (9HZ (DV6TED4))		Diesel	FWD	1560	80	109	09.07-10.14	■	
2.0 HDi (RHR (DW10BTED4))	05/08-	Diesel	FWD	1997	100	136	09.07-12.12	■	
2.0 HDi (RHR (DW10BTED4))	12/08-, -04/14	Diesel	FWD	1997	103	140	09.07-10.14	■	
2.0 HDi (RHE (DW10CTED4))	-04/14	Diesel	FWD	1997	110	150	04.11-10.14	■	
2.0 HDi (RHH (DW10CTED4))	-04/14	Diesel	FWD	1997	120	163	06.09-10.14	■	
					Convertible (Compact car-C Segment)				
308 CC (4B_) 02.09-									
1.6 16V (5FT (EP6DT))		Gasolina	FWD	1598	103	140	06.09-12.14	■	
1.6 16V (5FX (EP6DT))		Gasolina	FWD	1598	110	150	06.09-12.14	■	
1.6 16V (5FV (EP6CDT))	09/09-	Gasolina	FWD	1598	115	156	06.09-12.14	■	
2.0 HDi (4BRHRH, 4BRHRJ) (RHR (DW10BTED4))		Diesel	FWD	1997	100	136	04.09-12.14	■	
2.0 HDi (RHF (DW10BTED4))		Diesel	FWD	1997	103	140	04.09-12.12	■	
2.0 HDi (RHH (DW10CTED4))		Diesel	FWD	1997	120	163	06.09-12.14	■	

LISTA DE APLICACIONES - BUYERS GUIDE

					Box Body/MPV (Compact MPV-M1 Segment)				
5008 (0U_) 06.09-03.17									
HDi 136 (0URHEM)		Diesel	FWD	1997	100	136	02.12-03.17	■	
HDi 150 (0URHEM)		Diesel	FWD	1997	110	150	06.09-03.17	■	
HDi 165 (0URHHT)		Diesel	FWD	1997	120	163	06.09-03.17	■	
5008 (0U_, 0E_) 06.09-					MPV (Compact MPV-M1 Segment)				
1.2 (HNY (EB2DTS))		Gasolina	FWD	1199	96	131	01.15-03.17	■	
1.6 THP 150 (5FX (EP6DT))		Gasolina	FWD	1598	110	150	02.12-03.17	■	
1.6 16V (5FV (EP6CDT))		Gasolina	FWD	1598	115	156	09.09-03.17	■	
1.6 THP 163 (5GZ (EP6FDT))		Gasolina	FWD	1598	120	163	02.12-03.17	■	
1.6 THP 165 (5GZ (EP6FDT))		Gasolina	FWD	1598	121	165	02.12-03.17	■	
1.6 BlueHDi 115		Diesel	FWD	1560	85	116	11.14-03.17	■	
1.6 BlueHDi 120 (BHZ (DV6FC))		Diesel	FWD	1560	88	120	05.14-03.17	■	
2.0 HDi 136 / BlueHDi 136 (AHV (DW10FD))		Diesel	FWD	1997	100	136	02.12-03.17	■	
2.0 HDi 136 / BlueHDi 136 (RHD (DW10CB))		Diesel	FWD	1997	100	136	02.12-03.17	■	
2.0 HDi 136 / BlueHDi 136 (RHD (DW10CTED4))		Diesel	FWD	1997	100	136	02.12-03.17	■	
2.0 HDi 150 / BlueHDi 150 (RWRHEJ, RWRHE8) (AHX (DW10FD))	09/09-	Diesel	FWD	1997	110	150	06.09-03.17	■	
2.0 HDi 150 / BlueHDi 150 (RWRHEJ, RWRHE8) (RHE (DW10CTED4))	09/09-	Diesel	FWD	1997	110	150	06.09-03.17	■	
2.0 HDi (RHH (DW10CTED4))		Diesel	FWD	1997	120	163	09.09-03.17	■	
VAUXHALL									
					Hatchback (Supermini car-B Segment)				
CORSA Mk V (F) 07.19-									
1.2 (F 12 XEL (EB2FAD))		Gasolina	FWD	1199	55	75	07.19-	■	
1.2 (F 12 XHL (EB2ADTD))		Gasolina	FWD	1199	74	101	07.19-	■	
1.2		Gasolina	FWD	1199	96	131	11.20-	■	
CORSA-e (ZKX (ZK01))		Eléctrico	FWD		100	136	07.19-	■	
1.5 (D 15 DT (DV5RD))		Diesel	FWD	1499	75	102	07.19-	■	
MOKKA II 06.20-					SUV (Mini SUV-J Segment)				
MOKKA-e (76)		Eléctrico	FWD		100	136	06.20-	■	