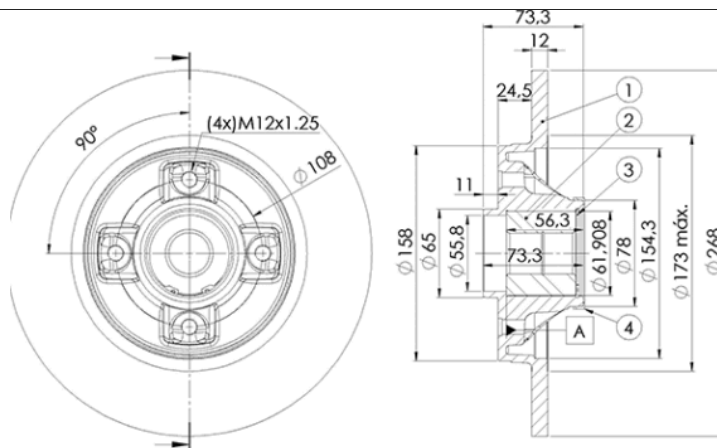


LISTA DE APLICACIONES - BUYERS GUIDE

78BD5023-1



Weight: 6.836



78BD5023-1

E1 90R-02C0559/0131



Ø268x12x74

MAKE

CITROËN

DS

DS (CAPSA)

PEUGEOT



Trac.	CC	Kw	CV
-------	----	----	----



Front / Rear

CITROËN

BERLINGO II (B9) 04.08-

Box Body/MPV (LCVs-N1 Segment)

Model	Engine	Trac.	CC	Kw	CV	Period	Application
PureTech 110 (HNZ (EB2DT))	Gasolina	FWD	1199	81	110	01.18-12.18	■
1.6 (NFR (TU5JP4B))	Gasolina	FWD	1587	66	90	04.08-12.18	■
1.6 (NFU (TU5JP4))	Gasolina	FWD	1587	80	109	04.08-12.18	■
1.6 VTi 95 (5FK (EP6CB))	Gasolina	FWD	1598	72	98	07.10-12.18	■
1.6 VTi 120 (5FS (EP6C))	Gasolina	FWD	1598	88	120	11.09-12.18	■
Electric (Y4F1)	Eléctrico	FWD		35	48	01.13-	■
Electric (Y4F1)	Eléctrico	FWD		49	67	01.13-12.18	■
1.6 HDi / BlueHDi 75 (9HN (DV6ETED))	Diesel	FWD	1560	55	75	07.10-04.20	■
1.6 HDi / BlueHDi 75 (BHW (DV6FE))	Diesel	FWD	1560	55	75	07.10-04.20	■
1.6 HDi 75 (9HT (DV6BTED4))	Diesel	FWD	1560	55	75	04.08-12.18	■
1.6 HDi 75 (9HT (DV6BUTED4))	Diesel	FWD	1560	55	75	04.08-12.18	■
1.6 HDi 75 4x4 (9HN (DV6ETED))	Diesel	4WD	1560	55	75	02.12-12.18	■
1.6 HDi 90 (9HE (DV6DBM))	Diesel	FWD	1560	66	90	07.10-12.17	■
1.6 HDi 90 (9HF (DV6DTED))	Diesel	FWD	1560	66	90	07.10-12.17	■
1.6 HDi 90 16V (9HS (DV6TED4BU))	Diesel	FWD	1560	66	90	04.08-12.18	■
1.6 HDi 90 16V (9HX (DV6AUTED4))	Diesel	FWD	1560	66	90	04.08-12.18	■
1.6 HDi 90 4x4 (9HF (DV6DTED))	Diesel	4WD	1560	66	90	02.12-12.14	■
1.6 HDi 90 (9HJ (DV6DTEDM))	Diesel	FWD	1560	68	92	07.10-12.18	■
1.6 HDi 90 (9HP (DV6DTED))	Diesel	FWD	1560	68	92	07.10-12.18	■
1.6 BlueHDi 100 (BHY (DV6FD))	Diesel	FWD	1560	73	99	12.14-04.21	■
1.6 BlueHDi 100 4x4 (BHY (DV6FD))	Diesel	4WD	1560	73	99	12.14-12.18	■
1.6 HDi 110 (9HZ (DV6TED4))	Diesel	FWD	1560	80	109	04.08-12.18	■
1.6 HDi 110 (9HL (DV6C))	Diesel	FWD	1560	82	112	07.10-12.18	■

LISTA DE APLICACIONES - BUYERS GUIDE

1.6 HDi 110 (9HR (DV6C))		Diesel	FWD	1560	82	112	07.10-12.18	■	
1.6 HDi 115 (9HL (DV6C))		Diesel	FWD	1560	84	114	07.10-12.18	■	
1.6 HDi 115 4x4		Diesel	4WD	1560	84	114	02.12-12.18	■	
1.6 BlueHDi 120 (BHZ (DV6FC))		Diesel	FWD	1560	88	120	12.14-08.18	■	
BERLINGO II (B9) 04.08-							Platform/Chassis (LCVs-N1 Segment)		
1.6 HDi 90 (9HF (DV6DTE))		Diesel	FWD	1560	66	90	07.10-12.18	■	
1.6 HDi 90 16V (9HX (DV6ATED4))		Diesel	FWD	1560	66	90	04.08-12.18	■	
1.6 HDi 92 (9HJ (DV6DTE))		Diesel	FWD	1560	68	92	07.10-12.17	■	
1.6 BlueHDi 100 (BHY (DV6FD))		Diesel	FWD	1560	73	99	12.14-04.21	■	
BERLINGO II MULTISPACE (B9) 04.08-							MPV (Large MPV-M1 Segment)		
1.2 PureTech 110 (HNZ (EB2DT))		Gasolina	FWD	1199	81	110	03.16-12.18	■	
1.4		Gasolina	FWD	1360	55	75	03.09-	■	
1.6 (NFR (TU5JP4B))		Gasolina	FWD	1587	66	90	04.08-12.18	■	
1.6 (NFU (TU5JP4))		Gasolina	FWD	1587	80	109	04.08-12.18	■	
1.6 (NFU (TU5JP4))		Gasolina	FWD	1587	81	110	11.08-12.18	■	
1.6 VTi 95 (5FK (EP6CB))		Gasolina	FWD	1598	72	98	07.10-12.18	■	
1.6 VTi 120 (5FS (EP6C))		Gasolina	FWD	1598	88	120	11.09-12.18	■	
Electric (Y4F1)		Eléctrico	FWD		49	67	09.17-12.18	■	
1.6 HDi 75 / BlueHDi 75 (9HN (DV6ETED))		Diesel	FWD	1560	55	75	04.08-04.20	■	
1.6 HDi 75 / BlueHDi 75 (BHW (DV6FE))		Diesel	FWD	1560	55	75	04.08-04.20	■	
1.6 HDi 75 16V (9HT (DV6BTED4))		Diesel	FWD	1560	55	75	04.08-12.18	■	
1.6 HDi 90 (9HV (DV6TED4B))		Diesel	FWD	1560	66	90	04.08-12.18	■	
1.6 HDi 90 (9HX (DV6ATED4))		Diesel	FWD	1560	66	90	04.08-12.18	■	
1.6 HDi 90 4x4 (9HF (DV6DTE))		Diesel	4WD	1560	66	90	02.12-12.14	■	
1.6 HDi 90 (9HJ (DV6DTE))		Diesel	FWD	1560	68	92	07.10-12.18	■	
1.6 HDi 90 (9HP (DV6DTE))		Diesel	FWD	1560	68	92	07.10-12.18	■	
1.6 BlueHDi 100 (BHY (DV6FD))		Diesel	FWD	1560	73	99	12.14-04.21	■	
1.6 HDi 110 (9HZ (DV6TED4))		Diesel	FWD	1560	80	109	04.08-12.18	■	
1.6 HDi 110 (9HL (DV6C))		Diesel	FWD	1560	82	112	07.10-12.18	■	
1.6 HDi 110 (9HR (DV6C))		Diesel	FWD	1560	82	112	07.10-12.18	■	
1.6 HDi 115 (9HR (DV6C))		Diesel	FWD	1560	84	114	07.10-12.18	■	
1.6 HDi 115 4x4 (9HR (DV6C))		Diesel	4WD	1560	84	114	02.12-12.18	■	
1.6 BlueHDi 120 (BHZ (DV6FC))		Diesel	FWD	1560	88	120	12.14-08.18	■	
BERLINGO / BERLINGO FIRST (M_) 07.96-12.11							Box Body/MPV (LCVs-N1 Segment)		
Electric		Eléctrico	FWD		42	57	01.10-12.10	■	
BERLINGO / BERLINGO FIRST (MF_, GJK_, GFK_) 07.96-12.11							MPV (Large MPV-M1 Segment)		
1.6 HDi 110		Diesel	RWD	1560	80	109	08.05-12.11	■	
C4 II (NC_) 02.09-							Hatchback (Compact car-C Segment)		
1.2 THP 130 (NCHNYM, NCHNYT) (HNY (EB2DTS))		Gasolina	FWD	1199	96	130	04.14-12.17	■	
1.4 VTi 95 (NC8FP0) (8FP (EP3C))	elec.brake detention	Gasolina	FWD	1397	70	95	11.09-11.15	■	
1.6 (NCNFU0)		Gasolina	FWD	1587	81	110	01.10-	■	
1.6 VTi 120 (NC5FS0, NC5FS9) (5FS (EP6C))	elec.brake detention	Gasolina	FWD	1598	88	120	11.09-12.16	■	
1.6 THP 155 (5FV (EP6CDT))	elec.brake detention	Gasolina	FWD	1598	115	156	11.09-12.16	■	
1.6 VTi 120 LPG (NC5FS0) (5FS (EP6C))	elec.brake detention	Gasol./Gas (LPG)	FWD	1598	88	120	09.11-	■	
1.6 HDi 90 (9HJ (DV6DTE))	elec.brake detention	Diesel	FWD	1560	68	92	11.09-	■	
1.6 HDi 90 (9HP (DV6DTE))	elec.brake detention	Diesel	FWD	1560	68	92	11.09-	■	
1.6 HDi 110 (9HR (DV6C))	elec.brake detention	Diesel	FWD	1560	82	112	11.09-	■	
1.6 HDi 115 (9HD (DV6C))	elec.brake detention	Diesel	FWD	1560	84	114	07.12-	■	

LISTA DE APLICACIONES - BUYERS GUIDE

2.0 HDi / BlueHDi 150 (AHR (DW10FD))	elec.brake detention	Diesel	FWD	1997	110	150	11.09-	■
2.0 HDi / BlueHDi 150 (RHE (DW10CTED4))	elec.brake detention	Diesel	FWD	1997	110	150	11.09-	■
2.0 HDi / BlueHDi 160 (RHH (DW10CTED4))		Diesel	FWD	1997	120	163	10.10-	■
C4 Grand Picasso (UA_) 10.06-				MPV (Large MPV-M1 Segment)				
1.6 VTI 120 (5FW (EP6))		Gasolina	FWD	1598	88	120	07.08-08.13	■
1.6 16V (5FT (EP6DT))		Gasolina	FWD	1598	103	140	07.08-12.10	■
1.6 16V (5FX (EP6DT))		Gasolina	FWD	1598	110	150	10.08-08.13	■
1.6 THP 155 (5FV (EP6CDT))		Gasolina	FWD	1598	115	156	09.10-08.13	■
1.8 i 16V (6FY (EW7A))		Gasolina	FWD	1749	92	125	10.06-12.10	■
2.0 i 16V (RFJ (EW10A))		Gasolina	FWD	1997	103	140	10.06-08.13	■
2.0 i 16V (RFJ (EW10A))		Gasolina	FWD	1997	105	143	05.08-12.13	■
1.8 i 16V Flex (6FY (EW7A))		Gasol./Etanol	FWD	1749	86	117	06.09-01.13	■
1.6 HDi 110		Gasol./eléc.	FWD	1560	82	112	09.10-	■
1.6 HDi (9HY (DV6TED4))		Diesel	FWD	1560	80	109	10.06-06.11	■
1.6 HDi (9HZ (DV6TED4))		Diesel	FWD	1560	80	109	10.06-06.11	■
1.6 HDi 110 (9HR (DV6C))		Diesel	FWD	1560	82	112	09.10-08.13	■
2.0 HDi 138 (RHJ (DW10BTED4))		Diesel	FWD	1997	100	136	10.06-12.13	■
2.0 HDi 138 (RHR (DW10BTED4))		Diesel	FWD	1997	100	136	10.06-12.13	■
2.0 HDi 150 (RHE (DW10CTED4))		Diesel	FWD	1997	110	150	07.09-08.13	■
2.0 HDi 165 (RHH (DW10CTED4))		Diesel	FWD	1997	120	163	09.10-08.13	■
1.8 i 16V CNG		CNG	FWD	1749	86	117	03.09-12.11	■
C4 Picasso (UD_) 10.06-12.15				MPV (Compact MPV-M1 Segment)				
1.6 VTI 120 (5FW (EP6))		Gasolina	FWD	1598	88	120	07.08-08.13	■
1.6 THP 140 (5FT (EP6DT))		Gasolina	FWD	1598	103	140	07.08-08.13	■
1.6 16V (5FX (EP6DT))		Gasolina	FWD	1598	110	150	07.08-08.13	■
1.6 THP 155 (5FV (EP6CDT))		Gasolina	FWD	1598	115	156	09.10-08.13	■
1.8 i 16V (6FY (EW7A))		Gasolina	FWD	1749	92	125	02.07-12.11	■
2.0 i 16V (RFJ (EW10A))		Gasolina	FWD	1997	103	140	09.07-08.13	■
2.0 i 16V (RFN (EW10J4))		Gasolina	FWD	1997	105	143	05.08-05.13	■
1.8 Bifuel (6FY (EW7A))		Gasol./Etanol	FWD	1749	92	125	01.09-10.12	■
1.6 HDi 110		Gasol./eléc.	FWD	1560	82	112	09.10-	■
1.6 HDi (9HY (DV6TED4))		Diesel	FWD	1560	80	109	02.07-08.13	■
1.6 HDi (9HZ (DV6TED4))		Diesel	FWD	1560	80	109	02.07-08.13	■
1.6 HDi 110 (9HR (DV6C))		Diesel	FWD	1560	82	112	09.10-08.13	■
2.0 HDi 138 (RHJ (DW10BTED4))		Diesel	FWD	1997	100	136	10.06-08.13	■
2.0 HDi 138 (RHR (DW10BTED4))		Diesel	FWD	1997	100	136	10.06-08.13	■
2.0 HDi 150 (RHE (DW10CTED4))		Diesel	FWD	1997	110	150	07.09-08.13	■
2.0 HDi 165 (RHH (DW10CTED4))		Diesel	FWD	1997	120	163	09.10-08.13	■
DS4 (NX_) 03.11-07.15				Hatchback (Compact car-C Segment)				
1.2 THP 130 (HNY (EB2DTS))		Gasolina	FWD	1199	96	130	07.14-07.15	■
1.6 VTI 120 (5FS (EP6C))	elec.brake detention	Gasolina	FWD	1598	88	120	04.11-07.15	■
1.6 THP 150 (5FE (EP6CDTMD))		Gasolina	FWD	1598	110	150	04.11-07.15	■
1.6 THP 155 (5FV (EP6CDT))	elec.brake detention	Gasolina	FWD	1598	115	156	04.11-07.15	■
1.6 THP160 (5FM (EP6CDTM))	elec.brake detention	Gasolina	FWD	1598	120	163	04.12-07.15	■
1.6 THP 165 (5FM (EP6CDTM))		Gasolina	FWD	1598	121	165	01.12-07.15	■
1.6 THP 165 (5GZ (EP6FDT))		Gasolina	FWD	1598	121	165	01.12-07.15	■
1.6 HDi 110	elec.brake detention	Diesel/eléc.	FWD	1560	81	110	04.11-07.15	■
1.6 HDi 90 (9HP (DV6DTED))	elec.brake detention	Diesel	FWD	1560	68	92	05.11-07.15	■

LISTA DE APLICACIONES - BUYERS GUIDE

1.6 HDi 110 (9HR (DV6C))	elec.brake detention	Diesel	FWD	1560	82	112	04.11-07.15	■	
1.6 HDi 115 (9HD (DV6C))	elec.brake detention	Diesel	FWD	1560	84	114	08.12-07.15	■	
1.6 BlueHDi 115 (BHX (DV6FC))		Diesel	FWD	1560	85	115	07.14-07.15	■	
2.0 HDi / BlueHDi 135 (AHS (DW10FD))	elec.brake detention	Diesel	FWD	1997	100	136	09.11-07.15	■	
2.0 HDi / BlueHDi 135 (AHV (DW10FD))	elec.brake detention	Diesel	FWD	1997	100	136	09.11-07.15	■	
2.0 HDi / BlueHDi 135 (RHD (DW10CB))	elec.brake detention	Diesel	FWD	1997	100	136	09.11-07.15	■	
2.0 HDi / BlueHDi 135 (RHD (DW10CTED4))	elec.brake detention	Diesel	FWD	1997	100	136	09.11-07.15	■	
2.0 HDi 165 (RHH (DW10CTED4))	elec.brake detention	Diesel	FWD	1997	120	163	04.11-07.15	■	
DS5 09.11-12.16							Hatchback (Compact executive car-D Segment)		
1.6 THP 150 (5FE (EP6CDTMD))		Gasolina	FWD	1598	110	150	11.11-07.15	■	
1.6 THP 155 (5FV (EP6CDT))		Gasolina	FWD	1598	115	156	11.11-07.15	■	
1.6 THP 165 (5FM (EP6CDTM))		Gasolina	FWD	1598	121	165	01.12-07.15	■	
1.6 THP 165 (5FM (EP6DT))		Gasolina	FWD	1598	121	165	01.12-07.15	■	
1.6 THP 165 (5GZ (EP6FDT))		Gasolina	FWD	1598	121	165	01.12-07.15	■	
1.6 THP200 (5FU (EP6DTX))		Gasolina	FWD	1598	147	200	11.11-07.15	■	
1.6 HDi 110 (9HR (DV6C))		Diesel	FWD	1560	82	112	11.11-07.15	■	
1.6 HDi 115 (9HD (DV6C))		Diesel	FWD	1560	84	114	06.12-07.15	■	
1.6 HDi (BHX (DV6FC))		Diesel	FWD	1560	85	115	11.13-07.15	■	
1.6 BlueHDi 120 (BHZ (DV6FC))		Diesel	FWD	1560	88	120	07.14-07.15	■	
2.0 HDi 135 (RHD (DW10CB))		Diesel	FWD	1997	100	136	11.11-07.15	■	
2.0 BlueHDi 150 (AHX (DW10FD))		Diesel	FWD	1997	110	150	07.14-07.15	■	
2.0 HDi 165 (RHH (DW10CTED4))		Diesel	FWD	1997	120	163	11.11-07.15	■	
DS									
DS 4 / DS 4 CROSSBACK (NX_) 07.15-							Hatchback (Compact car-C Segment)		
1.2 THP 130 (NXHNYM) (HNY (EB2DTS))		Gasolina	FWD	1199	96	130	07.15-12.18	■	
1.6 THP 150 (5FE (EP6CDTMD))		Gasolina	FWD	1598	110	150	10.16-12.18	■	
1.6 THP160 (5FM (EP6CDTM))		Gasolina	FWD	1598	120	163	07.15-12.18	■	
1.6 THP 165 (5GZ (EP6FDT))		Gasolina	FWD	1598	121	165	07.15-12.18	■	
1.6 BlueHDi 115 (BHX (DV6FC))		Diesel	FWD	1560	85	116	07.15-12.18	■	
2.0 BlueHDi 150 (AHR (DW10FD))		Diesel	FWD	1997	110	150	07.15-12.18	■	
DS 5 (KF_) 01.15-12.18							Hatchback (Compact executive car-D Segment)		
1.6 THP 165 (KF5GZT) (5GZ (EP6FDT))		Gasolina	FWD	1598	121	165	07.15-12.18	■	
1.6 THP 210 (5GM (EP6FDTX))		Gasolina	FWD	1598	155	210	04.15-12.18	■	
1.6 BlueHDi 115 (BHX (DV6C))		Diesel	FWD	1560	85	116	06.15-12.18	■	
1.6 BlueHDi 120 (BHZ (DV6FC))		Diesel	FWD	1560	88	120	06.15-12.18	■	
2.0 BlueHDi 135 (AHV (DW10FDD))		Diesel	FWD	1997	100	136	06.15-12.18	■	
2.0 BlueHDi 150 (AHR (DW10FD))		Diesel	FWD	1997	110	150	04.15-12.18	■	
DS (CAPSA)									
DS 5 09.13-							Hatchback ()		
1.6 THP160 (5F06 10FJBZ (EP6CDTM))		Gasolina	FWD	1598	120	163	09.13-12.17	■	
DS 5 LS 01.14-							Saloon ()		
1.6 THP160 (5F06 10FJBZ (EP6CDTM))		Gasolina	FWD	1598	120	163	03.14-	■	
1.8 VTi 140 (WFZ (EC8))		Gasolina	FWD	1813	102	139	01.14-12.15	■	
PEUGEOT									
3008 (OU_) 05.09-12.17							Box Body/MPV (Compact MPV-M1 Segment)		
HDi 110 (0U9HZ8, 0U9HZT)		Diesel	FWD	1560	80	109	06.09-08.16	■	
HDi 150 (0URHEM)		Diesel	FWD	1997	110	150	06.09-08.16	■	
HDi (0URHHT)		Diesel	FWD	1997	120	163	06.09-08.16	■	

LISTA DE APLICACIONES - BUYERS GUIDE

3008 (0U_) 05.09-12.17					MPV (Compact MPV-M1 Segment)			
1.2 (HNY (EB2DTS))	Gasolina	FWD	1199	96	131	01.15-08.16	■	
1.6 VTi (5FS (EP6C))	Gasolina	FWD	1598	88	120	06.09-08.16	■	
1.6 VTi (5FW (EP6))	Gasolina	FWD	1598	88	120	06.09-08.16	■	
1.6 VTi (EP6)	Gasolina	FWD	1598	88	120	06.09-08.16	■	
1.6 THP (5FE (EP6CDTM))	Gasolina	FWD	1598	110	150	06.09-08.16	■	
1.6 THP (5FE (EP6CDTMD))	Gasolina	FWD	1598	110	150	06.09-08.16	■	
1.6 THP (5FX (EP6DT))	Gasolina	FWD	1598	110	150	06.09-08.16	■	
1.6 THP (5FV (EP6CDT))	Gasolina	FWD	1598	115	156	06.09-08.16	■	
1.6 THP (5FM (EP6CDTM))	Gasolina	FWD	1598	120	163	09.10-08.16	■	
1.6 Turbo (5GZ (EP6FDT))	Gasolina	FWD	1598	121	165	05.14-08.16	■	
2.0 BlueHDi 135 Hybrid	Diesel/el éc.	FWD	1997	100	136	01.15-12.16	■	
2.0 BlueHDi 135 Hybrid	Diesel/el éc.	FWD	1997	100	136	09.15-12.16	■	
2.0 BlueHDi 150 Hybrid	Diesel/el éc.	FWD	1997	110	150	01.15-12.16	■	
2.0 HDi Hybrid4 (RHC (DW10CTED4))	Diesel/el éc.	4WD	1997	120	163	02.11-08.16	■	
1.6 HDi (9HZ (DV6TED4))	Diesel	FWD	1560	80	109	06.09-08.16	■	
1.6 HDi (9HR (DV6C))	Diesel	FWD	1560	82	112	12.09-08.16	■	
1.6 HDi (9HD (DV6CTED))	Diesel	FWD	1560	84	114	03.13-08.16	■	
1.6 HDi 115 / BlueHDi 115 (9HC (DV6C))	Diesel	FWD	1560	85	116	02.13-08.16	■	
1.6 HDi 115 / BlueHDi 115 (BHX (DV6FC))	Diesel	FWD	1560	85	116	02.13-08.16	■	
1.6 BlueHDi 120 (BHZ (DV6FC))	Diesel	FWD	1560	88	120	05.14-08.16	■	
2.0 HDi (RHD (DW10CB))	Diesel	FWD	1997	100	136	09.11-08.16	■	
2.0 HDi 150 / BlueHDi 150 (RWRHEJ, RWRHE8) (AHX (DW10FD))	Diesel	FWD	1997	110	150	06.09-08.16	■	
2.0 HDi 150 / BlueHDi 150 (RWRHEJ, RWRHE8) (RHE (DW10CTED4))	Diesel	FWD	1997	110	150	06.09-08.16	■	
2.0 HDi (RHH (DW10CTED4))	Diesel	FWD	1997	120	163	06.09-08.16	■	
308 (4A_, 4C_) 09.07-					Hatchback (Compact car-C Segment)			
1.6 GTi (EP6CDTX)	Gasolina	FWD	1598	147	200	07.10-10.14	■	
2.0 HDi (RHR (DW10BTED4))	Diesel	FWD	1997	103	140	07.10-12.12	■	
308 SW (4E_, 4H_) 09.07-					Estate (Compact car-C Segment)			
1.4 16V (8FS (EP3))	Gasolina	FWD	1397	70	95	09.07-10.14	■	
1.6 16V (5FW (EP6))	Gasolina	FWD	1598	88	120	09.07-10.14	■	
1.6 16V (EP6)	Gasolina	FWD	1598	88	120	09.07-10.14	■	
1.6 16V (5FT (EP6DT))	Gasolina	FWD	1598	103	140	09.07-10.14	■	
1.6 16V (5FX (EP6DT))	Gasolina	FWD	1598	110	150	09.07-10.14	■	
1.6 THP 16V (5FV (EP6CDT))	Gasolina	FWD	1598	115	156	10.09-10.14	■	
1.6 16V (5FY (EP6DTS))	Gasolina	FWD	1598	128	174	03.08-10.14	■	
1.6 BioFlex (NFU (TU5JP4))	Gasol./Et anol	FWD	1587	82	112	03.09-10.14	■	
2.0 Bioflex (RFJ (EW10A))	Gasol./Et anol	FWD	1997	103	140	01.08-12.11	■	
1.6 HDi (9HV (DV6TED4BU))	Diesel	FWD	1560	66	90	09.07-10.14	■	
1.6 HDi (9HX (DV6ATED4))	Diesel	FWD	1560	66	90	09.07-10.14	■	
1.6 HDi (9HP (DV6DTE))	Diesel	FWD	1560	68	92	11.09-10.14	■	
1.6 HDi (9HZ (DV6TED4))	Diesel	FWD	1560	80	109	09.07-10.14	■	
1.6 HDi (9HR (DV6C))	Diesel	FWD	1560	82	112	12.09-10.14	■	
2.0 HDi (RHR (DW10BTED4))	Diesel	FWD	1997	100	136	09.07-12.12	■	
2.0 HDi (RHR (DW10BTED4))	Diesel	FWD	1997	103	140	09.07-10.14	■	
2.0 HDi (RHH (DW10CTED4))	Diesel	FWD	1997	120	163	06.09-10.14	■	

LISTA DE APLICACIONES - BUYERS GUIDE

					Estate Van (Compact car-C Segment)			
308 SW (4E_) 01.08-12.12								
1.6 HDi (9HX (DV6ATED4))		Diesel	FWD	1560	66	90	01.08-12.11	■
1.6 HDi (9HZ (DV6TED4))		Diesel	FWD	1560	80	109	01.08-12.12	■
					Box Body/MPV (Compact MPV-M1 Segment)			
5008 (0U_) 06.09-03.17								
HDi (0U9HR8)		Diesel	FWD	1560	82	111	08.10-03.17	■
HDi / e-HDi (0U9HD8, 0U9HDA)		Diesel	FWD	1560	84	114	03.13-03.17	■
HDi 136 (0URHEM)		Diesel	FWD	1997	100	136	02.12-03.17	■
HDi 150 (0URHEM)		Diesel	FWD	1997	110	150	06.09-03.17	■
HDi 165 (0URHHT)		Diesel	FWD	1997	120	163	06.09-03.17	■
					MPV (Compact MPV-M1 Segment)			
5008 (0U_, 0E_) 06.09-								
1.2 (HNY (EB2DTS))		Gasolina	FWD	1199	96	131	01.15-03.17	■
1.6 16V (5FS (EP6C))		Gasolina	FWD	1598	88	120	09.09-03.17	■
1.6 16V (5FW (EP6))		Gasolina	FWD	1598	88	120	09.09-03.17	■
1.6 16V (EP6)		Gasolina	FWD	1598	88	120	09.09-03.17	■
1.6 THP 150 (5FX (EP6DT))		Gasolina	FWD	1598	110	150	02.12-03.17	■
1.6 16V (5FV (EP6CDT))		Gasolina	FWD	1598	115	156	09.09-03.17	■
1.6 THP 163 (5GZ (EP6FDT))		Gasolina	FWD	1598	120	163	02.12-03.17	■
1.6 THP 165 (5GZ (EP6FDT))		Gasolina	FWD	1598	121	165	02.12-03.17	■
1.6 HDi (9HZ (DV6TED4))		Diesel	FWD	1560	80	110	09.09-03.17	■
1.6 HDi (9HR (DV6C))		Diesel	FWD	1560	82	112	08.10-03.17	■
1.6 HDi (9HD (DV6C))		Diesel	FWD	1560	84	114	03.13-03.17	■
1.6 BlueHDi 115		Diesel	FWD	1560	85	116	11.14-03.17	■
1.6 BlueHDi 120 (BHZ (DV6FC))		Diesel	FWD	1560	88	120	05.14-03.17	■
2.0 HDi 136 / BlueHDi 136 (AHV (DW10FD))		Diesel	FWD	1997	100	136	02.12-03.17	■
2.0 HDi 136 / BlueHDi 136 (RHD (DW10CB))		Diesel	FWD	1997	100	136	02.12-03.17	■
2.0 HDi 136 / BlueHDi 136 (RHD (DW10CTED4))		Diesel	FWD	1997	100	136	02.12-03.17	■
2.0 HDi 150 / BlueHDi 150 (RWRHEJ, RWRHE8) (AHX (DW10FD))		Diesel	FWD	1997	110	150	06.09-03.17	■
2.0 HDi 150 / BlueHDi 150 (RWRHEJ, RWRHE8) (RHE (DW10CTED4))		Diesel	FWD	1997	110	150	06.09-03.17	■
2.0 HDi (RHH (DW10CTED4))		Diesel	FWD	1997	120	163	09.09-03.17	■
					Platform/Chassis (LCVs-N1 Segment)			
PARTNER (5_, G_) 03.97-07.08								
1.6		Gasolina	FWD	1587	80	109	09.00-05.08	■
2.0 HDi		Diesel	FWD	1997	66	90	11.02-07.08	■
					MPV (Compact MPV-M1 Segment)			
PARTNER / GRAND RAID / RANCH (5_, G_) 05.96-12.15								
1.6 Flexfuel (NFU (TU5JP4))		Gasol./Et anol	FWD	1587	80	109	09.00-10.02	■
1.6 HDi 92 (9HJ (DV6DTEDM))		Diesel	FWD	1560	68	92	11.09-12.10	■
1.6 HDi 92 (9HP (DV6DTE))		Diesel	FWD	1560	68	92	11.09-12.10	■
					Box Body/MPV (LCVs-N1 Segment)			
PARTNER / RANCH (5_, G_) 06.96-12.15								
1.6 BioFlex (NFU (TU5JP4))		Gasol./Et anol	FWD	1587	80	109	09.00-10.02	■
1.6 HDi 92 (9HJ (DV6DTEDM))		Diesel	FWD	1560	68	92	11.09-12.10	■
1.6 HDi 92 (9HP (DV6DTE))		Diesel	FWD	1560	68	92	11.09-12.10	■
					Platform/Chassis (LCVs-N1 Segment)			
PARTNER II 01.09-								
1.6 HDi (9HF (DV6DTE))		Diesel	FWD	1560	66	90	03.13-	■
1.6 BlueHDi 100 (BHY (DV6FD))		Diesel	FWD	1560	73	100	04.15-	■
					Box Body/MPV (LCVs-N1 Segment)			
PARTNER II / GRAND RAID / RANCH 04.08-								
1.2 THP (HNZ (EB2DT))		Gasolina	FWD	1199	81	110	02.16-	■

LISTA DE APLICACIONES - BUYERS GUIDE

1.6 (NFR (TU5JP4B))	disc brak.rear axle	Gasolina	FWD	1587	66	90	04.08-	■	
1.6 (NFU (TU5JP4))		Gasolina	FWD	1587	80	109	04.08-	■	
1.6 Flex		Gasolina	FWD	1587	81	110	09.08-	■	
1.6 Flex		Gasolina	FWD	1587	83	113	07.10-	■	
1.6 (5FK (EP6CB))		Gasolina	FWD	1598	72	98	11.10-	■	
1.6 (5FS (EP6C))		Gasolina	FWD	1598	88	120	04.10-	■	
Électrique		Eléctrico	FWD		49	67	06.13-	■	
1.6 HDi (9HT (DV6BTED4))	disc brak.rear axle	Diesel	FWD	1560	55	75	04.08-	■	
1.6 HDi (9HT (DV6BUTED4))	disc brak.rear axle	Diesel	FWD	1560	55	75	04.08-	■	
1.6 HDi (9HW (DV6BTED4))	disc brak.rear axle	Diesel	FWD	1560	55	75	04.08-	■	
1.6 HDi / BlueHdi 75 (9HK (DV6ETEDM))		Diesel	FWD	1560	55	75	07.11-	■	
1.6 HDi / BlueHdi 75 (9HN (DV6ETED))		Diesel	FWD	1560	55	75	07.11-	■	
1.6 HDi / BlueHdi 75 (BHW (DV6FE))		Diesel	FWD	1560	55	75	07.11-	■	
1.6 HDi (9HF (DV6DTE))		Diesel	FWD	1560	66	90	12.11-	■	
1.6 HDi 16V (9HS (DV6TED4BU))	disc brak.rear axle	Diesel	FWD	1560	66	90	04.08-	■	
1.6 HDi 16V (9HX (DV6AUTED4))	disc brak.rear axle	Diesel	FWD	1560	66	90	04.08-	■	
1.6 HDi 16V 4x4 (9HS (DV6TED4BU))		Diesel	4WD	1560	66	90	09.09-	■	
1.6 HDi 16V 4x4 (9HX (DV6ATED4))		Diesel	4WD	1560	66	90	09.09-	■	
1.6 HDi 16V 4x4 (9HX (DV6AUTED4))		Diesel	4WD	1560	66	90	09.09-	■	
1.6 HDi		Diesel	FWD	1560	67	91	09.09-	■	
1.6 HDi 16V (9HX (DV6ATED4))		Diesel	FWD	1560	68	92	04.10-	■	
1.6 HDi 90 (9HJ (DV6DTE))		Diesel	FWD	1560	68	92	04.10-	■	
1.6 HDi 90 (9HP (DV6DTE))		Diesel	FWD	1560	68	92	04.10-	■	
1.6 BlueHdi 100 (BHY (DV6FD))		Diesel	FWD	1560	73	100	04.15-	■	
1.6 HDi (9HZ (DV6TED4))		Diesel	FWD	1560	80	109	04.08-	■	
1.6 HDi		Diesel	FWD	1560	82	112	08.10-	■	
1.6 HDi (9HL (DV6C))		Diesel	FWD	1560	82	111	08.10-	■	
1.6 HDi (9HL (DV6C))		Diesel	FWD	1560	84	114	03.13-	■	
1.6 BlueHdi 120 (BHZ (DV6FC))		Diesel	FWD	1560	88	120	04.15-	■	
PARTNER II ORIGIN (G_) 07.08-12.15					Box Body/MPV (LCVs-N1 Segment)				
1.4 (KFW (TU3JP))		Gasolina	FWD	1360	55	75	08.08-12.15	■	
1.6 (NFU (TU5JP4))		Gasolina	FWD	1587	81	110	09.11-12.15	■	
1.6 HDi 75 (9HW (DV6BTED4))		Diesel	FWD	1560	55	75	08.08-12.15	■	
1.6 HDi 90 (9HX (DV6ATED4))		Diesel	FWD	1560	66	90	08.08-12.15	■	
PARTNER II ORIGIN (G_) 07.08-12.13					MPV (Compact MPV-M1 Segment)				
1.4 (KFW (TU3JP))		Gasolina	FWD	1360	55	75	07.08-12.13	■	
1.6 16V (NFU (TU5JP4))		Gasolina	FWD	1587	81	110	09.11-12.13	■	
1.6 HDi 75 (9HW (DV6BTED4))		Diesel	FWD	1560	55	75	08.08-12.13	■	
PARTNER II Tepee / GRAND RAID / RANCH 04.08-					MPV (Compact MPV-M1 Segment)				
1.2 THP (HNV (EB2DTM))		Gasolina	FWD	1199	81	110	02.16-	■	
1.2 THP (HNZ (EB2DT))		Gasolina	FWD	1199	81	110	02.16-	■	
1.6 VTi (NFR (TU5JP4B))	disc brak.rear axle	Gasolina	FWD	1587	66	90	04.08-	■	
1.6		Gasolina	FWD	1587	78	106	04.08-	■	
1.6 VTi (NFU (TU5JP4))		Gasolina	FWD	1587	80	109	04.08-	■	
1.6 Flex		Gasolina	FWD	1587	81	110	09.08-	■	
1.6 VTi (NFU (TU5JP4))		Gasolina	FWD	1587	81	110	09.08-	■	
1.6 VTi (5FK (EP6CB))		Gasolina	FWD	1598	72	98	08.10-	■	
1.6		Gasolina	FWD	1598	81	110	09.08-	■	
1.6 VTi (5FS (EP6C))		Gasolina	FWD	1598	88	120	09.09-04.16	■	
Électrique (Y4F1)		Eléctrico	FWD		49	67	06.13-	■	

LISTA DE APLICACIONES - BUYERS GUIDE

1.6 HDi		Diesel	FWD	1560	55	75	04.08-	■
1.6 HDi / BlueHDi 75 (9HK (DV6ETEDM))		Diesel	FWD	1560	55	75	06.08-12.18	■
1.6 HDi / BlueHDi 75 (9HN (DV6ETED))		Diesel	FWD	1560	55	75	06.08-12.18	■
1.6 HDi / BlueHDi 75 (BHW (DV6FE))		Diesel	FWD	1560	55	75	06.08-12.18	■
1.6 HDi 75 (16V) (9HT (DV6BTED4))		Diesel	FWD	1560	55	75	06.08-	■
1.6 HDi (9HF (DV6DTED))		Diesel	FWD	1560	66	90	03.13-	■
1.6 HDi 16V (9HV (DV6TED4B))	disc brak.rear axle	Diesel	FWD	1560	66	90	04.08-	■
1.6 HDi 16V (9HV (DV6TED4BU))	disc brak.rear axle	Diesel	FWD	1560	66	90	04.08-	■
1.6 HDi 16V		Diesel	FWD	1560	68	92	04.10-	■
1.6 HDi 90 (9HJ (DV6DTEDM))		Diesel	FWD	1560	68	92	04.10-	■
1.6 HDi 90 (9HP (DV6DTED))		Diesel	FWD	1560	68	92	04.10-	■
1.6 HDi 90 4x4		Diesel	4WD	1560	68	92	07.12-	■
1.6 BlueHDi 100 (BHY (DV6FD))		Diesel	FWD	1560	73	100	12.14-	■
1.6 BlueHDi 100 4x4 (BHY (DV6FD))		Diesel	4WD	1560	73	100	04.15-	■
1.6 HDi (9HZ (DV6TED4))		Diesel	FWD	1560	80	109	04.08-	■
1.6 HDi (9HL (DV6C))		Diesel	FWD	1560	82	112	08.10-	■
1.6 HDi (9HL (DV6C))		Diesel	FWD	1560	84	114	03.13-	■
1.6 BlueHDi 120 (BHZ (DV6FC))		Diesel	FWD	1560	88	120	12.14-	■