

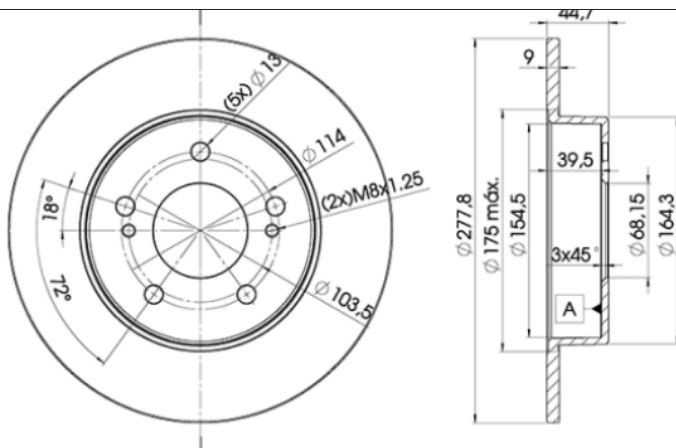
# LISTA DE APLICACIONES - BUYERS GUIDE

## 78BD5059-2



Weight: 7.840

O.E.M.	MAKE
43206-2Y503	NISSAN
43206-31U10	NISSAN
43206-31U12	NISSAN
43206-4U001	NISSAN
43206-WA201	NISSAN



## 78BD5059-2

**E1** 90R-02C0100/0397



Ø278x9x44.7

MAKE
INFINITI
NISSAN
SAMSUNG



Trac.	CC	Kw	CV
-------	----	----	----



Front / Rear

### INFINITI

I 35 (U.S.A.) 09.95-12.04							Saloon (Executive car-E Segment)		
3.5 (VQ35DE)		Gasolina	FWD	3498	188	256	07.01-12.04		■
I30 01.97-							Saloon (Executive car-E Segment)		
3.0 (VQ30DE)		Gasolina	FWD	2988	142	193	01.97-		■
J30 01.92-12.97							Saloon (Luxury car-F Segment)		
3.0 (VG30DE)		Gasolina	RWD	2960	157	213	01.92-12.97		■

### NISSAN

AVENIR II (W11) 11.97-03.06							Estate (Compact car-C Segment)		
2.0 4x4 (SR20DE)		Gasolina	4WD	1998	107	145	11.97-12.05		■
CEFIRO II (A32) 08.94-12.99							Saloon (Sports car-S Segment)		
2.0 (VQ20DE)		Gasolina	FWD	1995	103	140	10.94-12.99		■
2.0		Gasolina	FWD	1995	114	155	08.94-11.98		■
2.5		Gasolina	FWD	2496	140	190	10.94-12.99		■
3.0 (VQ30DE)		Gasolina	FWD	2988	142	193	10.94-12.99		■
CEFIRO III-IV / MAXIMA (A33) 01.99-12.07							Saloon (Sports car-S Segment)		
2.0 (VQ20DE)		Gasolina	FWD	1995	103	140	01.00-09.03		■
2.5		Gasolina	FWD	2496	154	209	01.00-09.03		■
3.0 (VQ30DE)		Gasolina	FWD	2988	147	200	01.00-09.03		■
MAXIMA IV QX (A32) 03.94-08.00							Saloon (Sports car-S Segment)		
2.0 (VQ20DE)		Gasolina	FWD	1995	103	140	02.95-08.00		■
2.5 V6 24V (VQ25DE)		Gasolina	FWD	2496	140	190	02.95-08.00		■
3.0 (VG30DE)		Gasolina	FWD	2960	142	193	03.94-03.99		■

# LISTA DE APLICACIONES - BUYERS GUIDE

3.0 (VQ30DE)		Gasolina	FWD	2988	142	193	01.95-08.00	■	
<b>MAXIMA V QX (A33) 04.99-07.04</b>					<b>Saloon (Sports car-S Segment)</b>				
2.0 V6 24V (VQ20DE)	vehicles with ABS	Gasolina	FWD	1995	103	140	03.00-11.03	■	
2.5 V6 24V (VQ25DE)		Gasolina	FWD	2496	154	209	03.00-11.03	■	
3.0		Gasolina	FWD	2960	147	200	04.99-08.03	■	
3.0 V6 24V (VQ30DE)	09/00-	Gasolina	FWD	2988	147	200	03.00-11.03	■	
3.0 V6 24V		Gasolina	FWD	2988	157	214	12.99-11.03	■	
3.5 (VQ35DE)		Gasolina	FWD	3498	188	256	08.01-02.03	■	
3.5 (VQ35DE)		Gasolina	FWD	3498	190	258	03.03-11.03	■	
<b>MAXIMA IV Station Wagon (A32) 10.97-12.00</b>					<b>Estate (Executive car-E Segment)</b>				
2.0 QX (VQ20DE)	09/00-, vehicles with ABS	Gasolina	FWD	1995	103	140	10.97-12.00	■	
2.5 V6 24V (VQ25DE)		Gasolina	FWD	2496	140	190	10.97-12.00	■	
3.0 QX (VQ30DE)		Gasolina	FWD	2988	142	193	10.97-12.00	■	
<b>SAMSUNG</b>									
<b>SM5 (A32) 01.98-12.05</b>					<b>Saloon ()</b>				
518		Gasolina	FWD	1838	98	134	01.98-01.05	■	
520 (SR20DE)		Gasolina	FWD	1998	92	125	02.98-10.01	■	
520		Gasolina	FWD	1998	105	143	01.98-09.04	■	
525		Gasolina	FWD	2496	127	173	01.98-09.04	■	
520 LPG		Gasol./Gas (LPG)	FWD	1998	105	143	10.03-12.04	■	