

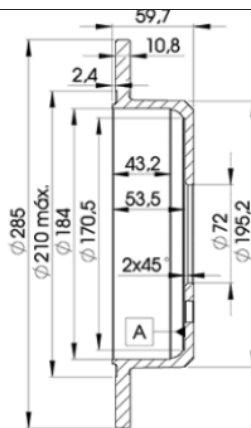
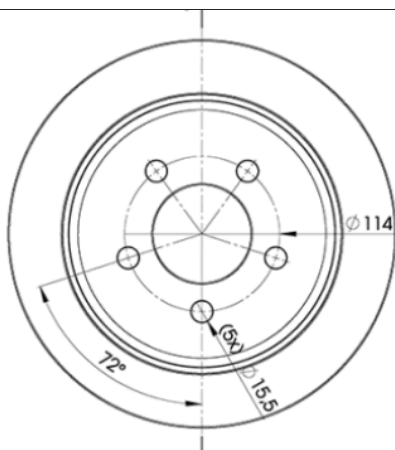
LISTA DE APLICACIONES - BUYERS GUIDE

78BD5116-2



Weight: 10.690

O.E.M.	MAKE
2AMV8184AA	JEEP
52008184	JEEP
52008184AB	JEEP
5208184AB	JEEP
K52008184AB	JEEP
K5208184AB	JEEP



78BD5116-2

E1 90R-02C0241/0037



Ø285x10.8x59.7

MAKE
JEEP



Trac.	CC	Kw	CV
-------	----	----	----



Front / Rear

JEEP

CHEROKEE II / WAGONEER (XJ) 09.83-09.01						Closed Off-Road Vehicle (Compact SUV-J Segment)			
2.5 i 4x4 (EPE)	-12/98	Gasolina	4WD	2464	87	118	10.84-09.01		■
2.5 SE (EPE)	-12/98	Gasolina	RWD	2464	87	118	10.96-09.99		■
2.5 (EPE)	01/95-	Gasolina	RWD	2464	89	121	10.90-09.96		■
2.5 (EPE)	-12/98	Gasolina	4WD	2469	89	121	10.95-09.01		■
2.5 i 4x4 (EPE)	01/95-, -12/98	Gasolina	4WD	2469	90	122	12.91-09.01		■
2.5 i 4x4 (HX)	01/95-, -12/98	Gasolina	4WD	2469	90	122	12.91-09.01		■
4.0 i (ERH)	-12/98	Gasolina	4WD	3960	127	173	07.98-09.01		■
4.0 i 4x4 (ERH)	-12/98	Gasolina	4WD	3964	131	178	01.95-09.01		■
4.0 i (MX)	01/95-, -12/98	Gasolina	4WD	3964	135	184	12.91-09.01		■
4.0 i (ERH)	01/95-, -12/98	Gasolina	4WD	3964	136	185	01.88-09.01		■
2.1 TD (J8S)	01/95-, -12/98	Diesel	4WD	2068	64	87	10.84-09.01		■
2.5 TDI 4x4 (ENC)	-12/98	Diesel	4WD	2498	85	116	10.96-09.01		■
2.5 TD 4x4 (ENC)	01/95-, -12/98	Diesel	4WD	2499	85	116	01.88-09.01		■
GRAND CHEROKEE (ZJ, ZG) 09.91-04.99						Closed Off-Road Vehicle (Luxury Crossover SUV-J Segment)			
4.0 i 4x4 (Z) (S01)	-12/98	Gasolina	4WD	3960	130	177	10.95-04.99		■
4.0 Laredo (ERH)		Gasolina	RWD	3964	131	178	10.96-09.98		■
4.0 i 4x4 (ZJ) (ERH)	-12/98	Gasolina	4WD	3964	132	180	06.92-04.99		■
4.0 i 4x4 (ZJ) (MX)	-12/98	Gasolina	4WD	3964	135	184	09.91-04.99		■
5.2 Limited 4x4 (ELF)		Gasolina	4WD	5210	136	185	10.96-09.98		■
5.2 i 4x4 (ZJ) (ELF)		Gasolina	4WD	5210	155	211	01.92-04.99		■
5.2 i 4x4 (ZJ) (Y)		Gasolina	4WD	5210	158	215	09.92-09.98		■
5.2 (ELF)		Gasolina	RWD	5210	164	223	10.96-09.98		■

LISTA DE APLICACIONES - BUYERS GUIDE

5.2 4x4 (ELF)		Gasolina	4WD	5210	164	223	10.96-09.98	■	
5.2 4x4 (Z) (Y01)		Gasolina	4WD	5216	156	212	10.95-04.99	■	
5.9 i 4x4 (EML)		Gasolina	4WD	5889	177	241	08.97-04.99	■	
2.5 TD Laredo (ENC)		Diesel	RWD	2498	85	115	10.96-09.98	■	
2.5 TD 4x4 (Z) (ENC)		Diesel	4WD	2499	85	115	10.95-04.99	■	
WRANGLER (YJ, SJ_) 08.86-08.96							Open Off-Road Vehicle (Mini SUV-J Segment)		
2.5		Gasolina	4WD	2464	76	103	01.88-12.91	■	
2.5 (EPE)		Gasolina	4WD	2464	89	121	12.91-08.96	■	
4.0 2WD (M400L)		Gasolina	RWD	3956	131	178	10.86-09.90	■	
4.0 4x4 (M400L)		Gasolina	4WD	3956	131	178	10.86-09.90	■	
4.0 (ERH)		Gasolina	4WD	3964	131	178	12.91-08.96	■	
WRANGLER II (TJ) 08.96-12.08							Open Off-Road Vehicle (Mini SUV-J Segment)		
2.5 (P00)		Gasolina	4WD	2464	87	118	08.96-04.07	■	
4.0 (S01)		Gasolina	4WD	3960	130	177	08.96-04.07	■	