

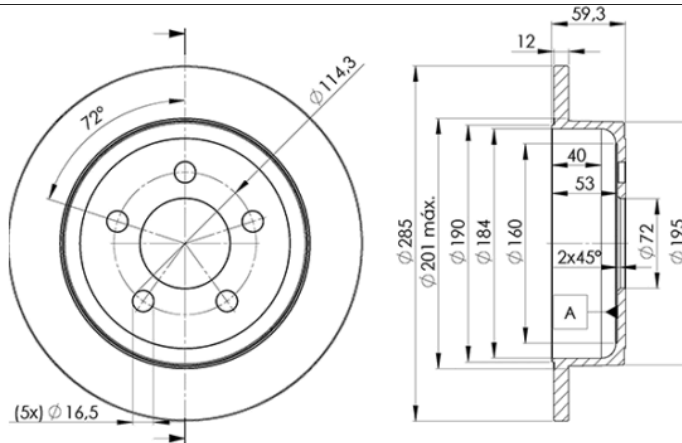
LISTA DE APLICACIONES - BUYERS GUIDE

78BD5122-2



Weight: 11.452

O.E.M.	MAKE
052128411AA	JEEP
052128411AB	JEEP
52128411AA	JEEP
52128411AB	JEEP
K52128411AA	JEEP
K5212-8411-AB	JEEP
K5228-411-AA	JEEP



78BD5122-2



Ø285x12x59.3

MAKE
JEEP



Trac.	CC	Kw	CV
-------	----	----	----



Front / Rear

JEEP

CHEROKEE III / LIBERTY (KJ) 03.01-01.08						Closed Off-Road Vehicle (Compact SUV-J Segment)			
2.4 4x4 (ED1)	01/03-	Gasolina	4WD	2429	108	147	09.01-01.08		■
2.4 Laredo (ED1)	01/03-	Gasolina	RWD	2429	108	147	10.01-09.04		■
3.7 4x4 (EKG)	01/03-	Gasolina	4WD	3698	155	211	09.01-01.08		■
3.7 4x4 (EKG)	01/05-	Gasolina	4WD	3700	150	204	08.03-01.08		■
3.7 Laredo (EKG)	01/03-	Gasolina	RWD	3700	150	204	10.01-09.04		■
3.7 4x4 (EKG)		Gasolina	4WD	3700	157	214	09.01-10.07		■
2.5 CRD 4x4 (R 425 DOHC)	01/03-	Diesel	4WD	2499	105	143	09.01-01.08		■
2.8 CRD 4x4 (ENR)	01/05-	Diesel	4WD	2776	110	150	11.02-01.08		■
2.8 CRD 4x4 (ENR)	01/05-	Diesel	4WD	2776	120	163	11.04-01.08		■
WRANGLER II (TJ) 08.96-12.08						Open Off-Road Vehicle (Mini SUV-J Segment)			
2.4 (ED1)	01/03-	Gasolina	4WD	2429	105	143	11.02-04.07		■
2.5 (P00)	10/02-	Gasolina	4WD	2464	87	118	08.96-04.07		■
3.8		Gasolina	FWD	3778	153	208	02.06-12.08		■
3.8 Rubicon Tracción trasera		Gasolina	FWD	3778	153	208	03.06-04.07		■
4.0 (S01)	10/02-	Gasolina	4WD	3960	130	177	08.96-04.07		■
4.0	10/02-	Gasolina	4WD	3964	124	169	06.98-04.07		■
4.0 Rubicon (ERH)		Gasolina	4WD	3964	128	174	08.03-04.07		■
4.0 (ERH)		Gasolina	4WD	3964	130	177	08.96-04.07		■
WRANGLER III (JK) 06.06-						Open Off-Road Vehicle (Mini SUV-J Segment)			
2.8 CRD RWD		Diesel	RWD	2776	130	177	04.07-02.10		■