

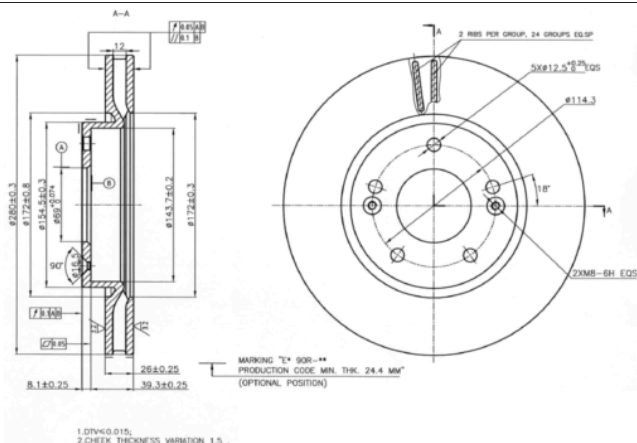
# LISTA DE APLICACIONES - BUYERS GUIDE

## 78BD5158-2



Weight: 13.320

O.E.M.	MAKE
517121H100	KIA
517121M000	KIA
517122K100	KIA



## 78BD5158-2



Ø280x26x47.4

MAKE
HYUNDAI
HYUNDAI (BEIJING)
JAC
KIA
KIA (DYK)



Trac.	CC	Kw	CV	Hourglass icon	Front / Rear car icon
-------	----	----	----	----------------	-----------------------

### HYUNDAI

COUPE II / TIBURON / TUSCANI (GK) 01.01-12.12						Coupe (Compact car-C Segment)			
2.7 V6 (G6BA)		Gasolina	FWD	2656	121	165	01.01-08.09	■	
i30 (FD) 10.07-06.12						Estate (Compact car-C Segment)			
1.4 (G4FA)	Rim 15	Gasolina	FWD	1396	77	105	10.07-06.12	■	
1.4 (G4FA)	Rim 15	Gasolina	FWD	1396	80	109	11.09-06.12	■	
1.6 (G4FC)	Rim 15	Gasolina	FWD	1591	85	116	02.08-06.12	■	
1.6 (G4FC)	Rim 15	Gasolina	FWD	1591	90	122	02.08-06.12	■	
1.6 (G4FC)	Rim 15	Gasolina	FWD	1591	93	126	02.08-06.12	■	
2.0 (G4GC)	Rim 15	Gasolina	FWD	1975	105	143	02.08-06.12	■	
1.6 CRDI (D4FB)	Rim 15	Diesel	FWD	1582	66	90	02.08-06.12	■	
1.6 CRDI (D4FB)	Rim 15	Diesel	FWD	1582	94	128	01.10-06.12	■	
2.0 CRDi (D4EA)	Rim 15	Diesel	FWD	1991	100	136	10.08-06.12	■	
2.0 CRDi (D4EA)	Rim 15	Diesel	FWD	1991	103	140	02.08-06.12	■	
i30 (FD) 10.07-07.12						Hatchback (Compact car-C Segment)			
1.4 (G4FA)	Rim 15	Gasolina	FWD	1396	77	105	10.07-11.11	■	
1.4 (G4FA)	Rim 15	Gasolina	FWD	1396	80	109	10.07-11.11	■	
1.6 (G4FC)	Rim 15	Gasolina	FWD	1591	85	116	10.07-11.11	■	
1.6 (G4FC)	Rim 15	Gasolina	FWD	1591	90	122	10.07-11.11	■	
1.6 (G4FC)	Rim 15	Gasolina	FWD	1591	93	126	02.08-11.11	■	
2.0 (G4GC)	Rim 15	Gasolina	FWD	1975	105	143	10.07-11.11	■	
1.4 LPG (G4FA)	Rim 15	Gasol./Gas (LPG)	FWD	1396	80	109	01.09-11.11	■	
1.6 CRDI (D4FB)	Rim 15	Diesel	FWD	1582	66	90	10.07-11.11	■	
1.6 CRDi VGT (D4FB)	Rim 15	Diesel	FWD	1582	81	110	10.07-11.11	■	

# LISTA DE APLICACIONES - BUYERS GUIDE

1.6 CRDI (D4FB)	Rim 15	Diesel	FWD	1582	85	116	10.07-11.11	■	
1.6 CRDI (D4FB)	Rim 15	Diesel	FWD	1582	94	128	01.10-11.11	■	
2.0 CRDi (D4EA)	Rim 15	Diesel	FWD	1991	100	136	10.07-11.11	■	
2.0 CRDi (D4EA)	Rim 15	Diesel	FWD	1991	103	140	10.07-11.11	■	
<b>i30 II (GDE) 06.12-</b>							<b>Hatchback Van (Compact car-C Segment)</b>		
1.6 GDI (G4FD)	Rim 15	Gasolina	FWD	1591	99	135	05.15-	■	
<b>i30 II (GD) 06.11-</b>							<b>Hatchback (Compact car-C Segment)</b>		
1.6 (G4FC)	Rim 15	Gasolina	FWD	1591	88	120	01.12-12.16	■	
1.6 (G4FC)	Rim 15	Gasolina	FWD	1591	95	129	12.11-12.15	■	
1.6 GDI (G4FD)	Rim 15	Gasolina	FWD	1591	99	135	12.11-12.16	■	
1.8	Rim 15	Gasolina	FWD	1797	107	146	08.13-	■	
1.8 (G4NB)	Rim 15	Gasolina	FWD	1797	110	150	01.12-	■	
<b>ix20 (JC) 11.10-</b>							<b>Hatchback (Mini MPV-M1 Segment)</b>		
1.4 (G4FA)		Gasolina	FWD	1396	66	90	11.10-07.19	■	
1.4 (G4FA)		Gasolina	FWD	1396	74	100	11.10-07.19	■	
1.6 (G4FC)		Gasolina	FWD	1591	92	125	11.10-07.19	■	
1.4 LPG (G4FA)		Gasol./Gas (LPG)	FWD	1396	66	90	11.10-07.19	■	
1.6 LPG (G4FC)		Gasol./Gas (LPG)	FWD	1591	92	125	11.10-07.19	■	
1.4 CRDi (D4FC)		Diesel	FWD	1396	57	78	06.11-07.19	■	
1.4 CRDi (D4FC)		Diesel	FWD	1396	66	90	11.10-07.19	■	
1.6 CRDI (D4FB)		Diesel	FWD	1582	85	116	06.11-07.19	■	
1.6 CRDI (D4FB)		Diesel	FWD	1582	94	128	06.11-07.19	■	
<b>SONATA V / EMBERA V (NF) 08.04-11.14</b>							<b>Saloon (Executive car-E Segment)</b>		
2.0 VVTi GLS (G4KA)	Rim 15	Gasolina	FWD	1998	106	144	05.05-12.10	■	
2.0 CRDi (D4EA)	Rim 15	Diesel	FWD	1991	100	136	02.06-12.10	■	
2.0 CRDi (D4EA)	Rim 15	Diesel	FWD	1991	103	140	02.06-12.10	■	
<b>TIBURON II 01.01-12.08</b>							<b>Coupe (Compact car-C Segment)</b>		
2.0 CVVT (G4GC)		Gasolina	FWD	1975	105	143	10.06-12.08	■	
2.7 (G6BA)		Gasolina	FWD	2656	123	167	01.06-12.08	■	
<b>TUCSON (JM) 06.04-</b>							<b>SUV (Compact SUV-J Segment)</b>		
2.0 Alas 4 ruedas	Rim 15	Gasolina	FWD	1997	100	136	07.07-11.10	■	
2.7 (G6BA)	Rim 15	Gasolina	FWD	2656	129	175	08.04-12.09	■	
<b>HYUNDAI (BEIJING)</b>									
<b>i30 (FD) 07.09-12.14</b>							<b>Hatchback (Compact car-C Segment)</b>		
1.6		Gasolina	FWD	1591	89	121	07.09-	■	
2.0		Gasolina	FWD	1975	101	137	07.09-	■	
<b>ix25 (GC) 10.14-</b>							<b>Closed Off-Road Vehicle (Compact SUV-J Segment)</b>		
1.6		Gasolina	FWD	1591	91	125	10.14-	■	
2.0		Gasolina	FWD	1999	118	160	10.14-	■	
2.0		Gasolina	FWD	1999	118	160	10.14-	■	
<b>TUCSON (JM) 05.05-</b>							<b>Closed Off-Road Vehicle (Compact SUV-J Segment)</b>		
2.0		Gasolina	FWD	1975	104	140	05.05-	■	
2.0		Gasolina	FWD	1975	104	140	05.05-	■	
2.7		Gasolina	FWD	2656	129	173	05.05-	■	
<b>JAC</b>									

# LISTA DE APLICACIONES - BUYERS GUIDE

<b>REFINE S5 03.13-</b>					<b>SUV (Compact SUV-J Segment)</b>			
1.8 Turbo		Gasolina	FWD	1795	120	163	03.13-12.14	■
2.0 Turbo		Gasolina	FWD	1997	130	177	03.13-12.15	■
<b>KIA</b>								
<b>CARENS II / RONDO II (UN) 05.06-</b>					<b>MPV (Compact MPV-M1 Segment)</b>			
1.6 CVVT (G4FC)		Gasolina	FWD	1591	93	126	06.09-03.13	■
1.6 CVVT (G4FC)		Gasolina	FWD	1591	97	132	08.09-03.13	■
2.0 CVVT		Gasolina	FWD	1998	105	143	05.06-03.13	■
2.0 CVVT (G4KA)		Gasolina	FWD	1998	111	151	01.09-12.13	■
2.4 CVVT		Gasolina	FWD	2359	120	163	09.06-03.13	■
2.4 CVVT		Gasolina	FWD	2359	130	177	09.09-12.12	■
2.7		Gasolina	FWD	2656	136	185	09.06-12.08	■
2.7		Gasolina	FWD	2656	143	194	09.08-03.13	■
1.6 CRDi 110 (D4FB)		Diesel	FWD	1582	85	116	10.10-03.13	■
1.6 CRDi 128 (D4FB)		Diesel	FWD	1582	94	128	10.10-03.13	■
2.0 CRDi 115 (D4EA)		Diesel	FWD	1991	85	115	05.07-03.13	■
2.0 CRDi 135 (D4EA)		Diesel	FWD	1991	100	136	08.09-03.13	■
<b>CEE'D (ED) 12.06-12.12</b>					<b>Hatchback (Compact car-C Segment)</b>			
1.4 CVVT (G4FA)	Rim 15	Gasolina	FWD	1396	66	90	08.09-12.12	■
1.4 (G4FA)	Rim 15	Gasolina	FWD	1396	77	105	12.06-12.12	■
1.4 (G4FA)	Rim 15	Gasolina	FWD	1396	80	109	12.06-12.12	■
1.6 (G4FC)	Rim 15	Gasolina	FWD	1591	85	115	09.07-12.12	■
1.6 (G4FC)	Rim 15	Gasolina	FWD	1591	90	122	12.06-12.12	■
1.6 CVVT (G4FC)	Rim 15	Gasolina	FWD	1591	92	125	10.10-12.12	■
1.6 (G4FC)	Rim 15	Gasolina	FWD	1591	93	126	02.08-12.12	■
2.0 (G4GC)		Gasolina	FWD	1975	105	143	12.06-12.12	■
1.4 LPG (G4FA)	Rim 15	Gasol./Gas (LPG)	FWD	1396	64	87	06.11-04.12	■
1.4 LPG (G4FA)	Rim 15	Gasol./Gas (LPG)	FWD	1396	80	109	01.09-12.10	■
1.6 LPG (G4FC)	Rim 15	Gasol./Gas (LPG)	FWD	1591	87	118	06.11-12.11	■
1.6 LPG (G4FC)	Rim 15	Gasol./Gas (LPG)	FWD	1591	91	124	06.07-12.11	■
1.6 CRDi 90 (D4FB)	Rim 15	Diesel	FWD	1582	66	90	12.06-12.12	■
1.6 CRDi 115 (D4FB)	Rim 15	Diesel	FWD	1582	85	115	12.06-12.12	■
1.6 CRDi 128 (D4FB)	Rim 15	Diesel	FWD	1582	94	128	10.10-12.12	■
2.0 CRDi (D4EA)	Rim 15	Diesel	FWD	1991	100	136	06.07-12.12	■
2.0 CRDi 140 (D4EA)		Diesel	FWD	1991	103	140	09.07-12.12	■
<b>CEE'D SW (ED) 07.07-12.12</b>					<b>Estate (Compact car-C Segment)</b>			
1.4 CVVT (G4FA)	Rim 15	Gasolina	FWD	1396	66	90	07.09-12.12	■
1.4 (G4FA)	Rim 15	Gasolina	FWD	1396	77	105	10.10-12.12	■
1.4 (G4FA)	Rim 15	Gasolina	FWD	1396	80	109	09.07-12.12	■
1.6 (G4FC)	Rim 15	Gasolina	FWD	1591	85	115	09.07-11.12	■
1.6 (G4FC)	Rim 15	Gasolina	FWD	1591	90	122	09.07-12.12	■
1.6 CVVT (G4FC)	Rim 15	Gasolina	FWD	1591	92	125	06.09-12.12	■
1.6 (G4FC)	Rim 15	Gasolina	FWD	1591	93	126	09.07-12.12	■
2.0 (G4GC)		Gasolina	FWD	1975	105	143	09.07-12.12	■
1.4 LPG (G4FA)	Rim 15	Gasol./Gas (LPG)	FWD	1396	64	87	06.11-04.12	■
1.4 LPG (G4FA)	Rim 15	Gasol./Gas (LPG)	FWD	1396	80	109	01.09-12.10	■

# LISTA DE APLICACIONES - BUYERS GUIDE

1.6 LPG (G4FC)		Gasol./Gas (LPG)	FWD	1591	91	124	01.08-09.12	■	
1.6 CRDi 90 (D4FB)	Rim 15	Diesel	FWD	1582	66	90	09.07-12.12	■	
1.6 CRDi 115 (D4FB)	Rim 15	Diesel	FWD	1582	85	115	09.07-12.12	■	
1.6 CRDi 128 (D4FB)	Rim 15	Diesel	FWD	1582	94	128	10.10-12.12	■	
2.0 CRDi 140 (D4EA)		Diesel	FWD	1991	100	136	07.07-12.12	■	
2.0 CRDi 140 (D4EA)		Diesel	FWD	1991	103	140	07.07-12.12	■	
<b>CERATO II / FORTE II / K3 II (TD) 01.09-</b>							<b>Hatchback (Compact car-C Segment)</b>		
1.6 (G4FC)	Rim 15	Gasolina	FWD	1591	91	124	02.09-10.13	■	
2.0	Rim 15	Gasolina	FWD	1998	115	156	01.09-12.13	■	
2.4	Rim 15	Gasolina	FWD	2359	129	175	09.10-12.13	■	
<b>CERATO II / FORTE II / K3 II (TD) 01.09-</b>							<b>Saloon (Compact car-C Segment)</b>		
1.6 (G4FC)	Rim 15	Gasolina	FWD	1591	90	122	01.10-02.14	■	
1.6 CVVT (G4FC)	Rim 15	Gasolina	FWD	1591	91	124	02.09-06.13	■	
1.6 (G4FC)	Rim 15	Gasolina	FWD	1591	93	126	01.10-06.13	■	
1.6 GDI	Rim 15	Gasolina	FWD	1591	103	140	01.10-06.13	■	
2.0 CVVT (G4KD)	Rim 15	Gasolina	FWD	1998	110	150	07.09-06.13	■	
2.0 (G4KD)	Rim 15	Gasolina	FWD	1998	115	156	01.09-06.13	■	
2.0	Rim 15	Gasolina	FWD	1998	116	158	07.10-	■	
1.6 Hybrid	Rim 15	Gasol./el éc.	FWD	1591	90	122	01.10-	■	
<b>CERATO II KOUP / FORTE KOUP / K3 (TD) 01.09-</b>							<b>Coupe (Compact car-C Segment)</b>		
1.6 CVVT (G4FC)	Rim 15	Gasolina	FWD	1591	91	124	10.09-06.13	■	
1.6 CVVT (G4FC)	Rim 15	Gasolina	FWD	1591	93	126	01.10-06.13	■	
1.6 GDI	Rim 15	Gasolina	FWD	1591	103	140	01.10-06.13	■	
2.0 CVVT (G4KD)	Rim 15	Gasolina	FWD	1998	115	156	01.09-06.13	■	
2.0 CVVT	Rim 15	Gasolina	FWD	1998	118	160	09.12-02.14	■	
2.4	Rim 15	Gasolina	FWD	2359	129	175	09.10-12.13	■	
<b>CERATO III / FORTE III / K3 (YD) 09.12-</b>							<b>Saloon (Compact car-C Segment)</b>		
2.0 MPi (G4KD)		Gasolina	FWD	1997	110	150	06.13-12.16	■	
<b>CERATO III KOUP / K3 KOUP (YD) 12.13-</b>							<b>Coupe (Compact car-C Segment)</b>		
2.0 MPi		Gasolina	FWD	1998	110	150	12.13-	■	
<b>FORTE II (U.S.A.) 09.09-</b>							<b>Coupe (Compact car-C Segment)</b>		
2.4	Rim 15	Gasolina	FWD	2359	127	173	09.09-	■	
<b>MAGENTIS II / OPTIMA / LOTZE (MG U.S.A.) 09.05-12.09</b>							<b>Saloon (Executive car-E Segment)</b>		
2.4	Rim 15	Gasolina	FWD				09.06-	■	
1.8	Rim 15	Gasolina	FWD	1795	97	132	10.05-11.10	■	
2.0 (G4KD)		Gasolina	FWD	1998	121	165	09.09-12.10	■	
2.4 (G4KC)		Gasolina	FWD	2359	119	162	08.06-12.09	■	
2.4		Gasolina	FWD	2359	120	163	11.05-12.08	■	
2.7 V6 (G6EA)		Gasolina	FWD	2656	142	193	07.09-12.10	■	
2.0 BiFuel (G4KA)		Gasol./Gas (LPG)	FWD	1998	103	140	10.05-12.08	■	
2.0 CRDi (D4EA)		Diesel	FWD	1991	100	136	11.05-12.08	■	
2.0 CRDi (D4EA)		Diesel	FWD	1991	110	150	04.06-12.10	■	
<b>PRO CEE'D (ED) 02.08-02.13</b>							<b>Hatchback (Compact car-C Segment)</b>		
1.4 CVVT (G4FA)	Rim 15	Gasolina	FWD	1396	66	90	06.10-09.12	■	
1.4 (G4FA)	Rim 15	Gasolina	FWD	1396	77	105	02.08-09.12	■	
1.4 (G4FA)	Rim 15	Gasolina	FWD	1396	80	109	02.08-09.12	■	
1.6 CVVT (G4FC)	Rim 15	Gasolina	FWD	1591	85	116	02.08-09.12	■	

# LISTA DE APLICACIONES - BUYERS GUIDE

1.6 (G4FC)	Rim 15	Gasolina	FWD	1591	90	122	02.08-09.12	■	
1.6 CVVT (G4FC)	Rim 15	Gasolina	FWD	1591	92	125	10.10-02.13	■	
1.6 (G4FC)	Rim 15	Gasolina	FWD	1591	93	126	02.08-09.12	■	
2.0 (G4GC)	Rim 15	Gasolina	FWD	1975	105	143	02.08-09.12	■	
2.0 LPG (G4GC)	Rim 15	Gasol./Gas (LPG)	FWD	1975	105	143	01.09-12.09	■	
1.6 CRDi 90 (D4FB)	Rim 15	Diesel	FWD	1582	66	90	02.08-09.12	■	
1.6 CRDi 115 (D4FB)	Rim 15	Diesel	FWD	1582	85	115	02.08-09.12	■	
1.6 CRDi 128 (D4FB)	Rim 15	Diesel	FWD	1582	94	128	10.10-09.12	■	
2.0 CRDi 140 (D4EA)	Rim 15	Diesel	FWD	1991	103	140	02.08-09.12	■	
<b>SHUMA II / SPECTRA 01.10-</b>							<b>Coupe (Compact car-C Segment)</b>		
1.6	Rim 15	Gasolina	FWD	1591	90	122	07.13-12.14	■	
1.6	Rim 15	Gasolina	FWD	1591	91	124	01.10-12.11	■	
1.6 T-GDI	Rim 15	Gasolina	FWD	1591	150	204	02.14-	■	
2.0	Rim 15	Gasolina	FWD	1998	114	155	01.10-12.11	■	
2.0	Rim 15	Gasolina	FWD	1998	116	158	07.13-12.14	■	
2.0	Rim 15	Gasolina	FWD	1999	118	160	02.14-	■	
<b>SOUL (AM) 01.09-</b>							<b>Hatchback (Mini MPV-M1 Segment)</b>		
1.6 CVVT (G4FC)	Rim 15	Gasolina	FWD	1591	77	105	02.09-12.11	■	
1.6 (G4FC)	Rim 15	Gasolina	FWD	1591	91	124	09.09-12.14	■	
1.6 CVVT (G4FC)	Rim 15	Gasolina	FWD	1591	93	126	02.09-12.11	■	
1.6 CVVT (G4FC)	Rim 15	Gasolina	FWD	1591	95	129	06.11-12.14	■	
1.6 Flex	Rim 15	Gasolina	FWD	1591	96	130	01.11-	■	
1.6 GDI (G4FD)	Rim 15	Gasolina	FWD	1591	103	140	06.11-12.14	■	
2.0 (G4GC)	Rim 15	Gasolina	FWD	1975	106	144	09.09-12.11	■	
2.0	Rim 15	Gasolina	FWD	1999	122	166	02.09-12.14	■	
1.6 LPG (G4FC)	Rim 15	Gasol./Gas (LPG)	FWD	1591	87	118	06.11-12.14	■	
1.6 LPG (G4FC)	Rim 15	Gasol./Gas (LPG)	FWD	1591	92	125	02.09-12.11	■	
1.6 Flex	Rim 15	Gasol./Etanol	FWD	1591	94	128	01.11-12.14	■	
1.6 CRDi 115 (D4FB)	Rim 15	Diesel	FWD	1582	85	115	02.09-12.14	■	
1.6 CRDi 128 (D4FB)	Rim 15	Diesel	FWD	1582	94	126	02.09-12.14	■	
<b>SOUL II (PS) 02.14-</b>							<b>Hatchback (Mini MPV-M1 Segment)</b>		
1.6 CVVT (G4FG)	Rim 15	Gasolina	FWD	1591	91	124	02.14-12.18	■	
1.6 CVVT	Rim 15	Gasolina	FWD	1591	95	129	07.16-12.18	■	
1.6 GDI (G4FD)	Rim 15	Gasolina	FWD	1591	97	132	02.14-12.18	■	
1.6 TGDI	Rim 15	Gasolina	FWD	1591	150	204	11.16-12.18	■	
2.0 CVVT	Rim 15	Gasolina	FWD	1998	116	158	07.16-	■	
2.0 CVVT (G4NA)	Rim 15	Gasolina	FWD	1999	110	150	08.16-12.18	■	
2.0 CVVT (G4NA)	Rim 15	Gasolina	FWD	1999	113	154	02.14-12.18	■	
1.6 LPG (G4FG)	Rim 15	Gasol./Gas (LPG)	FWD	1591	87	118	12.14-12.18	■	
1.6 LPG (G4FG)	Rim 15	Gasol./Gas (LPG)	FWD	1591	96	131	12.14-12.18	■	
1.6 CVVT Flex	Rim 15	Gasol./Etanol	FWD	1591	94	128	09.14-05.20	■	
1.6 CRDi 128 (D4FB)	Rim 15	Diesel	FWD	1582	94	126	02.14-12.18	■	
1.6 CRDi 136 (D4FB)	Rim 15	Diesel	FWD	1582	100	136	04.15-12.18	■	
<b>SOUL III (SK3) 01.19-</b>							<b>Hatchback (Mini MPV-M1 Segment)</b>		
1.6 MPi (G4FG)		Gasolina	FWD	1591	91	124	01.19-	■	
2.0 MPi (G4NA)		Gasolina	FWD	1999	110	150	01.19-	■	
2.0 MPi (G4NH)		Gasolina	FWD	1999	110	150	01.19-	■	

# LISTA DE APLICACIONES - BUYERS GUIDE

<b>SPORTAGE II (JE_, KM_) 09.04-</b>					<b>SUV (Compact SUV-J Segment)</b>			
2.0 (G4KD)		Gasolina	FWD	1998	122	166	01.09-05.10	■
<b>VENGA (YN) 02.10-</b>					<b>Hatchback Van (LCVs-N1 Segment)</b>			
CVVT (G4FA)		Gasolina	FWD	1396	66	90	04.15-	■
CVVT (G4FC)		Gasolina	FWD	1591	92	125	02.15-	■
CRDi (D4FC)		Diesel	FWD	1396	57	77	04.15-	■
CRDi (D4FC)		Diesel	FWD	1396	66	90	04.15-	■
<b>VENGA (YN) 02.10-</b>					<b>Hatchback (Mini MPV-M1 Segment)</b>			
1.4 CVVT (G4FA)		Gasolina	FWD	1396	66	90	02.10-03.19	■
1.6 CVVT (G4FC)		Gasolina	FWD	1591	92	125	02.10-03.19	■
1.4 LPG (G4FA)		Gasol./Gas (LPG)	FWD	1396	66	90	02.10-03.19	■
1.4 CRDi 75 (D4FC)		Diesel	FWD	1396	55	75	02.10-03.19	■
1.4 CRDi 75 (D4FC)		Diesel	FWD	1396	57	78	02.10-03.19	■
1.4 CRDi 90 (D4FC)		Diesel	FWD	1396	66	90	02.10-03.19	■
1.6 CRDi 115 (D4FB)		Diesel	FWD	1582	85	116	02.10-03.19	■
1.6 CRDi 128 (D4FB)		Diesel	FWD	1582	94	128	02.10-03.19	■
<b>KIA (DYK)</b>								
<b>SOUL 12.09-</b>					<b>Hatchback (Mini MPV-M1 Segment)</b>			
1.6		Gasolina	FWD	1591	91	124	12.09-	■
2.0		Gasolina	FWD	2000	105	143	12.09-	■